



US00D417497S

United States Patent [19]

Schroeter et al.

[11] Patent Number: **Des. 417,497**

[45] Date of Patent: **** Dec. 7, 1999**

[54] **GAS APPLIANCE VENT ADAPTER**

D. 346,020	4/1994	Kellogg et al.	D23/387
D. 358,204	5/1995	Ferrier	D23/314
5,357,686	10/1994	Jensen	34/169

[75] Inventors: **Wolfgang Schroeter**, Midhurst; **Cliff Lilley**, Anten Mills; **Roger Gripton**, Hillsdale; **John F. Kennedy**, Orillia, all of Canada

Primary Examiner—Mitchell Siegel
Attorney, Agent, or Firm—Merek & Voorhees

[73] Assignee: **Wolf Steel Limited**, Ontario, Canada

[57] **CLAIM**

[**] Term: **14 Years**

The ornamental design for a gas appliance vent adapter, as shown.

[21] Appl. No.: **29/083,762**

DESCRIPTION

[22] Filed: **Feb. 18, 1998**

FIG. 1 is a side elevational view of the gas appliance vent adapter;

[51] **LOC (6) Cl.** **23-99**

FIG. 2 is a top perspective view thereof;

[52] **U.S. Cl.** **D23/393**

FIG. 3 is a bottom perspective view thereof;

[58] **Field of Search** D23/342-350,
D23/386-393, 403; 126/4.6, 58, 60-66,
120, 121, 123, 126, 531; 34/169

FIG. 4 is a side elevational view a second embodiment of the gas appliance vent adapter as disclosed in FIG. 1;

FIG. 5 is a top perspective view of FIG. 4;

FIG. 6 is a bottom perspective view of FIG. 4;

[56] **References Cited**

U.S. PATENT DOCUMENTS

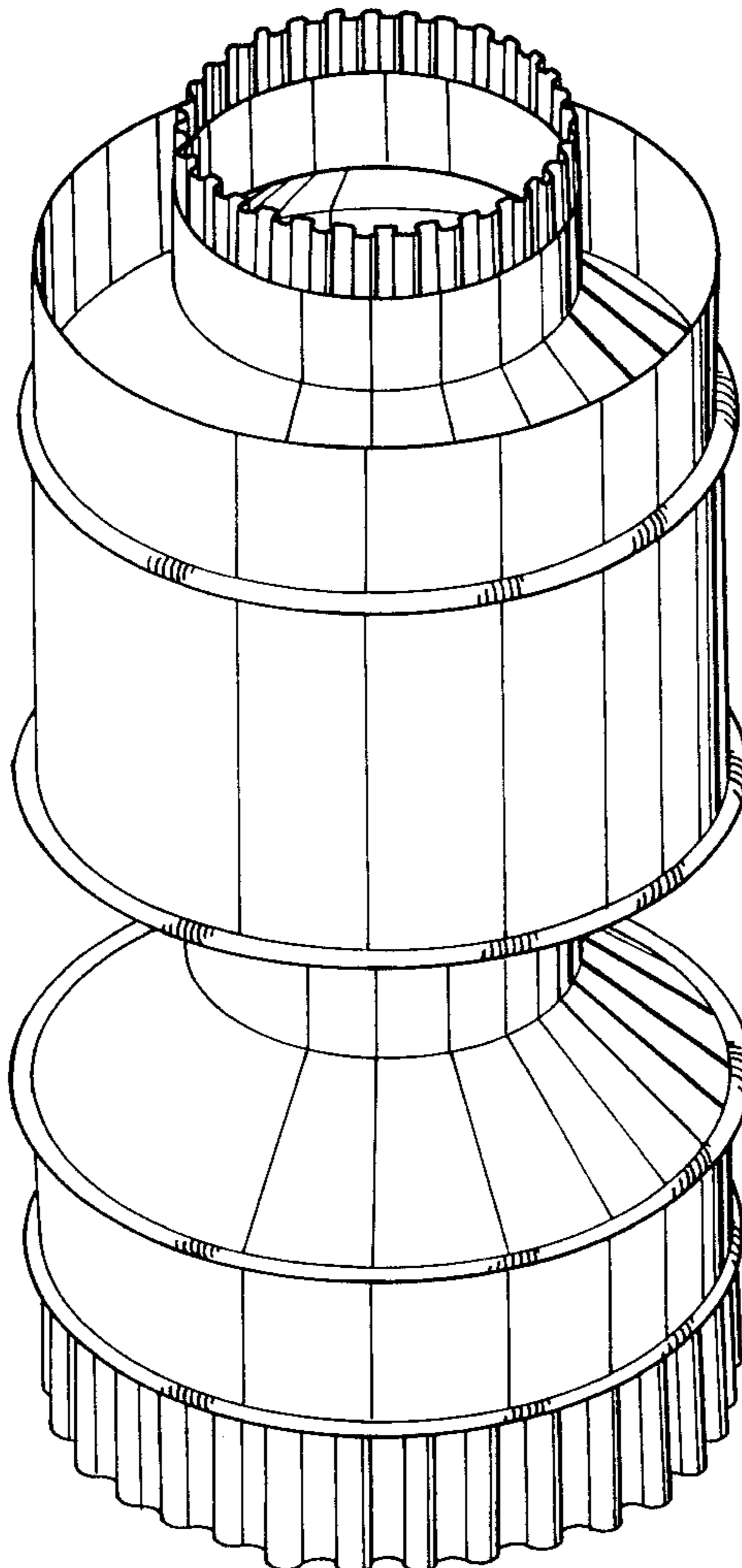
D. 264,499	5/1982	Lundy	D23/350
D. 271,238	11/1983	Valencia	D23/386
D. 300,076	2/1989	Evans	D23/403

FIG. 7 is a side elevational view a third embodiment of the gas appliance vent adapter as disclosed in FIG. 1;

FIG. 8 is a top perspective view of FIG. 7; and,

FIG. 9 is a bottom perspective view of FIG. 7.

1 Claim, 9 Drawing Sheets



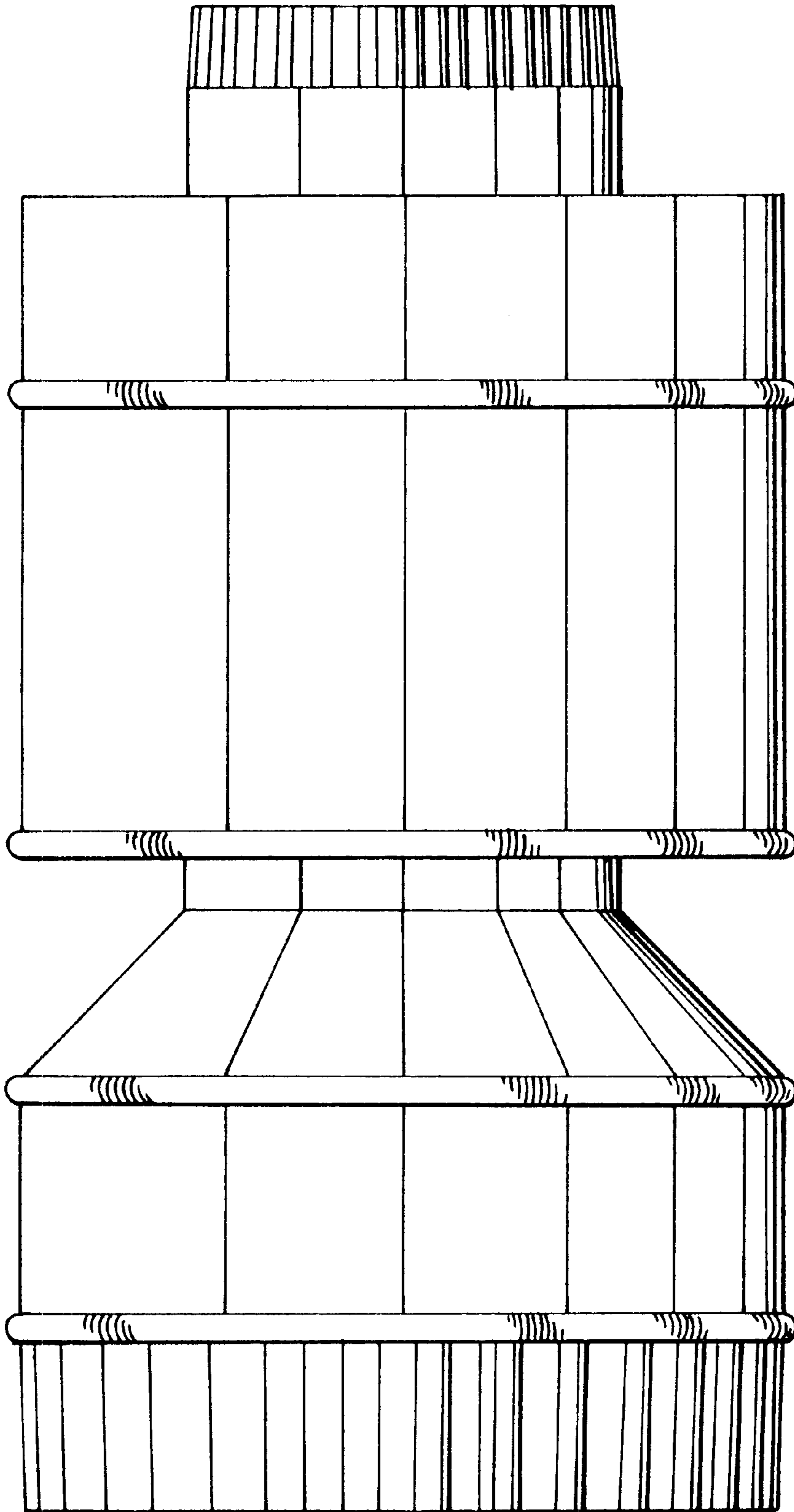


FIG. 1

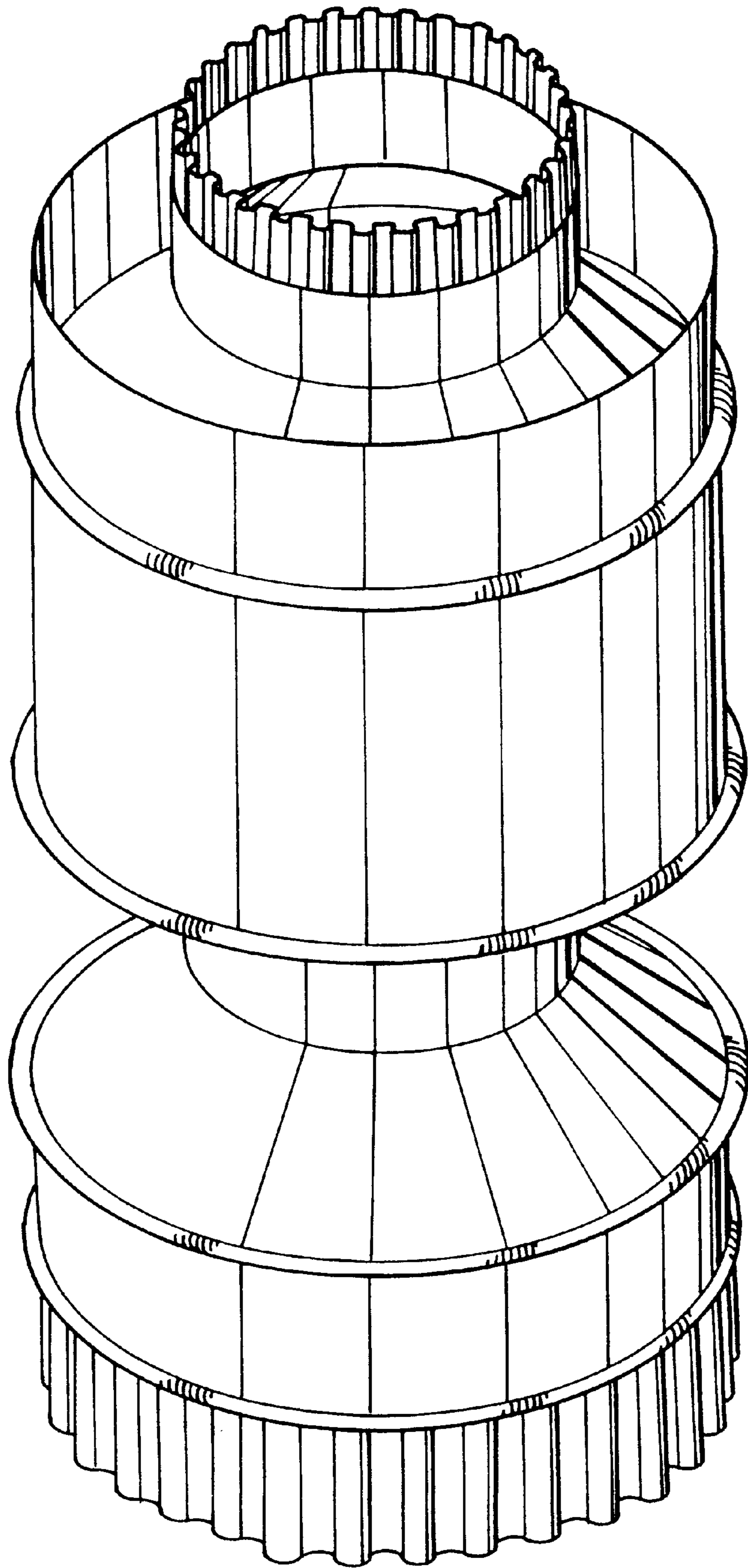


FIG. 2

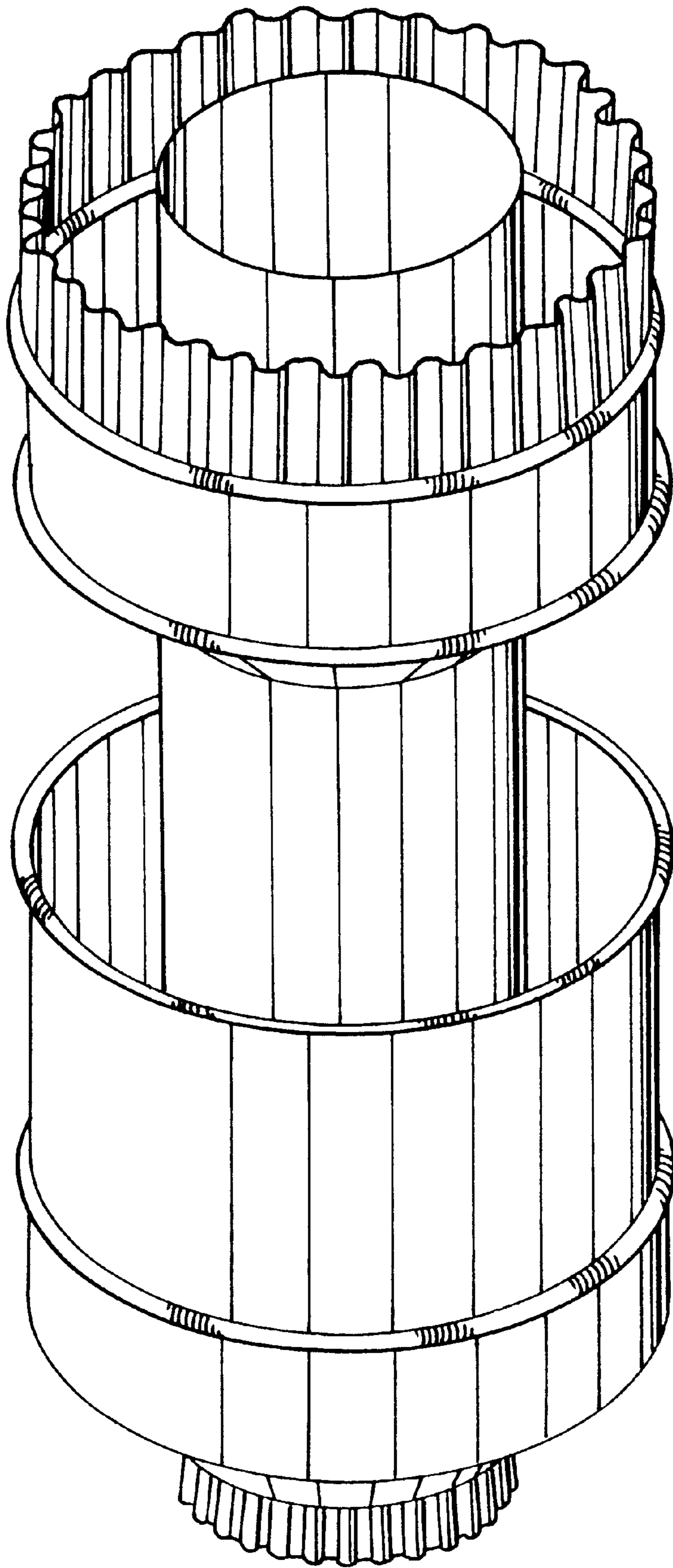


FIG. 3

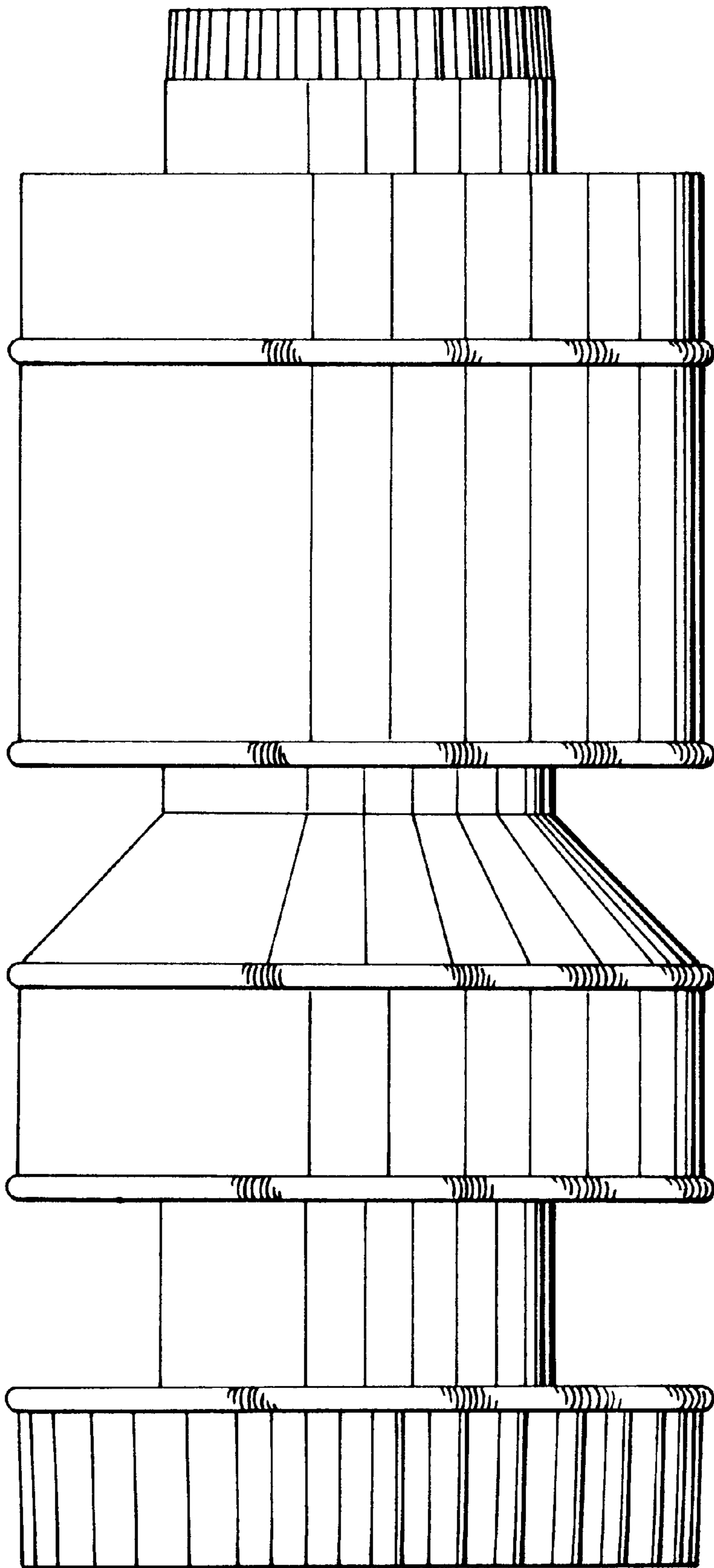


FIG. 4

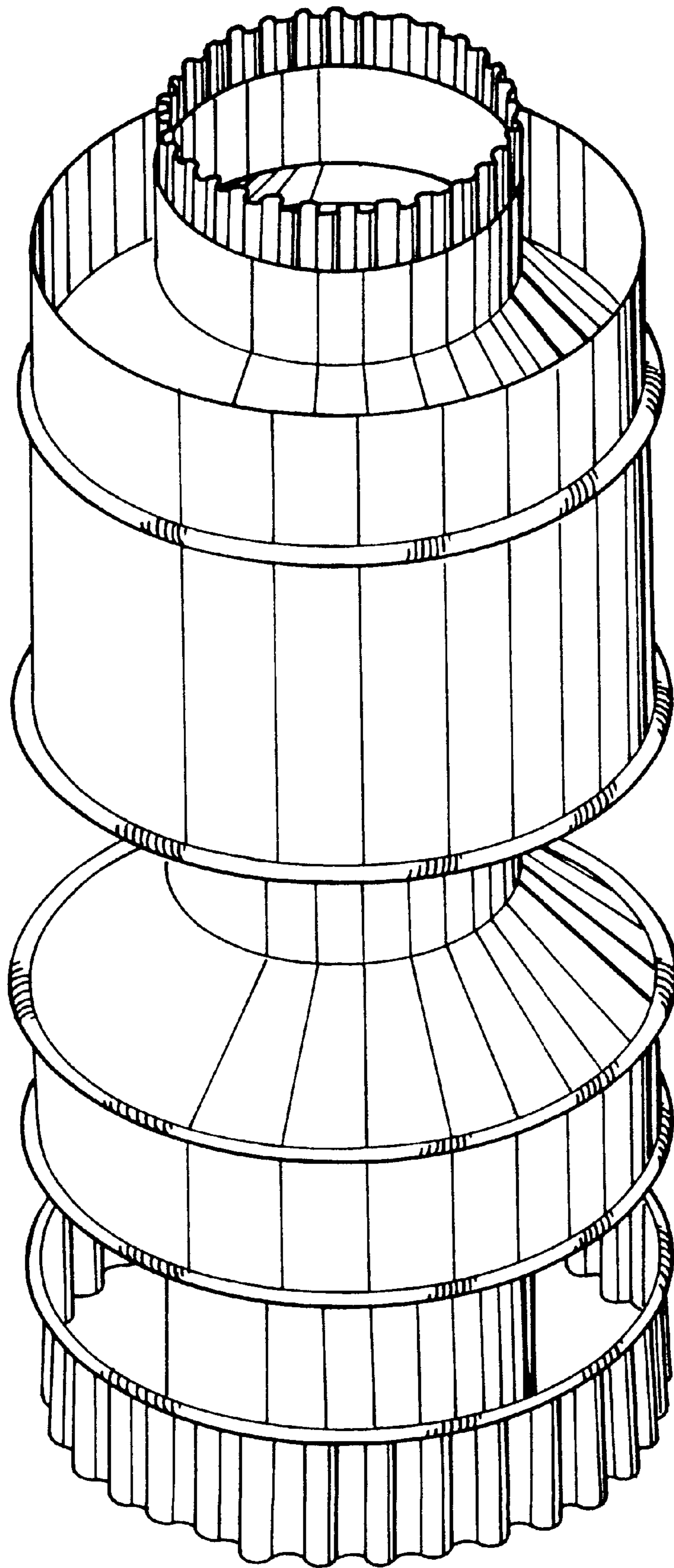


FIG.5

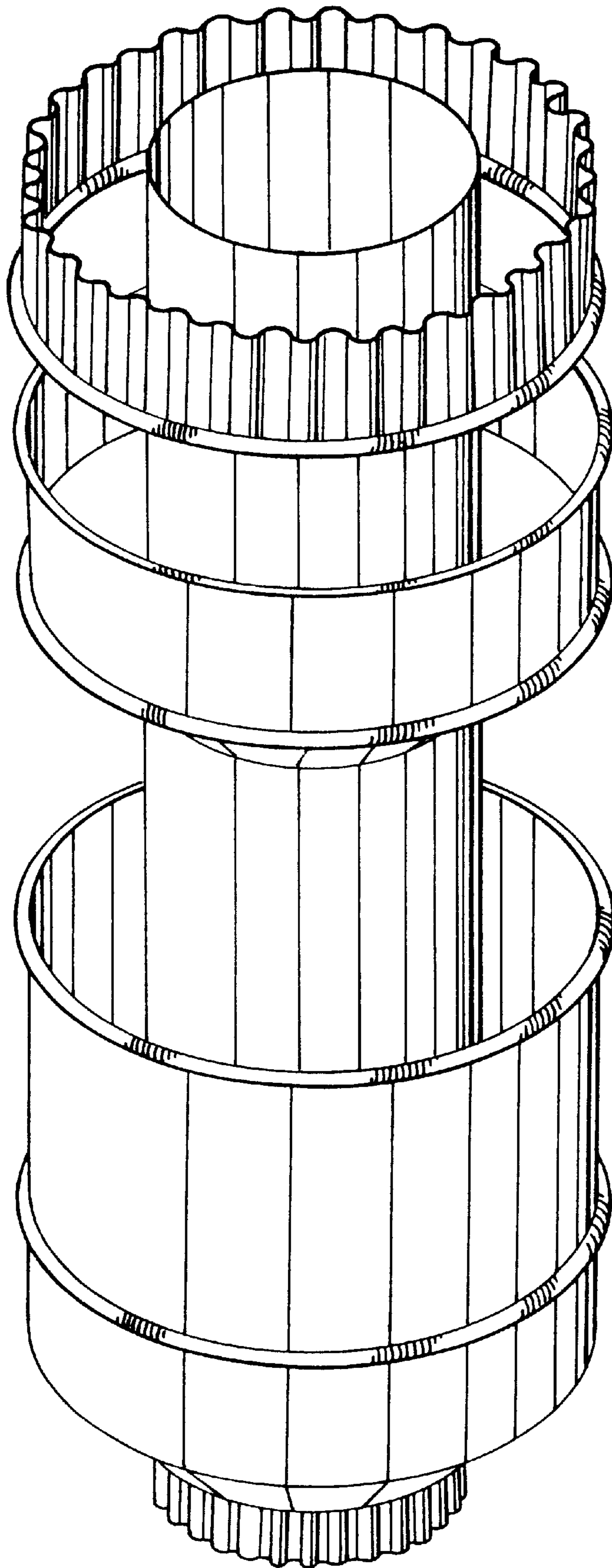


FIG.6

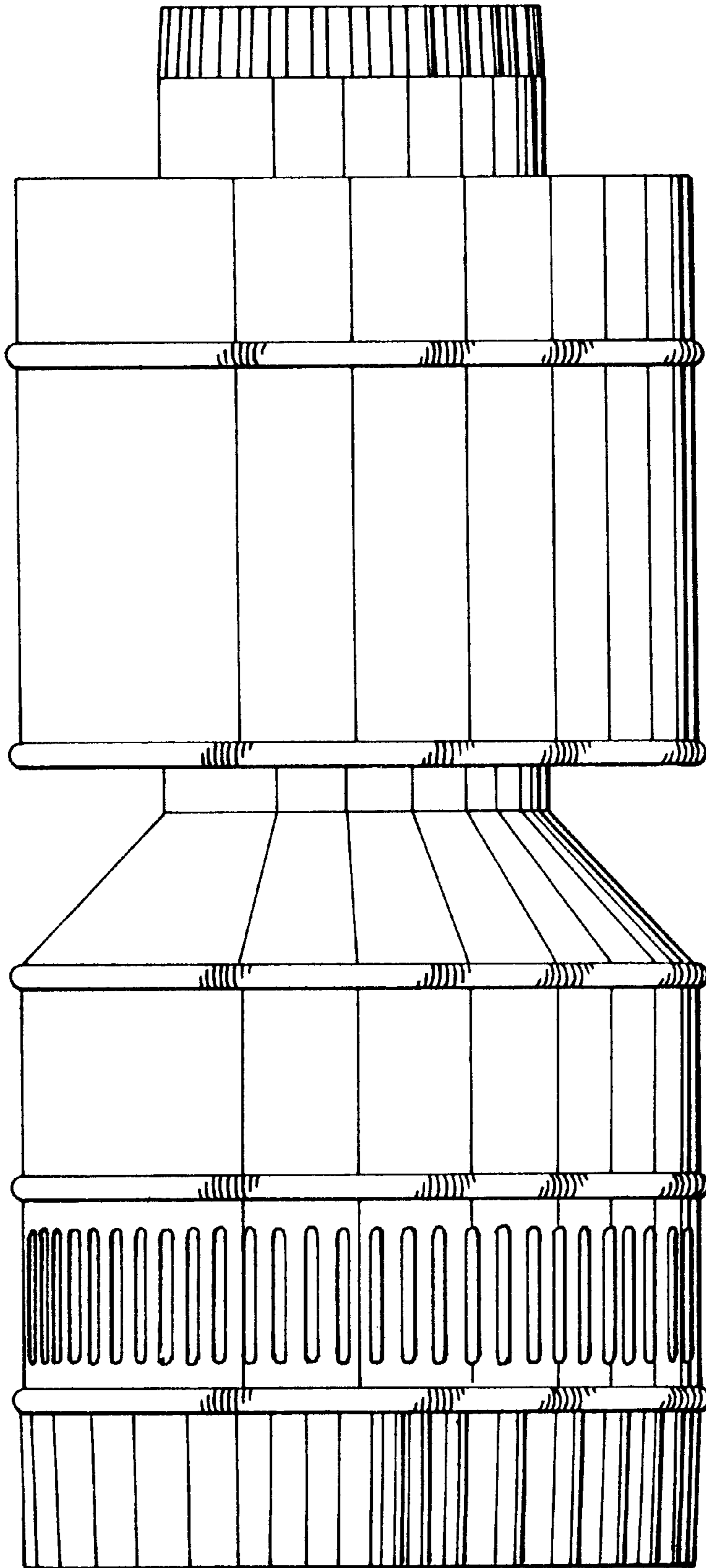


FIG.7

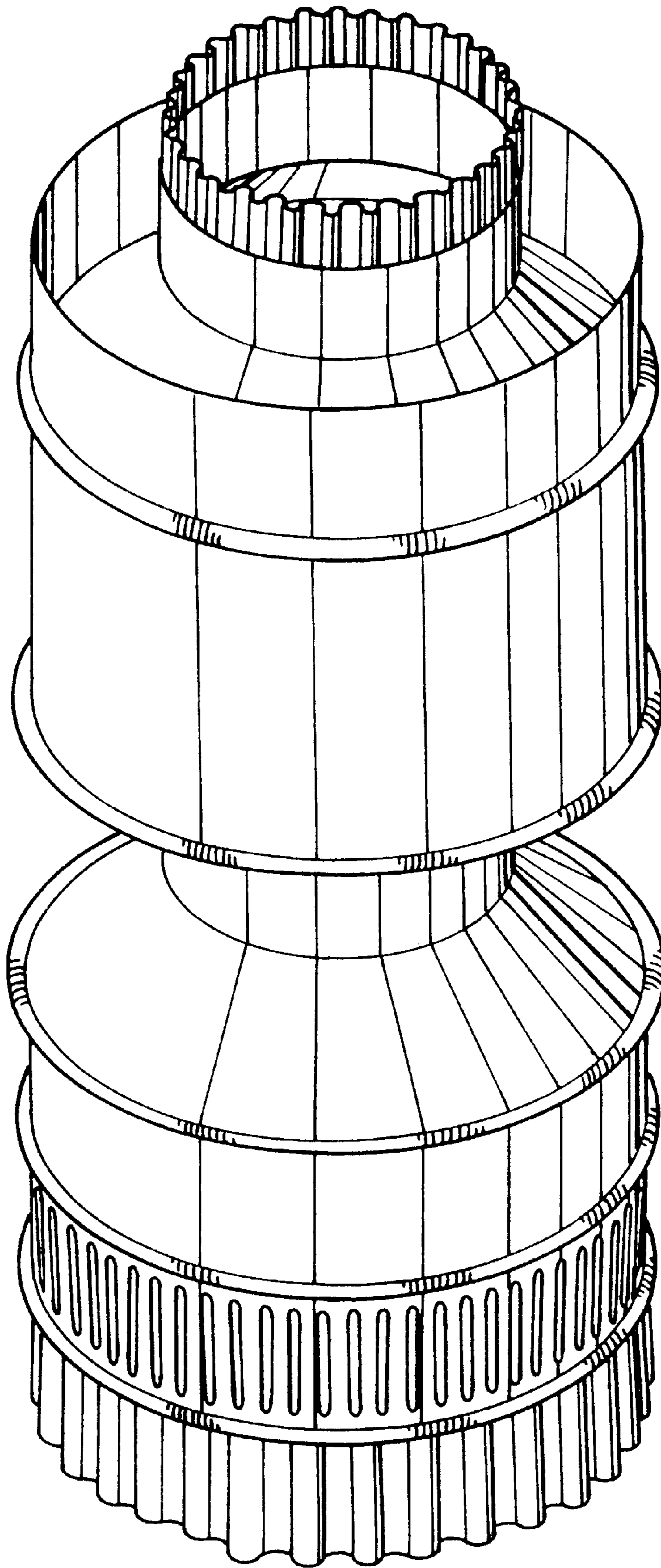


FIG.8

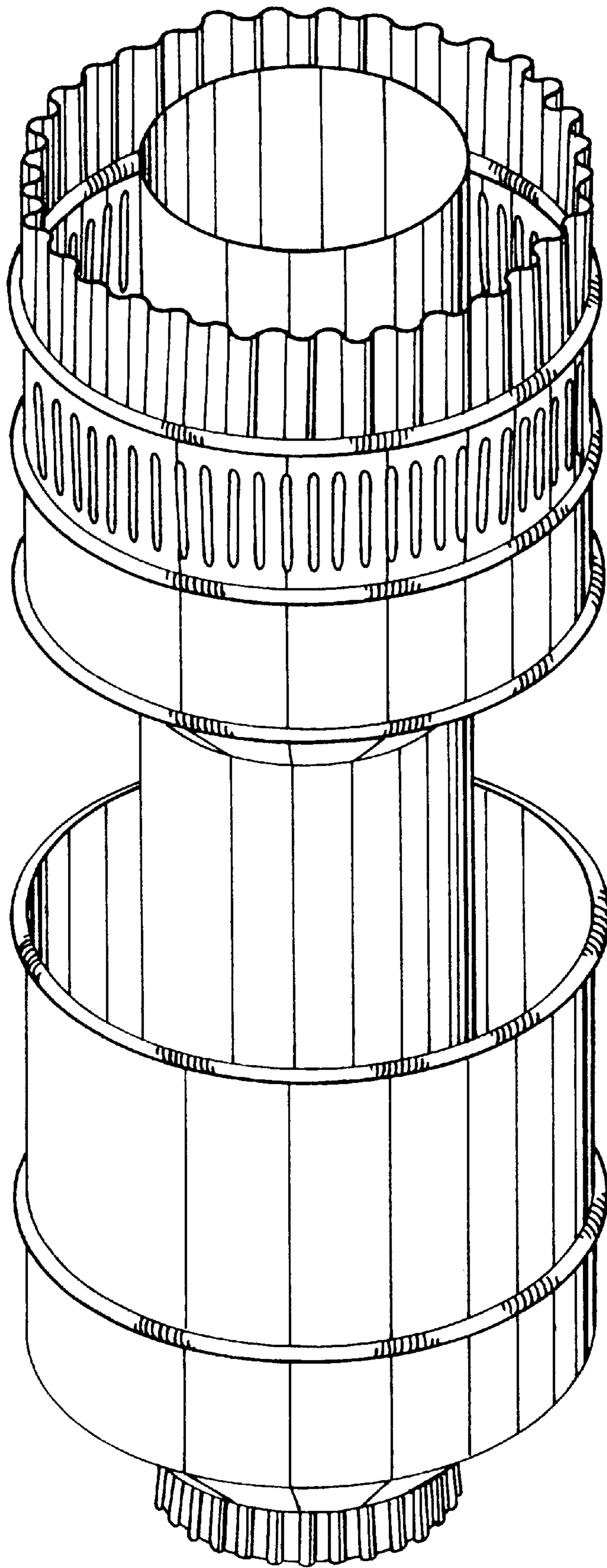


FIG. 9