



US00D417495S

United States Patent [19]
Yang

[11] **Patent Number: Des. 417,495**

[45] **Date of Patent: ** Dec. 7, 1999**

[54] **CEILING FAN**

[75] Inventor: **Burni W. Yang**, Buena Park, Calif.

[73] Assignee: **Sonica Fan Innovations Inc.**, Santa Fe Springs, Calif.

[**] Term: **14 Years**

[21] Appl. No.: **29/097,452**

[22] Filed: **Dec. 7, 1998**

[51] **LOC (6) Cl.** **23-04**

[52] **U.S. Cl.** **D23/377; D23/379; D23/385; D23/413**

[58] **Field of Search** **D23/377, 379, D23/385, 411, 413; 416/5; 392/364; 364/96; D26/51, 72, 73, 59, 81-86, 88**

[56] **References Cited**

U.S. PATENT DOCUMENTS

D. 233,060	10/1974	Feldman et al.	D26/59
D. 284,304	6/1986	Harber	D23/155
D. 337,156	7/1993	Jaeger	D23/377
D. 373,185	8/1996	Tseng	D23/377
D. 373,628	9/1996	DiSandro	D23/377
D. 375,156	10/1996	Tseng	D23/377
D. 376,641	12/1996	Bucher	D23/377
D. 382,636	8/1997	Yang	D23/377
D. 382,953	8/1997	Kuo	D23/377
D. 386,258	11/1997	Pearce et al.	D23/377
D. 390,649	2/1998	Pearce et al.	D23/377

D. 398,980	9/1998	Pearce	D23/377
4,592,702	6/1986	Bogage	416/247 R
4,671,739	6/1987	Read et al.	416/230

OTHER PUBLICATIONS

Advertisement page, Emerson Electric Company "Odyssey" fan design.

Advertisement page, Minka Aire "Solo" series fan design.

Primary Examiner—Lisa Lichtenstein
Attorney, Agent, or Firm—Sheldon & Mak

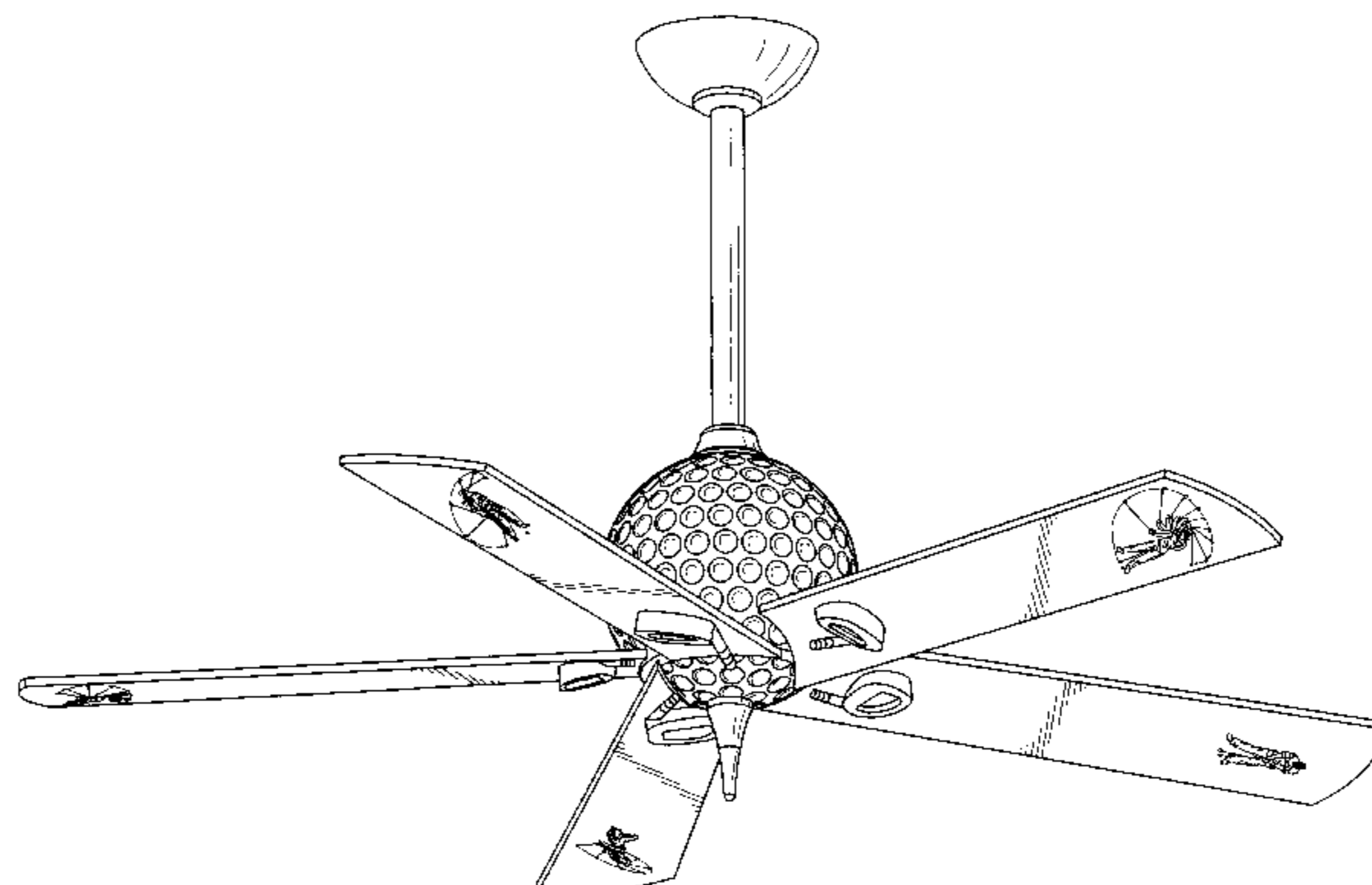
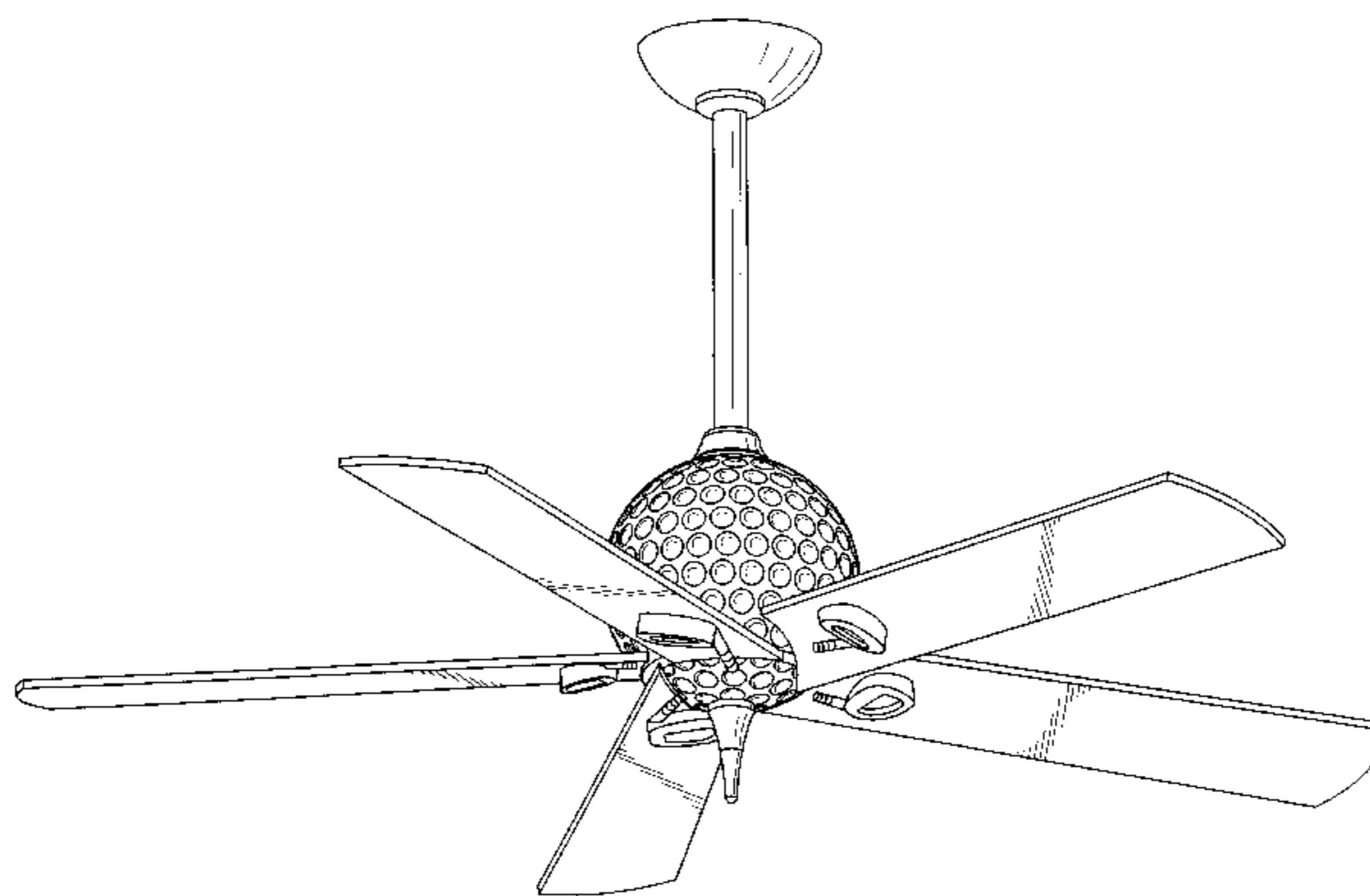
[57] **CLAIM**

The ornamental design for a ceiling fan, as shown and described.

DESCRIPTION

FIG. 1 is a perspective view of a first embodiment of the ceiling fan according to the present invention; FIG. 2 is a bottom plan view of the ceiling fan of FIG. 1; FIG. 3 is a side elevation view of the ceiling fan of FIG. 1, the other side being identical to that shown; FIG. 4 is a top plan view of the ceiling fan of FIG. 1; FIG. 5 is a perspective view of a second embodiment of the ceiling fan according to the present invention; FIG. 6 is a bottom plan view of the ceiling fan of FIG. 5; FIG. 7 is a side elevation view of the ceiling fan of FIG. 5, the other side being identical to that shown; and, FIG. 8 is a top plan view of the ceiling fan of FIG. 5.

1 Claim, 8 Drawing Sheets



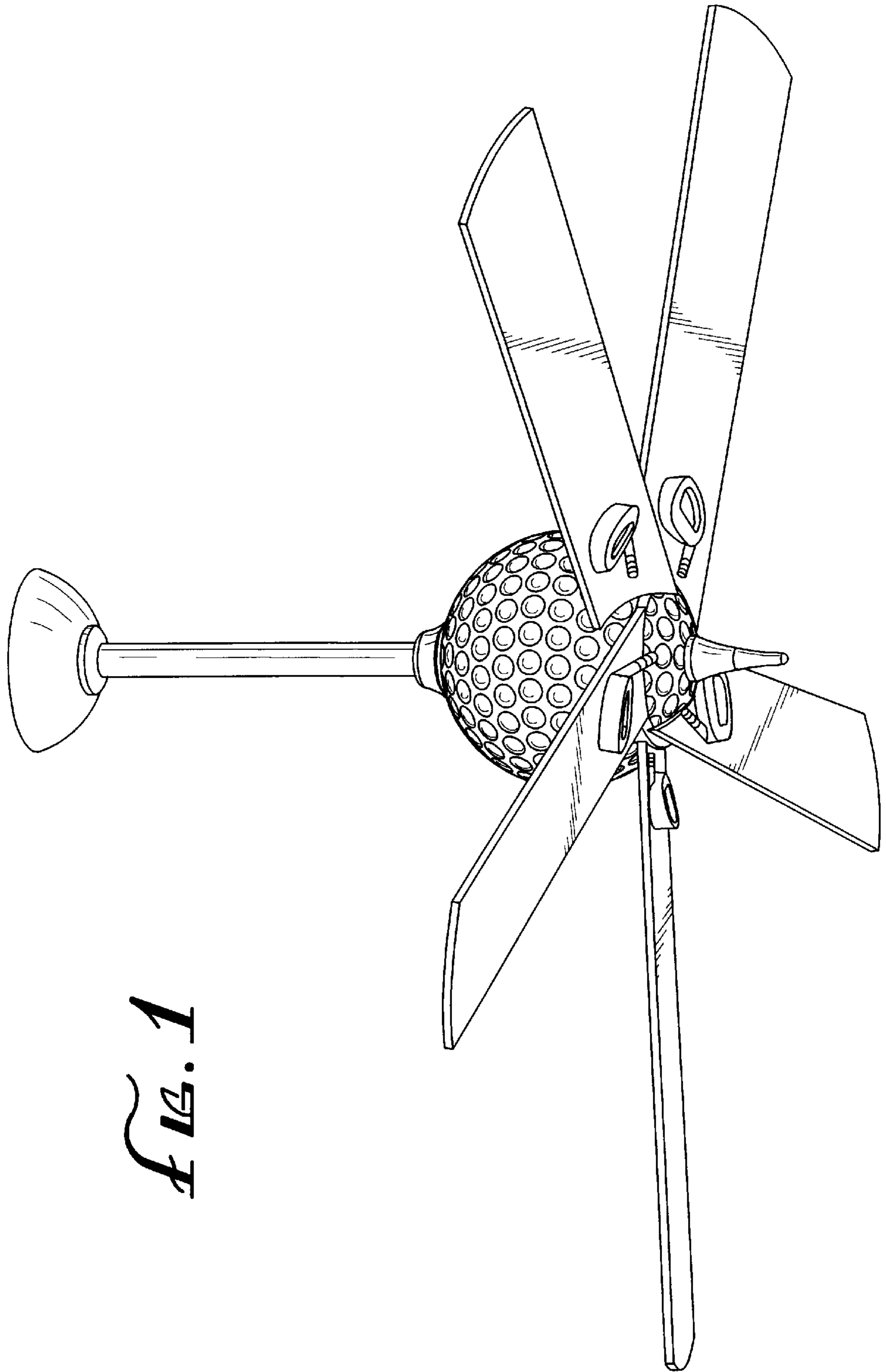


FIG. 1

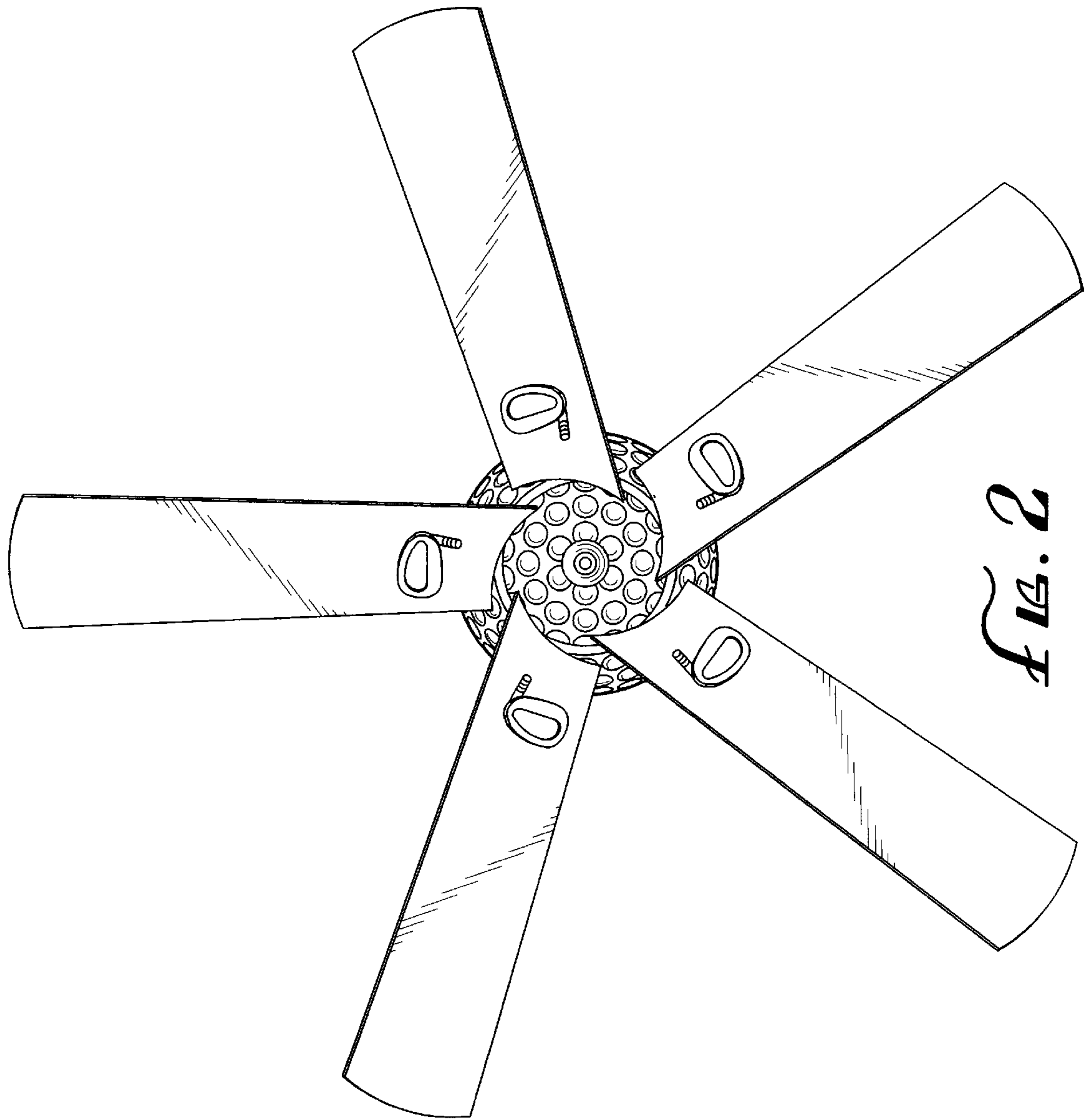


FIG. 2

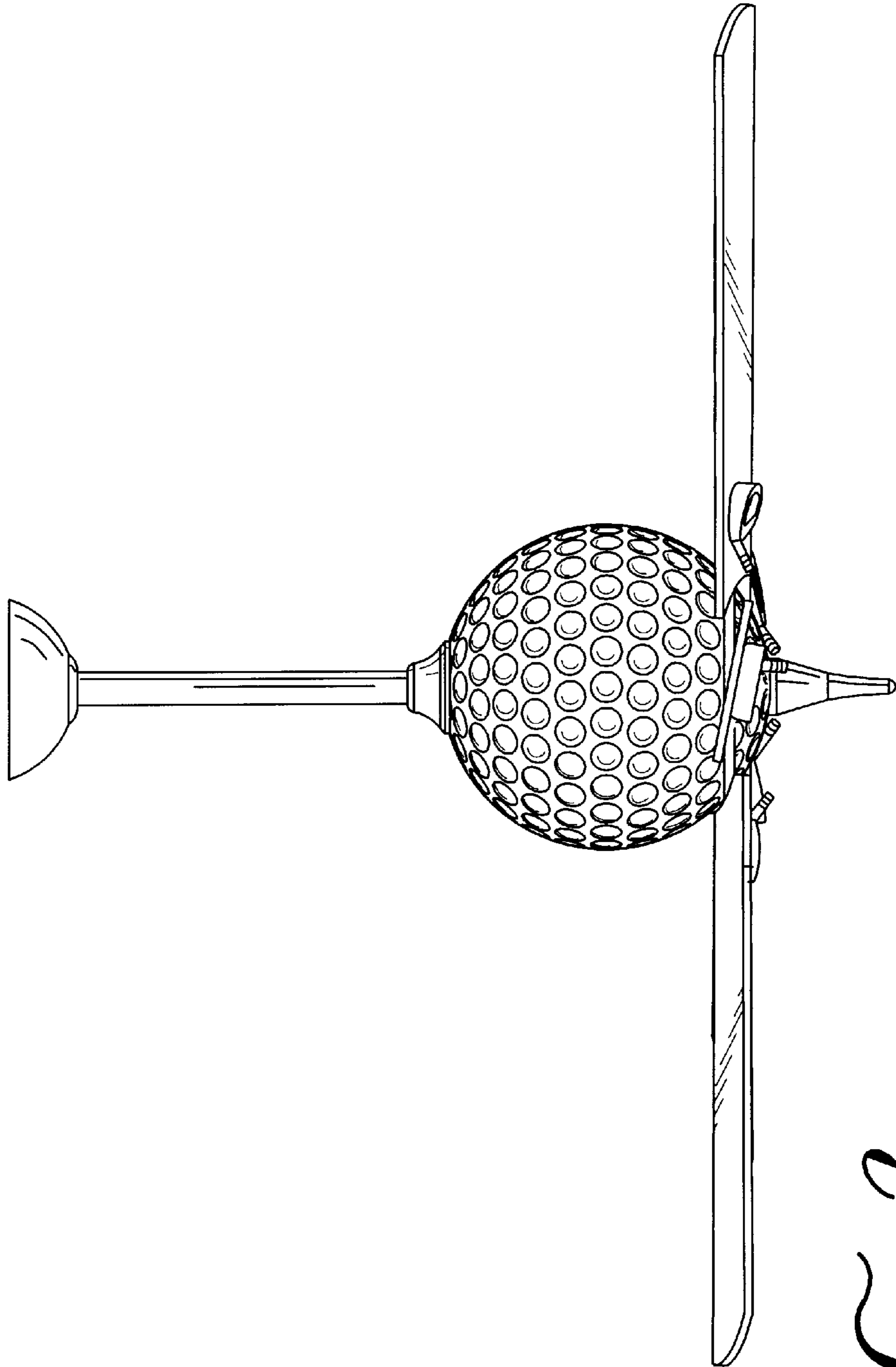


Fig. 3

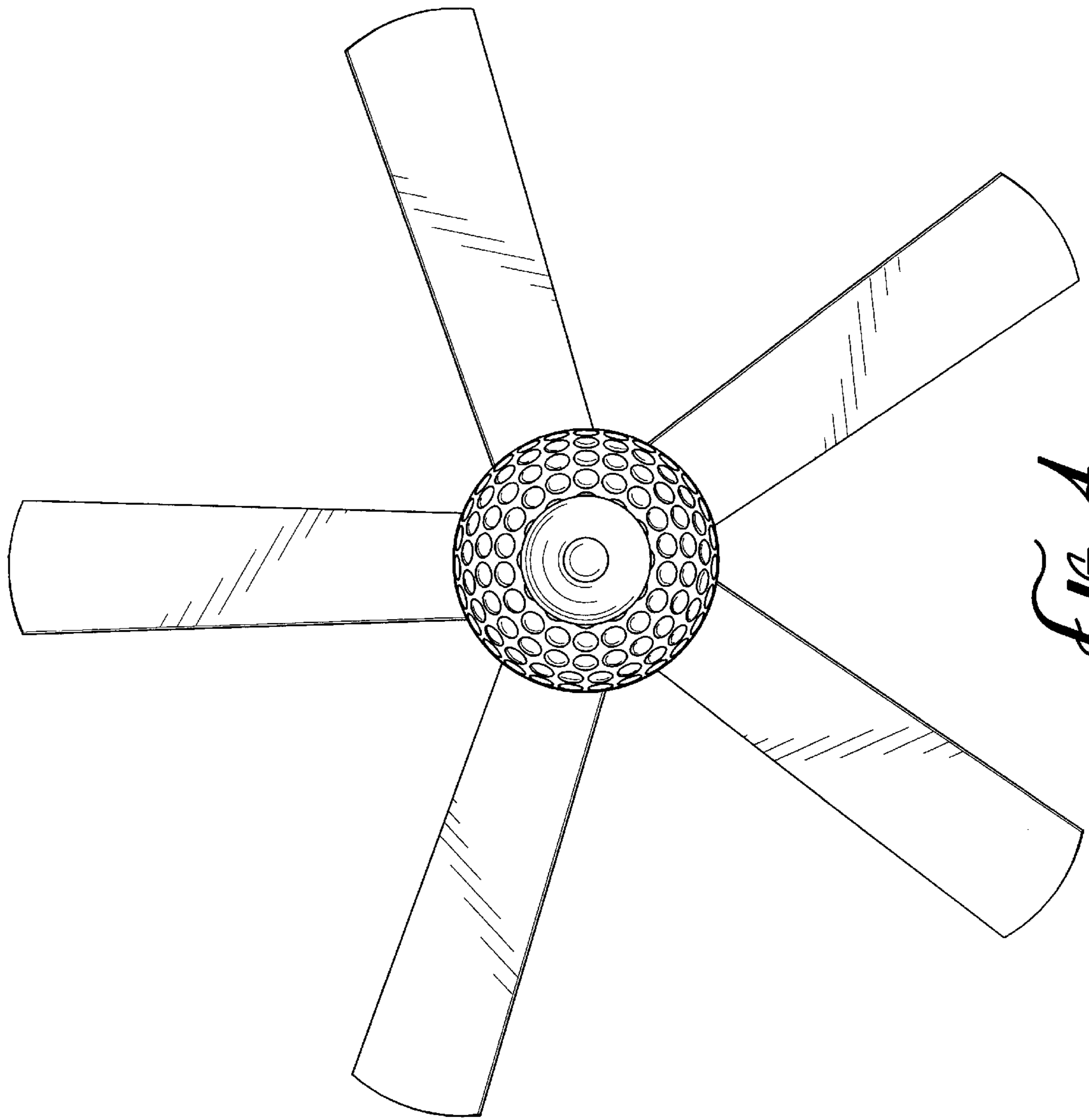


FIG. 4

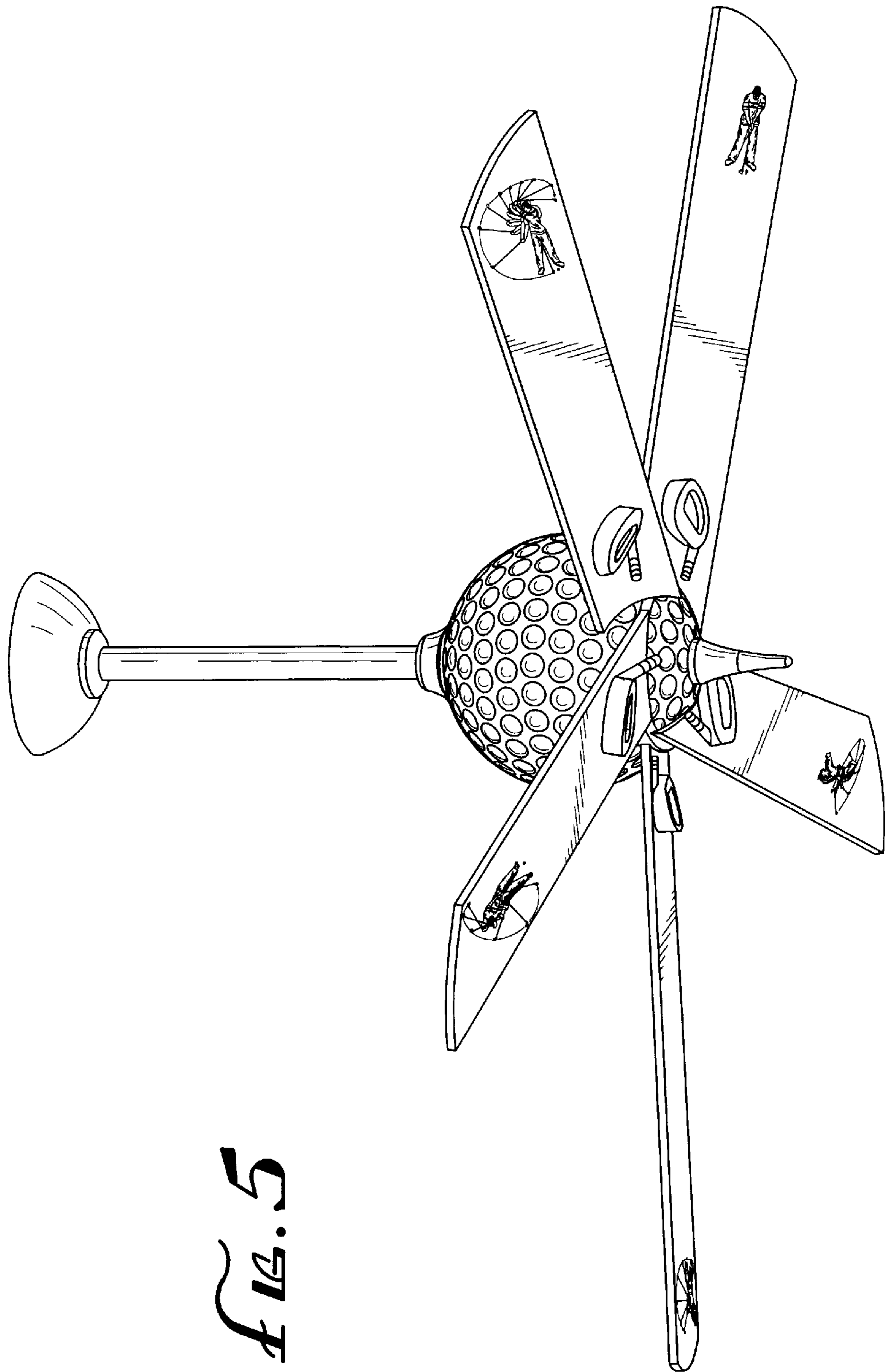


Fig. 5

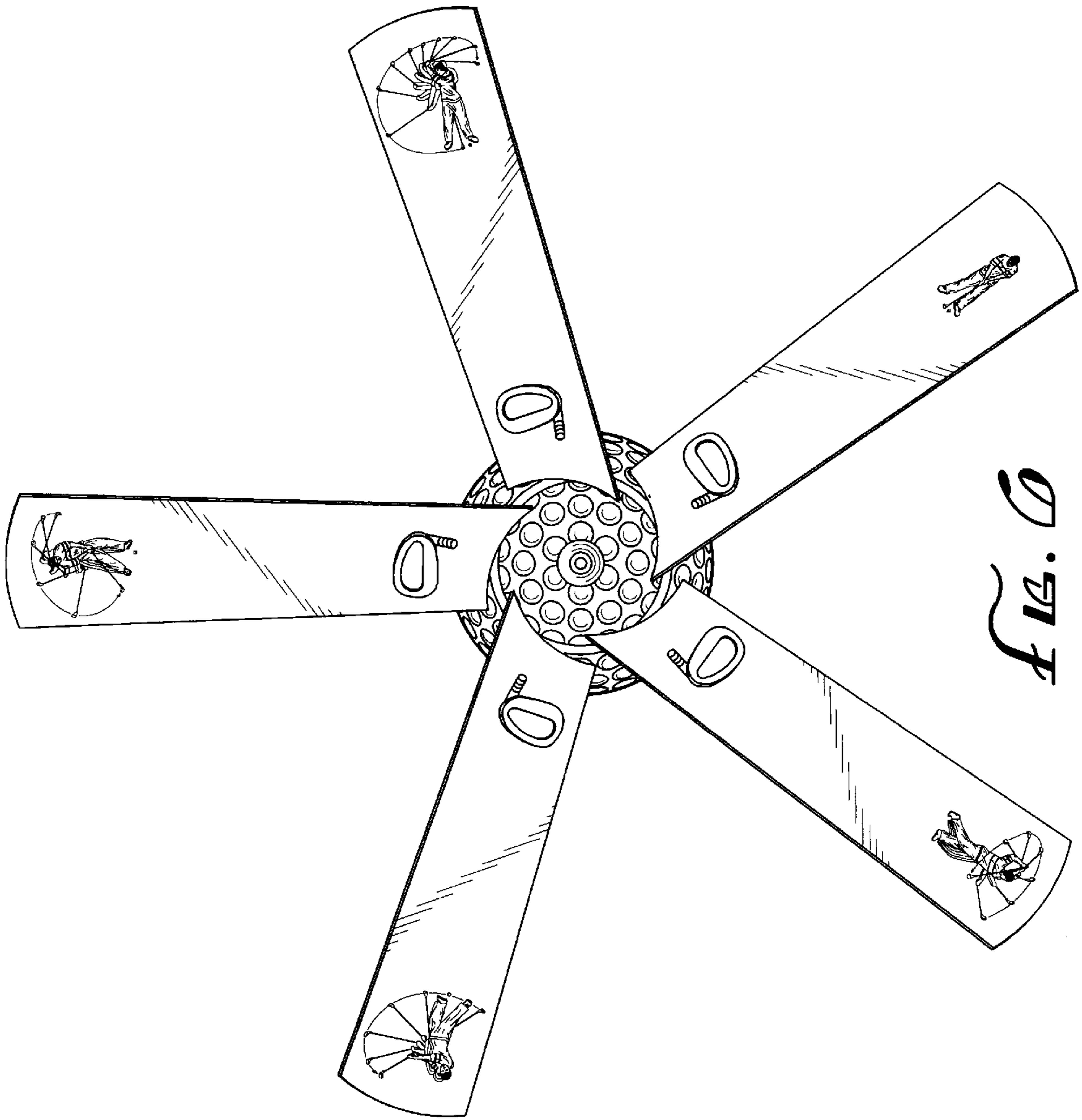


FIG. 6

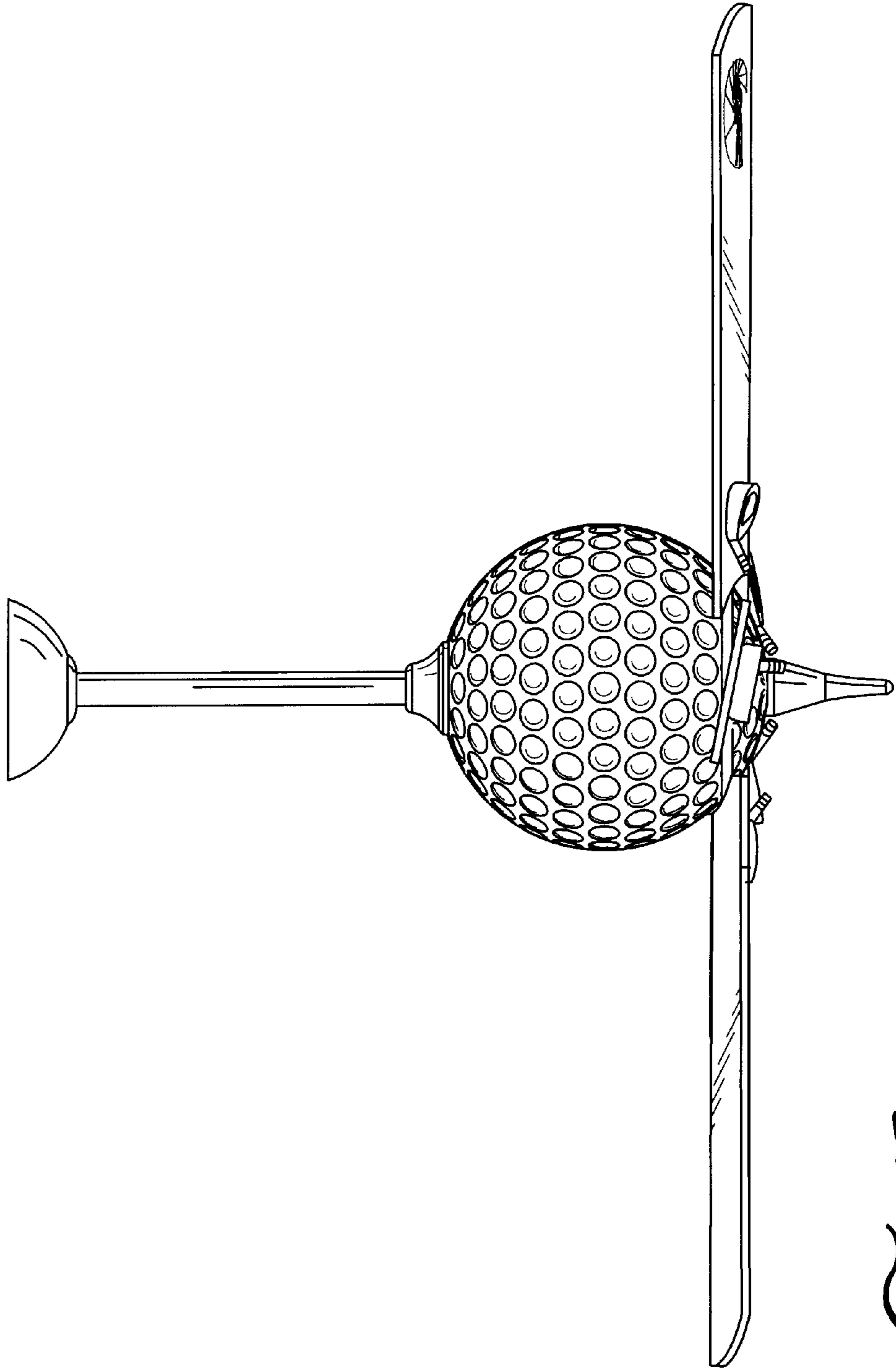


Fig. 7

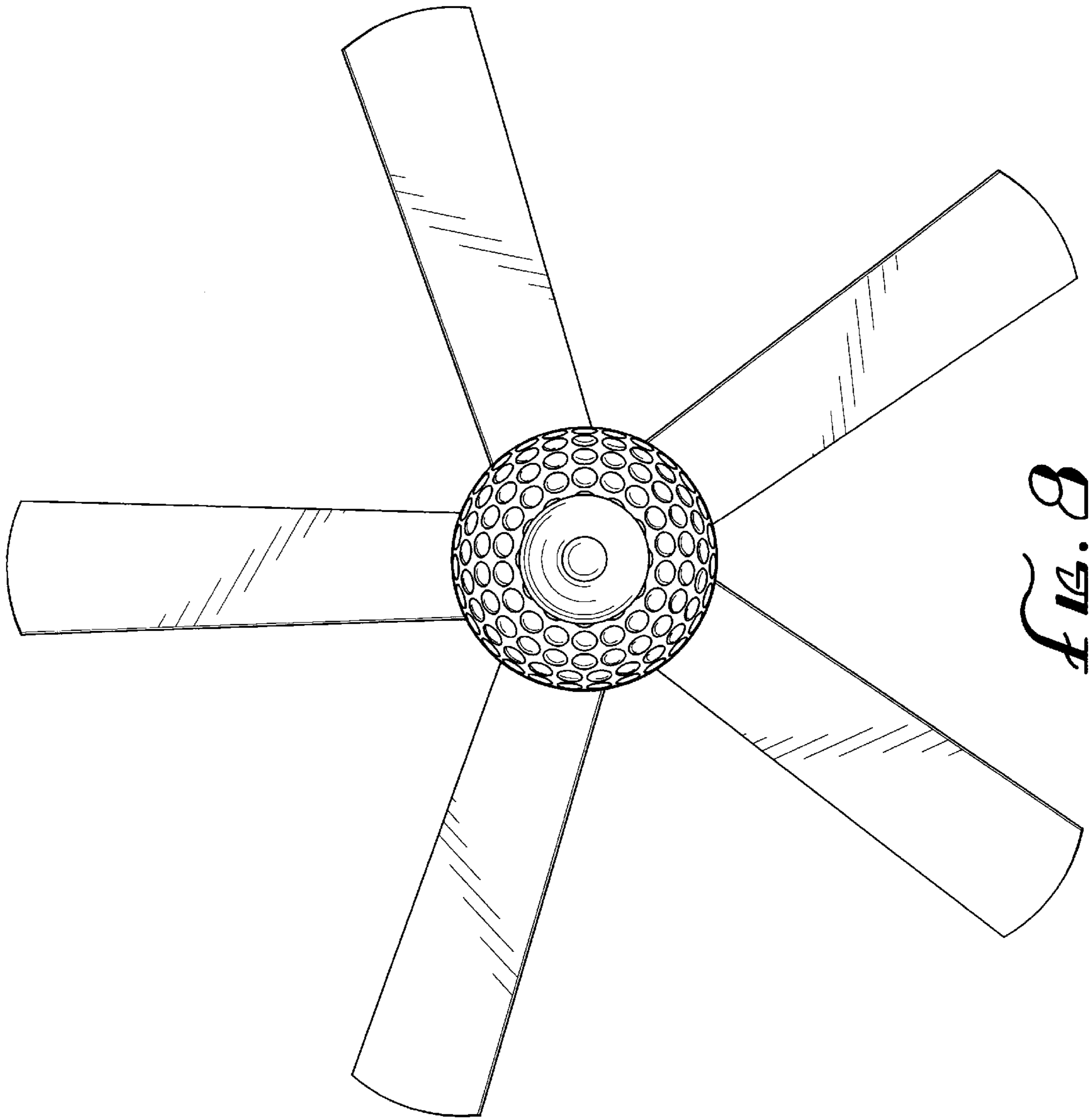


FIG. 8