



US00D417494S

United States Patent [19] Evans

[11] **Patent Number: Des. 417,494**

[45] **Date of Patent: ** Dec. 7, 1999**

[54] **COMBINED CEILING FAN AND LIGHT
FIXTURE**

D. 408,516 4/1999 Tai D23/377

OTHER PUBLICATIONS

[75] Inventor: **Richard O. Evans**, Memphis, Tenn.

Home Lighting & Accessories, p. 48, Ceiling Fan A, bottom right side of page, Jan. 1998.

[73] Assignee: **Hunter Fan Company**, Memphis, Tenn.

Primary Examiner—Lisa Lichtenstein
Attorney, Agent, or Firm—Garrison, Morris & Haight, PLLC

[**] Term: **14 Years**

[21] Appl. No.: **29/095,999**

[57] CLAIM

[22] Filed: **Nov. 3, 1998**

The ornamental design for a combined ceiling fan and light fixture, as shown.

[51] **LOC (6) Cl.** **23-04**

[52] **U.S. Cl.** **D23/377; D23/379; D26/59**

DESCRIPTION

[58] **Field of Search** D23/377, 379,
D23/385, 411, 413; 416/5; 392/364, 96;
D26/59, 57, 72, 81-86, 88

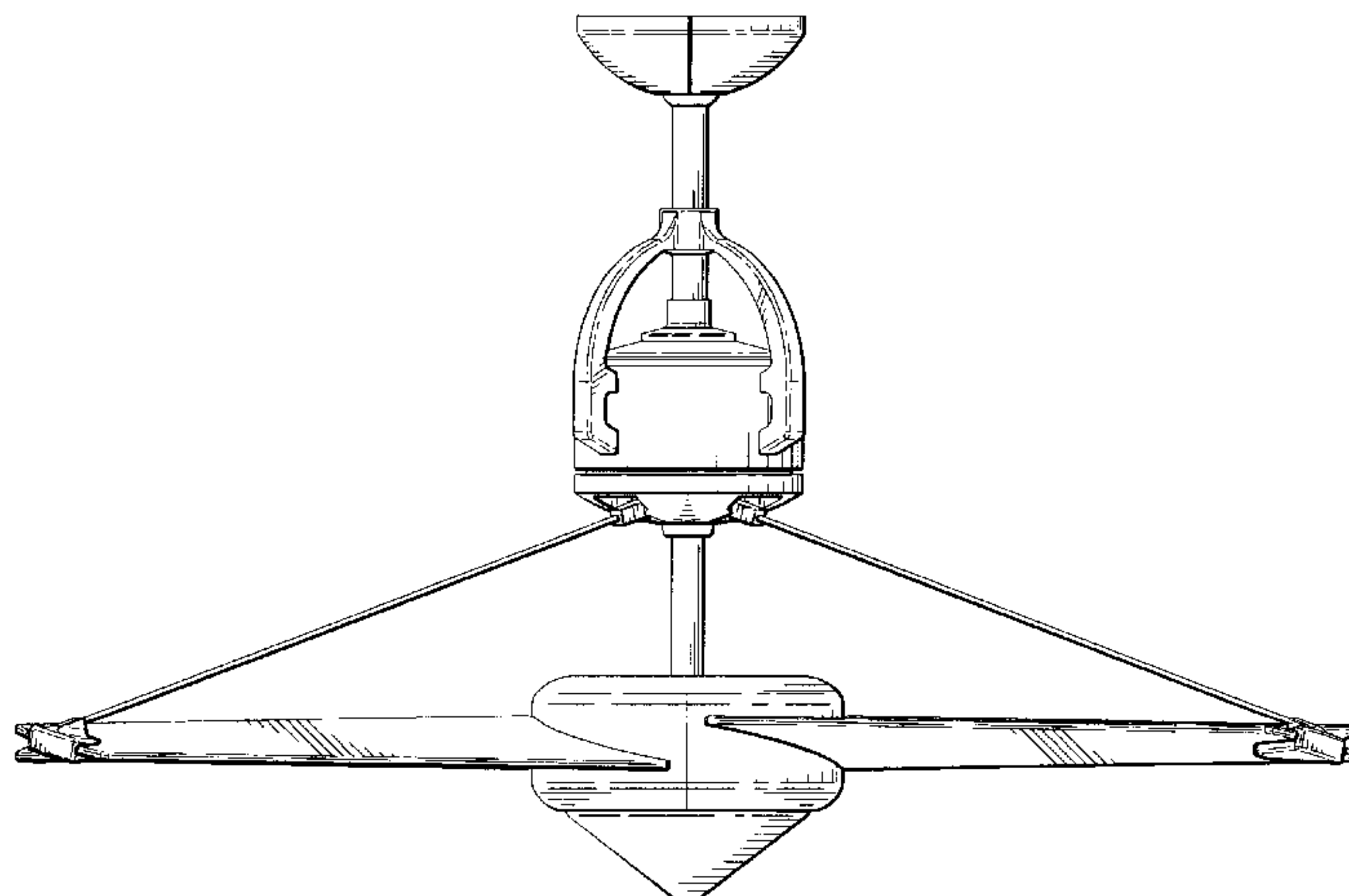
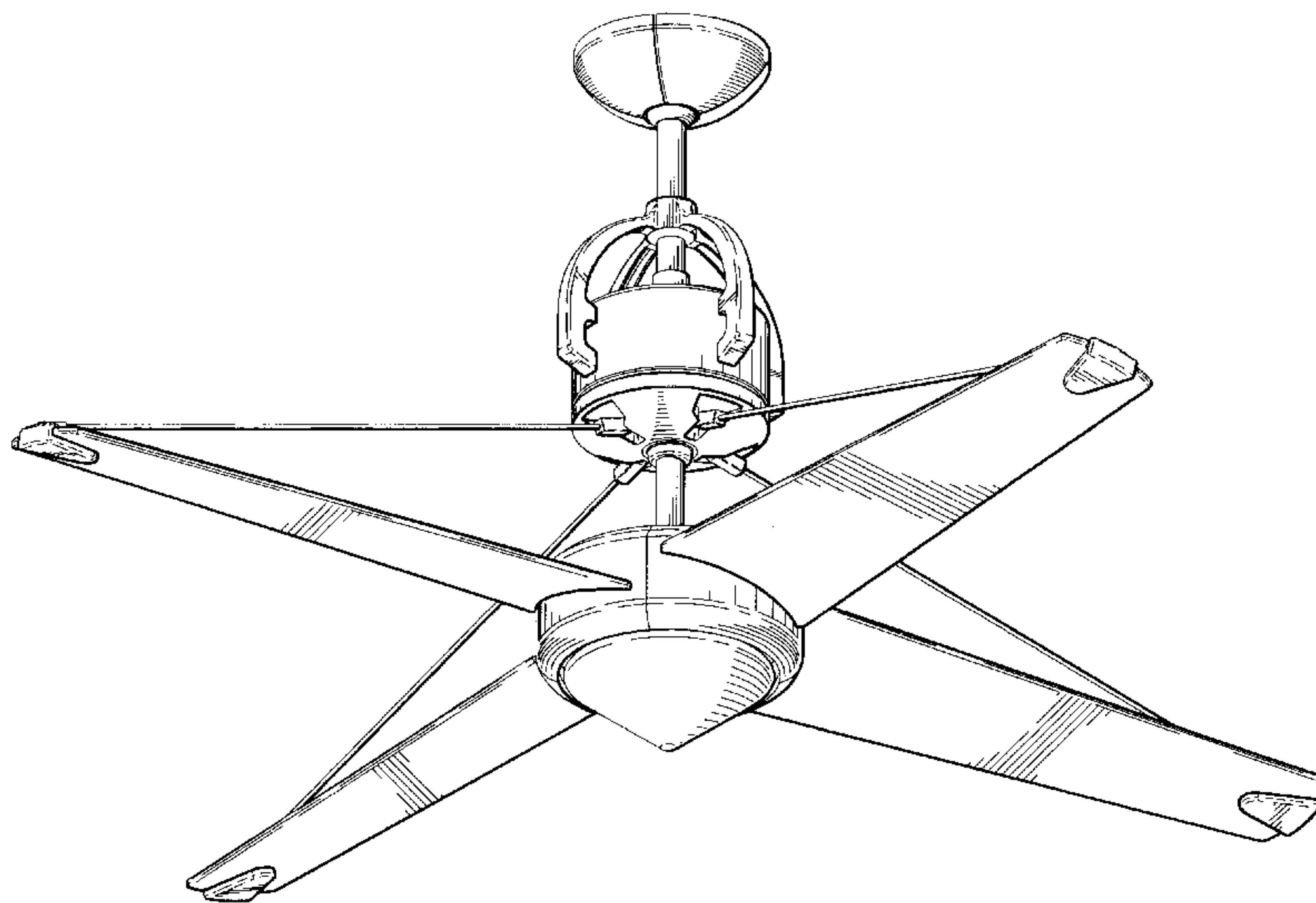
FIG. 1 is a perspective view of a ceiling fan showing our new design;
FIG. 2 is a front view of FIG. 1, the left-side, right-side, and rear views of FIG. 1 being identical to the front view;
FIG. 3 is a top view of FIG. 1; and,
FIG. 4 is a bottom view of FIG. 1.

[56] References Cited

U.S. PATENT DOCUMENTS

- D. 305,059 12/1989 Miranda et al. D23/377
- D. 355,027 1/1995 Young D23/377

1 Claim, 4 Drawing Sheets



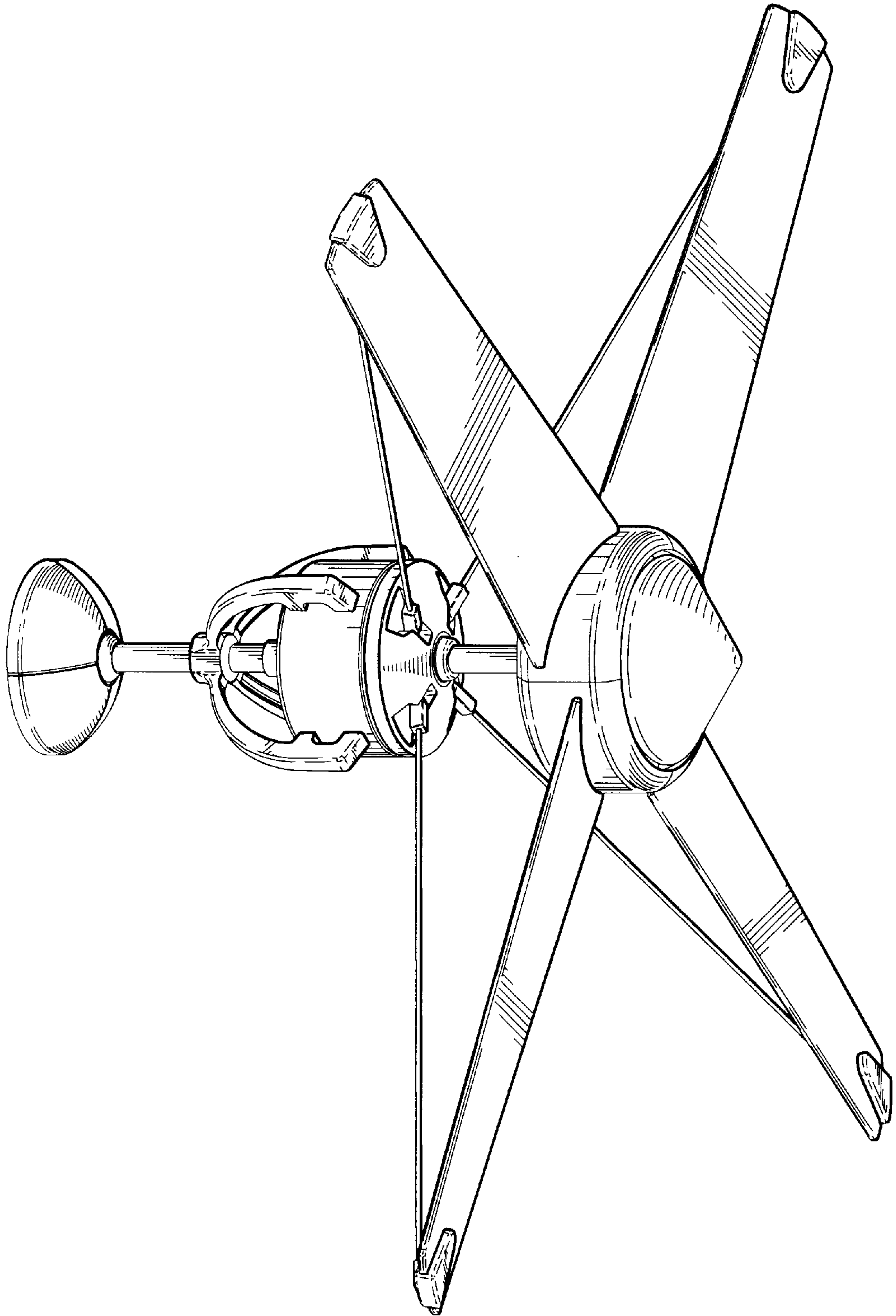


FIG 1

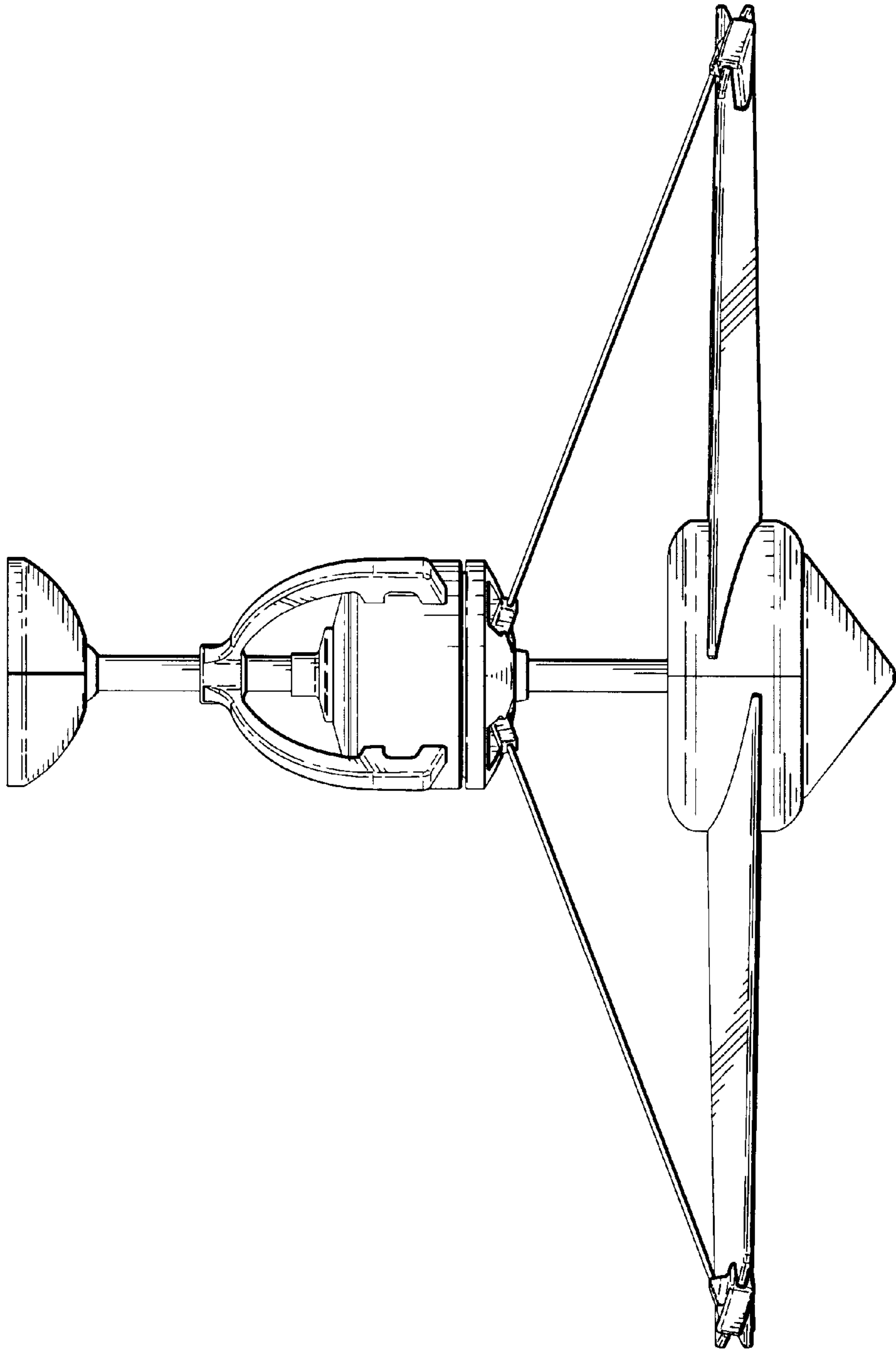


FIG 2

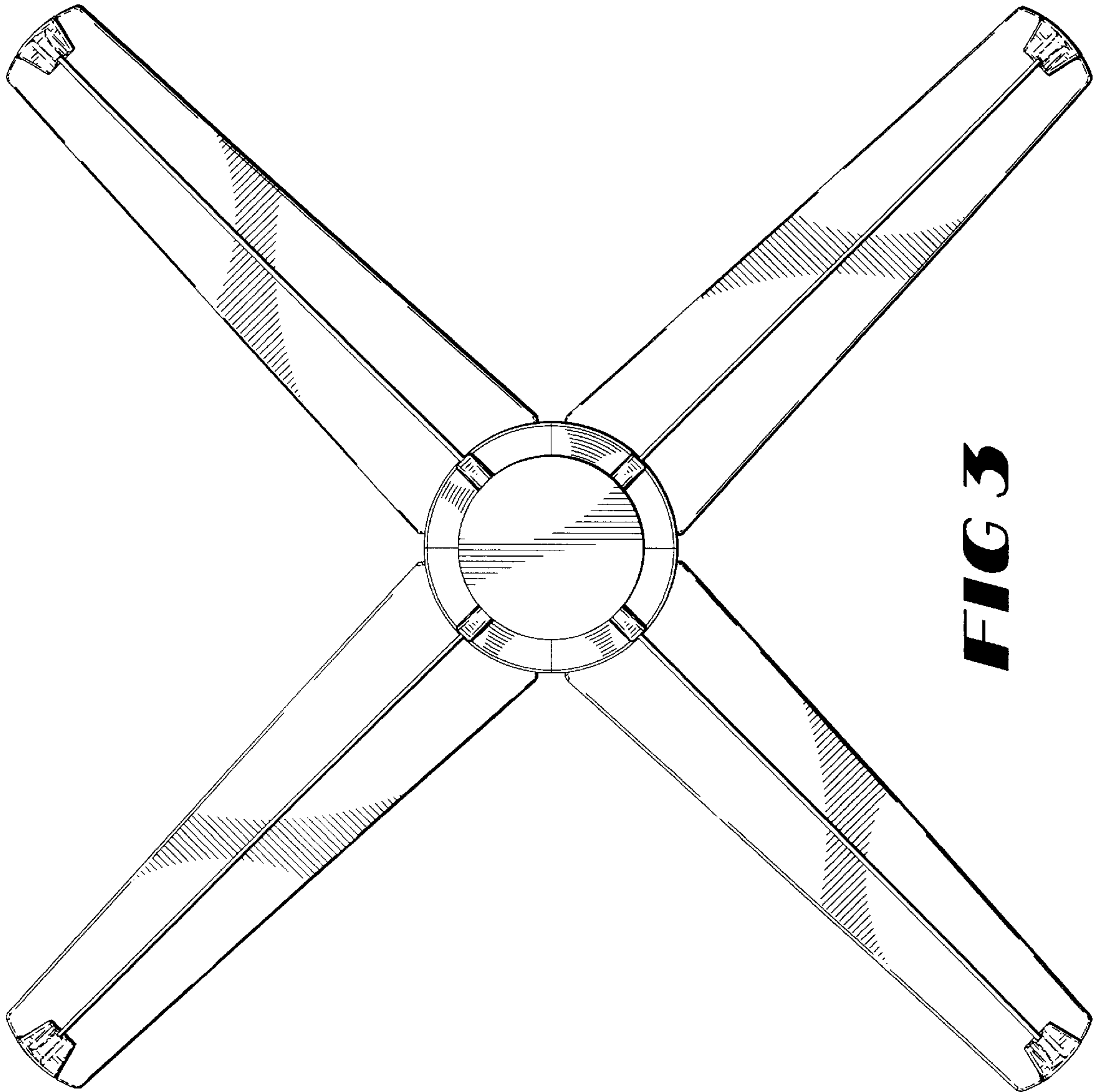


FIG 3

