



US00D417486S

# United States Patent [19] Lord

[11] **Patent Number: Des. 417,486**

[45] **Date of Patent: \*\* \*Dec. 7, 1999**

[54] **FAUCET SPOUT**

[75] **Inventor: Judd A. Lord, Carmel, Ind.**

[73] **Assignee: Masco Corporation of Indiana,  
Indianapolis, Ind.**

[\*] **Notice:** This patent is subject to a terminal disclaimer.

[\*\*] **Term: 14 Years**

[21] **Appl. No.: 29/082,882**

[22] **Filed: Jan. 30, 1998**

[51] **LOC (6) Cl. .... 23-01**

[52] **U.S. Cl. .... D23/255**

[58] **Field of Search ..... D23/238-243,  
D23/250-257; 4/675-678; 137/801**

[56] **References Cited**

**U.S. PATENT DOCUMENTS**

D. 213,874	4/1969	Landell	.....	D23/238
D. 219,779	1/1971	Tiller	.....	D23/238
D. 290,492	6/1987	Hill et al.	..	
D. 290,992	7/1987	Hill et al.	..	
D. 291,117	7/1987	Ryan	..	
D. 293,601	1/1988	Hill et al.	..	
D. 323,877	2/1992	Haug et al.	..	
D. 331,796	12/1992	Spangler	..	
D. 352,766	11/1994	Hill et al.	..	
D. 360,931	8/1995	Mark et al.	..	
D. 364,211	11/1995	Hill et al.	..	
D. 367,697	3/1996	Haug et al.	..	
D. 367,917	3/1996	Haug et al.	.....	D23/238

D. 367,918	3/1996	Haug et al.	.....	D23/238
D. 367,920	3/1996	Hill et al.	..	
D. 368,764	4/1996	Hill et al.	..	
D. 368,956	4/1996	Haug et al.	.....	D23/238
D. 388,156	12/1997	Hill et al.	..	

**OTHER PUBLICATIONS**

Delta Full Line Catalog, 1991.  
Delta Full Line Catalog, 1994.

*Primary Examiner*—Eric Watterson  
*Attorney, Agent, or Firm*—Myron B. Kapustij; Lloyd D. Doigan

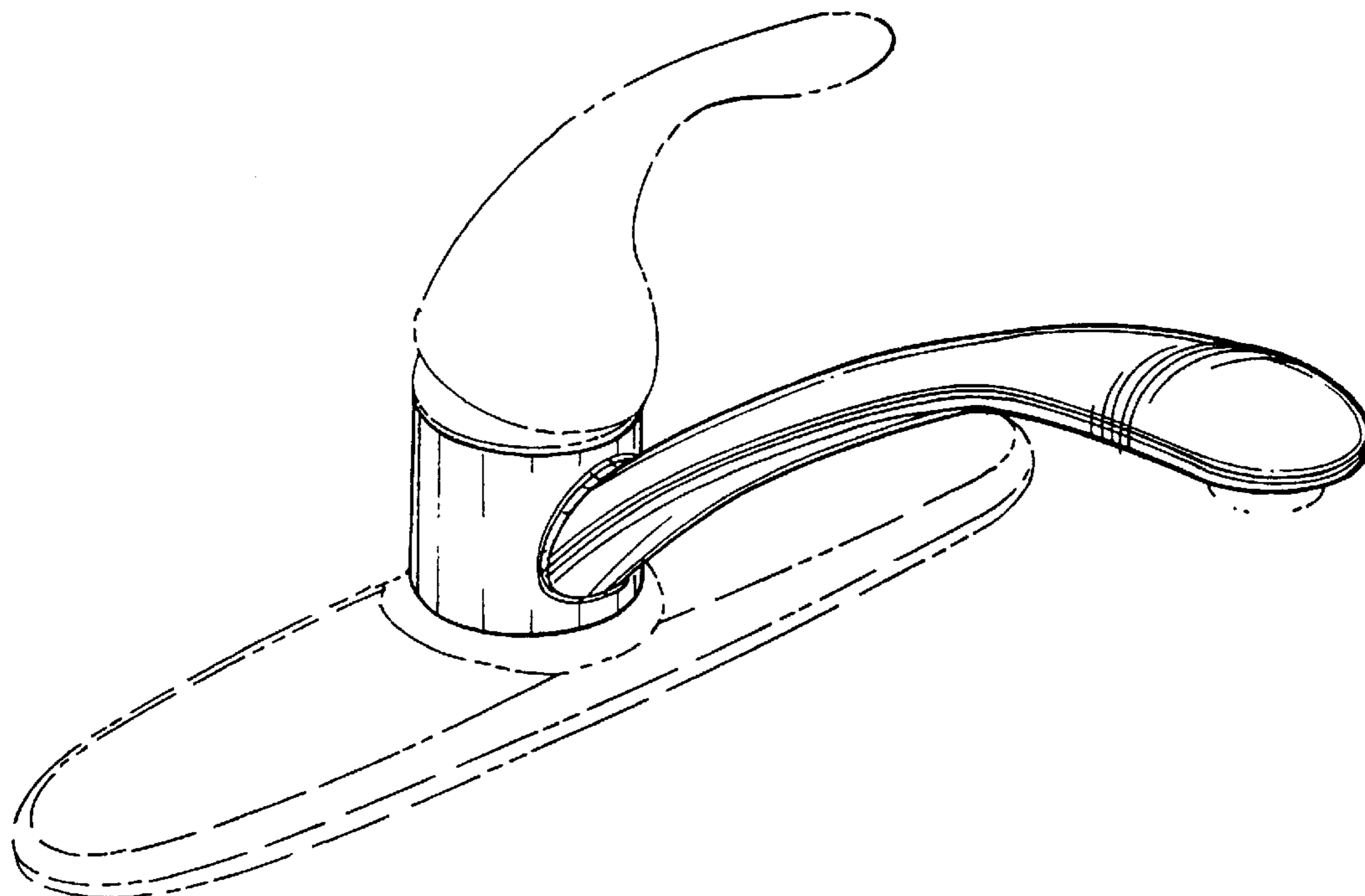
[57] **CLAIM**

The ornamental design for a faucet spout, as shown and described.

**DESCRIPTION**

FIG. 1 is a front perspective view of a faucet spout showing my new design;  
FIG. 2 is a rear perspective view thereof;  
FIG. 3 is a top plan view thereof;  
FIG. 4 is a front elevational view thereof;  
FIG. 5 is a right side elevational view thereof, the left side being a mirror image;  
FIG. 6 is a rear elevational view thereof; and,  
FIG. 7 is a bottom plan view thereof.  
The broken line showings of the aerator in FIGS. 1-2, 4-5 and 7, of the handle in FIGS. 1-2, 4-5 and 7, and of the escutcheon in FIGS. 1-7 are for purposes of illustration only and form no part of the claimed design.

**1 Claim, 4 Drawing Sheets**



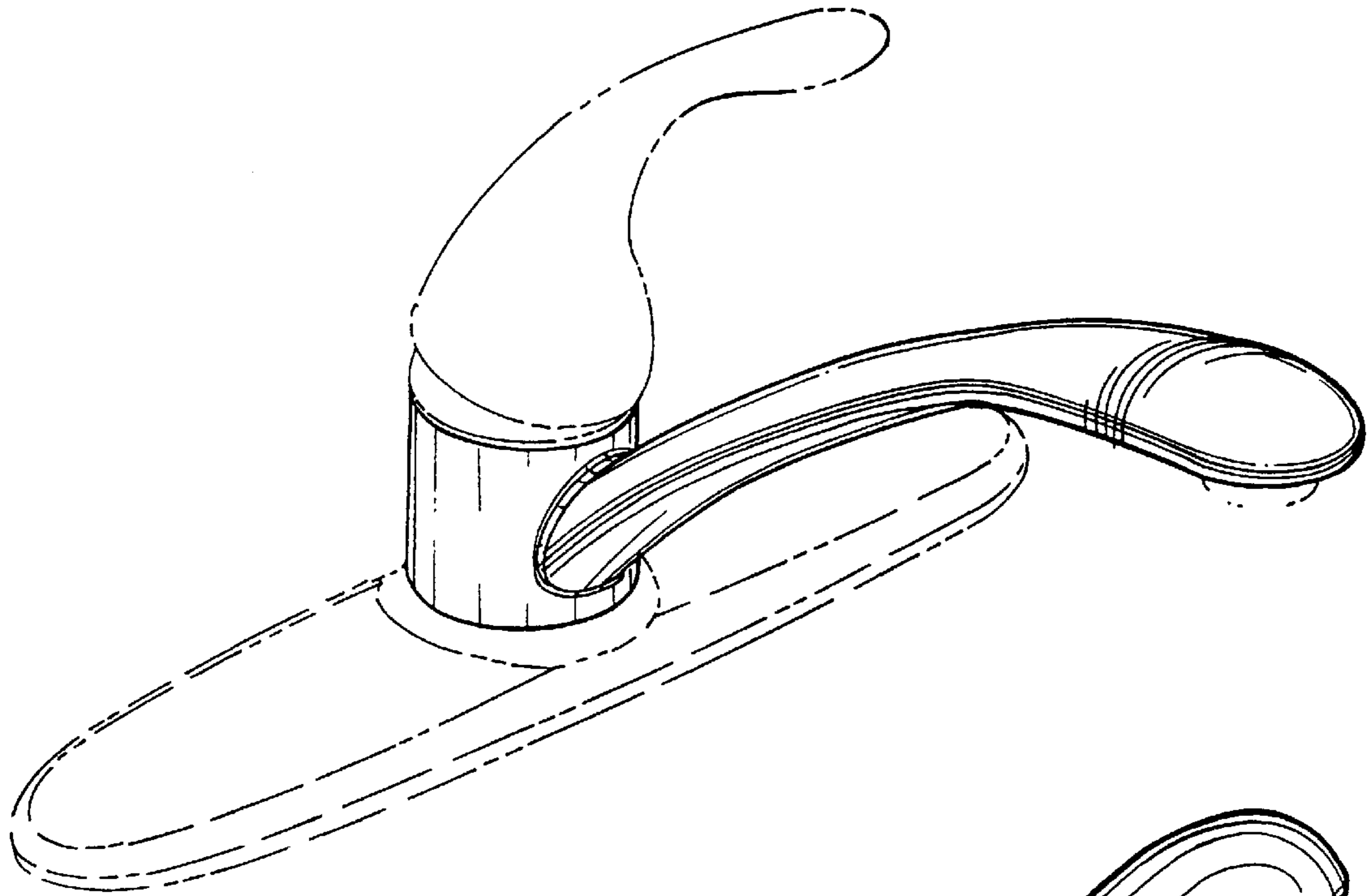


Fig-1

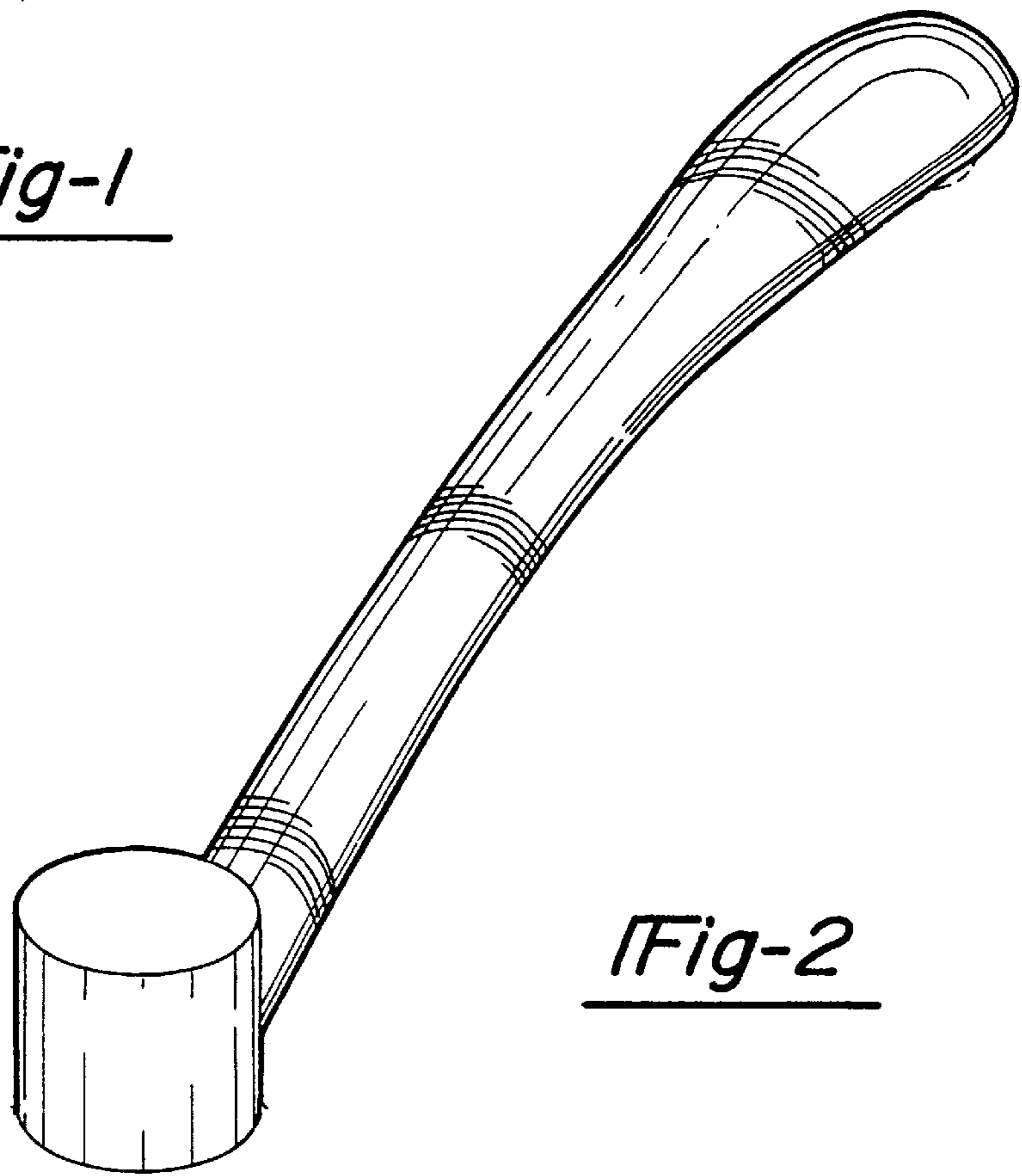


Fig-2

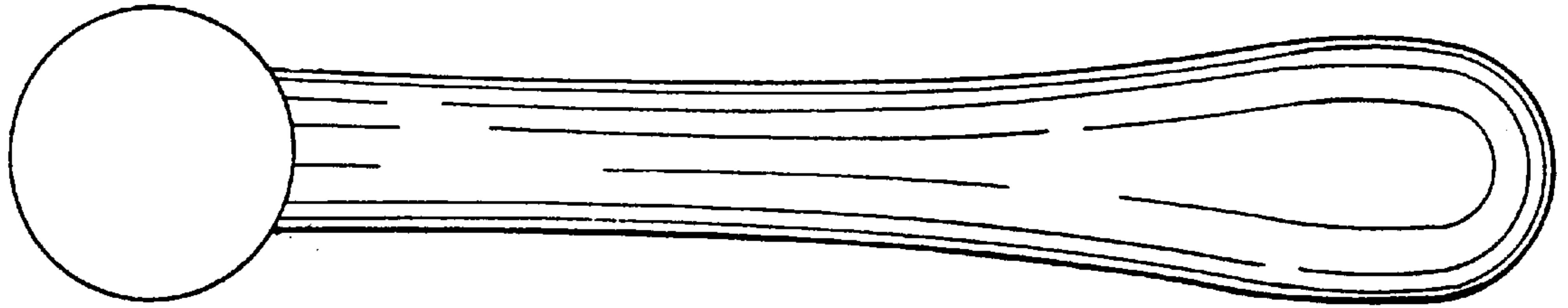


Fig-3

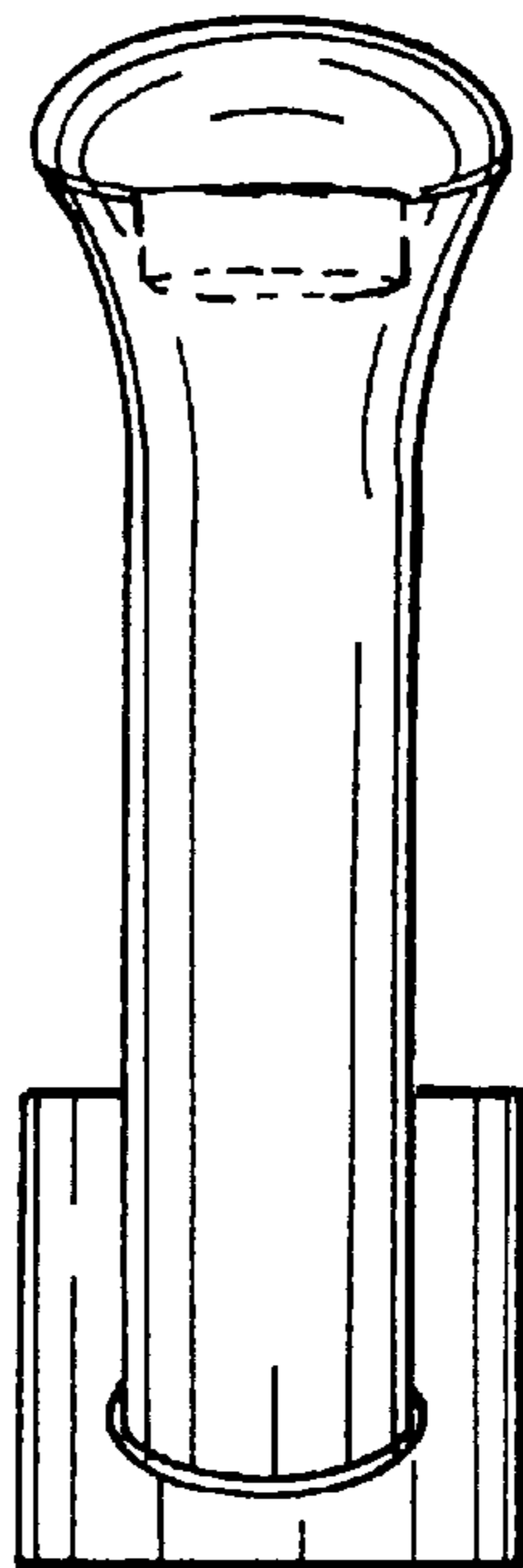


Fig-4

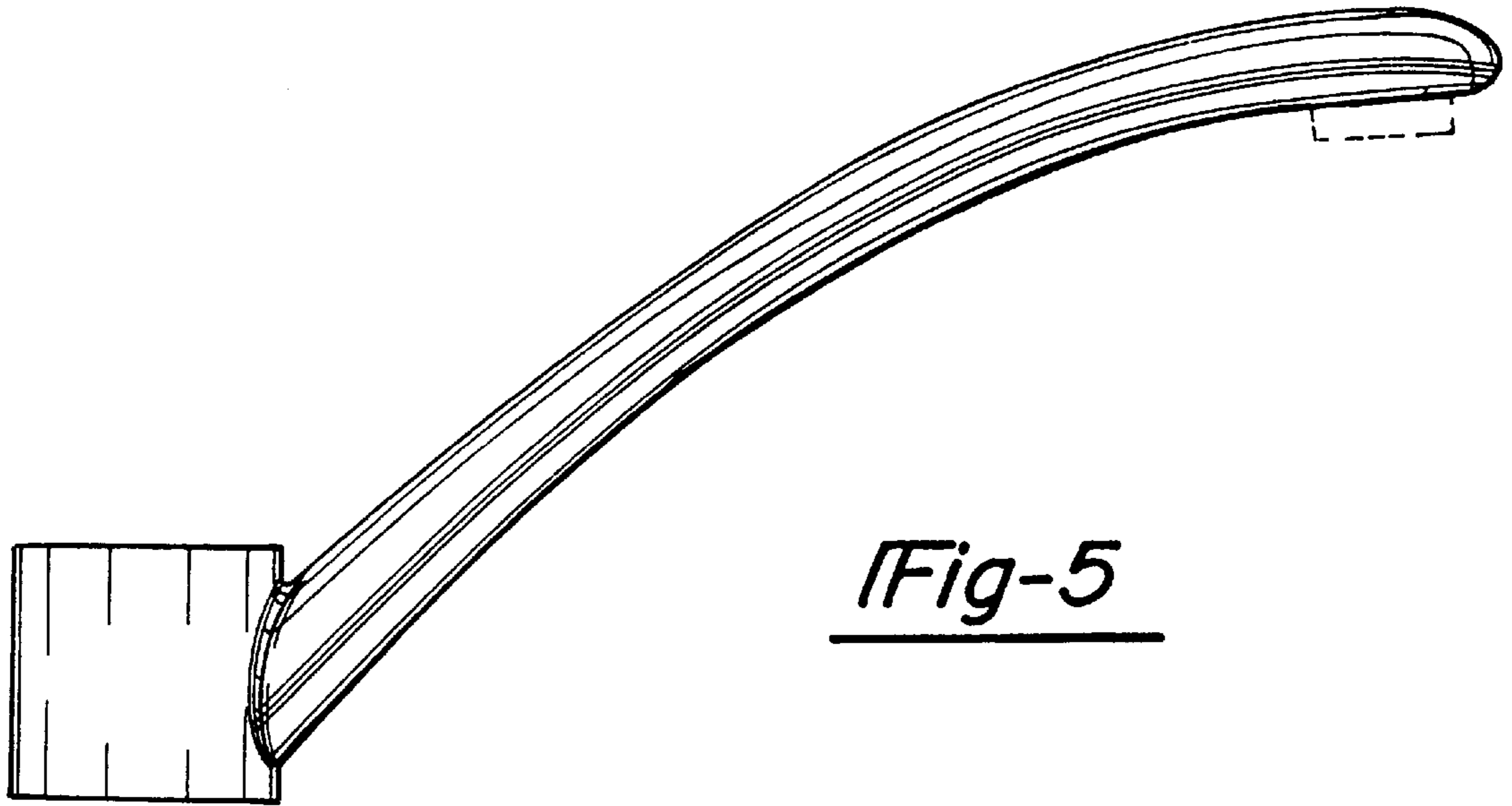


Fig-5

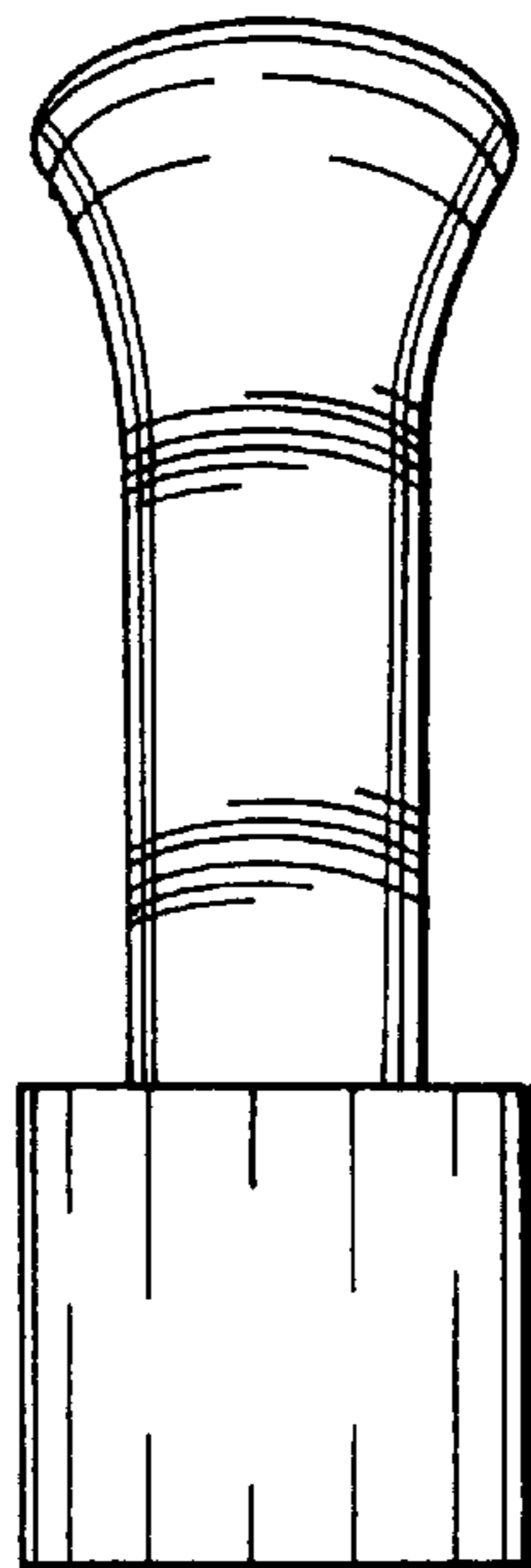


Fig-6

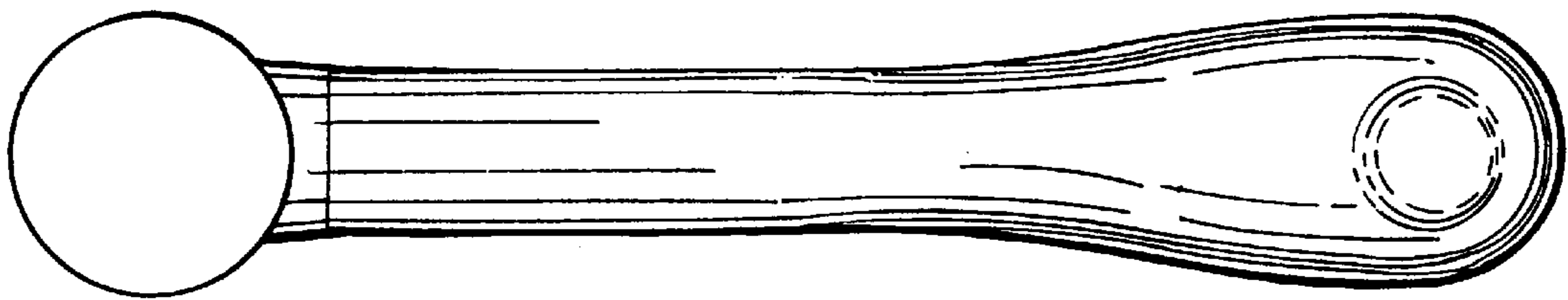


Fig-7