



US00D417485S

United States Patent [19]

Sato et al.

[11] Patent Number: Des. 417,485

[45] Date of Patent: ** *Dec. 7, 1999

[54] SOLENOID-OPERATED PILOT VALVE

[75] Inventors: **Hideharu Sato; Takumi Matsumoto**, both of Tsukuba-gun, Japan

[73] Assignee: **SMC Corporation**, Tokyo, Japan

[*] Notice: This patent is subject to a terminal disclaimer.

[**] Term: **14 Years**

[21] Appl. No.: **29/094,695**

[22] Filed: **Oct. 7, 1998**

[30] Foreign Application Priority Data

Apr. 13, 1998 [JP] Japan 10-10527

[51] LOC (6) Cl. **23-01**

[52] U.S. Cl. **D23/233**

[58] Field of Search D23/233-237, D23/245, 248; 137/596.13, 596.16, 884, 625.64

[56] References Cited

U.S. PATENT DOCUMENTS

D. 200,454	2/1965	Everitt	D23/233
D. 246,908	1/1978	Fetty	D23/233
D. 390,636	2/1998	Hayashi et al.	D23/233
4,856,560	8/1989	Neff et al.	137/884
4,889,164	12/1989	Hozumi et al.	137/625.64
5,437,306	8/1995	Asou et al.	137/625.64
5,555,911	9/1996	Fukano et al.	137/625.64
5,699,834	12/1997	Hayashi et al.	137/884

OTHER PUBLICATIONS

The design of the present application was displayed at IFPEX '97 Exhibition—Oct. 21–24, 1997. IFPEX '97 Catalogue, issued on Oct. 13, 1997.

Primary Examiner—Robin V. Taylor
Attorney, Agent, or Firm—Oblon, Spivak, McClelland, Maier & Neustadt, P.C.

[57] CLAIM

The ornamental design for solenoid-operated pilot valve, as shown and described.

DESCRIPTION

FIG. 1 is a top, front and left side perspective view of solenoid-operated pilot valve embodying our new design; FIG. 2 is a bottom, rear and right side perspective view thereof; FIG. 3 is a front elevational view thereof; FIG. 4 is a rear elevational view thereof; FIG. 5 is a top plan view thereof; FIG. 6 is a right side elevational side view thereof; FIG. 7 is a left side elevational view thereof; FIG. 8 is a bottom plan view thereof; and, FIG. 9 is a top, front and left side perspective view thereof shown when in use with a directional control valve.

The directional control valve shown in broken lines in FIG. 9 is shown for illustrative purposes only and forms no part of the claimed design.

The prongs are shown fragmented to indicate indeterminate length.

1 Claim, 2 Drawing Sheets

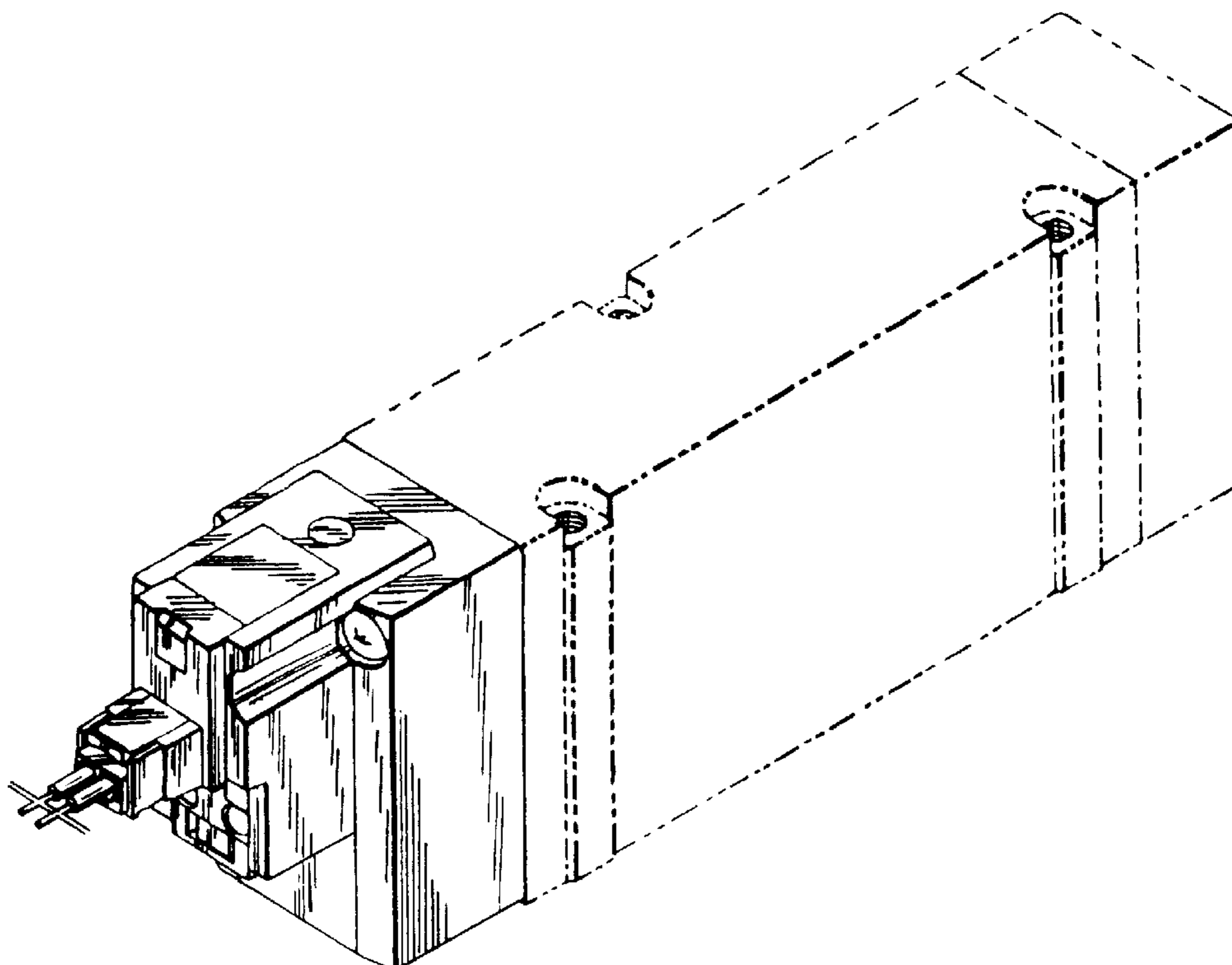


FIG. 8

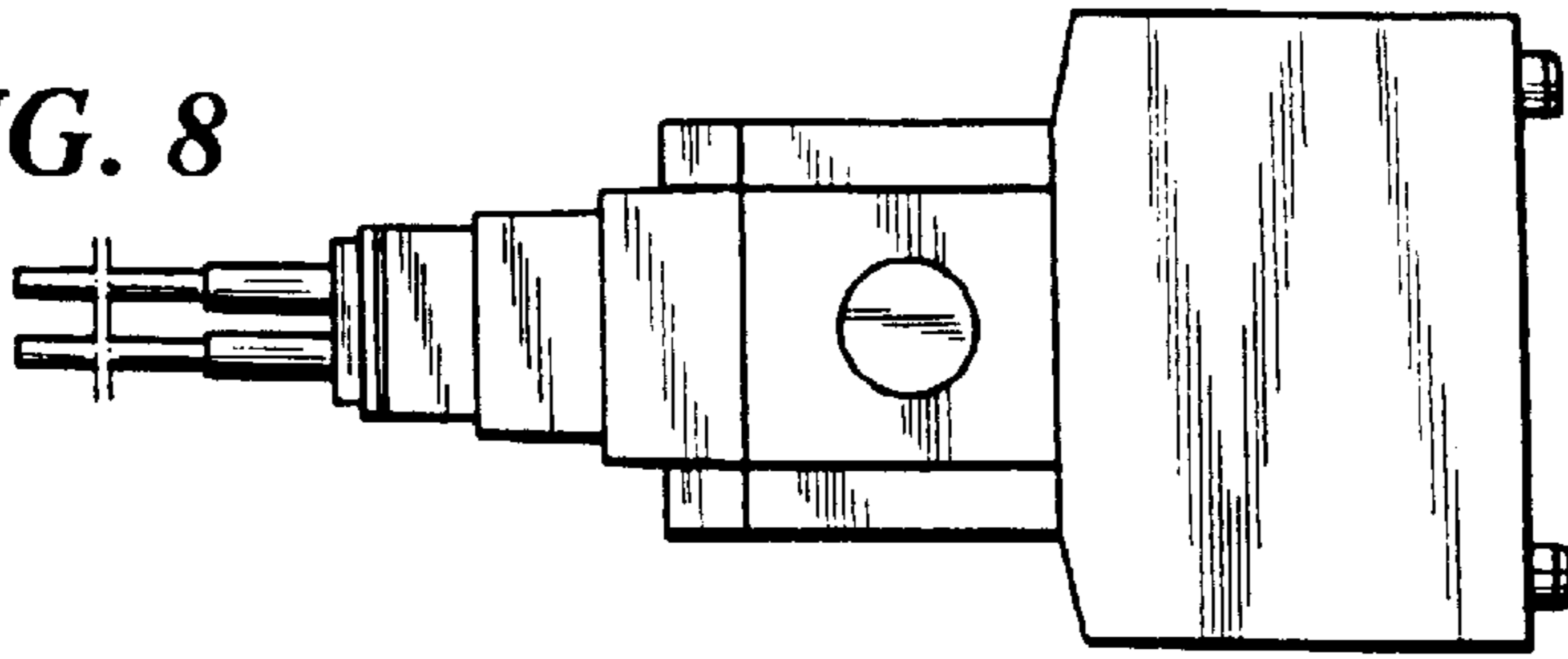


FIG. 1

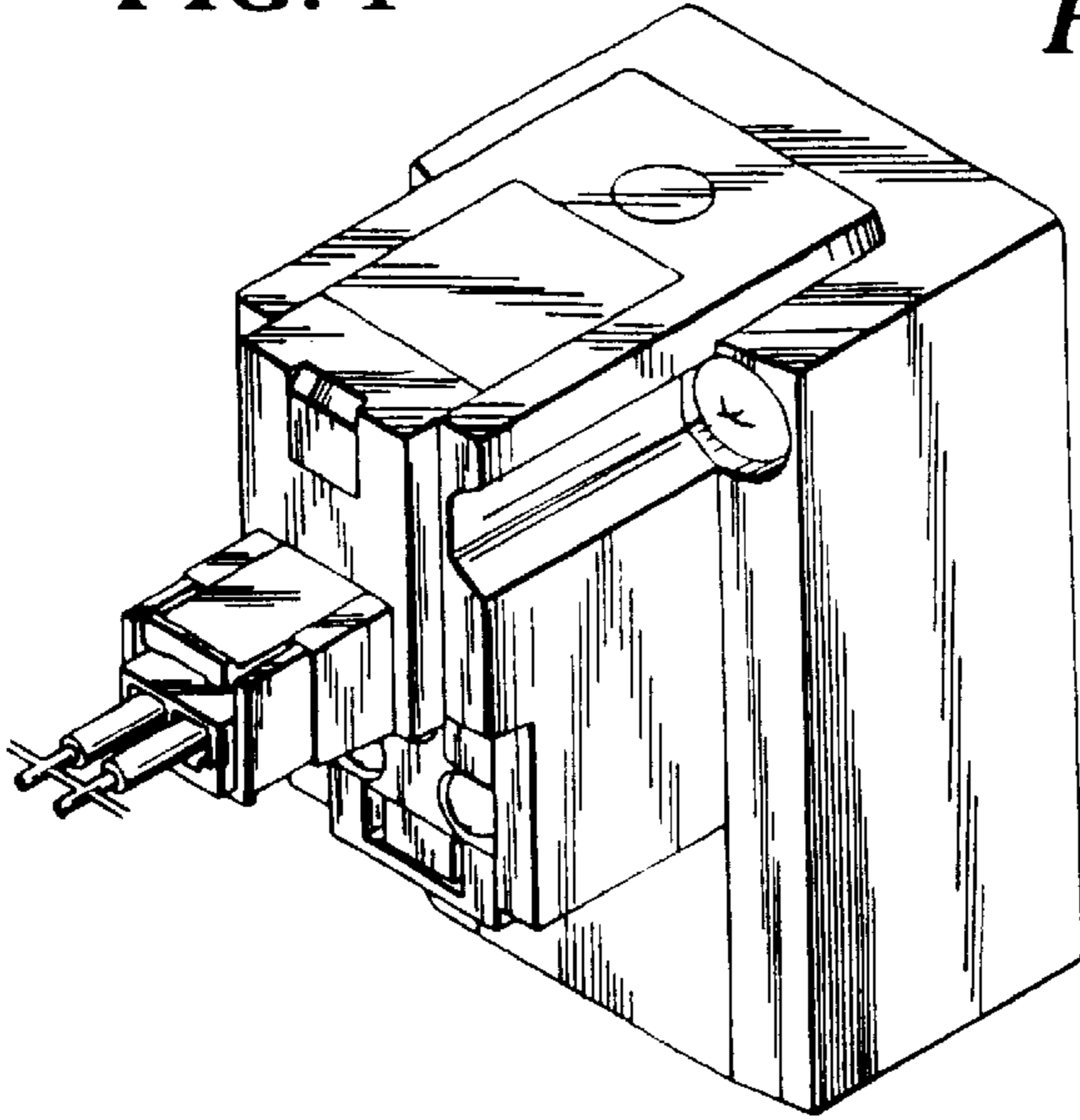


FIG. 2

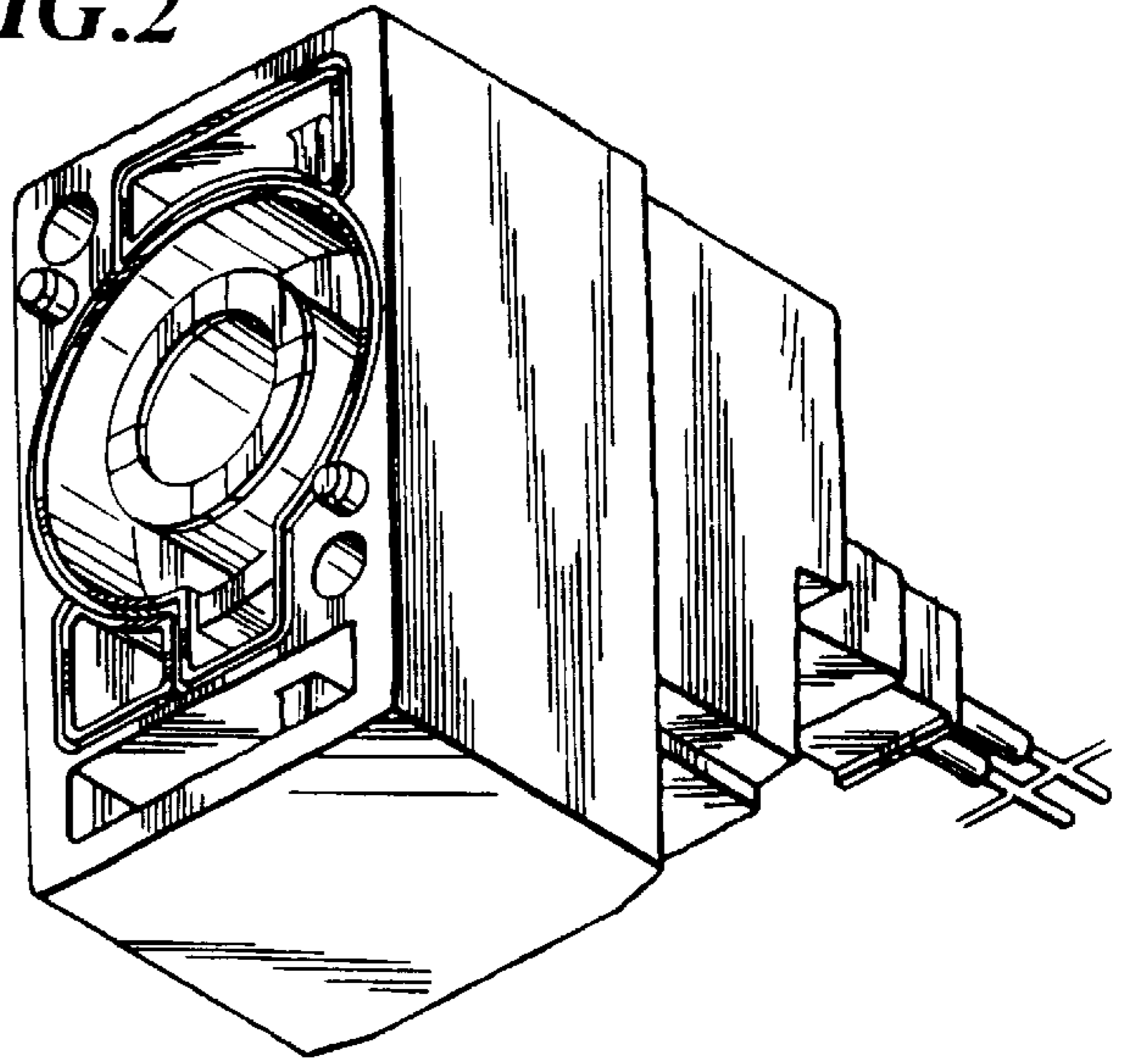


FIG. 9

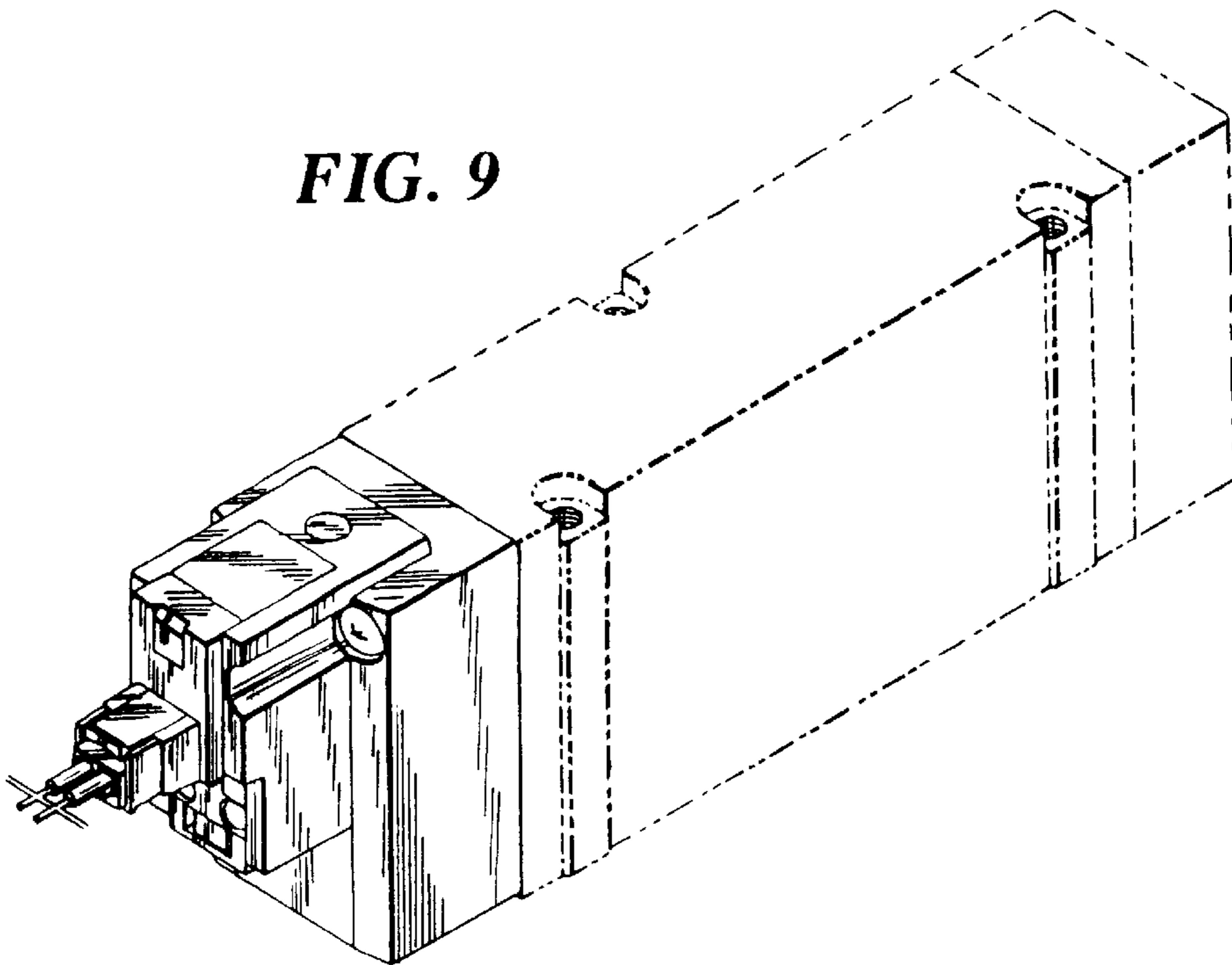


FIG. 3

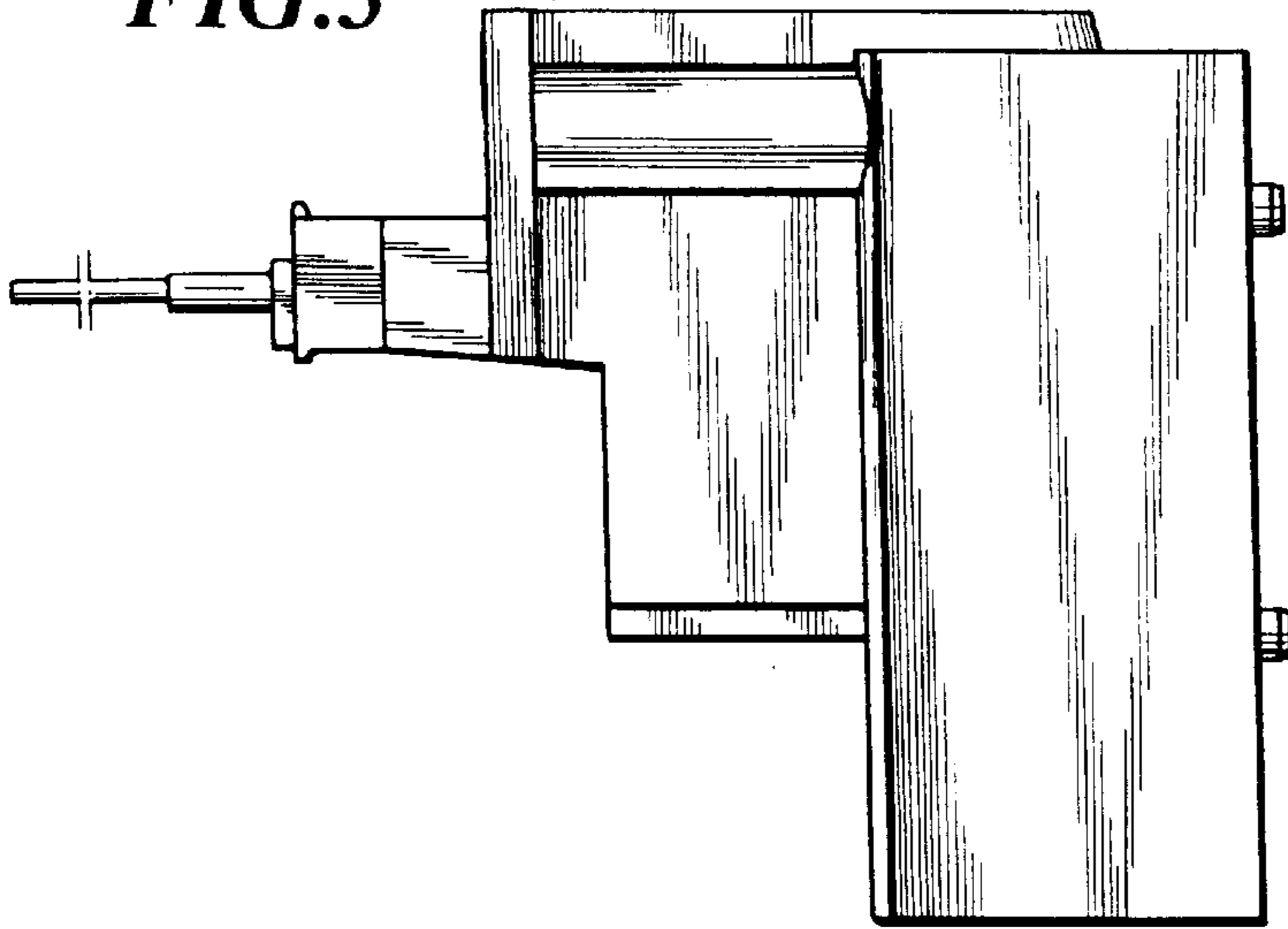


FIG. 6

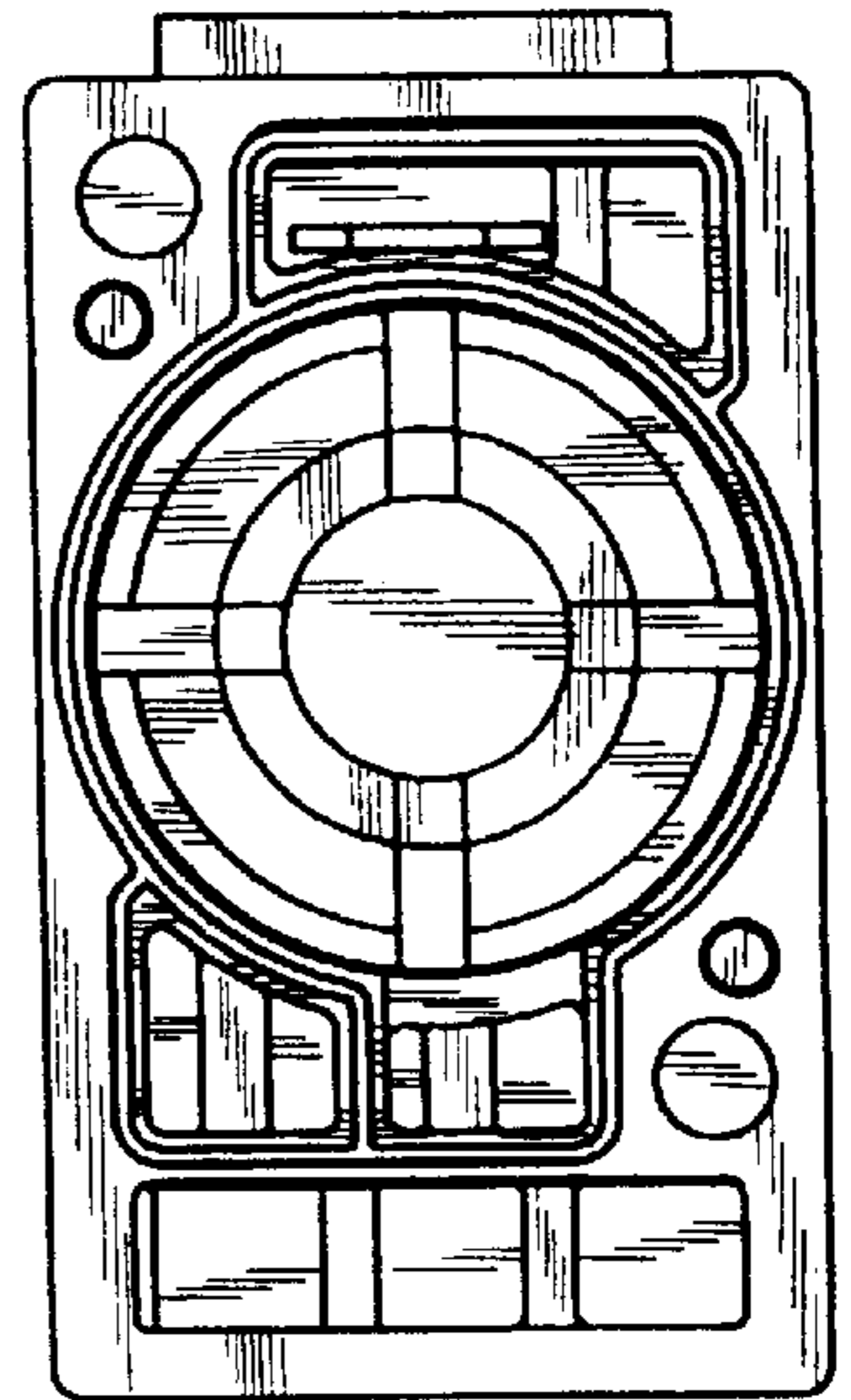


FIG. 4

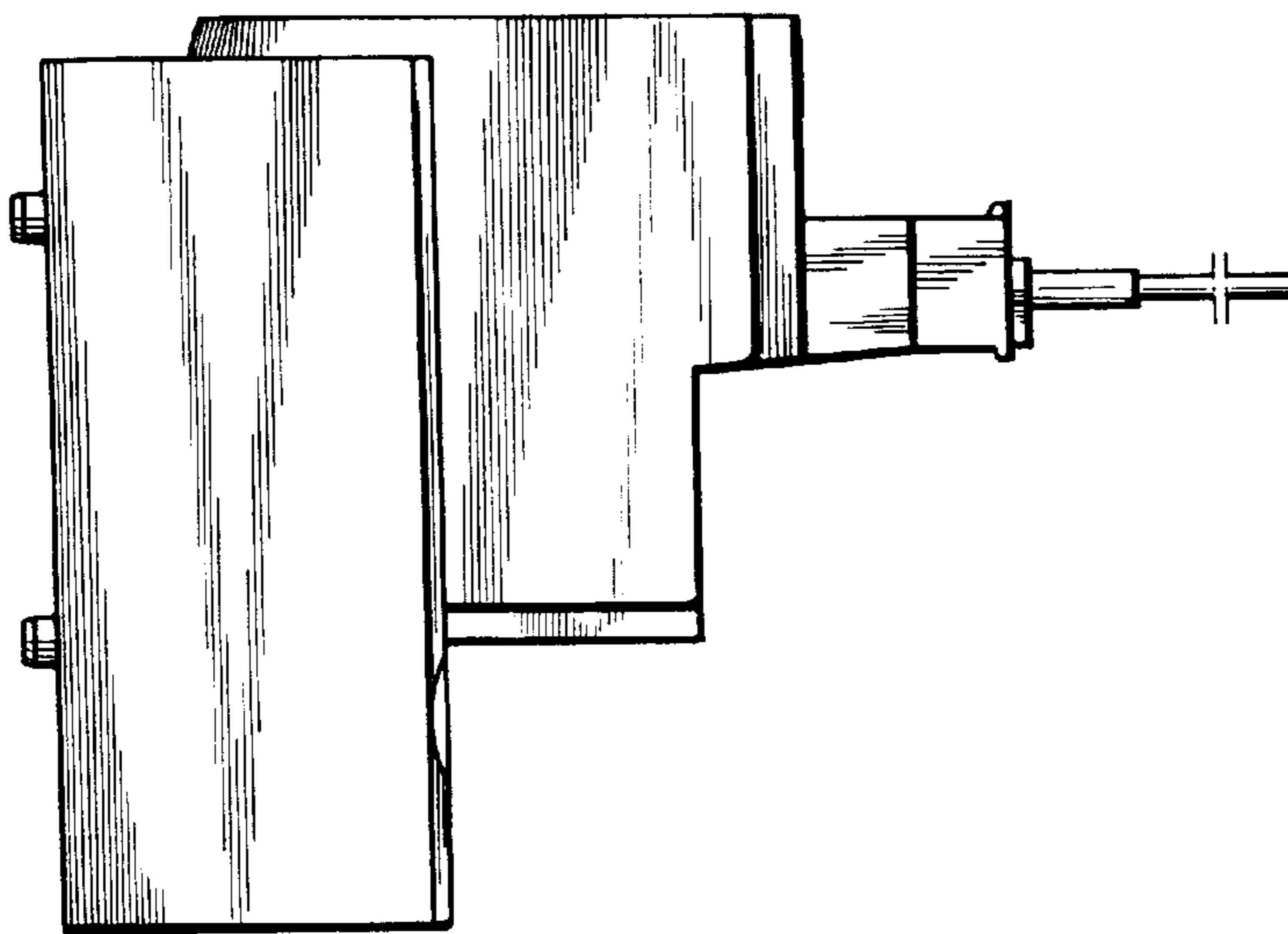


FIG. 7

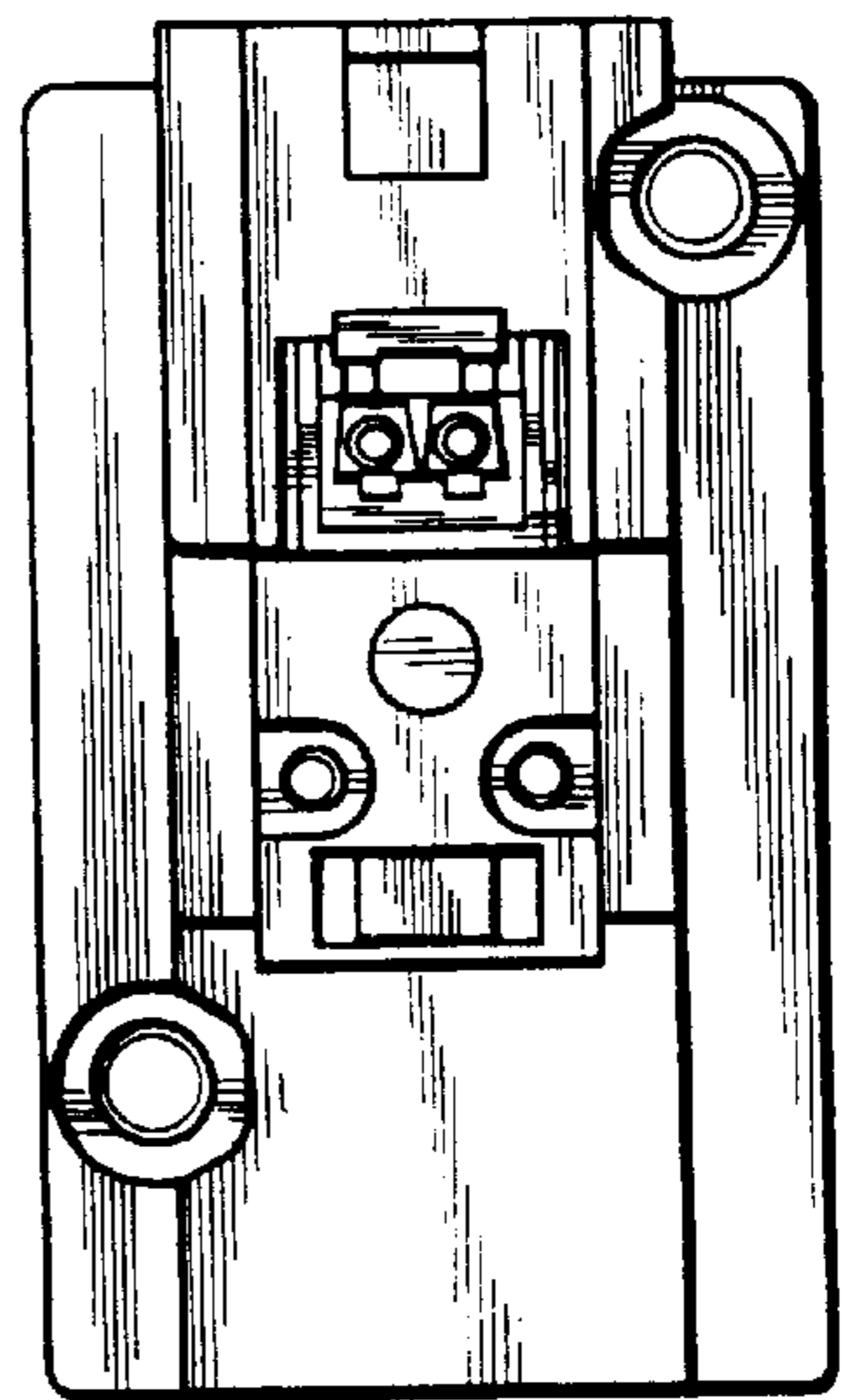


FIG. 5

