



US00D417482S

# United States Patent [19]

[11] **Patent Number: Des. 417,482**

**Benze**

[45] **Date of Patent: \*\* Dec. 7, 1999**

[54] **SHAMPOO BOWL SHOWER HEAD**

*Attorney, Agent, or Firm—*Craig M. Korfanta

[76] Inventor: **James Douglas Benze**, 1975 N. Bird St., Boise, Id. 83704

[57] **CLAIM**

The ornamental design for a shampoo bowl shower head, as shown and described.

[\*\*] Term: **14 Years**

**DESCRIPTION**

[21] Appl. No.: **29/100,343**

FIG. 1 is a front isometric view of a shampoo bowl shower head according to the invention wherein the dotted lines indicate functional elements which do not form a part of the invention;

[22] Filed: **Feb. 9, 1999**

FIG. 2 is a first side view of the shampoo bowl shower head wherein the dotted lines indicate a converging water spray pattern produced by the shampoo bowl shower head and does not form a part of the invention;

[51] **LOC (6) Cl. .... 23-01**

[52] **U.S. Cl. .... D23/213**

[58] **Field of Search** ..... D23/213, 223, D23/226, 229-230, 249; 4/605, 615; 239/459-462, 394

FIG. 3 is a front view of the shampoo bowl shower head wherein the dotted lines indicate functional elements which do not form a part of the invention;

[56] **References Cited**

**U.S. PATENT DOCUMENTS**

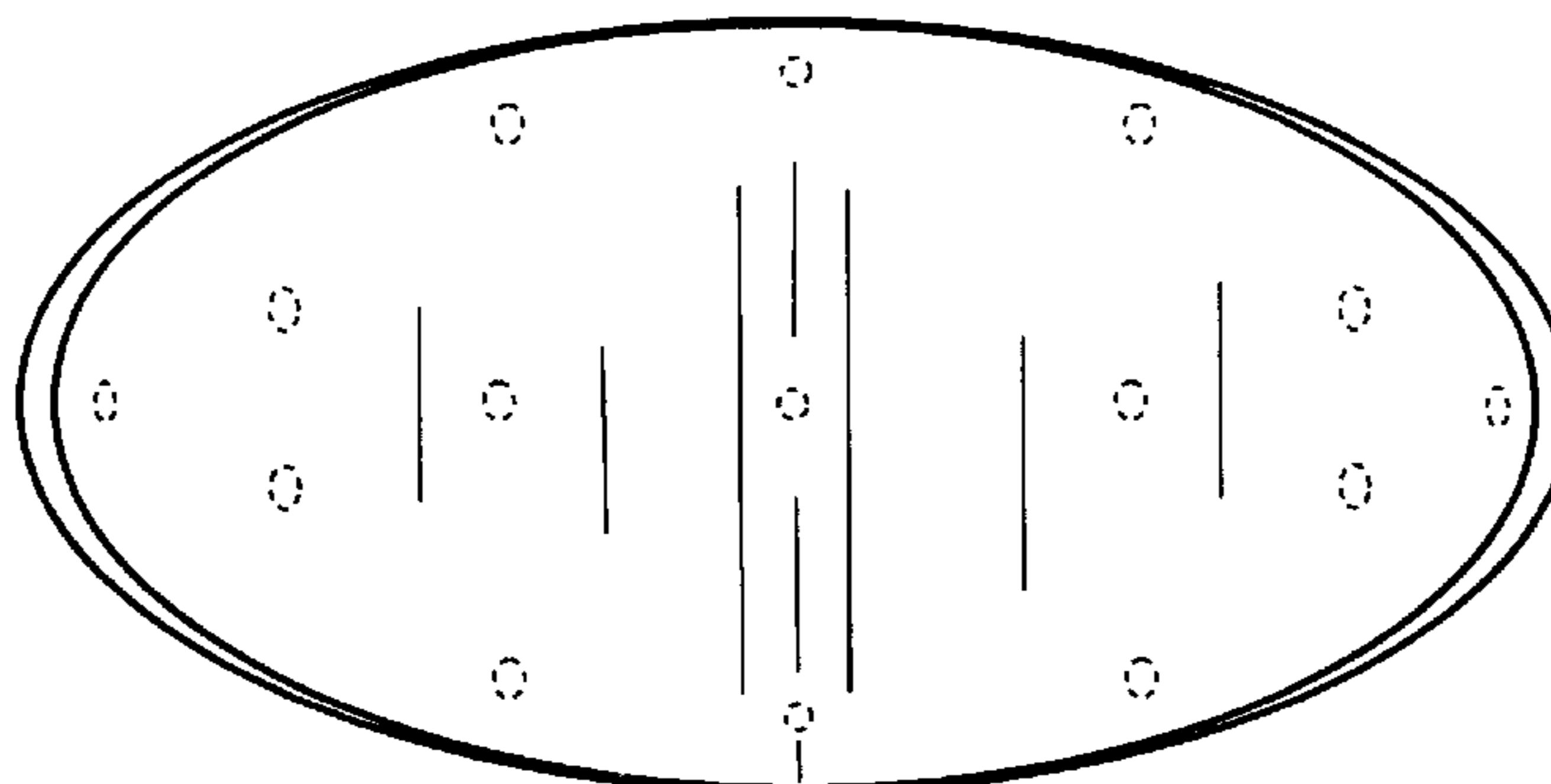
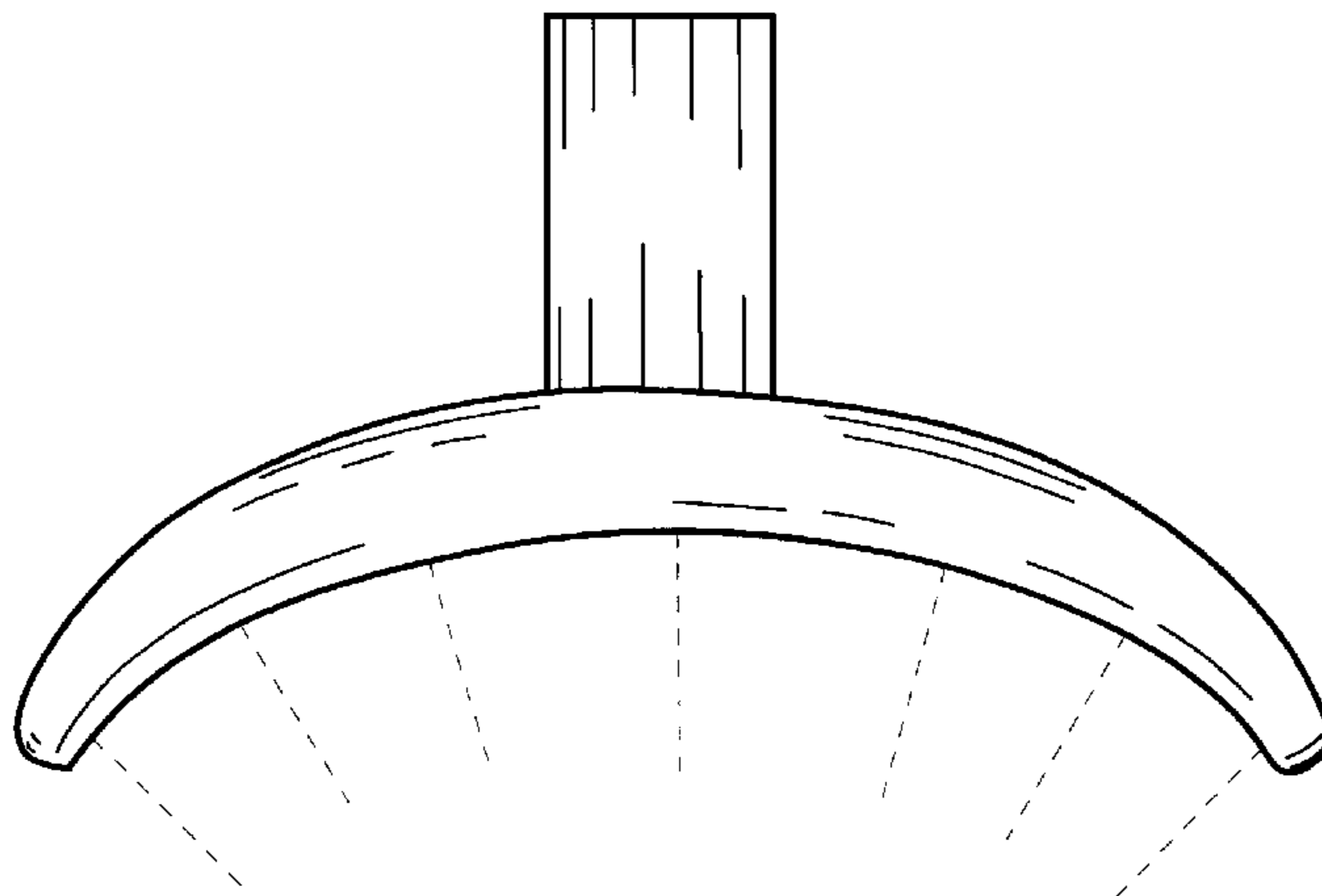
D. 249,356	9/1978	Nagy	.....	D23/213
D. 405,158	2/1999	Hagen	.....	D23/213
4,834,728	5/1989	McKenna	.....	D23/213

FIG. 4 is a second side view of the shampoo bowl shower head; and,

FIG. 5 is a back view of the shampoo bowl shower head.

*Primary Examiner—*Robin V. Taylor

**1 Claim, 3 Drawing Sheets**



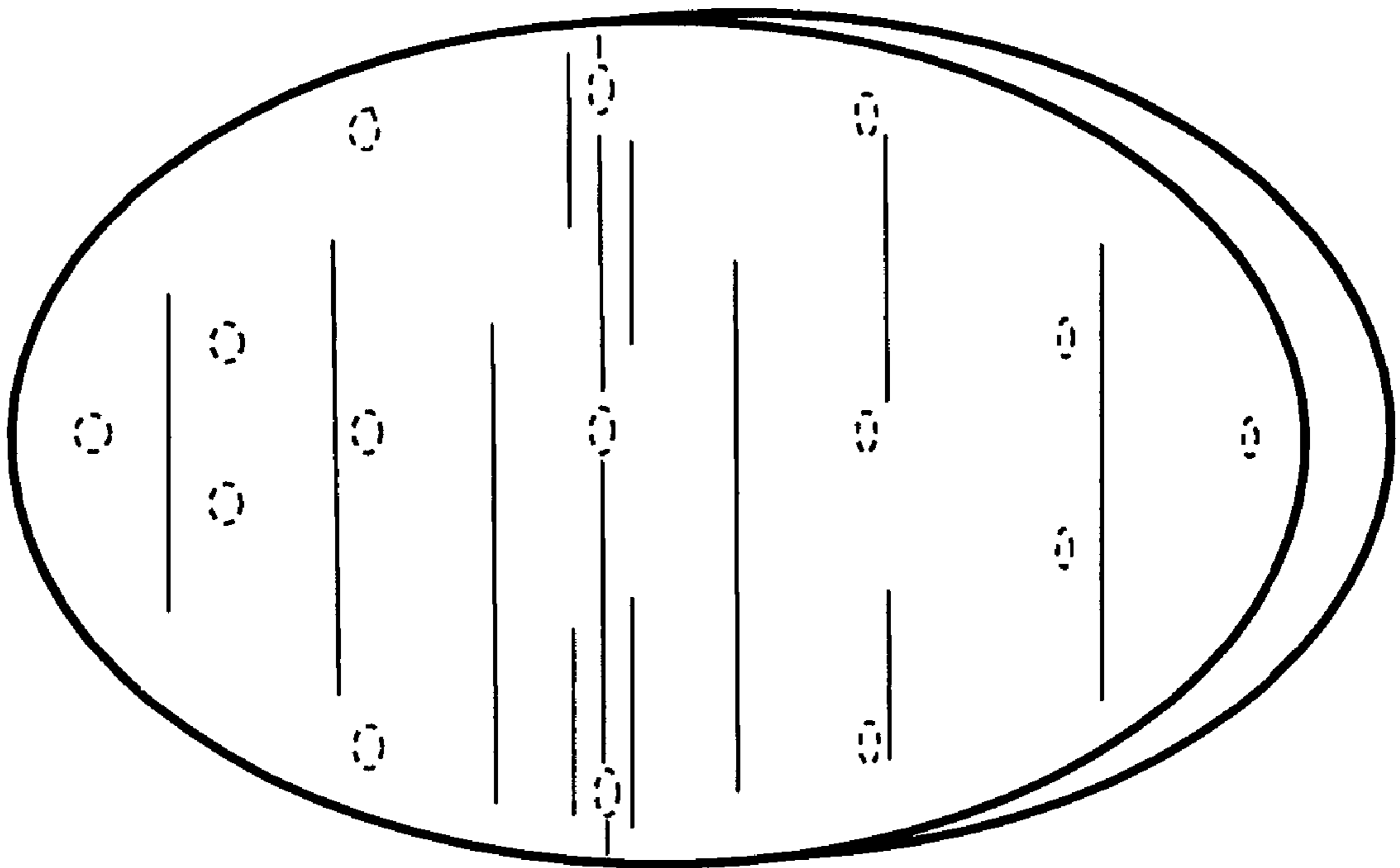


FIG. 1

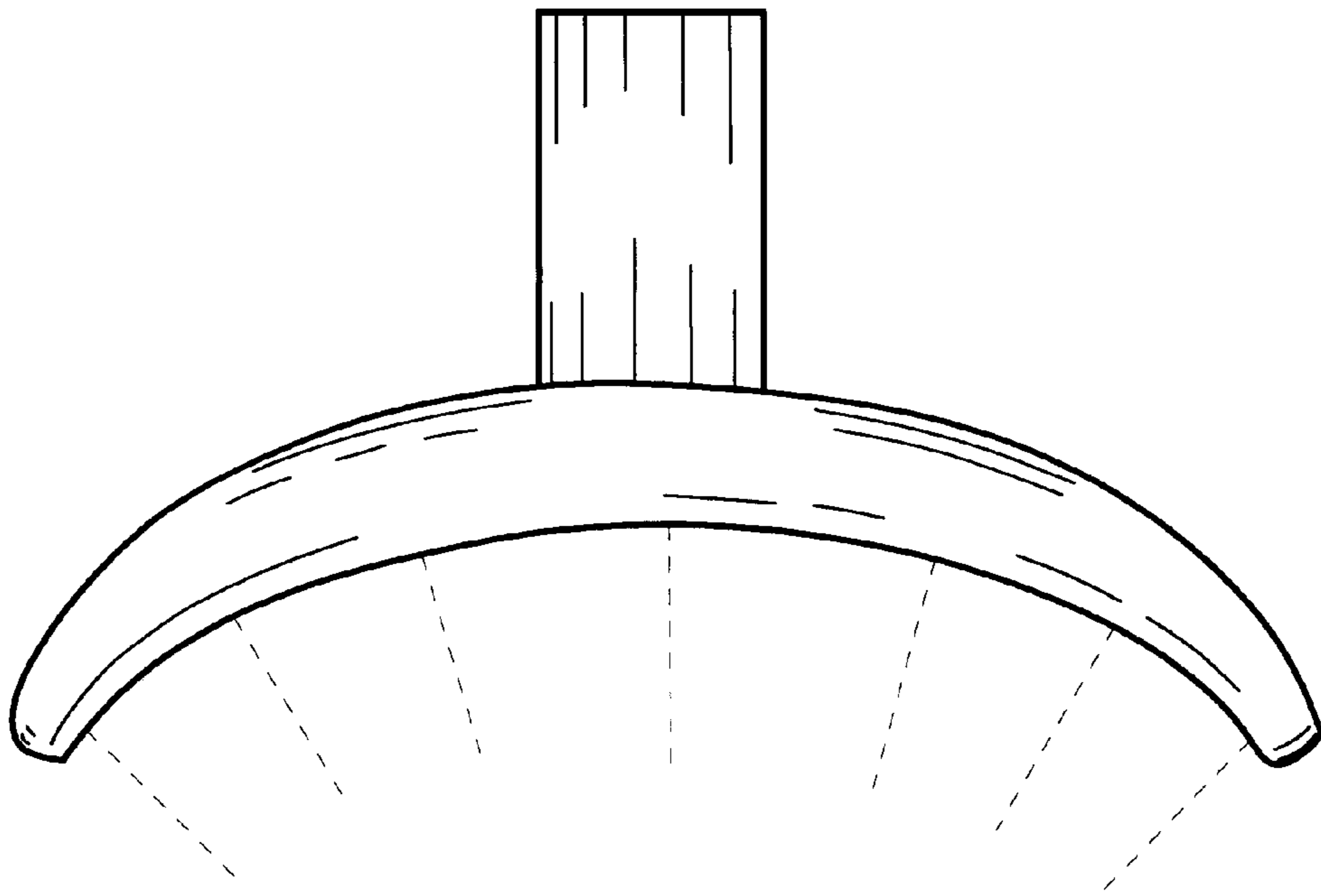


FIG. 2

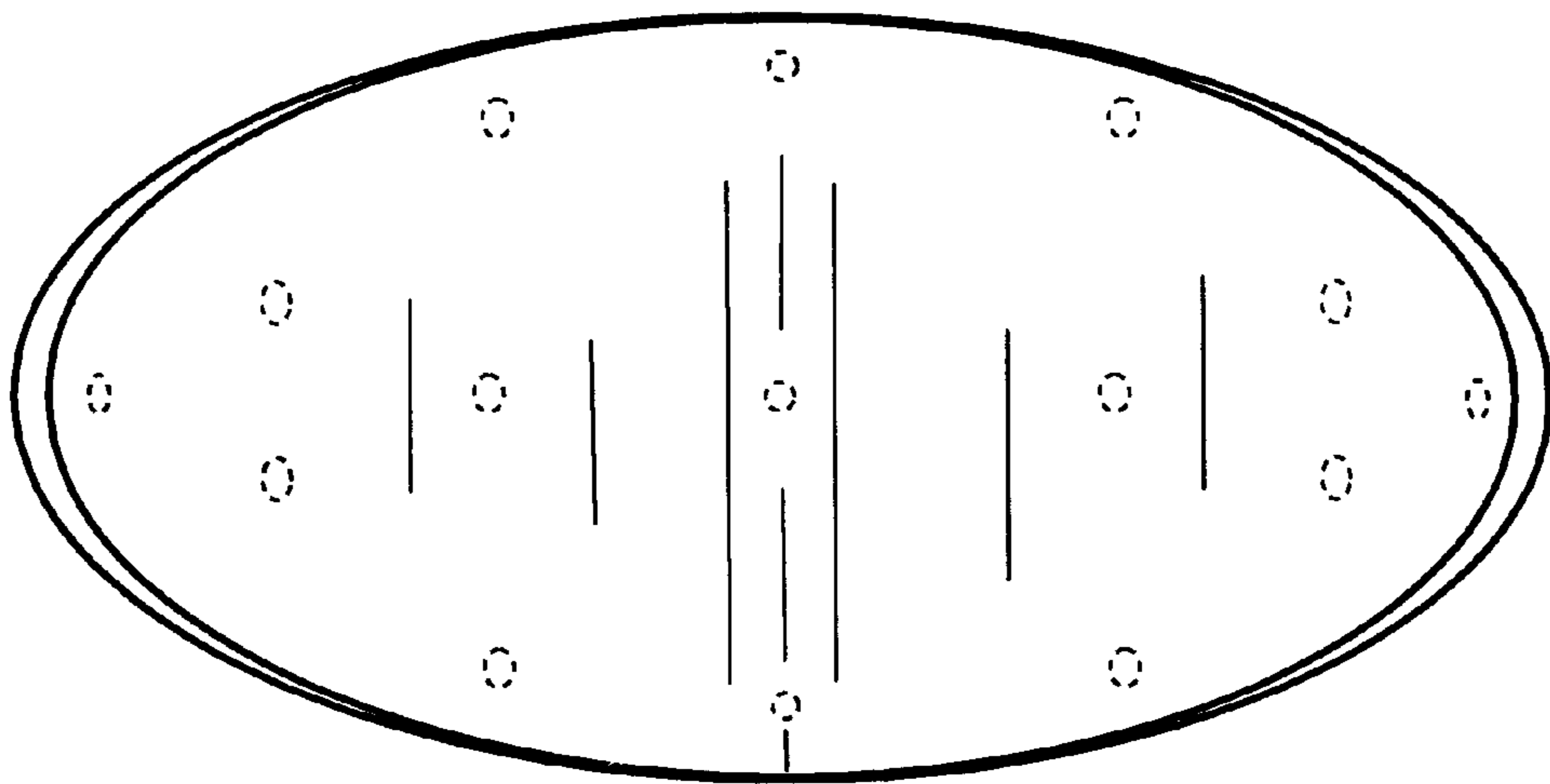


FIG. 3

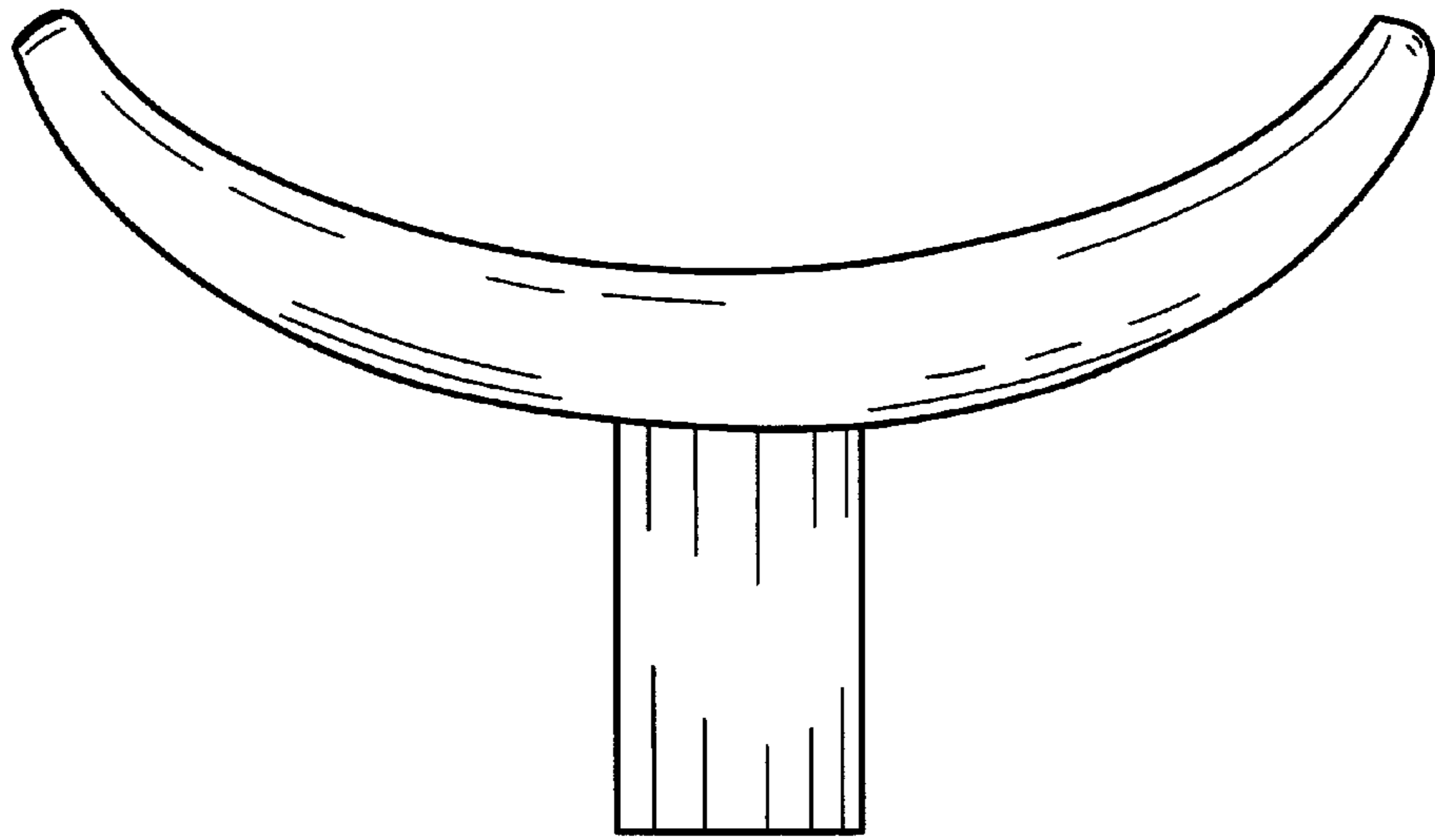


FIG. 4

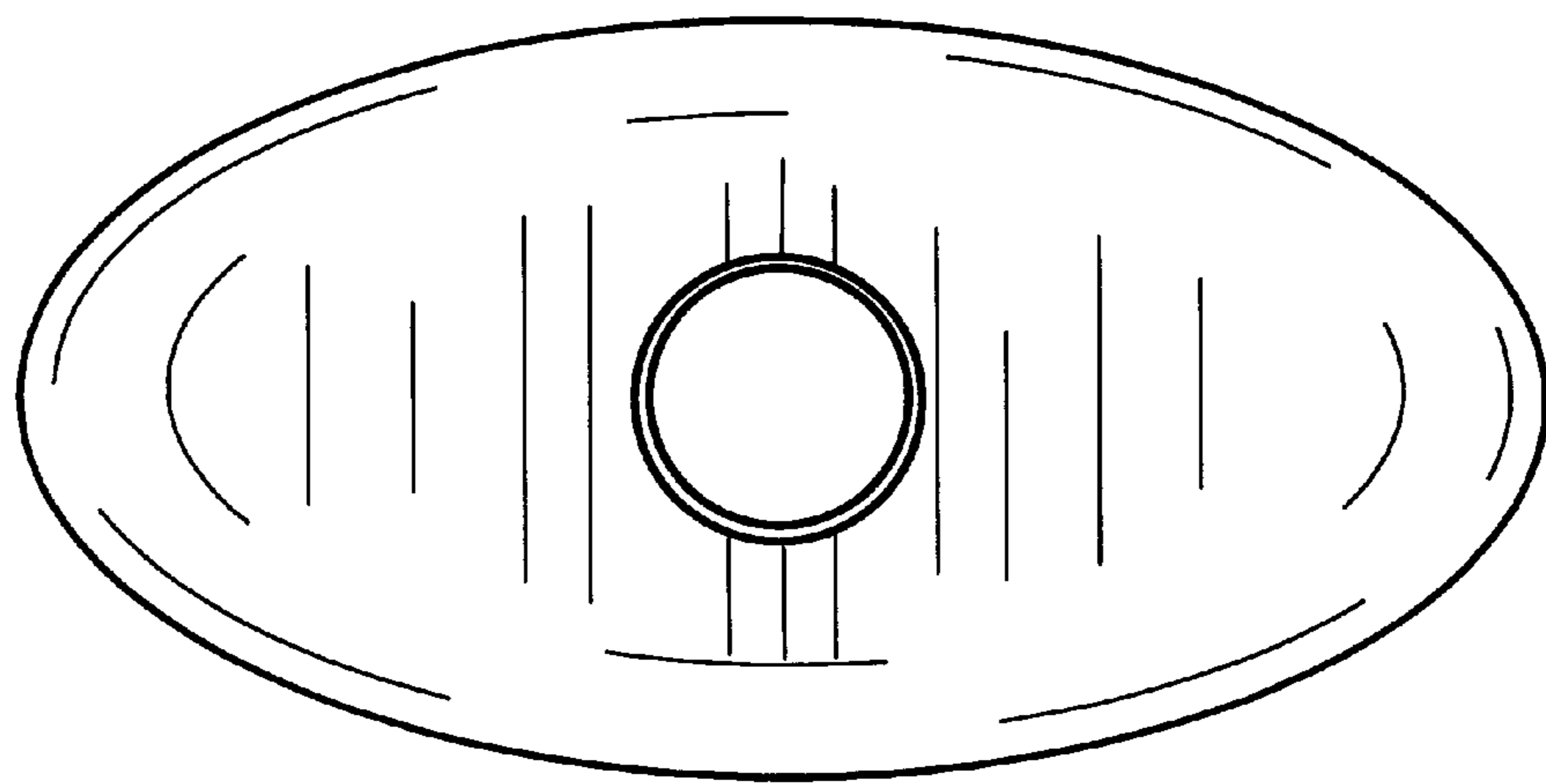


FIG. 5