



US00D417479S

# United States Patent [19]

Mechals, Jr.

[11] **Patent Number: Des. 417,479**

[45] **Date of Patent: \*\* Dec. 7, 1999**

[54] **SWING TRAINING DEVICE FOR A GOLFER**

[75] Inventor: **James L. Mechals, Jr.**, Sweet Home, Oreg.

[73] Assignee: **Lo-Tech Enterprises, Inc.**, Sweet Home, Oreg.

[\*\*] Term: **14 Years**

[21] Appl. No.: **29/086,966**

[22] Filed: **Apr. 23, 1998**

[51] **LOC (6) Cl.** ..... **21-02**

[52] **U.S. Cl.** ..... **D21/791**

[58] **Field of Search** ..... D21/789, 791, D21/722, 400; 473/219-225, 257-264; 84/477 B, 453, 484; 362/102, 186, 558

[56] **References Cited**

**U.S. PATENT DOCUMENTS**

2,242,981	5/1941	Pedersen .....	D21/400
2,681,979	6/1954	Manloff .....	D21/400
3,109,244	11/1963	Trifano et al. ....	35/29
3,384,741	5/1968	Bice .....	240/6.42
4,456,257	6/1984	Perkins .....	273/186 R

4,693,479	9/1987	McGwire .....	273/186 A
5,215,306	6/1993	Cayce .....	473/261
5,269,528	12/1993	McCardle, Jr. ....	273/186.3
5,529,306	6/1996	Staats et al. ....	473/208
5,897,469	4/1999	Yalch .....	482/109

*Primary Examiner*—Mitchell Siegel  
*Attorney, Agent, or Firm*—Chernoff, Vilhauer, McClung & Stenzel, LLP

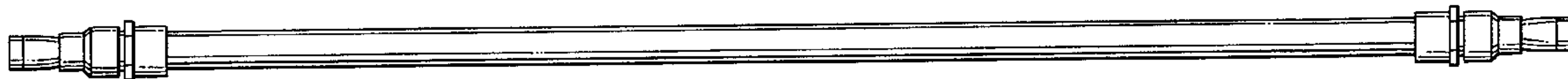
[57] **CLAIM**

The ornamental design for a swing training device for a golfer, as shown and described.

**DESCRIPTION**

FIG. 1 is a front elevational view of a swing training device for a golfer, showing my new and ornamental design, the rear elevational view thereof being identical thereto; FIG. 2 is a top plan view thereof, the bottom plan view thereof being identical thereto; FIG. 3 is a right end elevational view thereof, at an enlarged scale, the left end elevational view thereof being identical thereto; and, FIG. 4 is an enlarged fragmented isometric view of the right end portion of the swing traing device for a golfer.

**1 Claim, 1 Drawing Sheet**



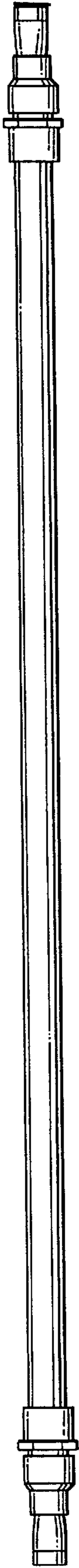


FIG. 1

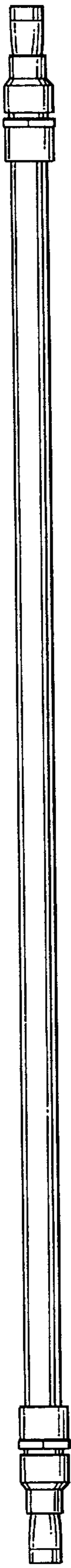


FIG. 2

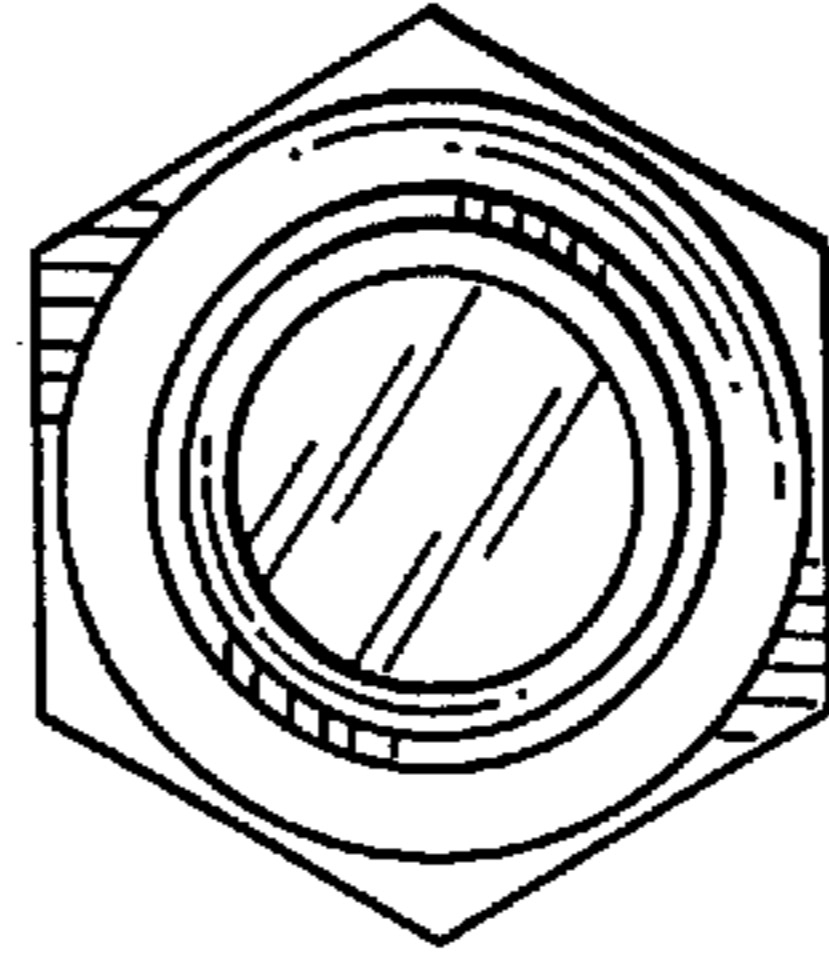


FIG. 3

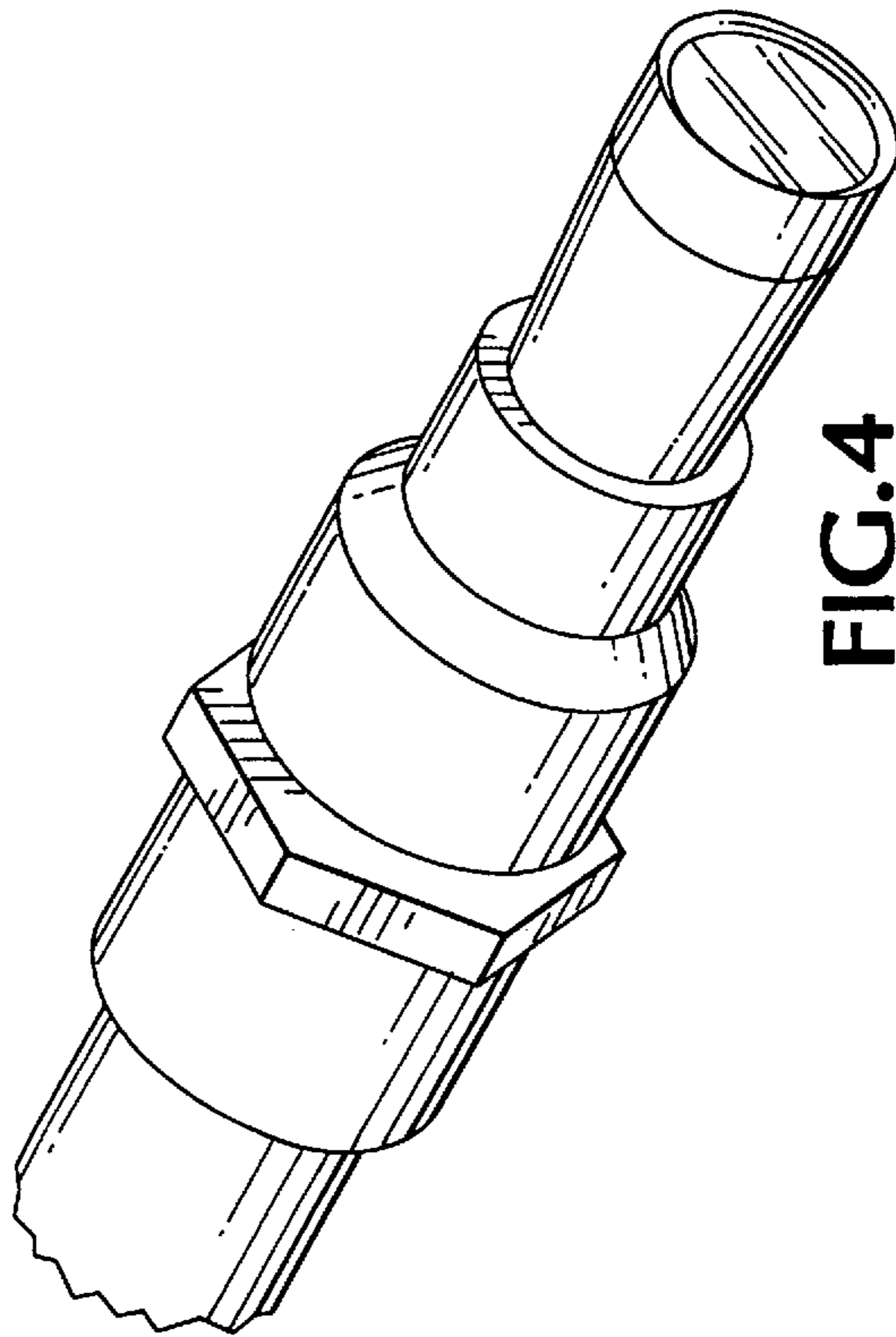


FIG. 4