



US00D417472S

United States Patent [19] Caban

[11] Patent Number: Des. 417,472

[45] Date of Patent: ** Dec. 7, 1999

[54] SCOOTER

3,309,104 3/1967 Gold 280/87.041

[76] Inventor: Edward Caban, 3493 Cessna St., Port Charlotte, Fla. 33948

Primary Examiner—Adir Aronovich
Attorney, Agent, or Firm—Frank A. Lukasik

[**] Term: 14 Years

[57] CLAIM

[21] Appl. No.: 29/067,261

The ornamental design for a scooter, as shown and described.

[22] Filed: Feb. 18, 1997

DESCRIPTION

[51] LOC (6) Cl. 21-01

FIG. 1 is a top perspective view of a scooter.

[52] U.S. Cl. D21/423; D21/765

FIG. 2 is a front view showing my new design.

[58] Field of Search D21/71, 81, 82,
D21/227, 421, 423, 765; 280/87.01, 87.02,
87.041, 87.042; 446/465

FIG. 3 is a rear view showing my new design.

FIG. 4 is a right side view showing my new design.

FIG. 5 is a bottom view showing my new design; and,

FIG. 6 is a top view showing my new design.

[56] References Cited

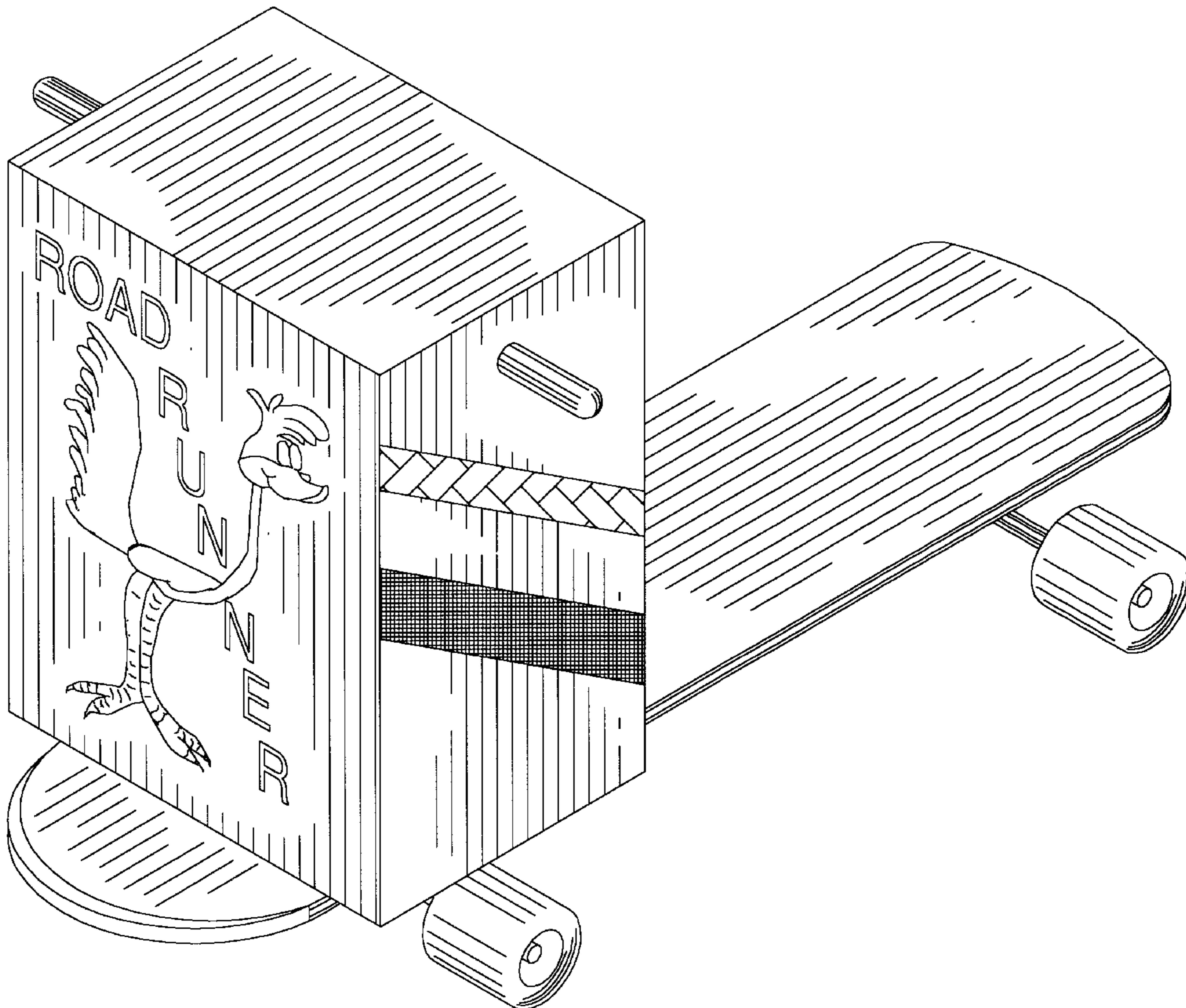
The left side of my new design is a mirror image of FIG. 4.

The name and illustration of the "road runner" forming part of the claimed design is a registered trademark of Time Warner Entertainment Company.

U.S. PATENT DOCUMENTS

| | | | | |
|------------|--------|--------------|-------|---------|
| D. 264,105 | 4/1982 | Dinnocente | | D21/423 |
| D. 295,990 | 5/1988 | Hanna et al. | | D21/423 |
| D. 301,594 | 6/1989 | Simpson | | D21/423 |
| D. 339,388 | 9/1993 | Oswald | | D21/423 |

1 Claim, 6 Drawing Sheets



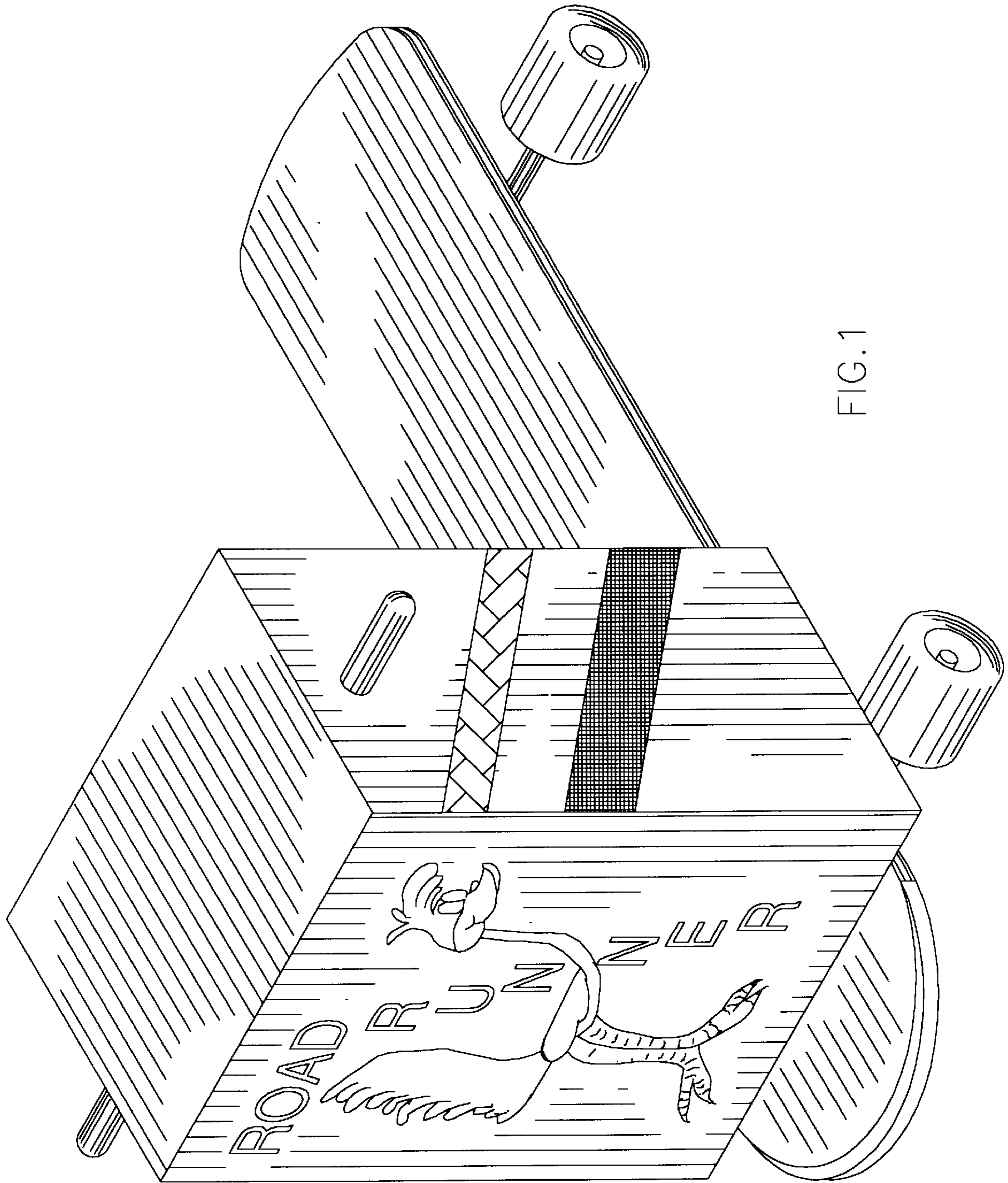


FIG. 1

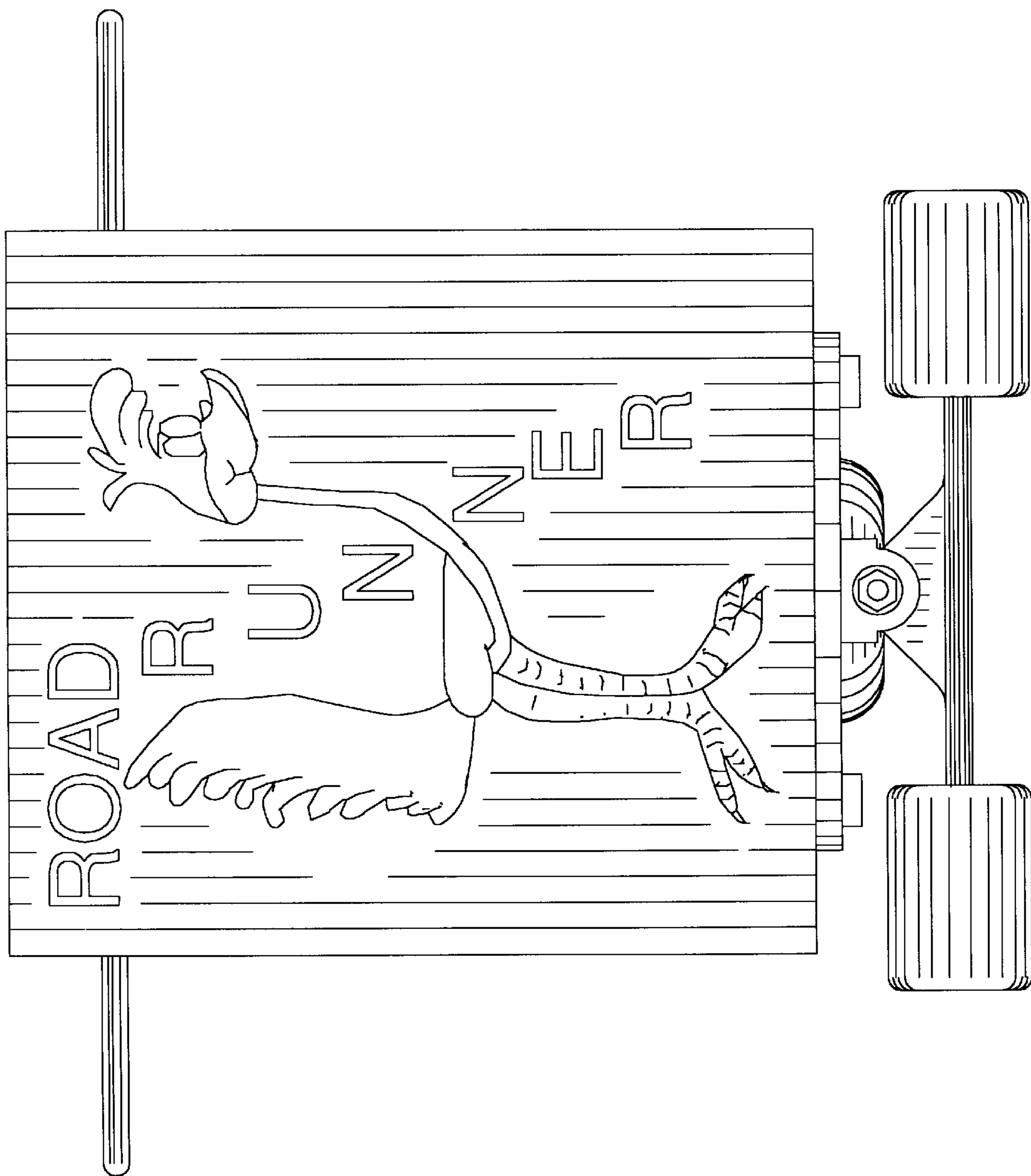


FIG. 2

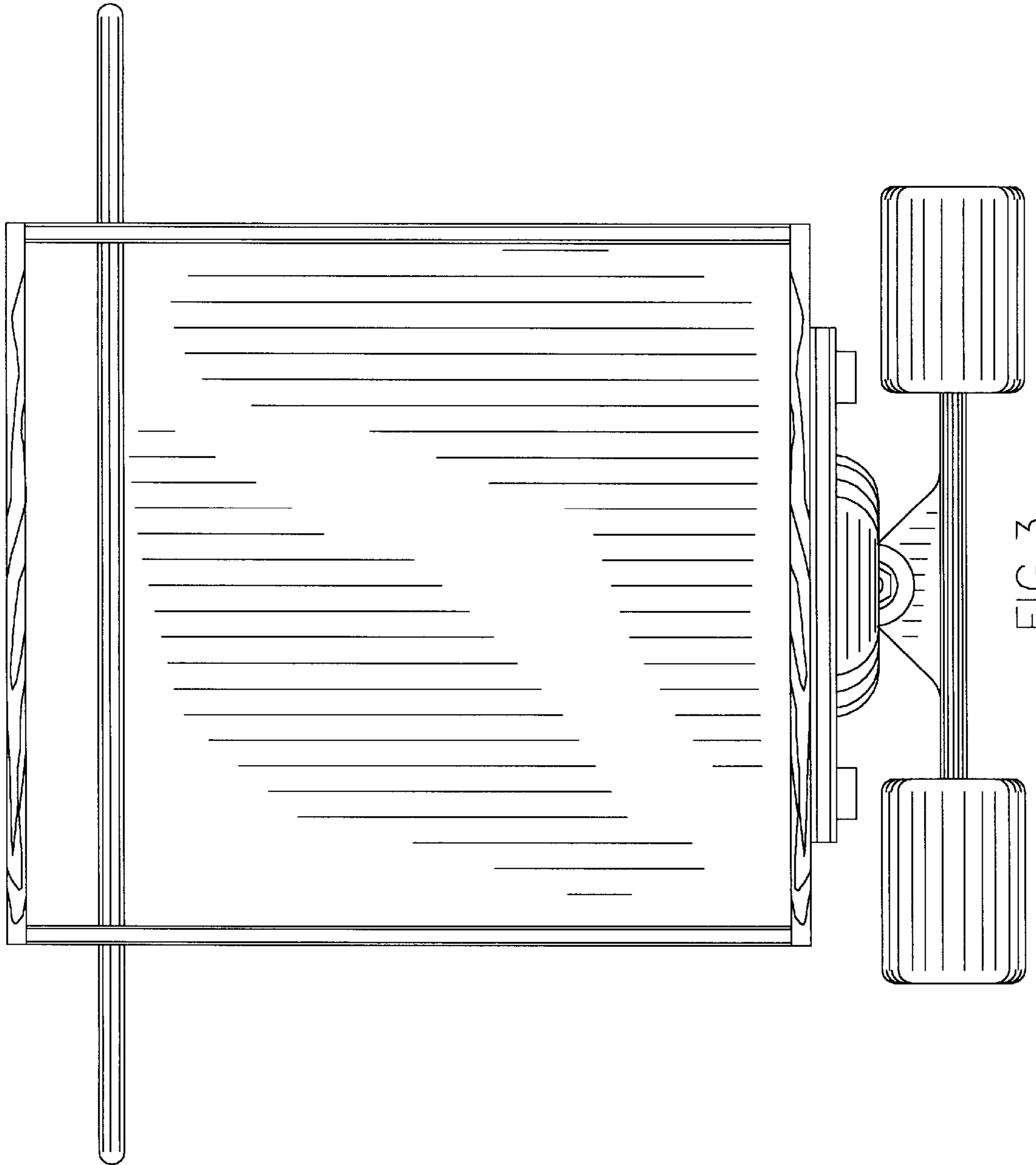


FIG.3

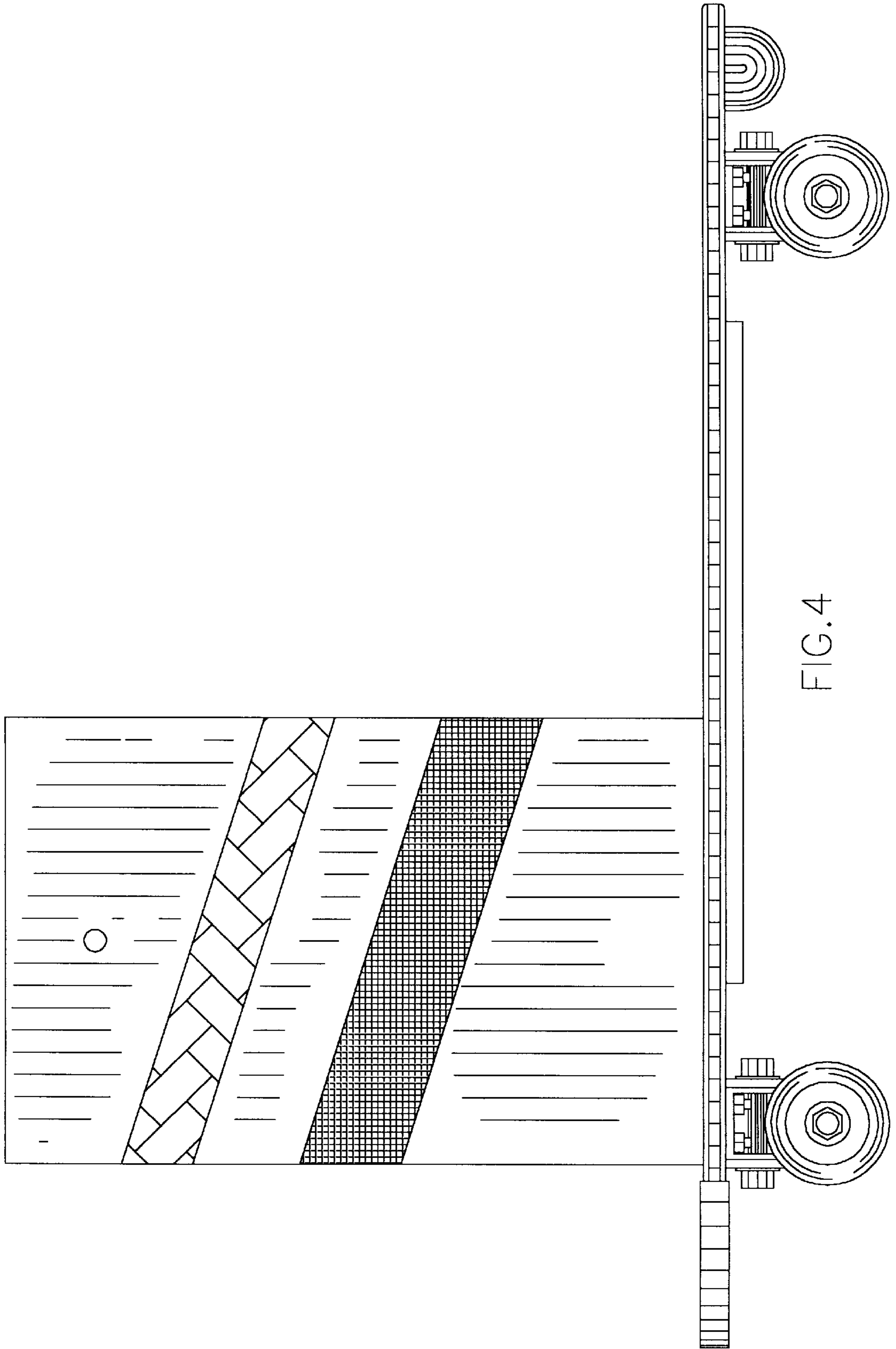


FIG.4

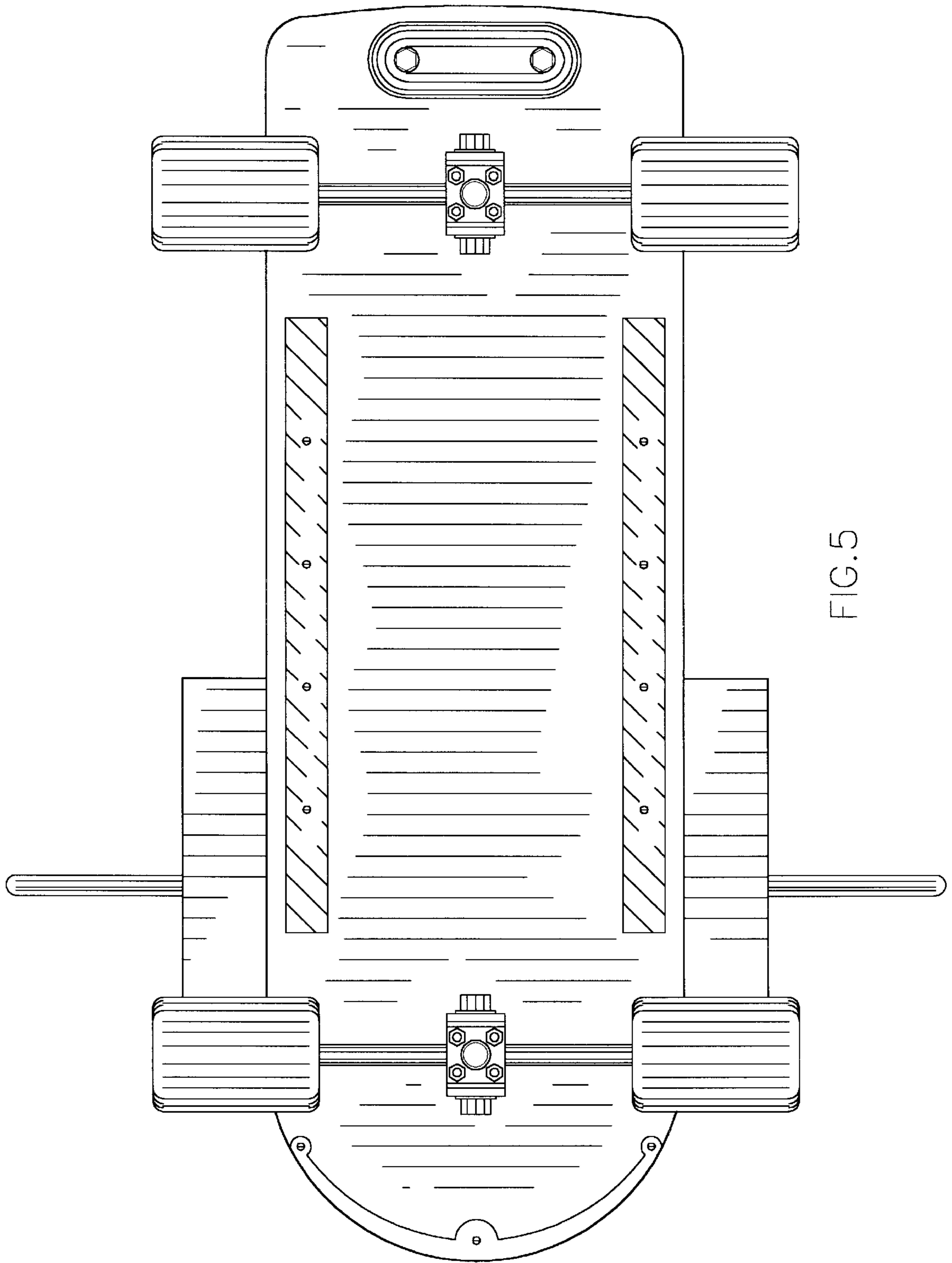


FIG. 5

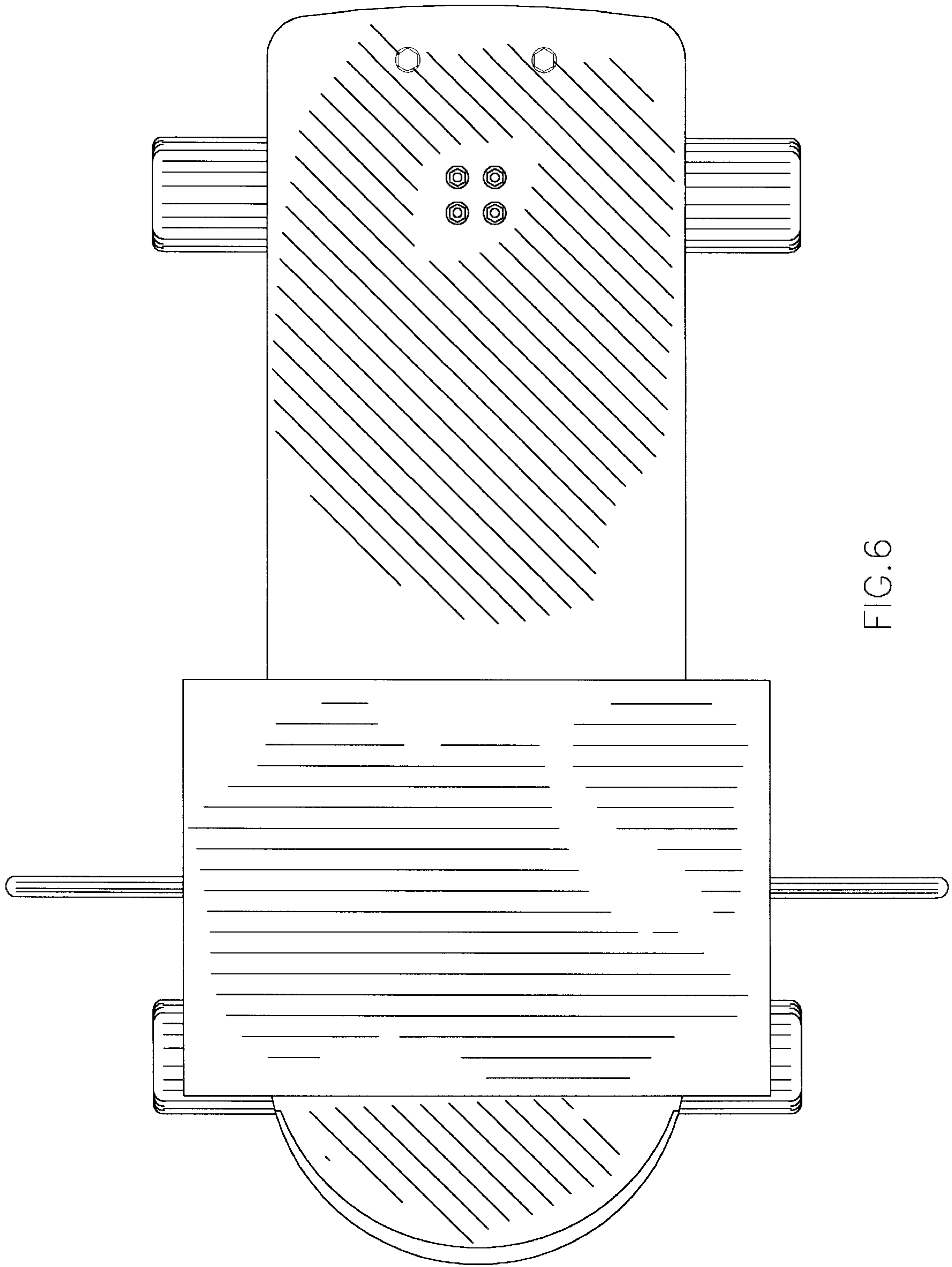


FIG. 6