



US00D417464S

# United States Patent [19] Skopek

[11] **Patent Number: Des. 417,464**

[45] **Date of Patent: \*\* Dec. 7, 1999**

[54] **STAMP**

[75] Inventor: **Karl Skopek**, Thalheim, Austria

[73] Assignee: **Colop Stempelerzeugung Skopek GmbH & Co.**, Wels, Austria

[\*\*] Term: **14 Years**

[21] Appl. No.: **29/084,906**

[22] Filed: **Mar. 12, 1998**

### [30] Foreign Application Priority Data

Sep. 15, 1997 [AT] Austria ..... MU3597/97

[51] **LOC (6) Cl.** ..... **19-02**

[52] **U.S. Cl.** ..... **D18/15**

[58] **Field of Search** ..... D18/14, 15, 18,  
D18/19; D19/65; 101/327, 333, 334, 405,  
406, 371, 372; 401/199; 118/268, 264

### [56] References Cited

#### U.S. PATENT DOCUMENTS

- 61,843 2/1867 Mason .
- D. 101,469 10/1936 Melind .
- D. 311,022 10/1990 Leszczak ..... D18/15
- D. 319,462 8/1991 Shih ..... D18/15
- D. 371,386 7/1996 Smith ..... D18/15
- D. 400,566 11/1998 Schreiberhuber ..... D18/15
- 4,013,007 3/1977 Flynn ..... 101/333

#### OTHER PUBLICATIONS

Abstract of Austrian Design Registration No. 20292, published Apr. 20, 1996.

Abstract of Austrian Design Registration No. 25185, published May 20, 1997.

British Design Registration No. 2065671, granted Sep. 2, 1997.

International Deposit Certificate in International Register of Industrial Designs, DM/039 913, Apr. 18, 1997.

*Marking Industry Magazine*, May 1991, Advertisement for Pryor Marking Products, Inc. p. 23.

*Primary Examiner*—Louis S. Zarfes

*Assistant Examiner*—G. Andoll

*Attorney, Agent, or Firm*—Baker & Botts, L.L.P.

### [57] CLAIM

The ornamental design for a stamp, as shown and described.

### DESCRIPTION

FIG. 1 is a front elevational view of a stamp according to our new design.

FIG. 2 is a rear elevational view of the stamp.

FIG. 3 is a right side elevational view of the stamp. The left side is a mirror image of FIG. 3.

FIG. 4 is a top plan view of the stamp.

FIG. 5 is a bottom plan view of the stamp.

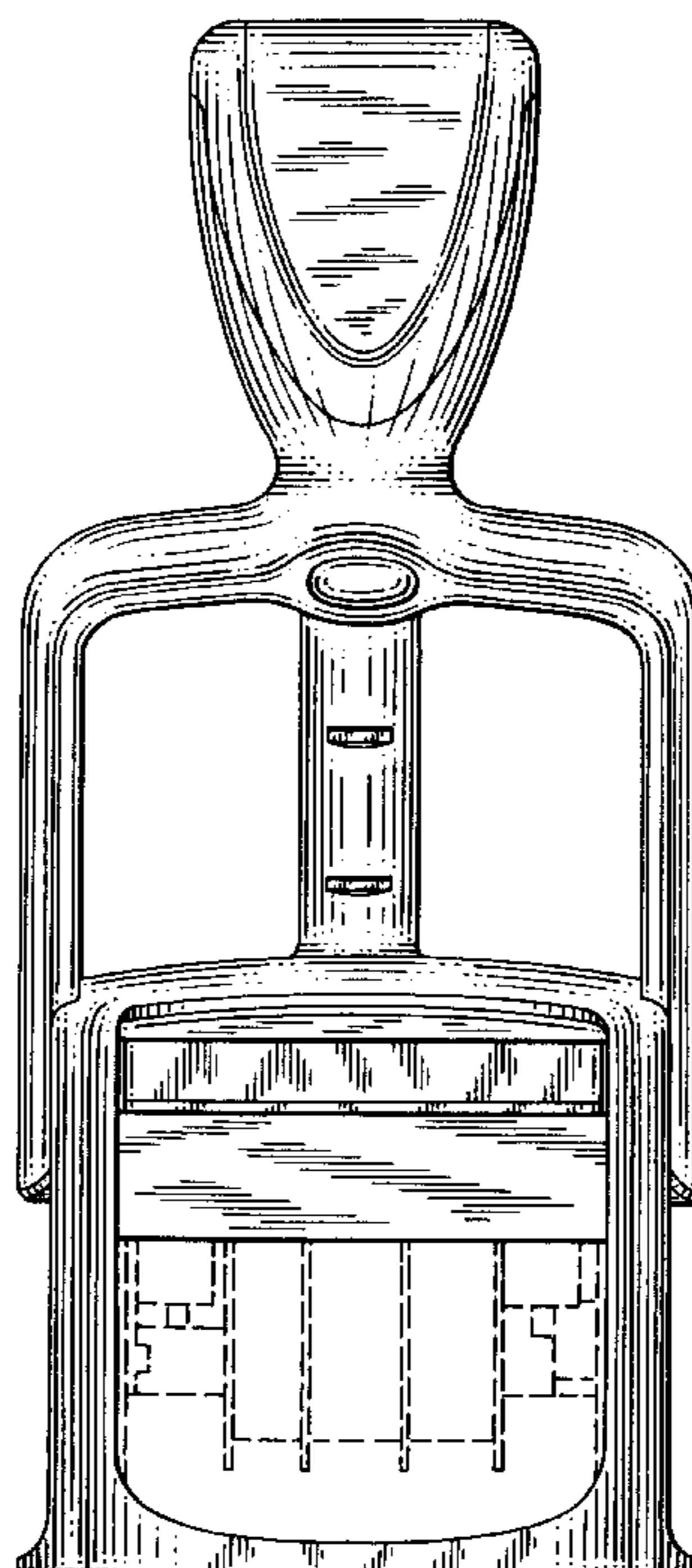
FIG. 6 is a perspective view of the stamp; and,

FIG. 7 is a front elevation view of an alternative embodiment of the stamp showing a modified front face. The rear, and bottom views of the alternative embodiment are identical to FIGS. 2, and 5, respectively.

The surfaces of the alternative embodiment that are not shown form no part of the claimed design of the alternative embodiment.

The data imprinting mechanism is shown in dashed line in FIGS. 1, 2, 3, 5, 6 and 7 for illustrative purposes only and forms no part of the claimed design.

**1 Claim, 3 Drawing Sheets**



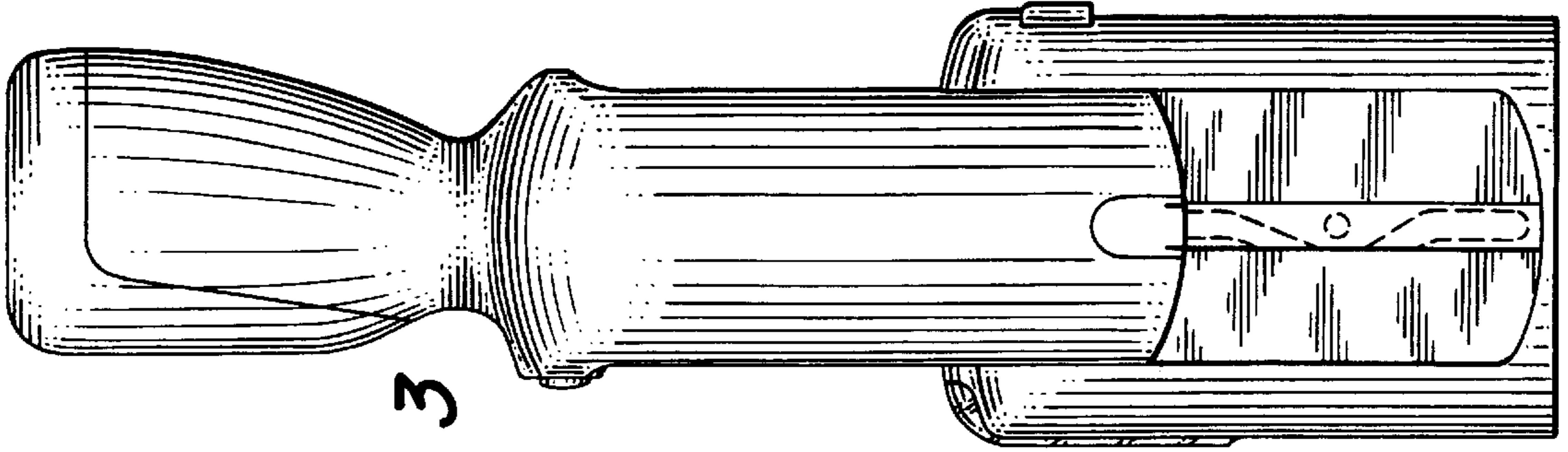


FIG. 3

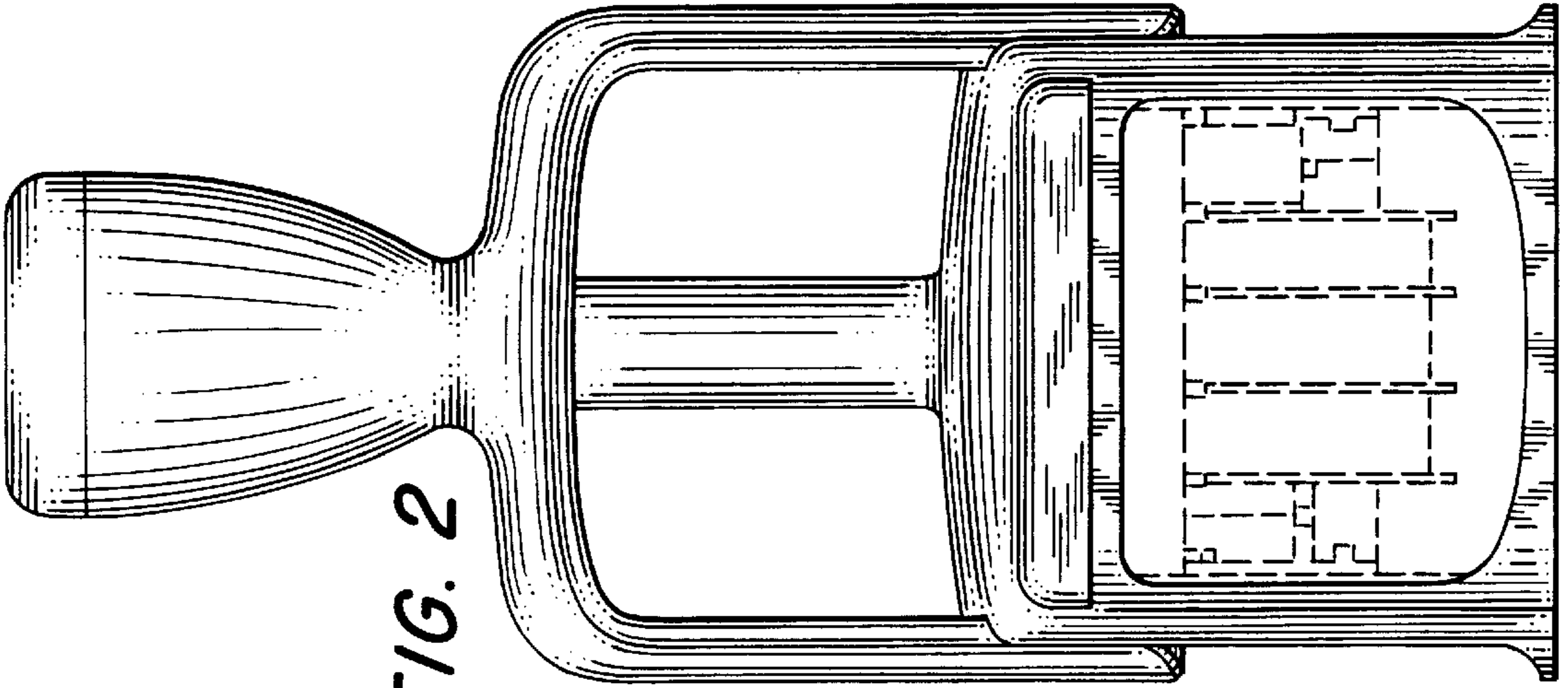


FIG. 2

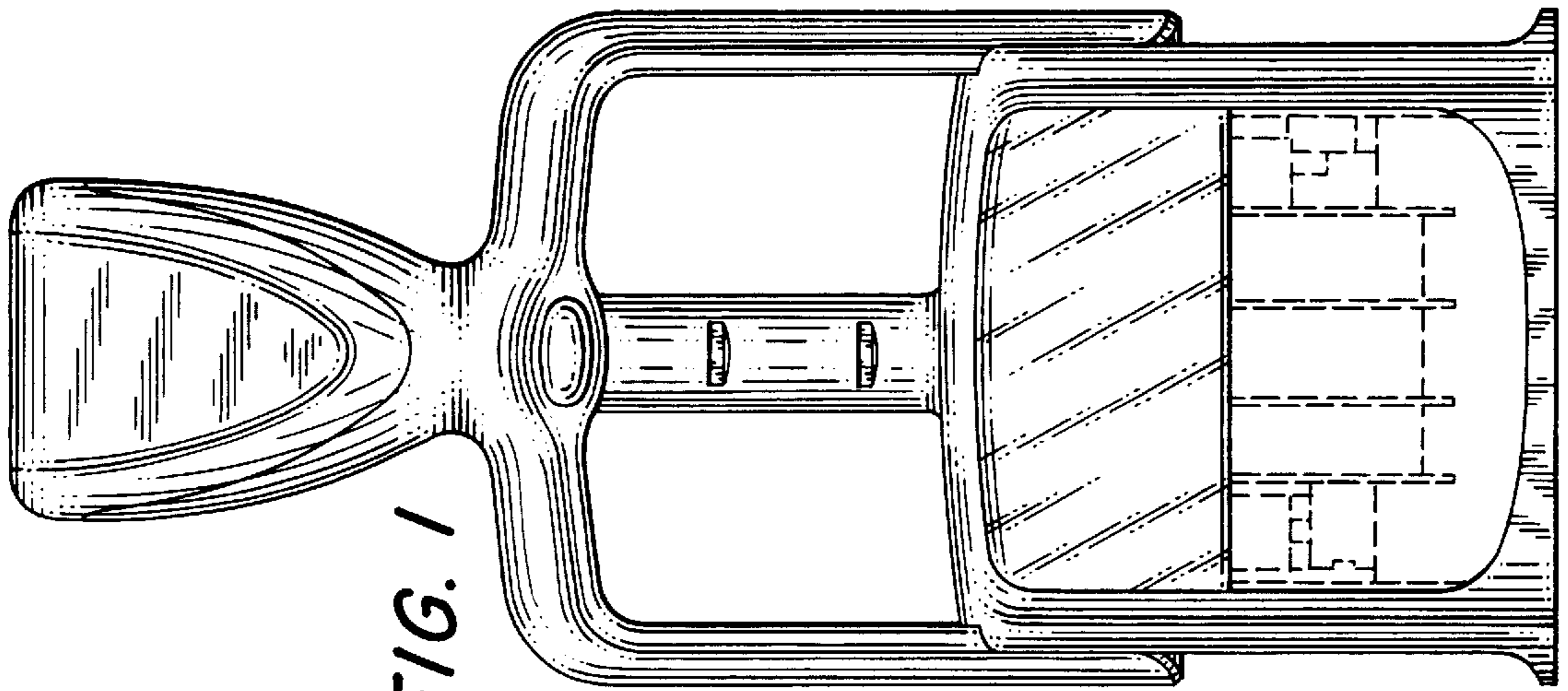


FIG. 1

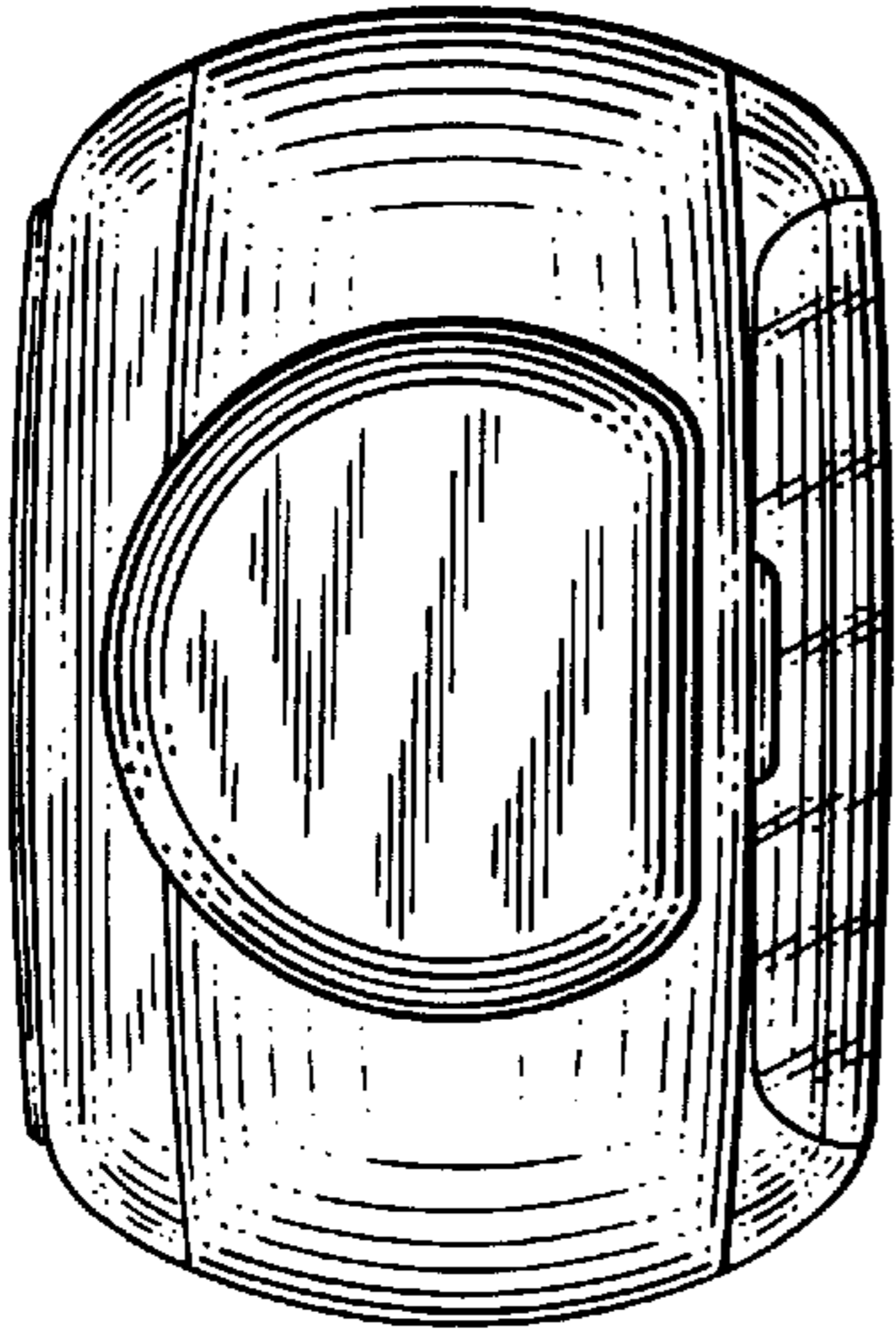


FIG. 4

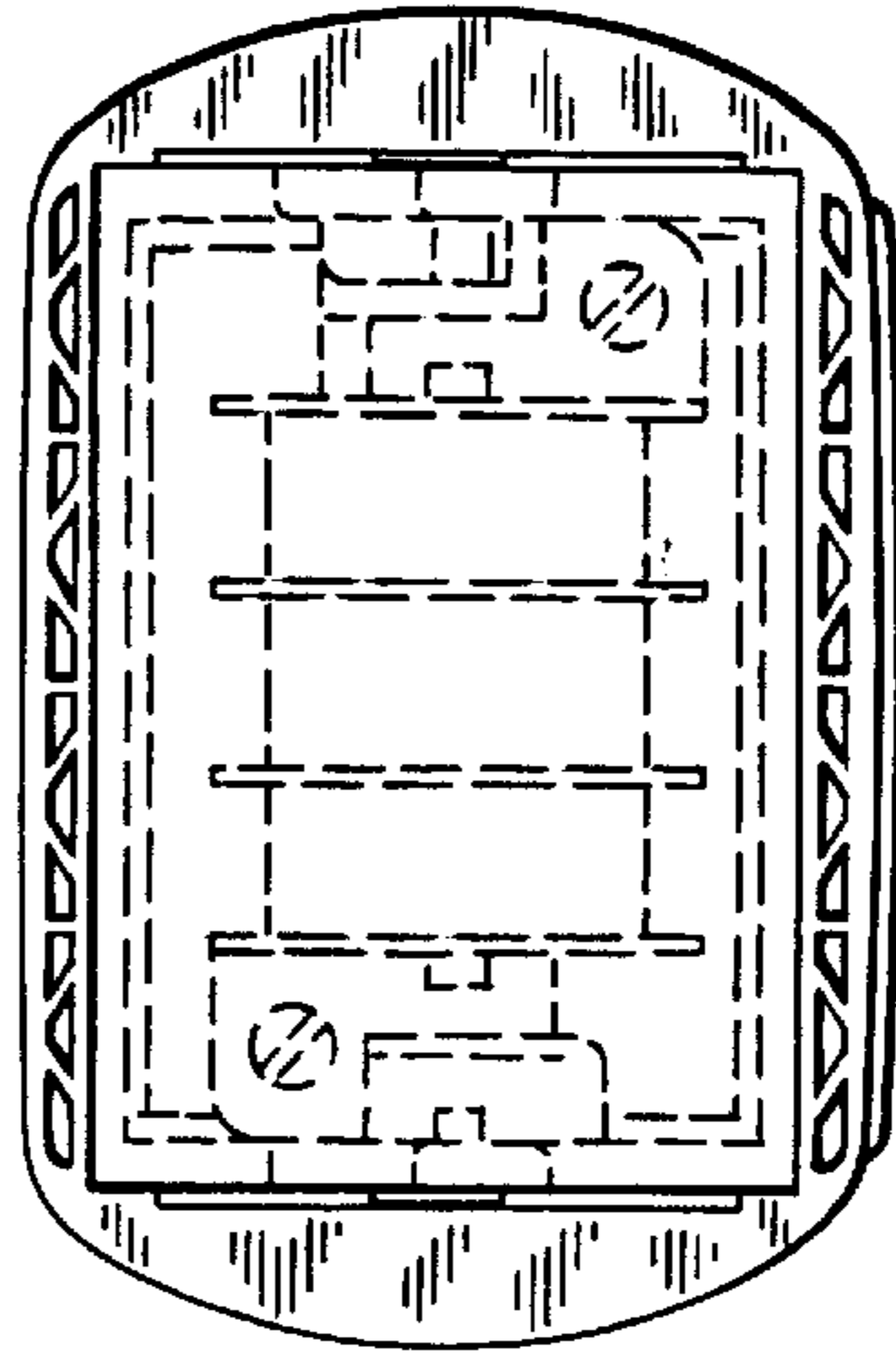


FIG. 5

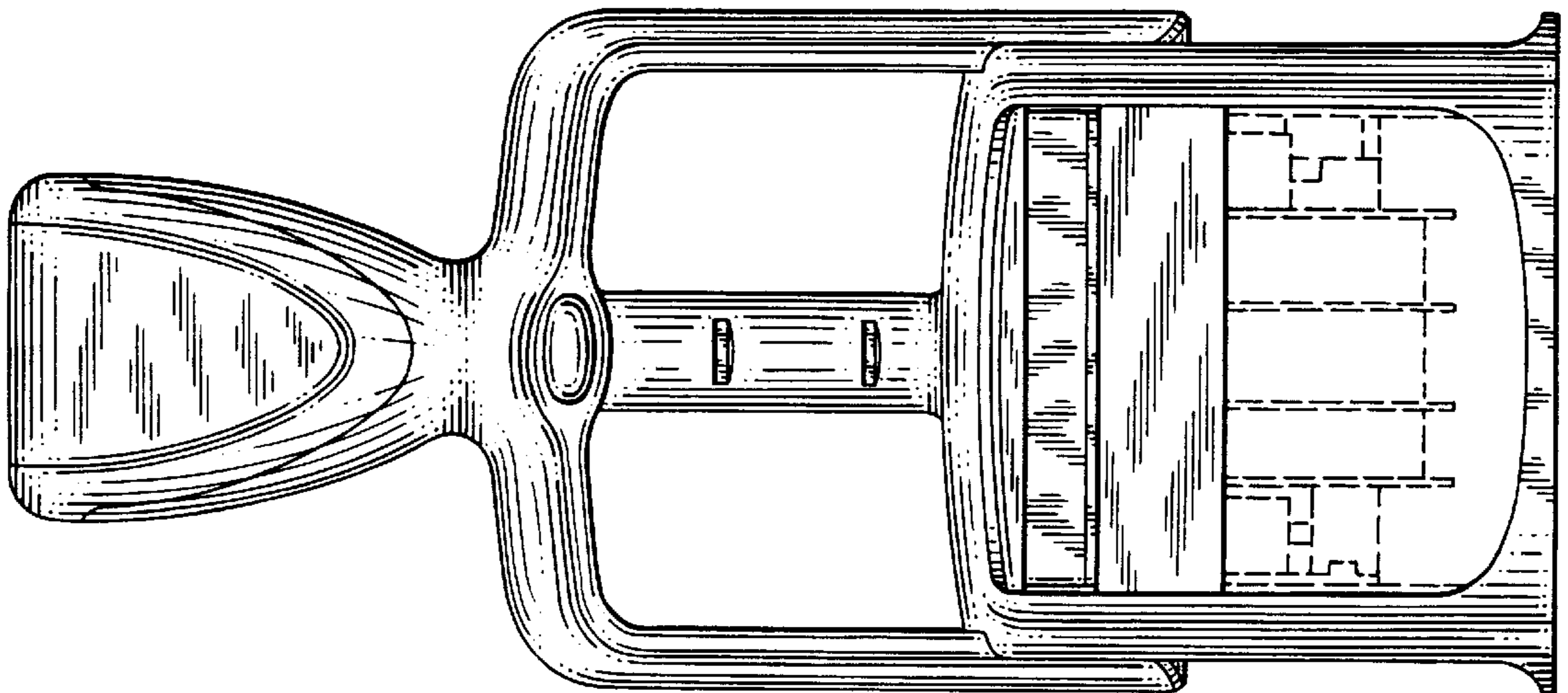
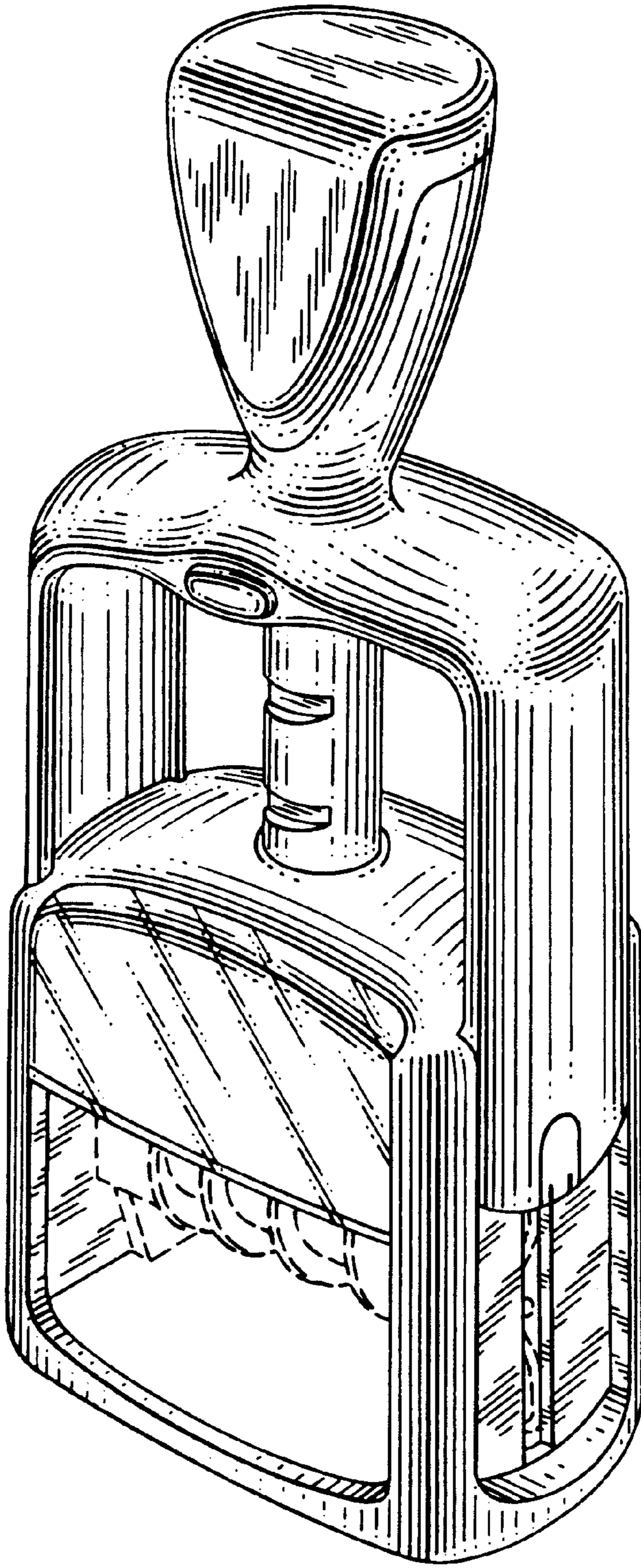


FIG. 7





*FIG. 6*