



US00D417463S

United States Patent [19] Stepan

[11] **Patent Number: Des. 417,463**

[45] **Date of Patent: ** Dec. 7, 1999**

[54] **TEMPLE BAR PIECE**

[75] Inventor: **Walter Stepan**, Lincoln, R.I.

[73] Assignee: **Bacou USA Safety, Inc.**, Smithfield, R.I.

[**] Term: **14 Years**

[21] Appl. No.: **29/073,165**

[22] Filed: **Jul. 2, 1997**

[51] **LOC (6) Cl.** **16-06**

[52] **U.S. Cl.** **D16/335**

[58] **Field of Search** D16/300-330,
D16/335-337; 351/111, 118-119, 158;
2/447-449; D29/109-110

[56] **References Cited**

U.S. PATENT DOCUMENTS

- D. 314,391 2/1991 Nussbickl .
- D. 314,392 2/1991 Feinbloom D16/338
- D. 333,312 2/1993 Paysan et al. D16/321
- D. 334,758 4/1993 Reymondet et al. D16/320
- D. 336,097 6/1993 Wiedner .

- D. 380,003 6/1997 Wiedner D16/337
- D. 389,852 1/1998 Mage D16/321
- 4,963,013 10/1990 Bononi 351/111
- 4,991,952 2/1991 Grau .
- 5,146,623 9/1992 Paysan et al. 2/449

Primary Examiner—Raphael Barkai
Attorney, Agent, or Firm—Salter & Michaelson

[57] **CLAIM**

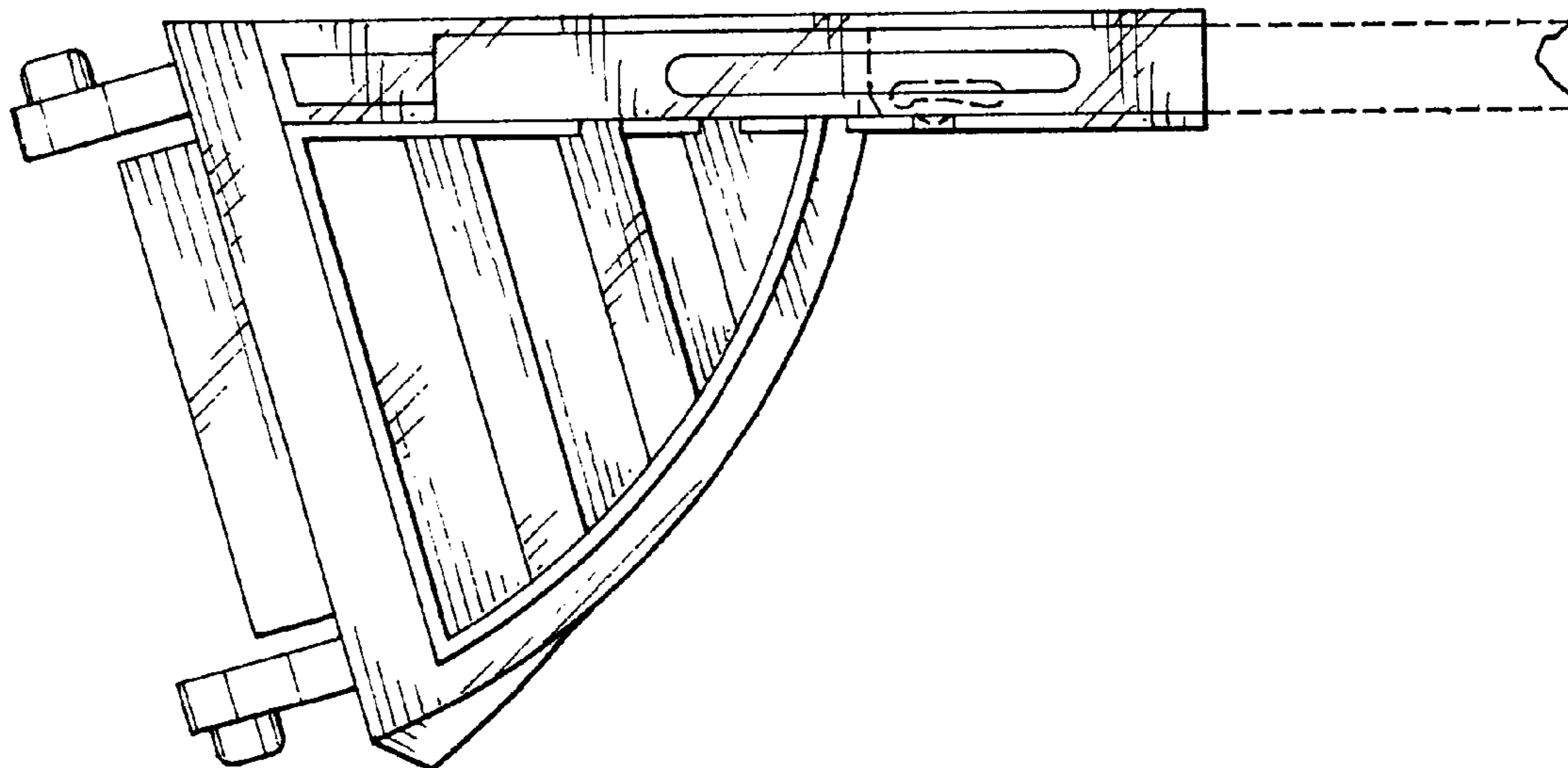
The ornamental design for a temple bar piece, as shown and described.

DESCRIPTION

FIG. 1 is a right side view illustrating my new design for a temple bar piece;
FIG. 2 is a left side view thereof;
FIG. 3 is a top view thereof;
FIG. 4 is a bottom view thereof;
FIG. 5 is a front end view thereof; and,
FIG. 6 is a rear end view thereof.

The telescoping ear piece illustrated in broken lines in FIG. 1 is intended for environmental purposes only, and is not intended to form part of the claimed design.

1 Claim, 2 Drawing Sheets



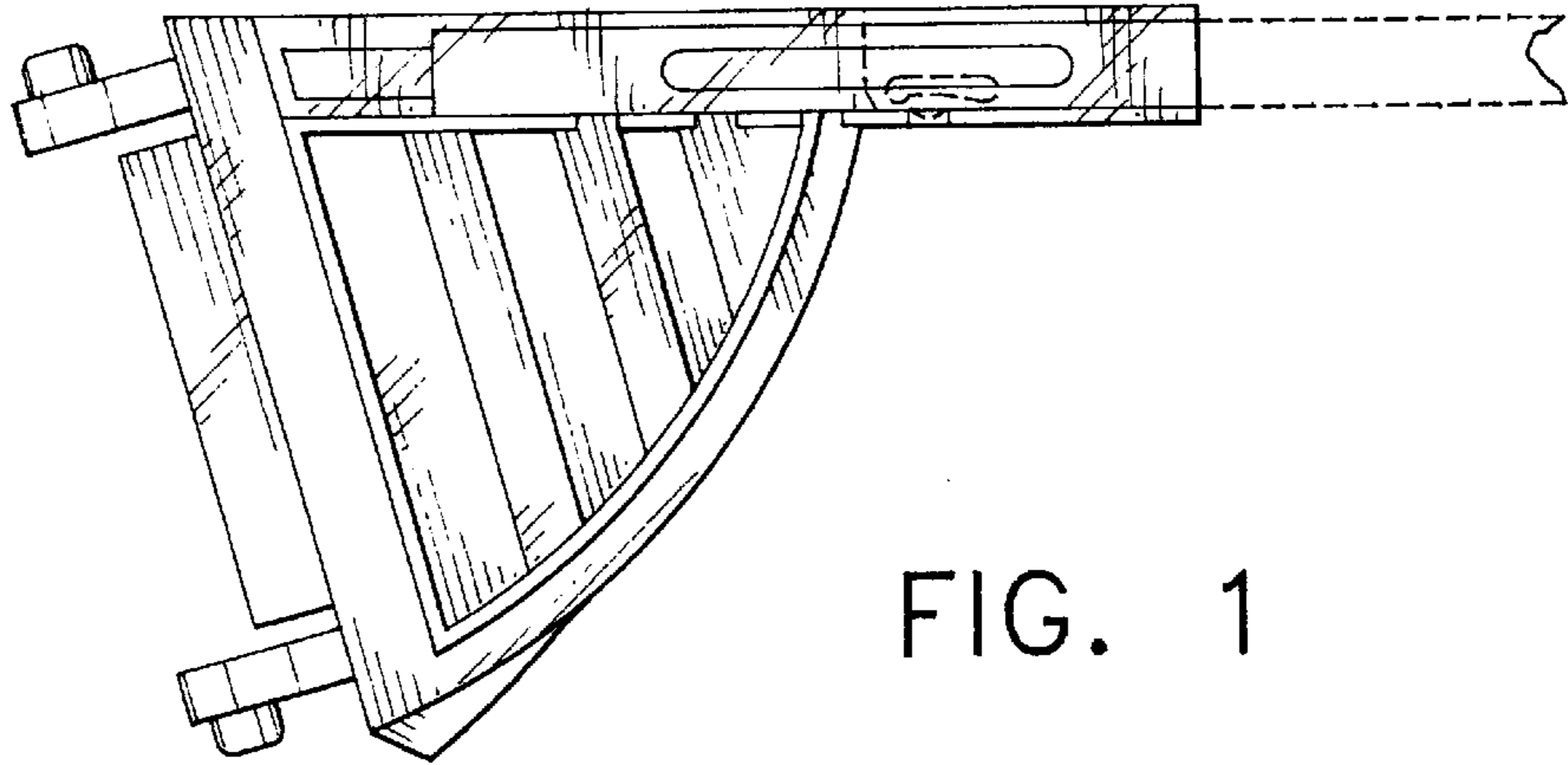


FIG. 1

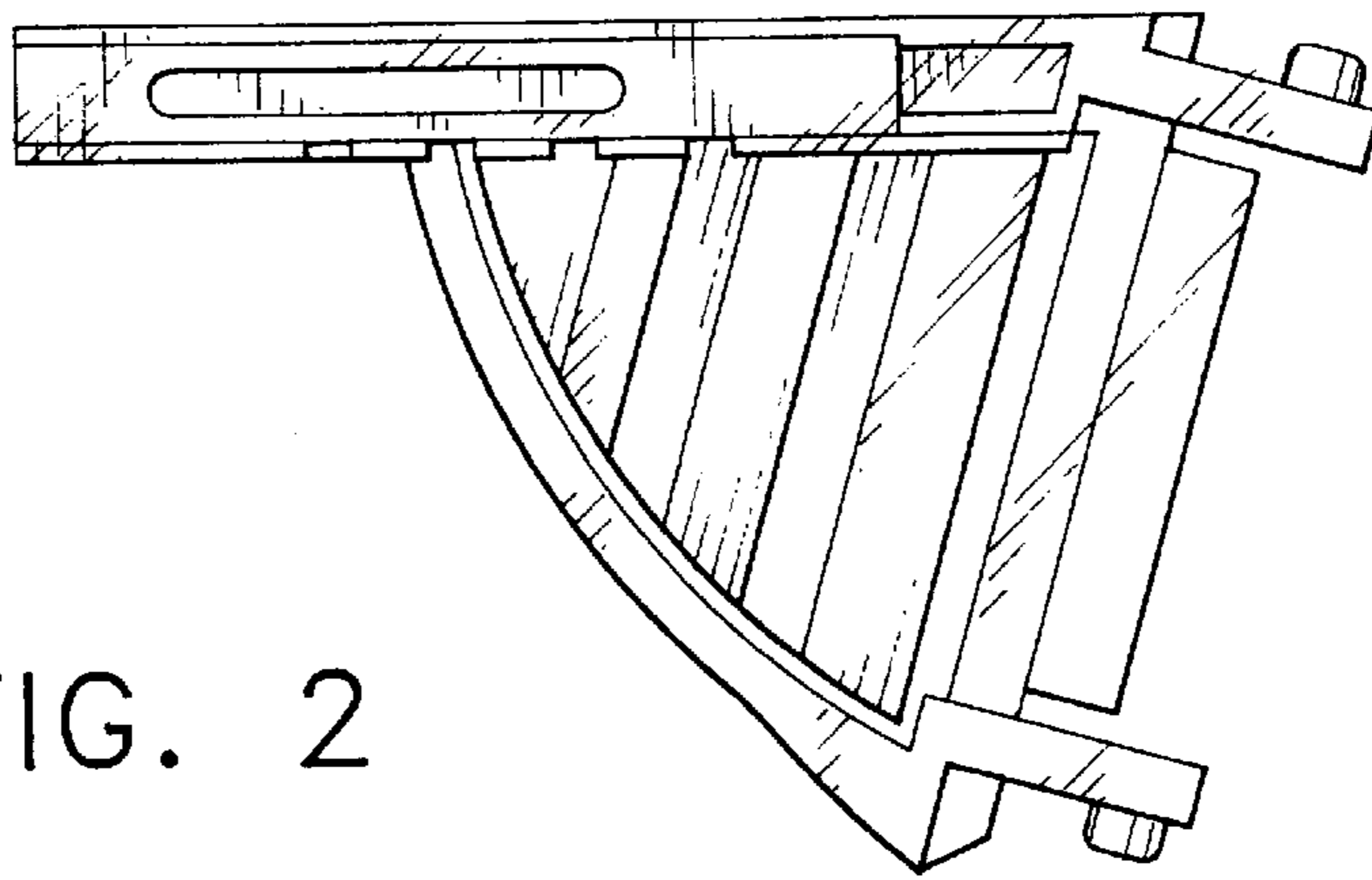


FIG. 2

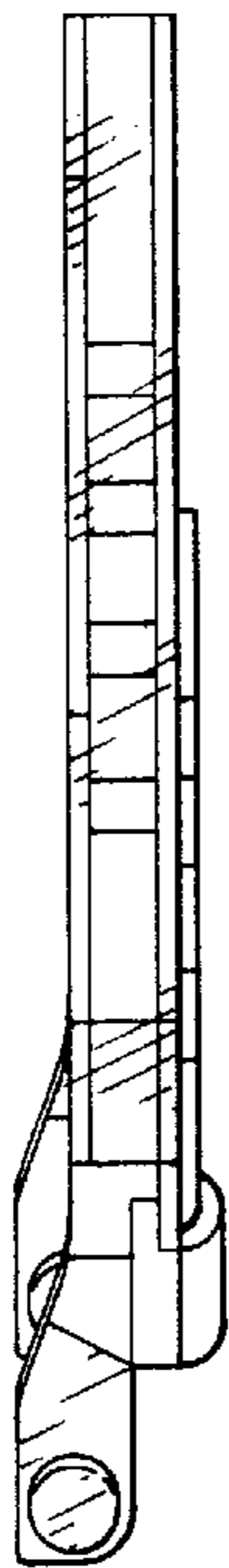


FIG. 3

FIG. 4

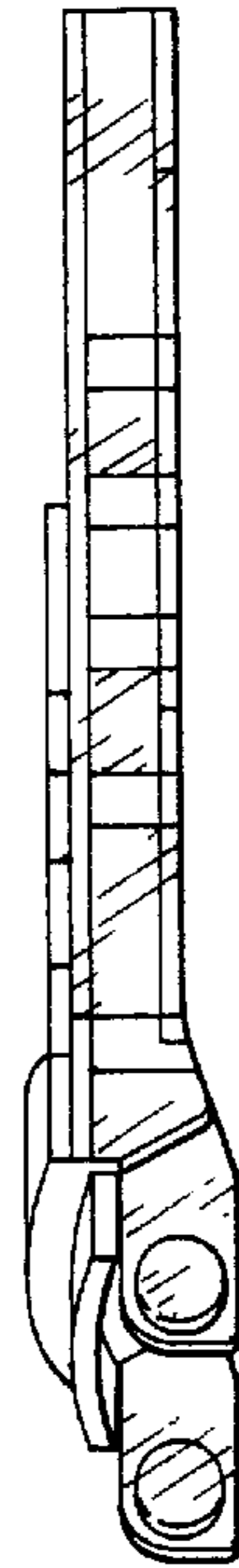




FIG. 5

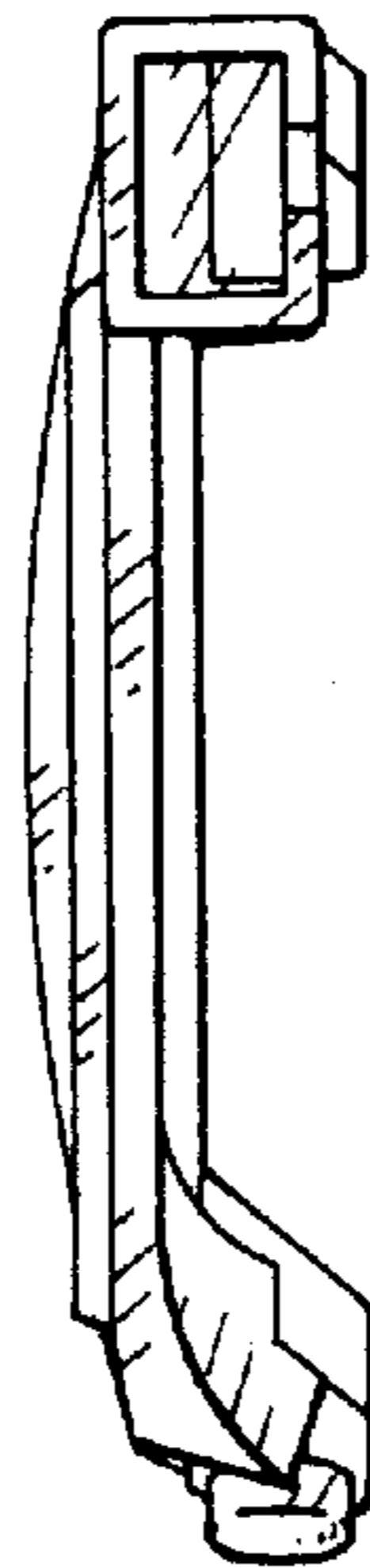


FIG. 6