



US00D417460S

United States Patent [19]
Gassmann

[11] **Patent Number: Des. 417,460**

[45] **Date of Patent: ** Dec. 7, 1999**

[54] **TORQUE ARM**

[75] Inventor: **Theodor Gassmann**, Rochester Hills, Mich.

[73] Assignee: **GKN Automotive, Inc.**, Auburn Hills, Mich.

[**] Term: **14 Years**

[21] Appl. No.: **29/088,404**

[22] Filed: **May 22, 1998**

[51] **LOC (6) Cl.** **15-09**

[52] **U.S. Cl.** **D15/148; D15/149**

[58] **Field of Search** **D15/148, 149; 192/59; 74/650; 180/248**

[56] **References Cited**

U.S. PATENT DOCUMENTS

5,226,860 7/1993 Baxter, Jr. et al. 180/248 X

Primary Examiner—Antoine Duval Davis
Attorney, Agent, or Firm—Mick A. Nylander

[57] **CLAIM**

The ornamental design for a torque arm, as shown and described.

DESCRIPTION

FIG. 1 is a perspective view of an embodiment of my new design;

FIG. 2 is a left side elevational view of the embodiment;

FIG. 3 is a right side elevational view of the embodiment;

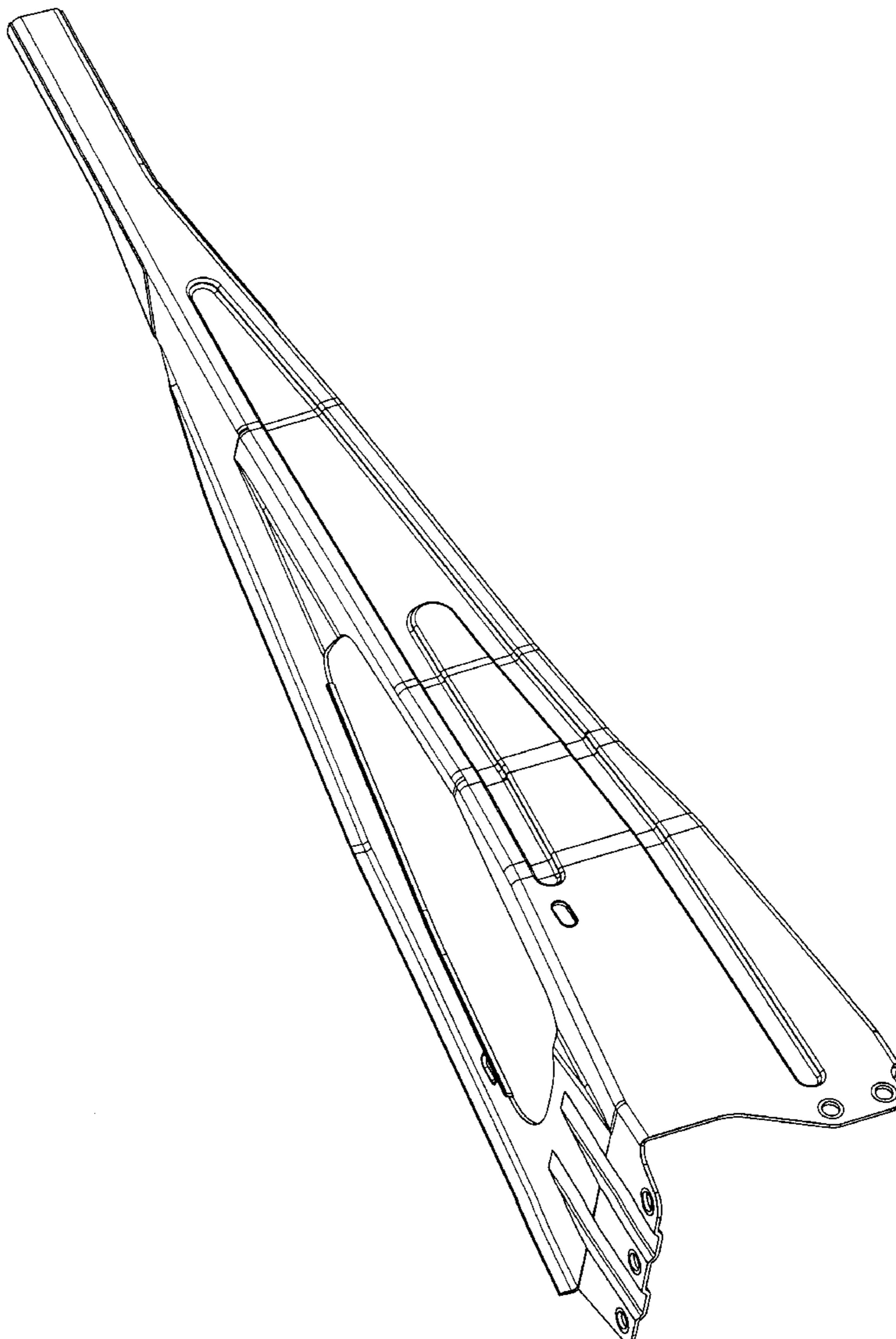
FIG. 4 is front elevational view of the embodiment;

FIG. 5 is a rear elevational view of the embodiment;

FIG. 6 is a top elevational view of the embodiment; and,

FIG. 7 is a bottom elevational view of the embodiment.

1 Claim, 7 Drawing Sheets



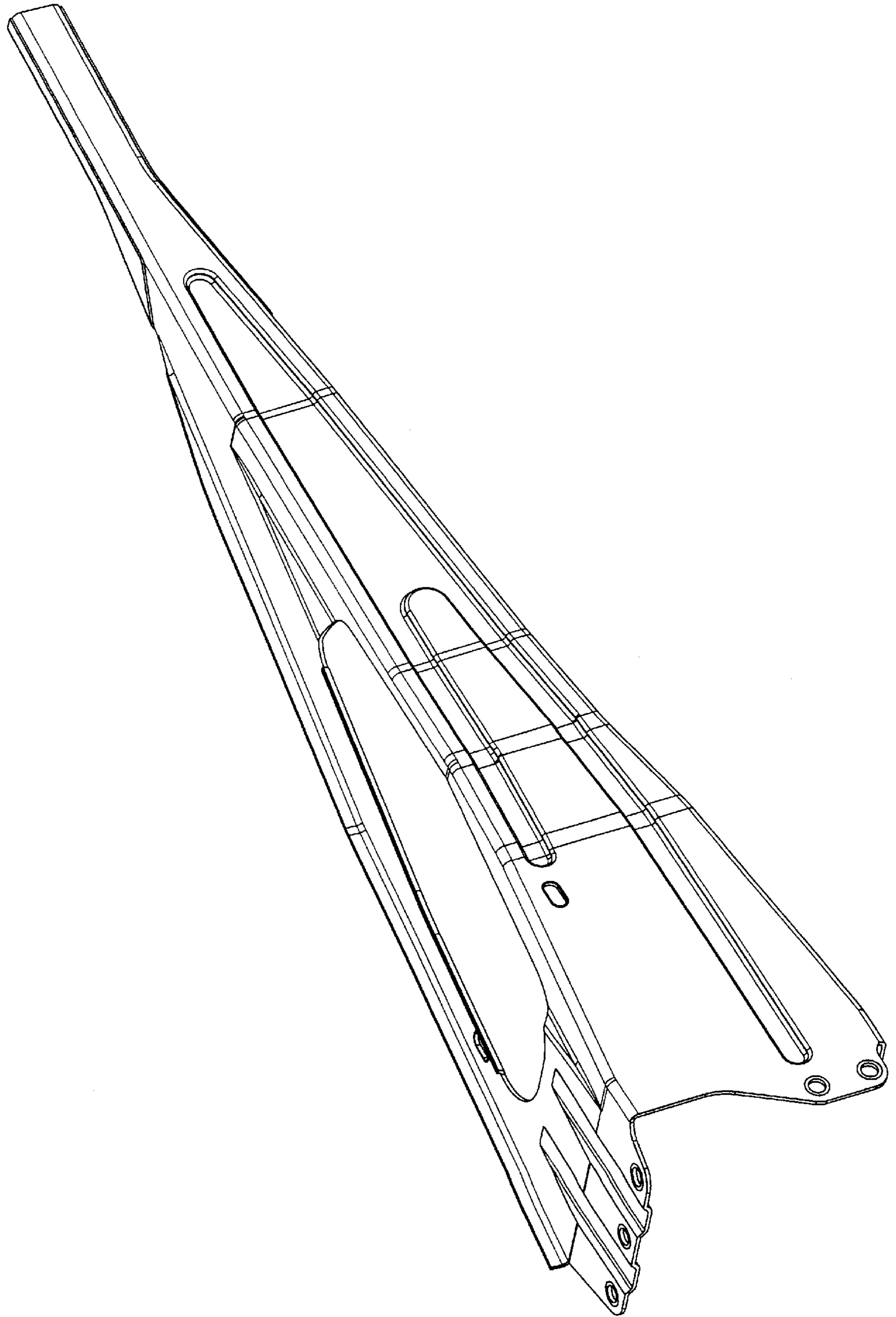


FIGURE 1

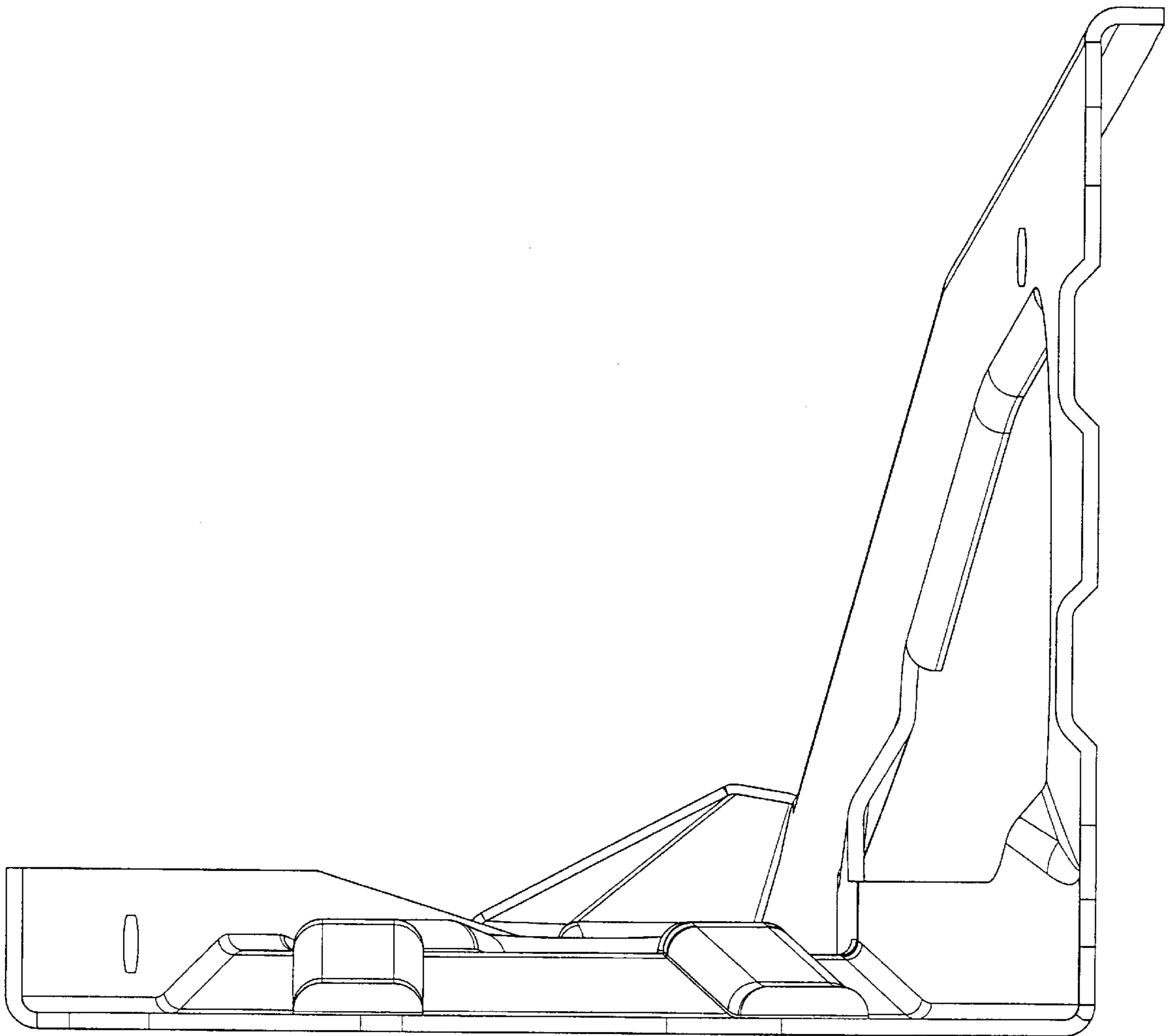


FIGURE 2

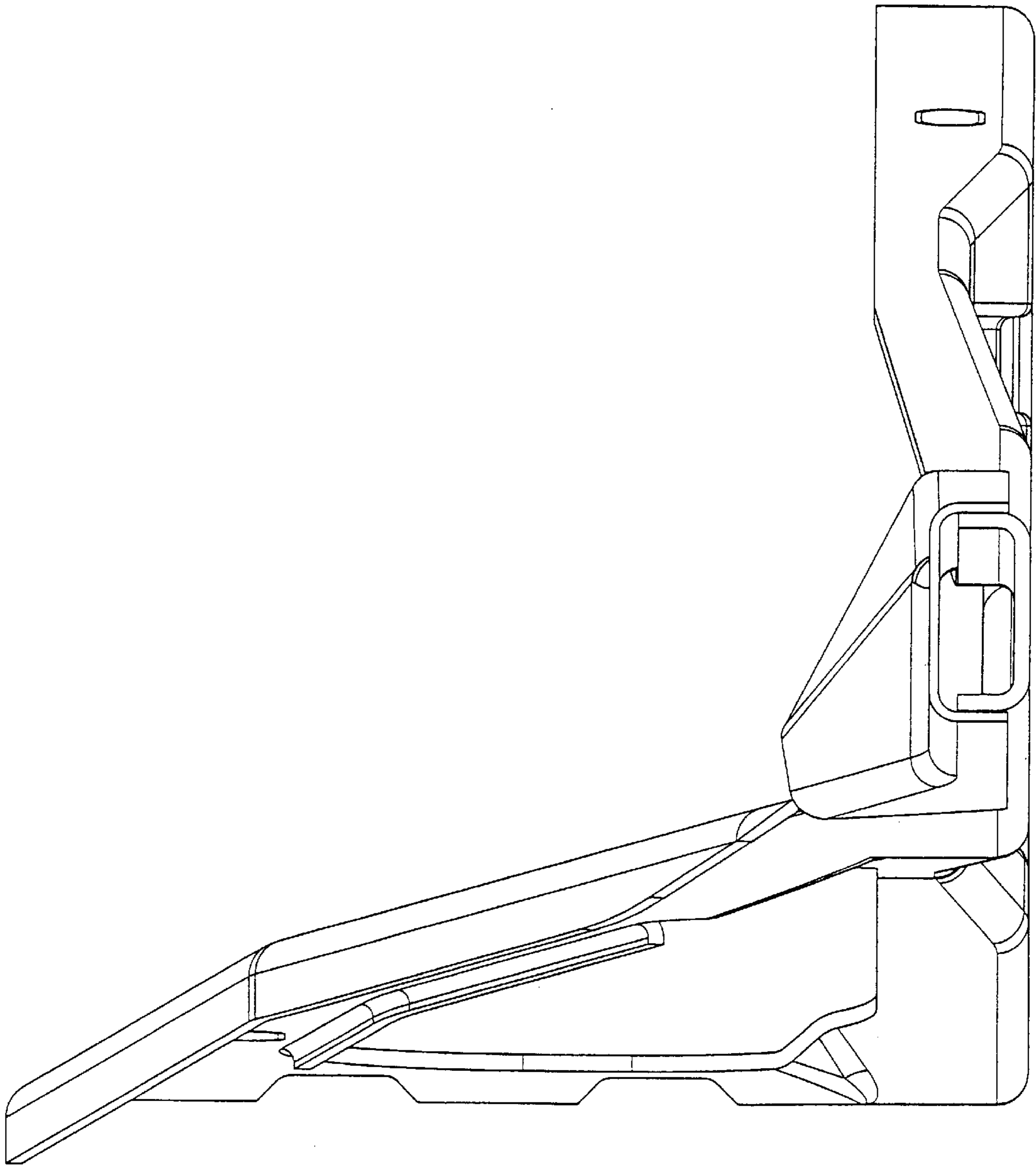


FIGURE 3

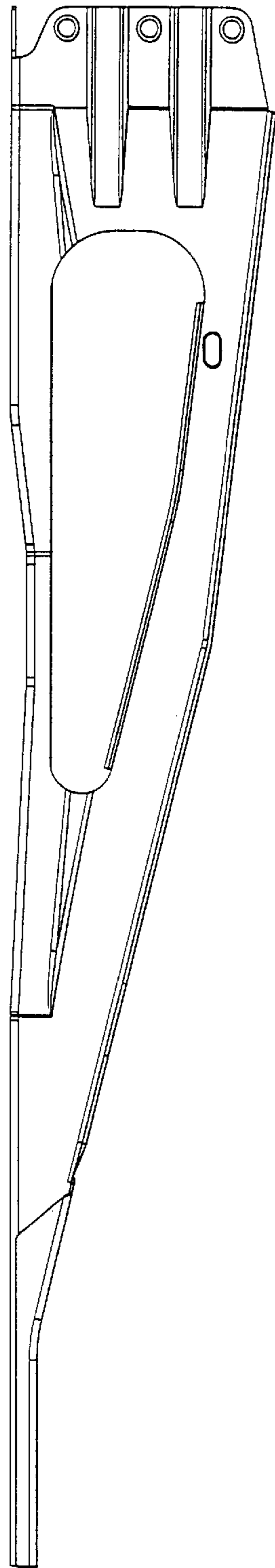


FIGURE 4

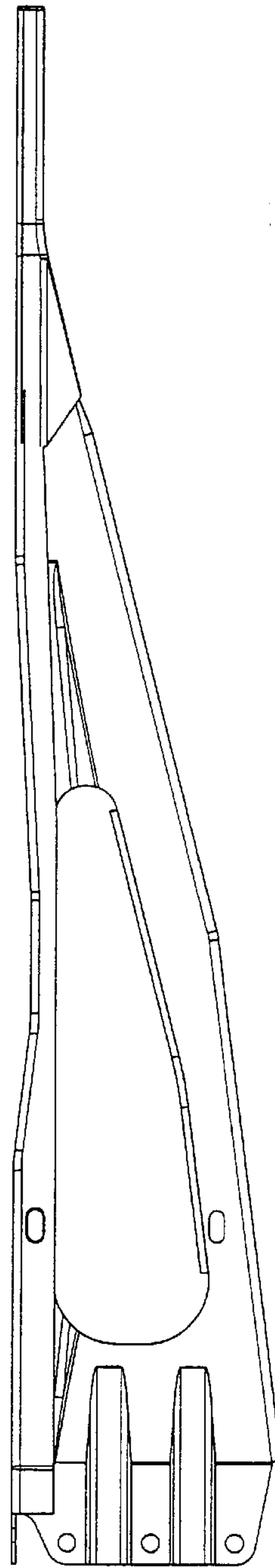


FIGURE 5

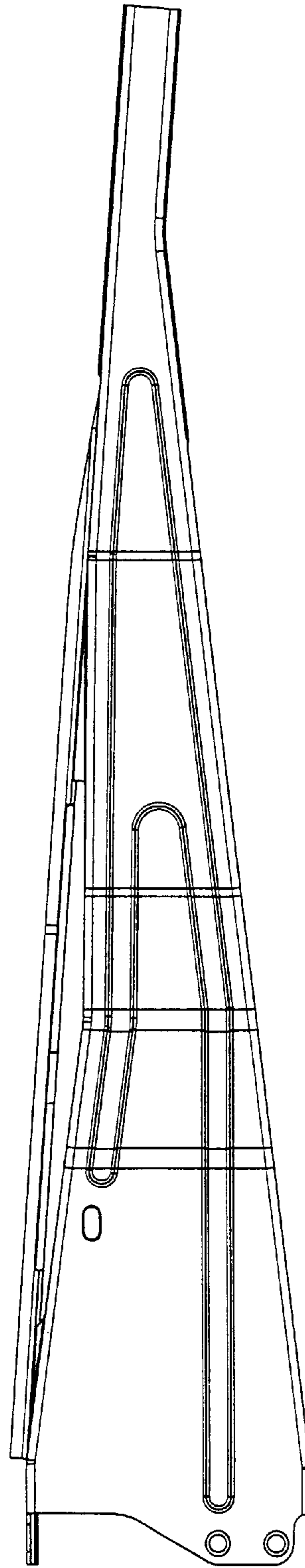


FIGURE 6

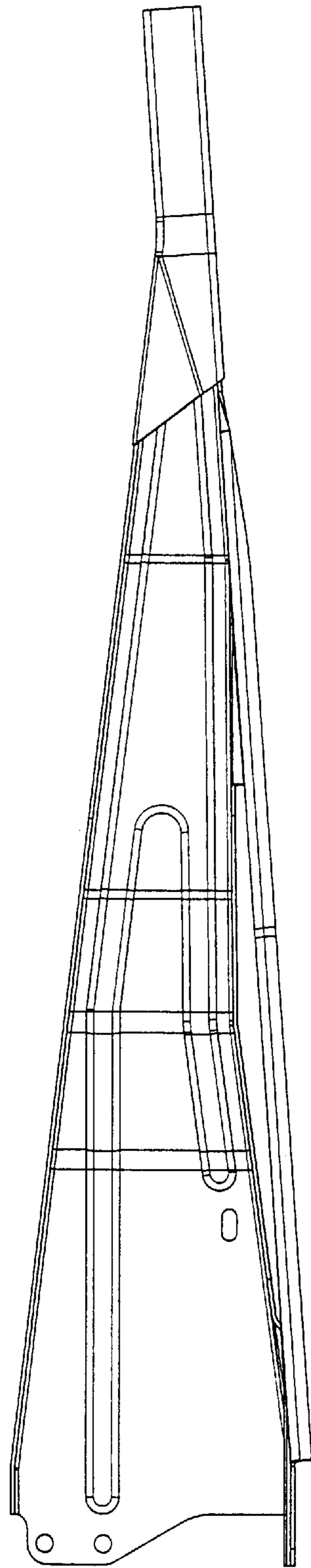


FIGURE 7