



US00D417458S

**United States Patent** [19]  
**Waibel**

[11] **Patent Number: Des. 417,458**

[45] **Date of Patent: \*\* Dec. 7, 1999**

[54] **FIELD AND BRUSH MOWER**

[75] Inventor: **Robert J. Waibel**, Arlington, Vt.

[73] Assignee: **Country Home Products, Inc.**,  
Vergennes, Vt.

[\*\*] Term: **14 Years**

[21] Appl. No.: **29/075,969**

[22] Filed: **Jul. 8, 1997**

[51] **LOC (6) Cl.** ..... **15-03**

[52] **U.S. Cl.** ..... **D15/14**

[58] **Field of Search** ..... D15/10, 14-17;  
56/13.3, 13.4, 15.8, 15.9, 16.1, 16.7, 16.9,  
17.4, 202, 255, 294, 320.1, 320.2

[56] **References Cited**

**U.S. PATENT DOCUMENTS**

4,112,656	9/1978	Ranko et al.	56/320.1
4,466,235	8/1984	Cole	56/16.9
4,909,024	3/1990	Jones et al.	56/16.7
5,457,946	10/1995	Deitrick	56/16.6
5,518,079	5/1996	Zvolanek	180/19.1
5,600,943	2/1997	Ryan	56/13.6

**OTHER PUBLICATIONS**

Implement and Tractor, Feb. 1991. p. 8, Toro walk-behind mower.

Sears 1992 Lawn and Garden Catalog. p. 25, Yard-Man mower.

Brochure: "The DR® Field and Brush Mower", by Country Home Products, Inc. (1997).

Brochure: "Because it's a Jungle out there", by Billy Goat Industries, Inc. Undated.

Brochure: "Roof Heavy-Duty Mowers", by Roof Equipment Manufacturing Co. Undated.

Brochure: "Brush Mower", by Southern Tiller, (1996).

Brochure: "Hi-Wheel Weed & Brush Cutters", by Bachtold Bros. Undated.

*Primary Examiner*—Sandra L. Morris

*Attorney, Agent, or Firm*—Downs Rachlin & Martin PLLC

[57] **CLAIM**

I claim the ornamental design for a field and brush mower, as shown.

**DESCRIPTION**

FIG. 1 is a perspective view of the field and brush mower design of the present invention;

FIG. 2 is a top view of the design shown in FIG. 1;

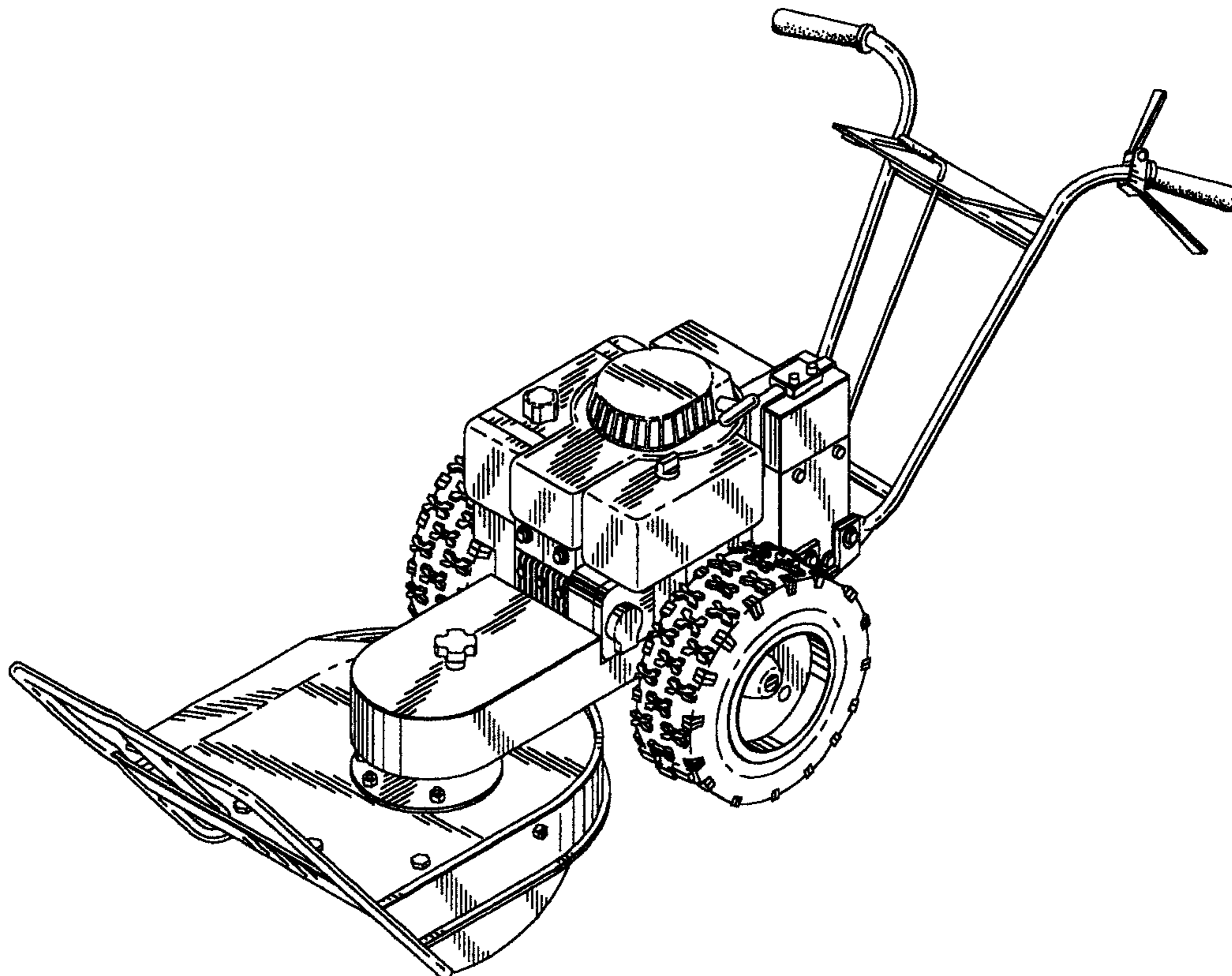
FIG. 3 is a left side elevation view of the design shown in FIG. 1;

FIG. 4 is a right side elevation view of the design shown in FIG. 1;

FIG. 5 is a front elevation view of the design shown in FIG. 1; and,

FIG. 6 is a rear elevation view of the design shown in FIG. 1.

**1 Claim, 4 Drawing Sheets**



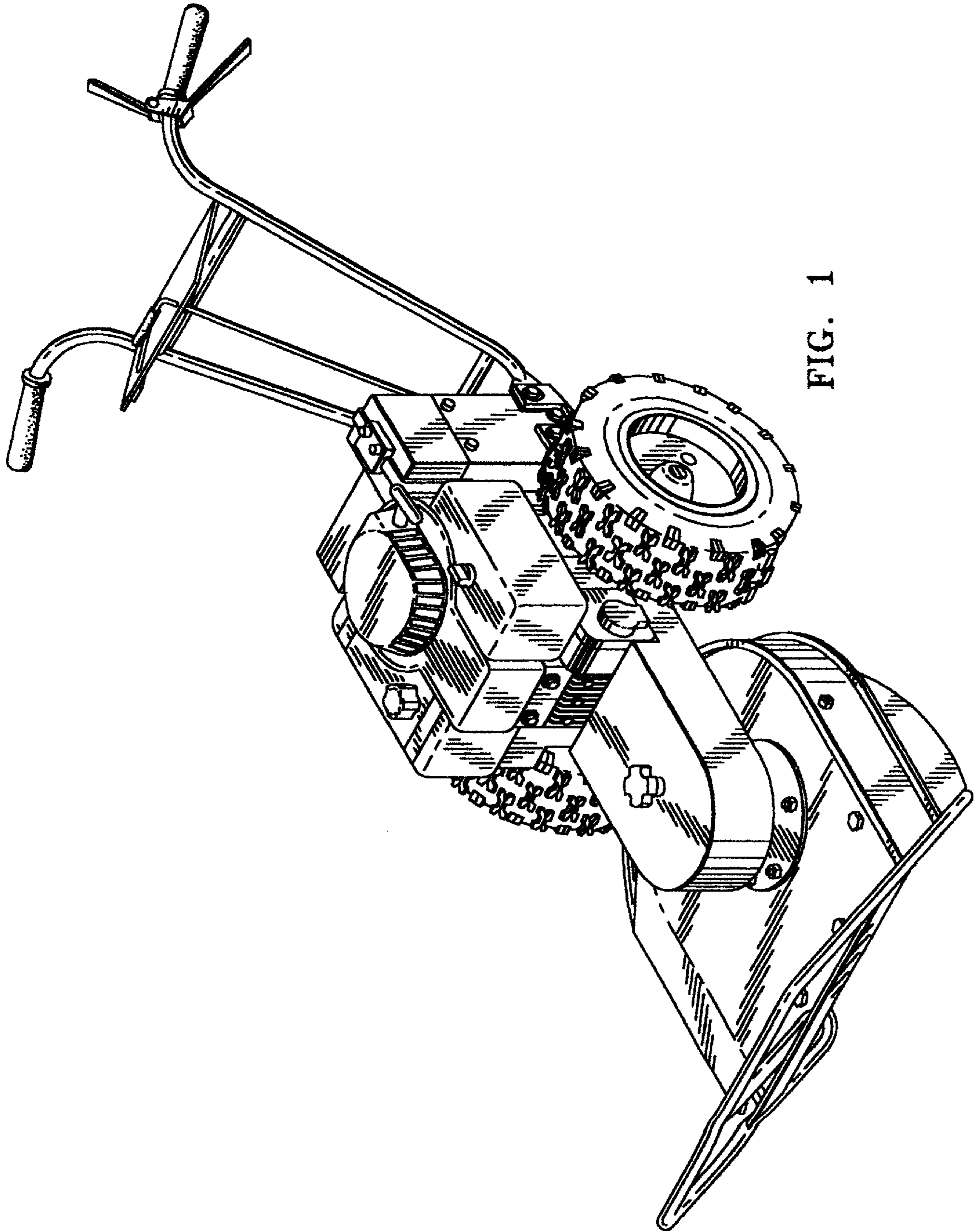


FIG. 1

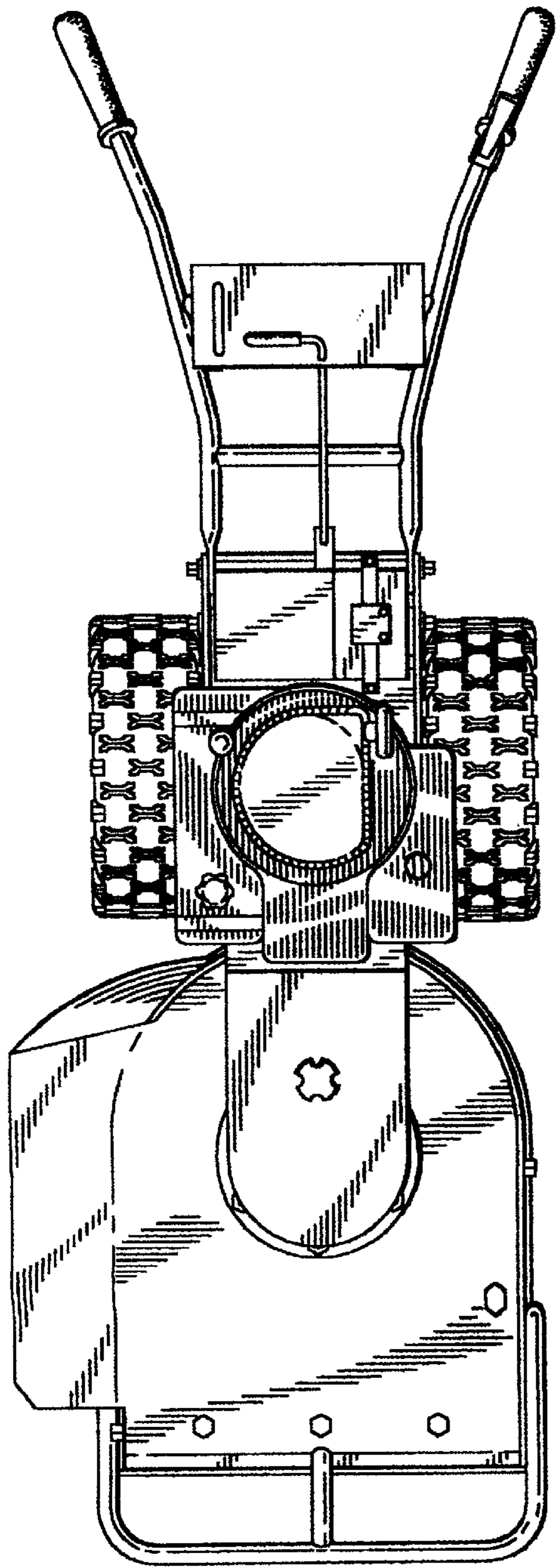


FIG. 2

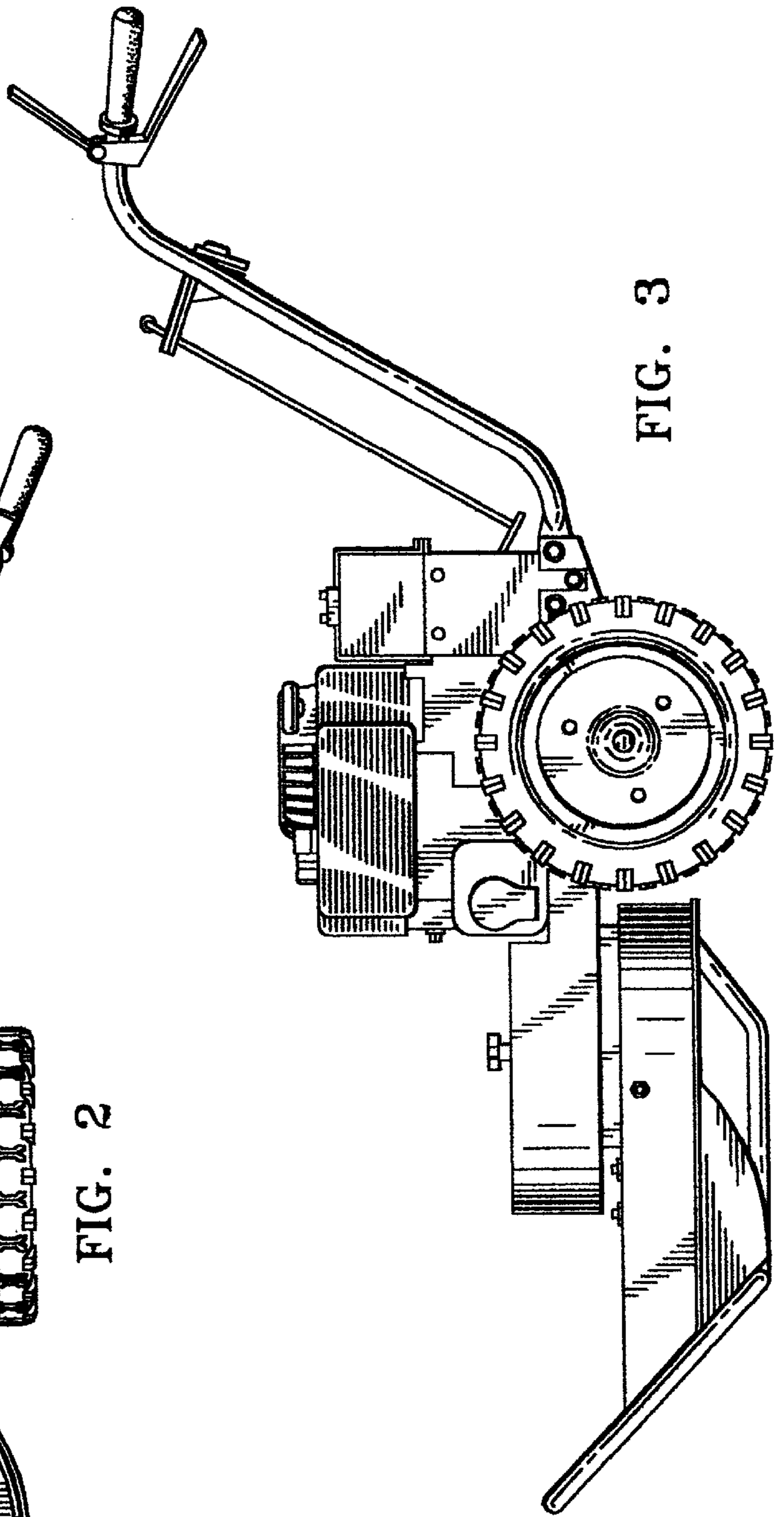


FIG. 3

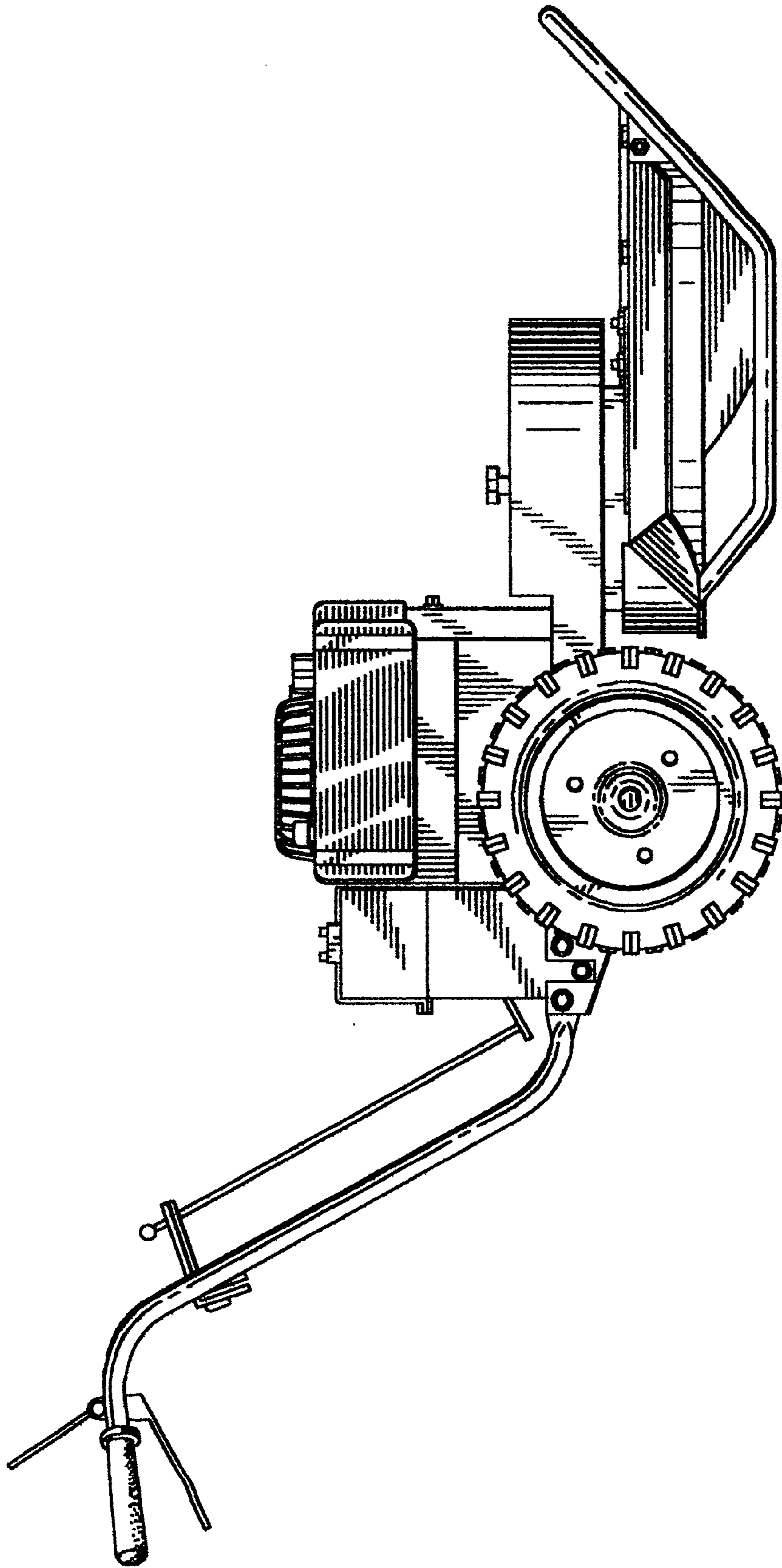


FIG. 4

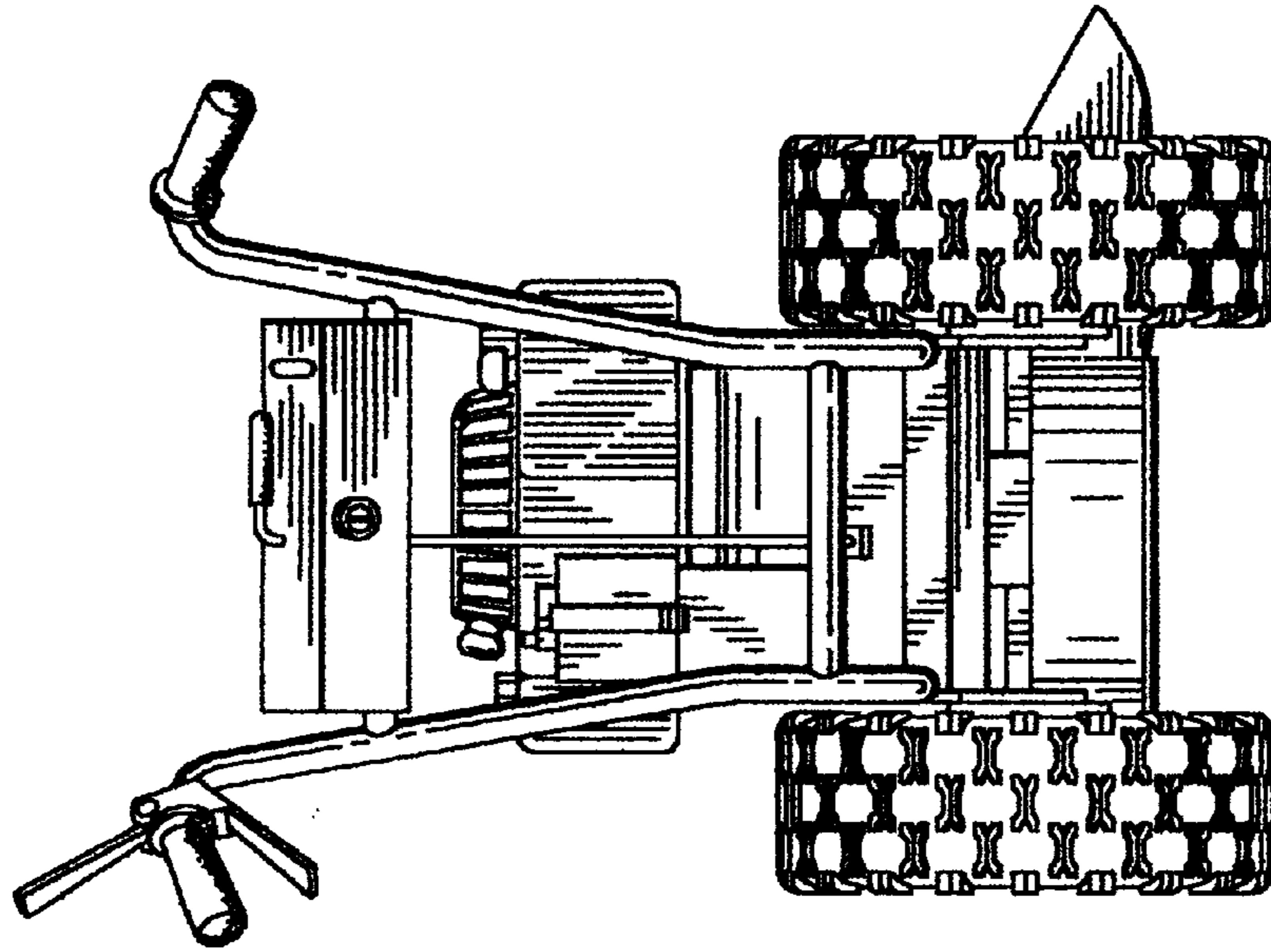


FIG. 6

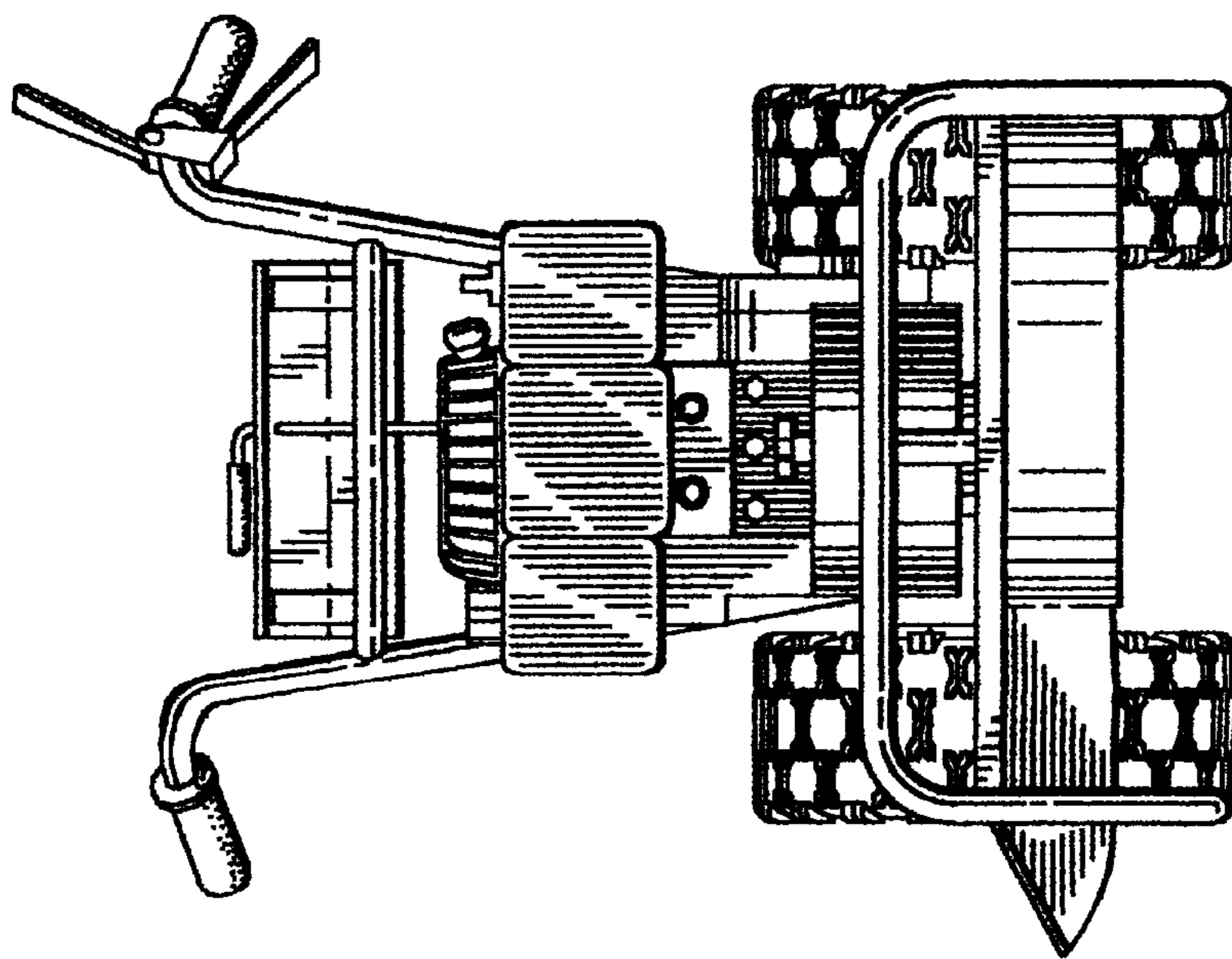


FIG. 5