



US00D417457S

United States Patent [19]

Asahara

[11] Patent Number: **Des. 417,457**

[45] Date of Patent: **** Dec. 7, 1999**

[54] **FLUID PRESSURE CYLINDER**

D. 378,680 4/1997 Ikumi D15/7

[75] Inventor: **Hiroyuki Asahara**, Kashiwa, Japan

Primary Examiner—Ralf Seifert
Attorney, Agent, or Firm—Frishauf, Holtz, Goodman,
Langer & Chick, P.C.

[73] Assignee: **SMC Kabushiki Kaisha**, Tokyo, Japan

[**] Term: **14 Years**

[57] **CLAIM**

[21] Appl. No.: **29/085,638**

The ornamental design for a fluid pressure cylinder, as shown and described.

[22] Filed: **Mar. 27, 1998**

DESCRIPTION

[51] **LOC (6) Cl.** **15-02**

[52] **U.S. Cl.** **D15/7**

[58] **Field of Search** D15/7-9.1; 92/161,
92/146, 169.1, 159; 91/275

FIG. 1 is a top, front and right side perspective view of a fluid pressure cylinder, showing our new design;
FIG. 2 is a front view thereof;
FIG. 3 is a right side view thereof, the left side view being a mirror image of the right side view;
FIG. 4 is a top plan view thereof;
FIG. 5 is a bottom plan view thereof; and,
FIG. 6 is a rear view thereof.

[56] **References Cited**

U.S. PATENT DOCUMENTS

- D. 295,753 5/1988 LaBair D15/7
- D. 303,393 9/1989 Stoll D15/7
- D. 370,683 6/1996 Stahlman et al. D15/7

1 Claim, 2 Drawing Sheets

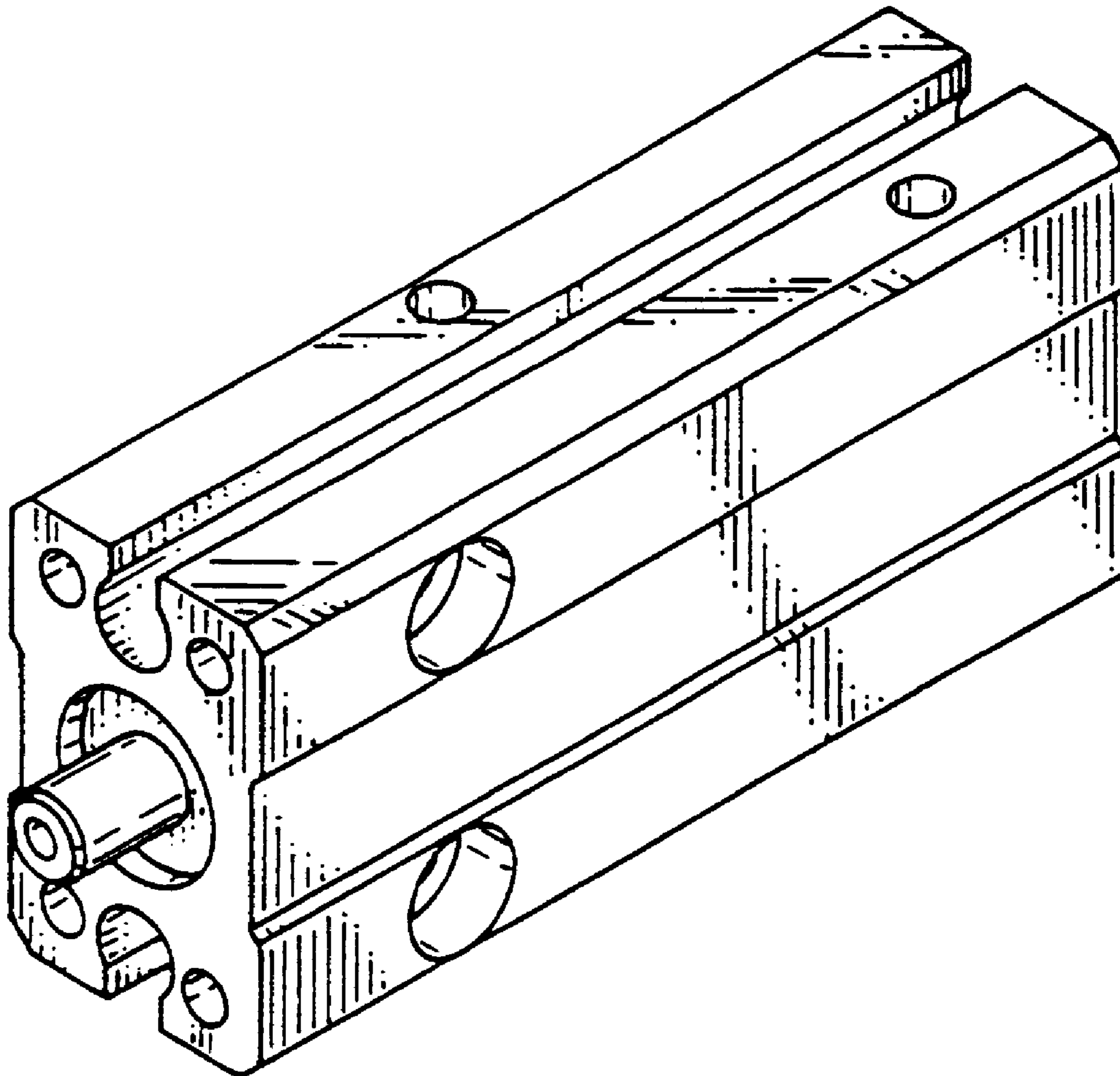


FIG. 1

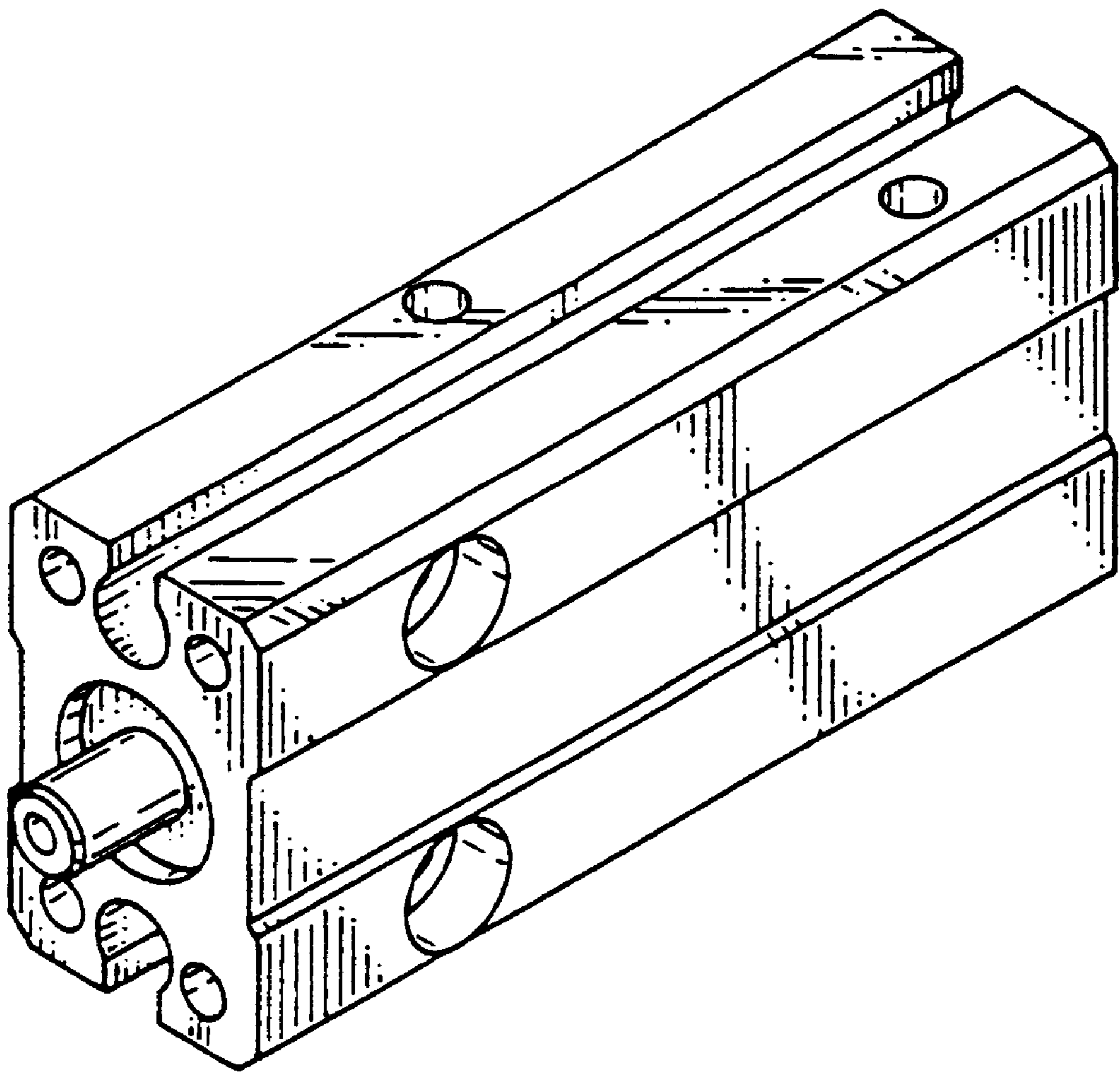


FIG. 2

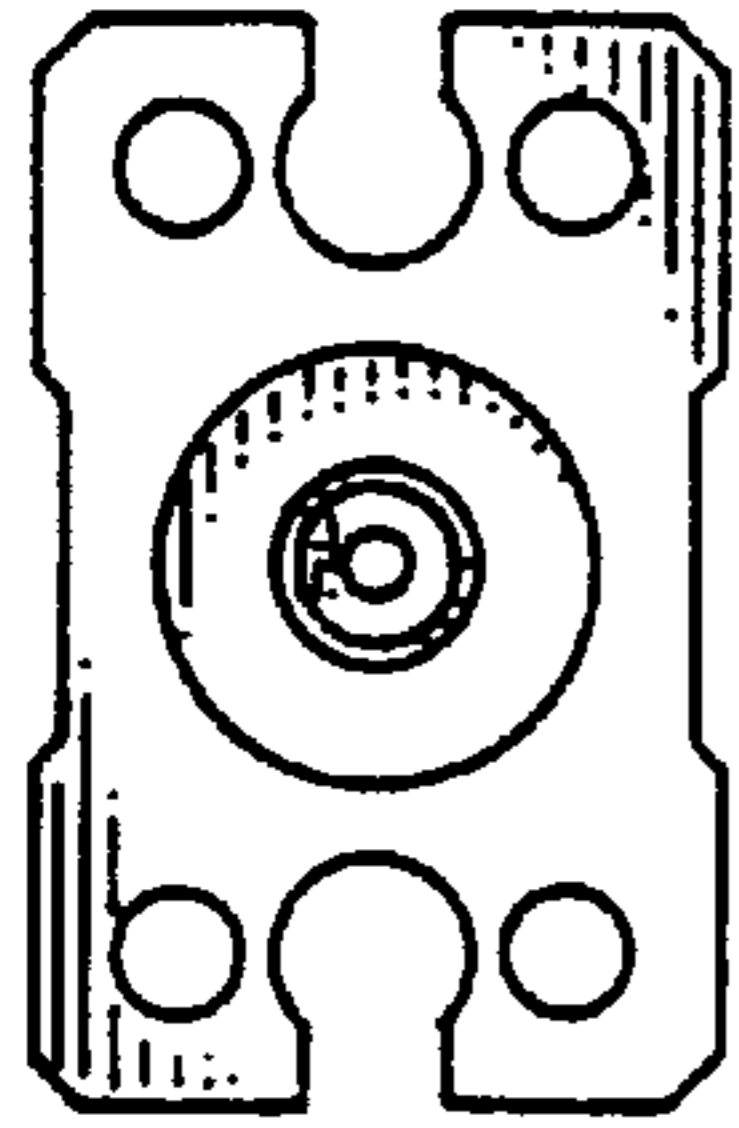


FIG. 3

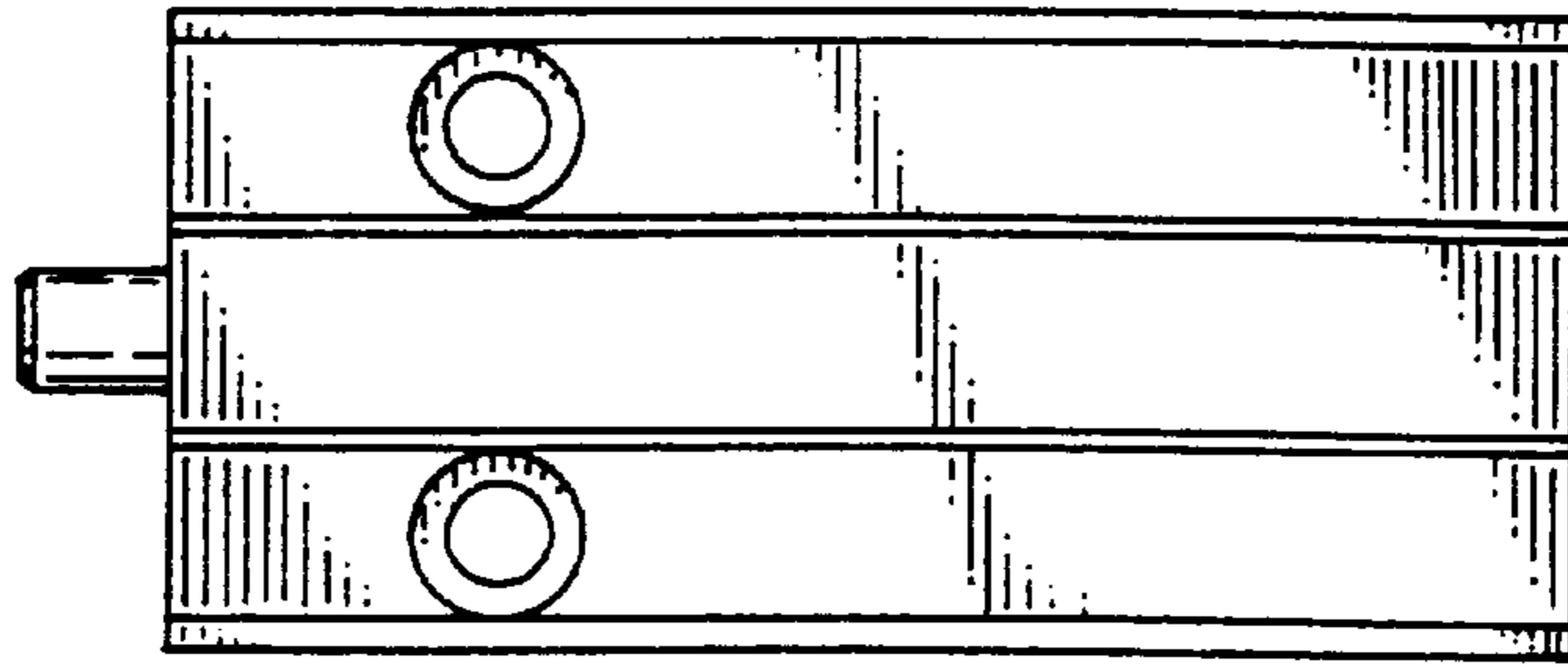


FIG. 4

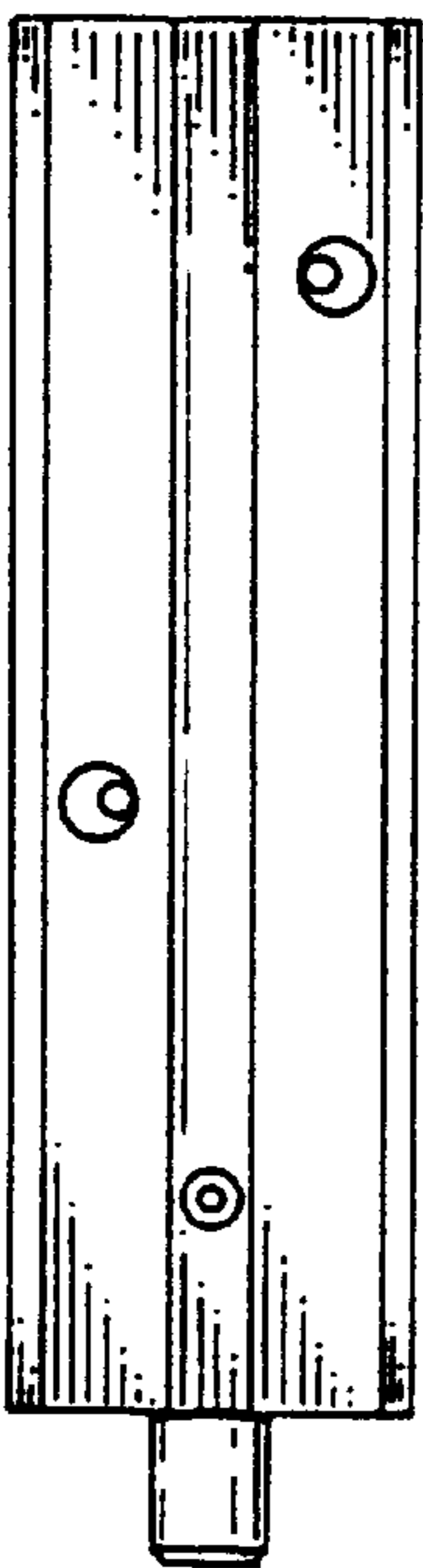


FIG. 5

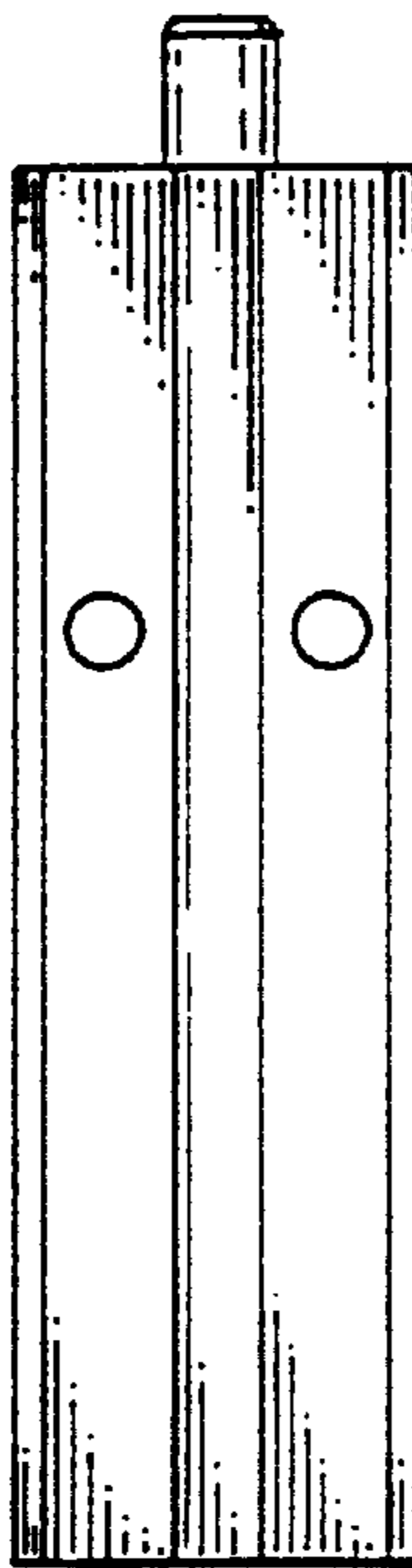


FIG. 6

