



US00D417455S

# United States Patent [19]

[11] Patent Number: Des. 417,455

Sato et al.

[45] Date of Patent: \*\* Dec. 7, 1999

[54] **WIRELESS TELEPHONE**

[75] Inventors: **Toshiaki Sato; Hiroshi Date**, both of Tokyo, Japan

[73] Assignee: **Sony Corporation**, Tokyo, Japan

[\*\*] Term: **14 Years**

[21] Appl. No.: **29/090,136**

[22] Filed: **Jun. 30, 1998**

[51] **LOC (6) Cl.** ..... **14-03**

[52] **U.S. Cl.** ..... **D14/248; D14/249**

[58] **Field of Search** ..... D14/137, 138, D14/147-148, 247-248, 250, 240, 140-142; 379/433, 434, 419, 420, 428, 440; 455/550-575, 90

[56] **References Cited**

**U.S. PATENT DOCUMENTS**

D. 330,024	10/1992	Peersmann	.....	D14/147
D. 376,143	12/1996	Biskup et al.	.....	D14/138
D. 395,300	6/1998	Yamazaki et al.	.....	D14/138
D. 398,305	9/1998	Kasbekar	.....	D14/138
5,109,539	4/1992	Inubushi et al.	.....	455/575
5,151,946	9/1992	Martensson	.....	455/550
5,335,273	8/1994	Takagi et al.	.....	379/433
5,630,211	5/1997	Nagi	.....	455/575

**FOREIGN PATENT DOCUMENTS**

3-234126	10/1991	Japan	.	
6-152459	5/1994	Japan	.....	455/90
6-164440	6/1994	Japan	.....	455/90
1009668	5/1998	Japan	.....	14/3
1009669	5/1998	Japan	.....	14/3
1009912	5/1998	Japan	.....	14/3
63-288549	11/1998	Japan	.....	379/433

*Primary Examiner*—Jeffrey Asch  
*Attorney, Agent, or Firm*—Foley & Lardner

[57] **CLAIM**

The ornamental design for a wireless telephone, as shown and described.

**DESCRIPTION**

FIG. 1 is a perspective view of a first embodiment of a wireless telephone showing my new design;

FIG. 2 is a top plan view thereof;  
 FIG. 3 is a left side elevational view thereof;  
 FIG. 4 is a front elevational view thereof;  
 FIG. 5 is a bottom plan view thereof;  
 FIG. 6 is a right side elevational view thereof;  
 FIG. 7 is a rear elevational view thereof;  
 FIG. 8 is a perspective view of a wireless telephone showing our new design in the closed position;  
 FIG. 9 is a perspective view of a second embodiment of a wireless telephone showing our new design;  
 FIG. 10 is a top plan view thereof;  
 FIG. 11 is a left side elevational view thereof;  
 FIG. 12 is a front elevational view thereof;  
 FIG. 13 is a bottom plan view thereof;  
 FIG. 14 is a right side elevational view thereof;  
 FIG. 15 is a rear elevational view thereof;  
 FIG. 16 is a perspective view of a wireless telephone showing our new design in the closed position;  
 FIG. 17 is a perspective view of a third embodiment of a wireless telephone showing our new design;  
 FIG. 18 is a top plan view thereof;  
 FIG. 19 is a left side elevational view thereof;  
 FIG. 20 is a front elevational view thereof;  
 FIG. 21 is a bottom plan view thereof;  
 FIG. 22 is a right side elevational view thereof;  
 FIG. 23 is a rear elevational view thereof;  
 FIG. 24 is a perspective view of a wireless telephone showing our new design in the closed position;  
 FIG. 25 is a perspective view of a fourth embodiment of a wireless telephone showing our new design;  
 FIG. 26 is a top plan view thereof;  
 FIG. 27 is a left side elevational view thereof;  
 FIG. 28 is a front elevational view thereof;  
 FIG. 29 is a bottom plan view thereof;  
 FIG. 30 is a right side elevational view thereof;  
 FIG. 31 is a rear elevational view thereof; and,  
 FIG. 32 is a perspective view of a wireless telephone showing our new design in the closed position.  
 Phone body portions in broken lines are for illustrative purposes only and form no part of claimed design.

**1 Claim, 16 Drawing Sheets**

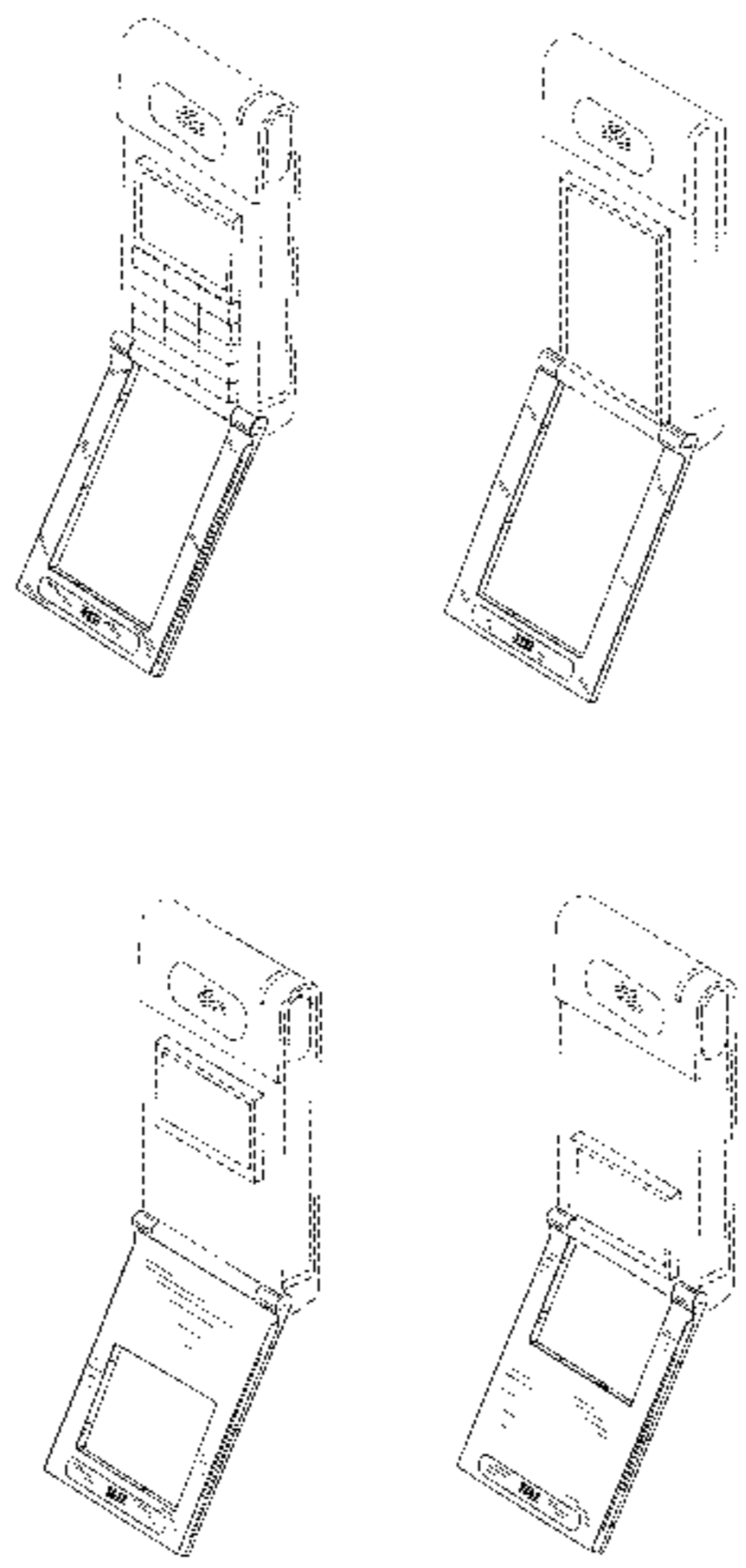


FIG. 8

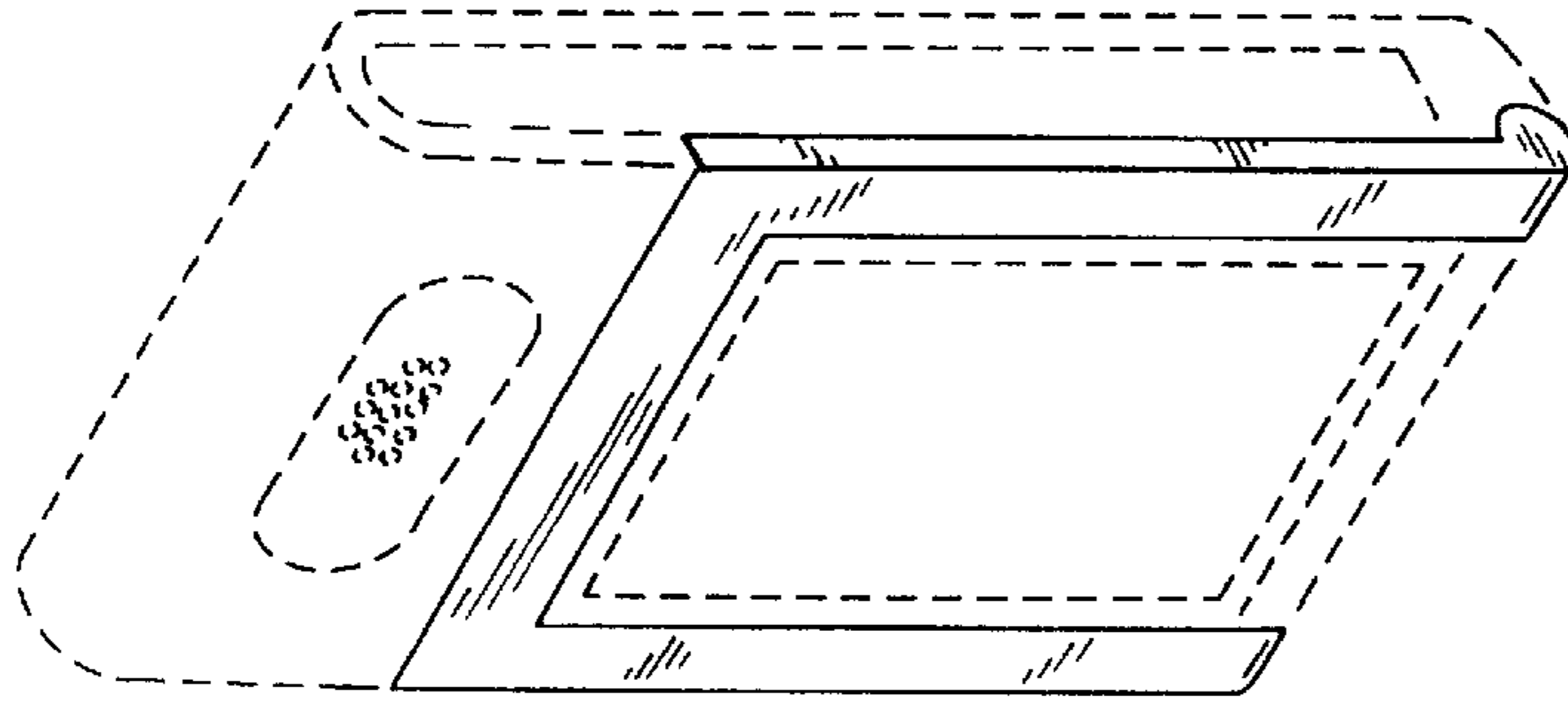


FIG. 1

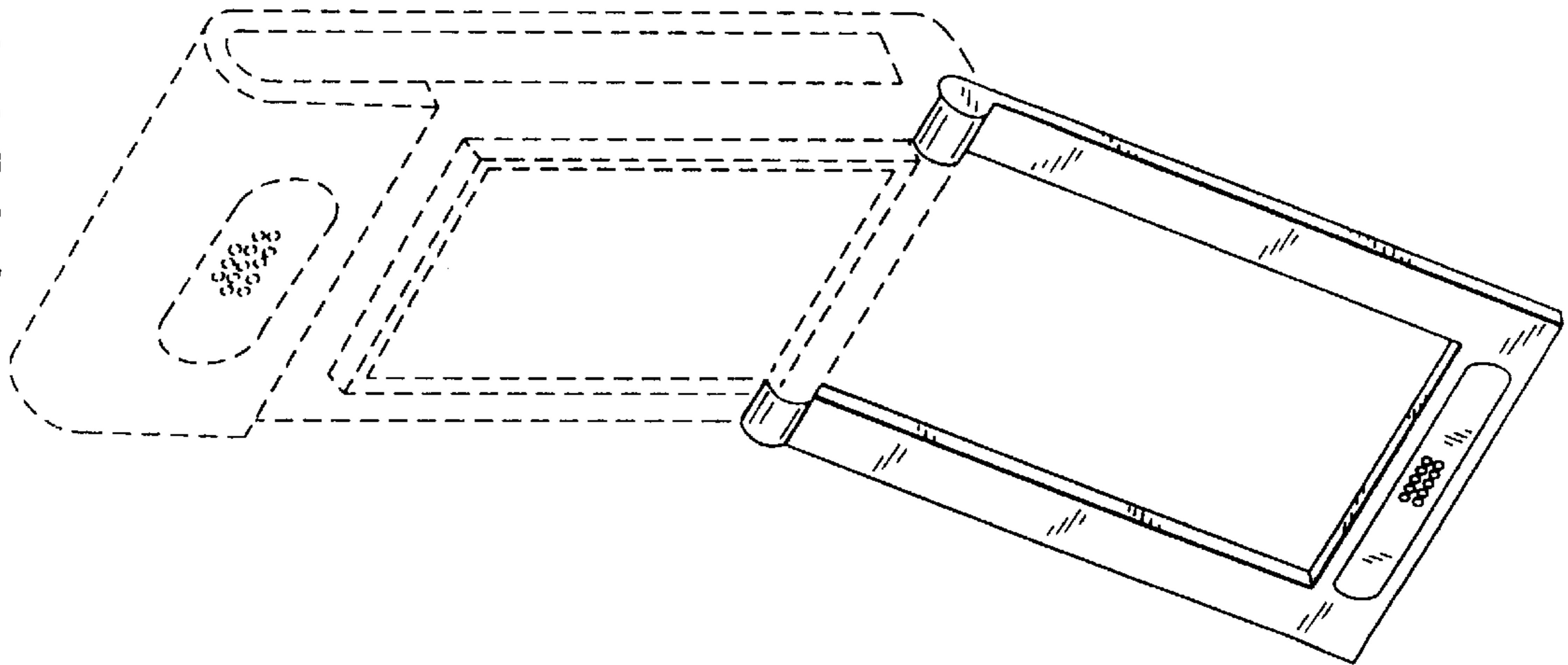


FIG. 2

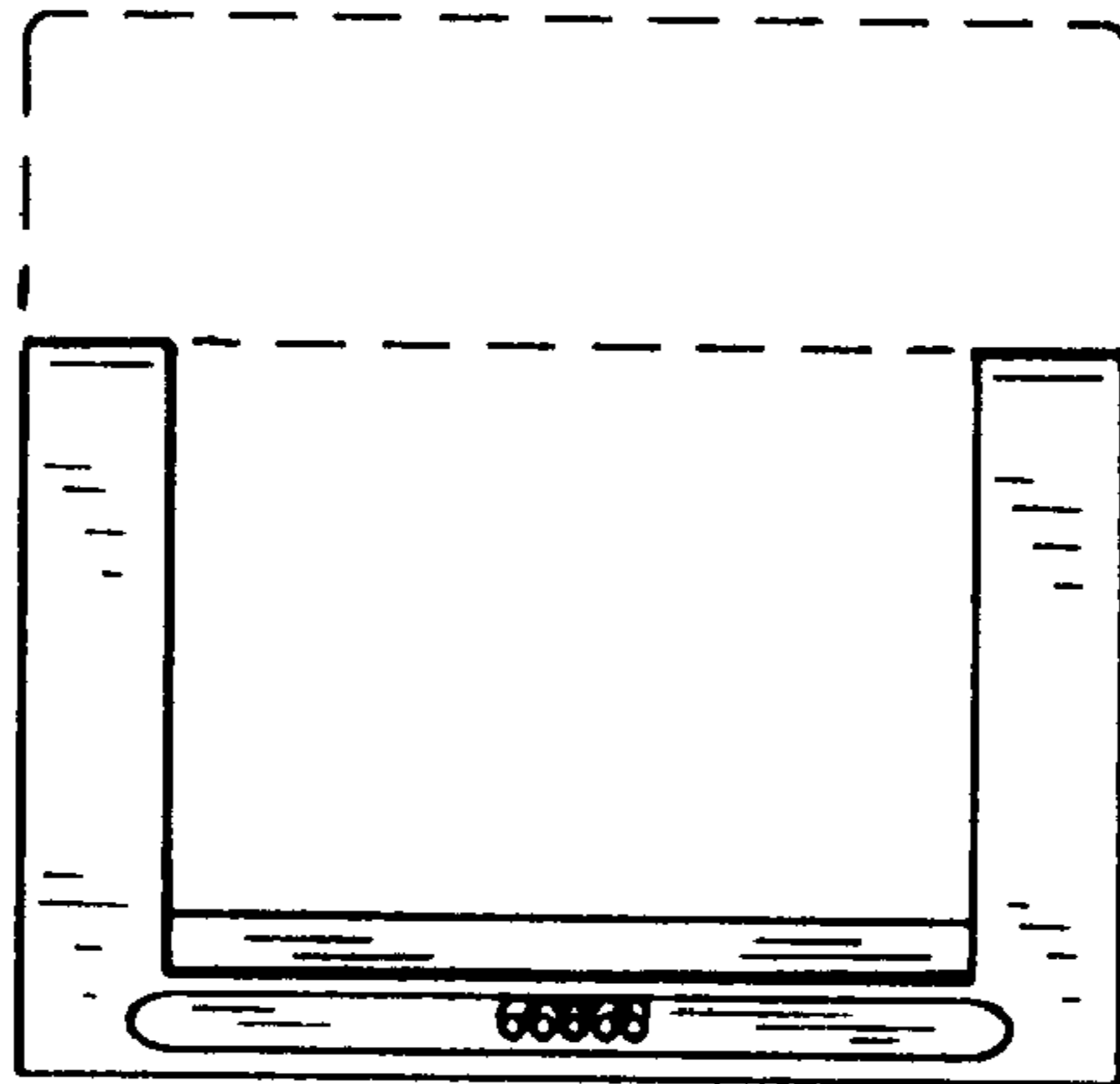


FIG. 5

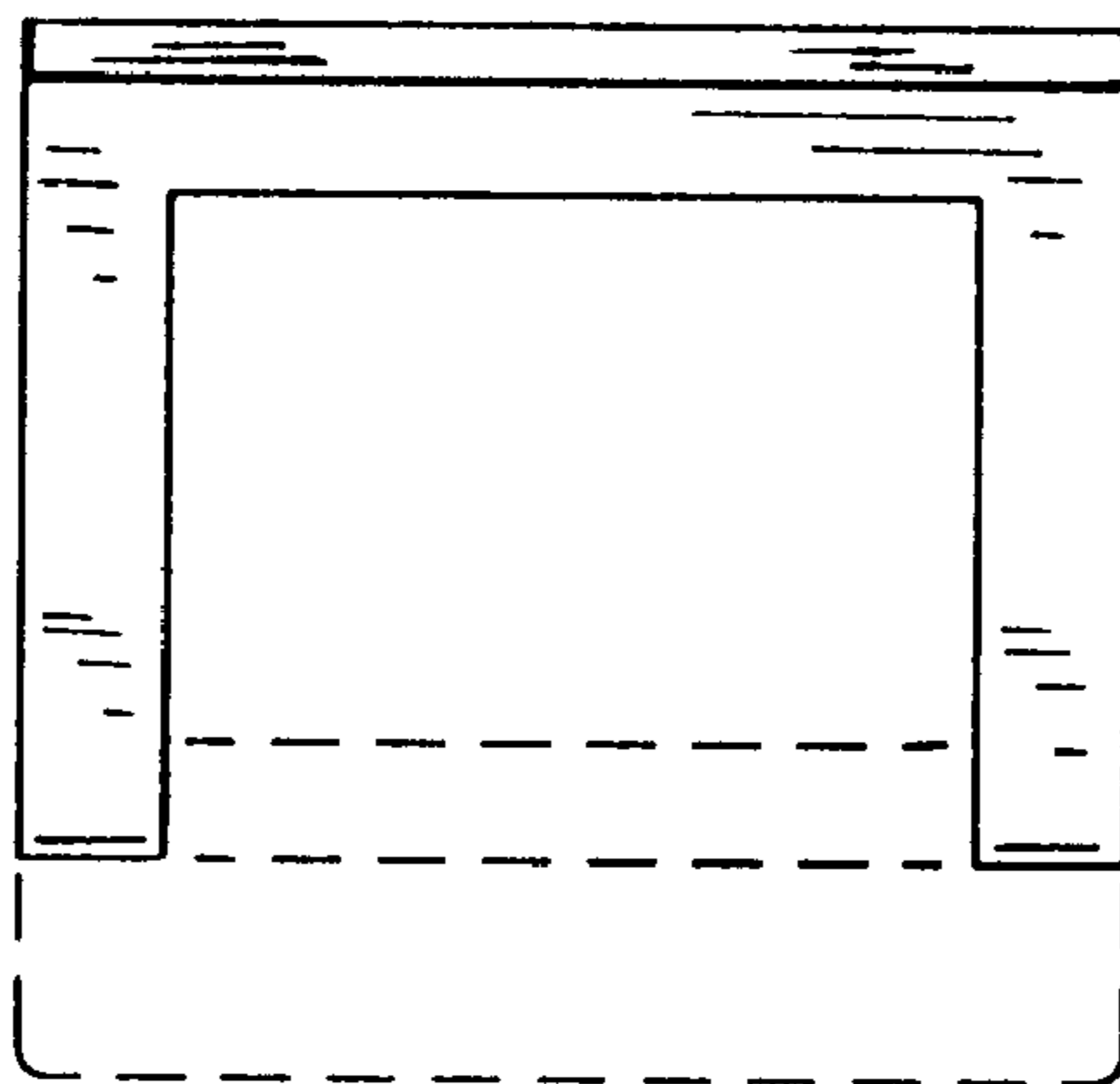


FIG. 6

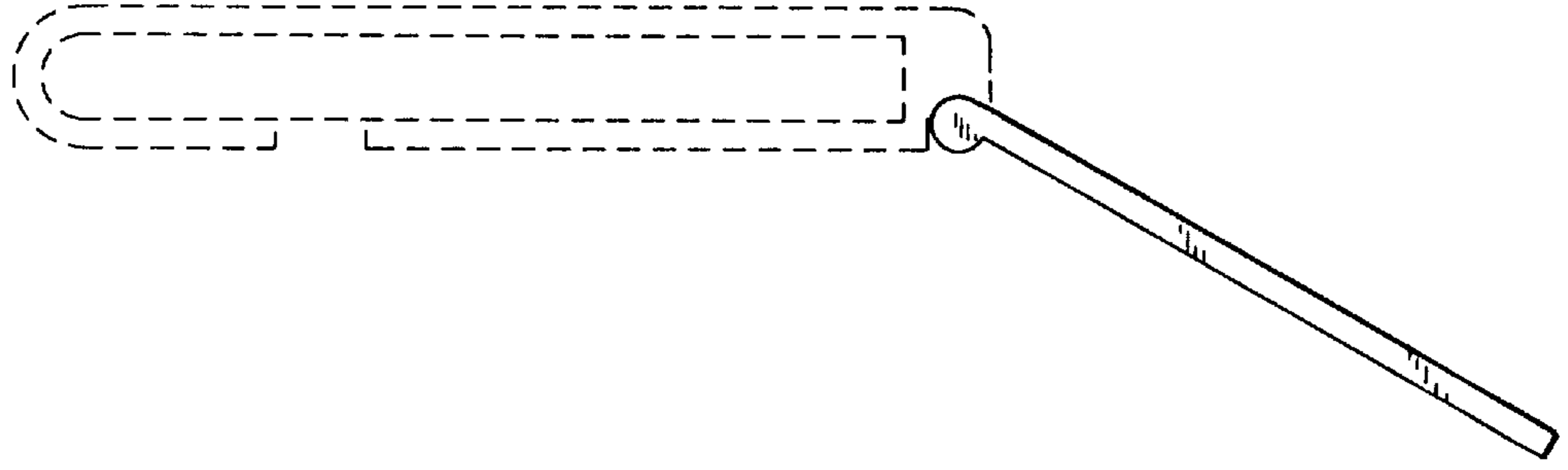


FIG. 3

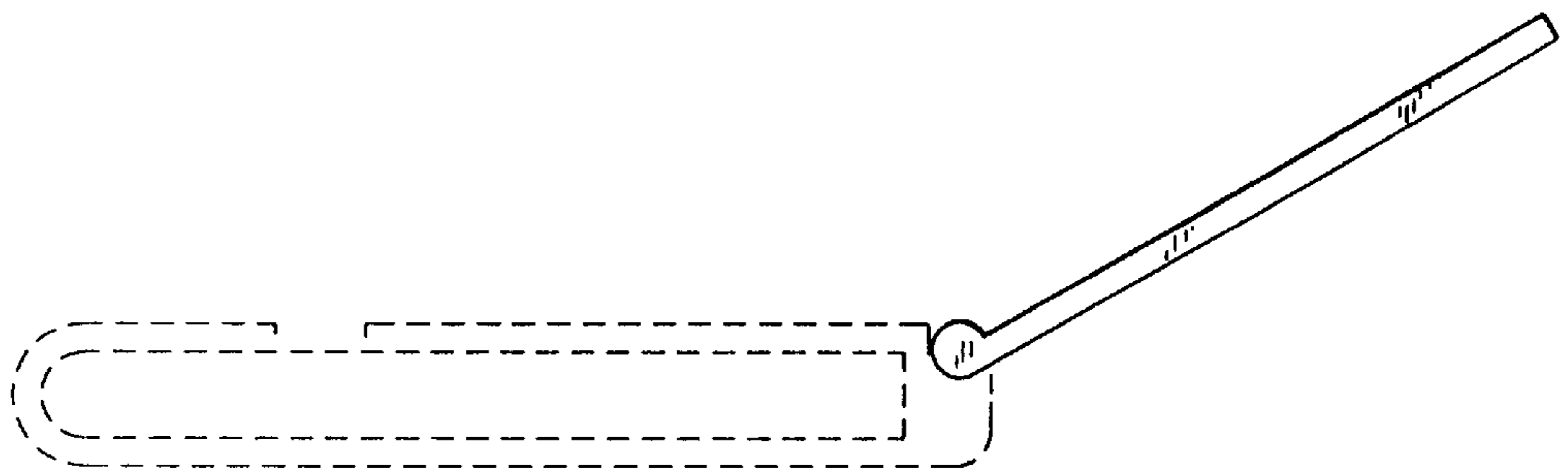


FIG. 7

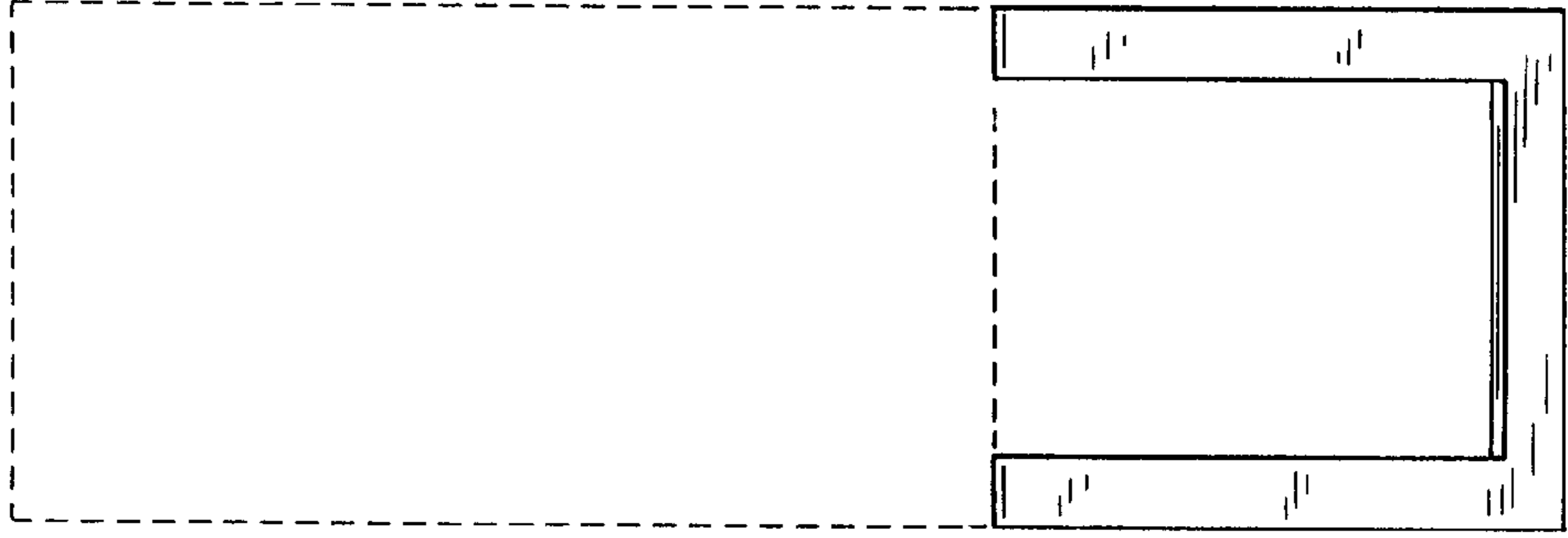


FIG. 4

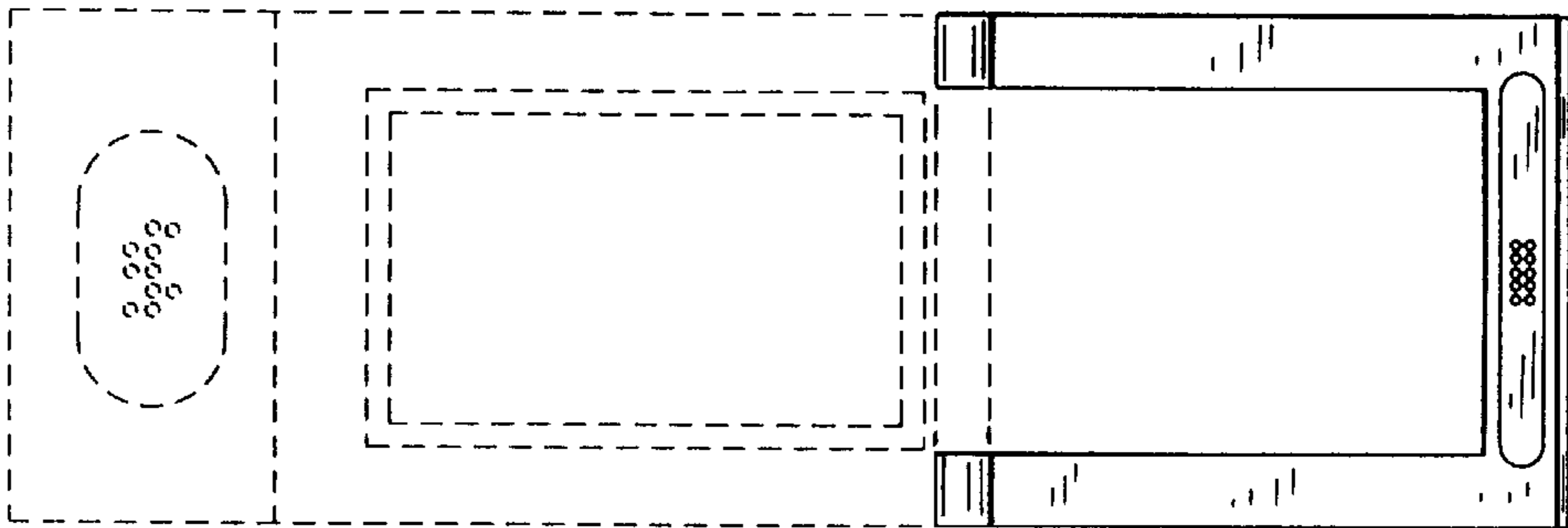


FIG. 16

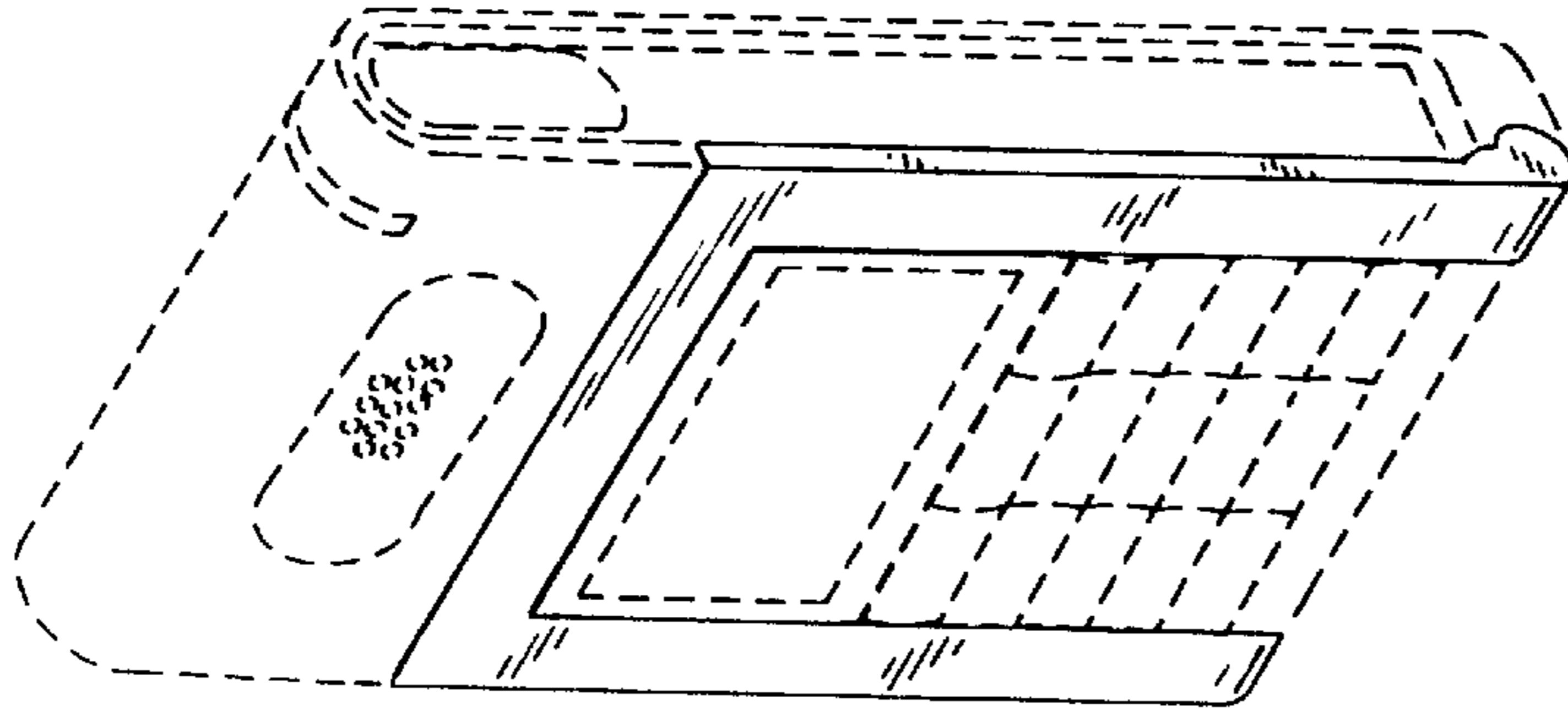


FIG. 9

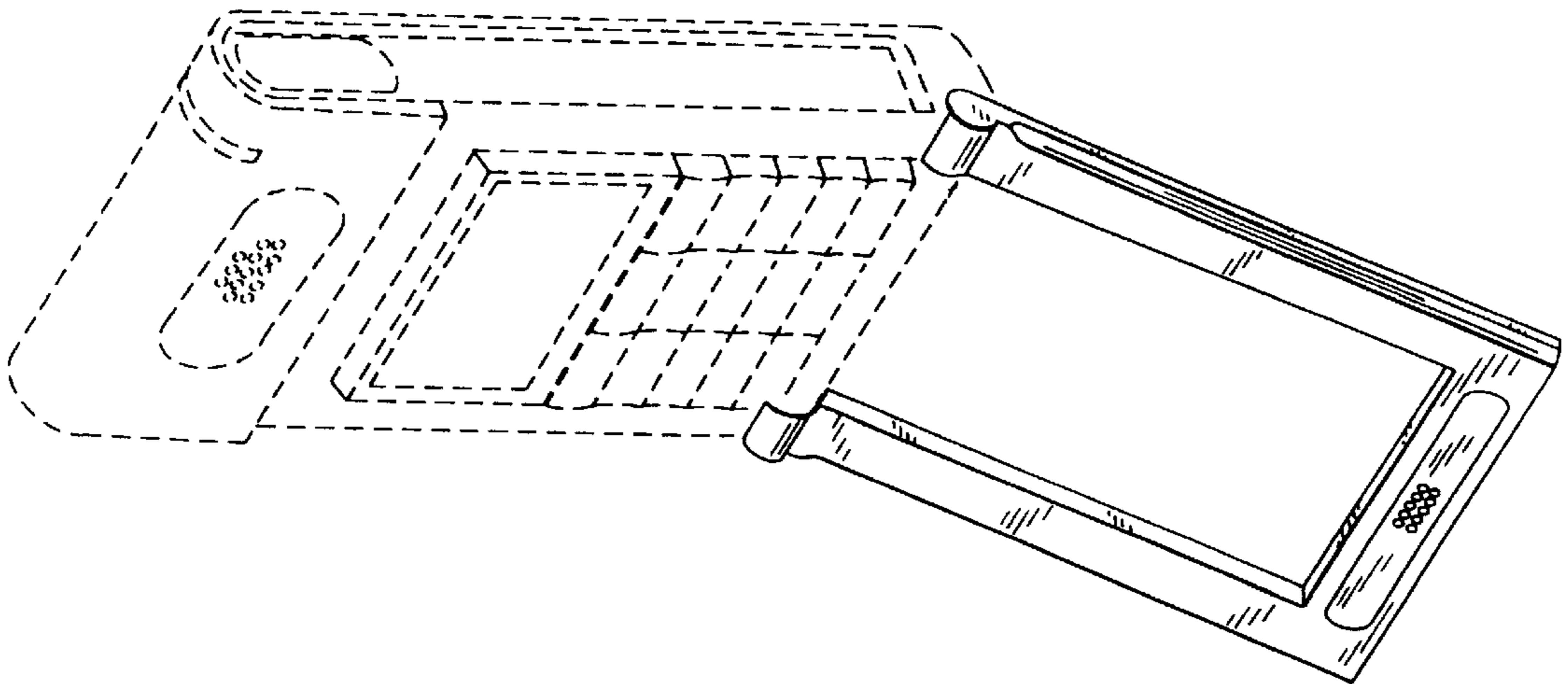


FIG. 10

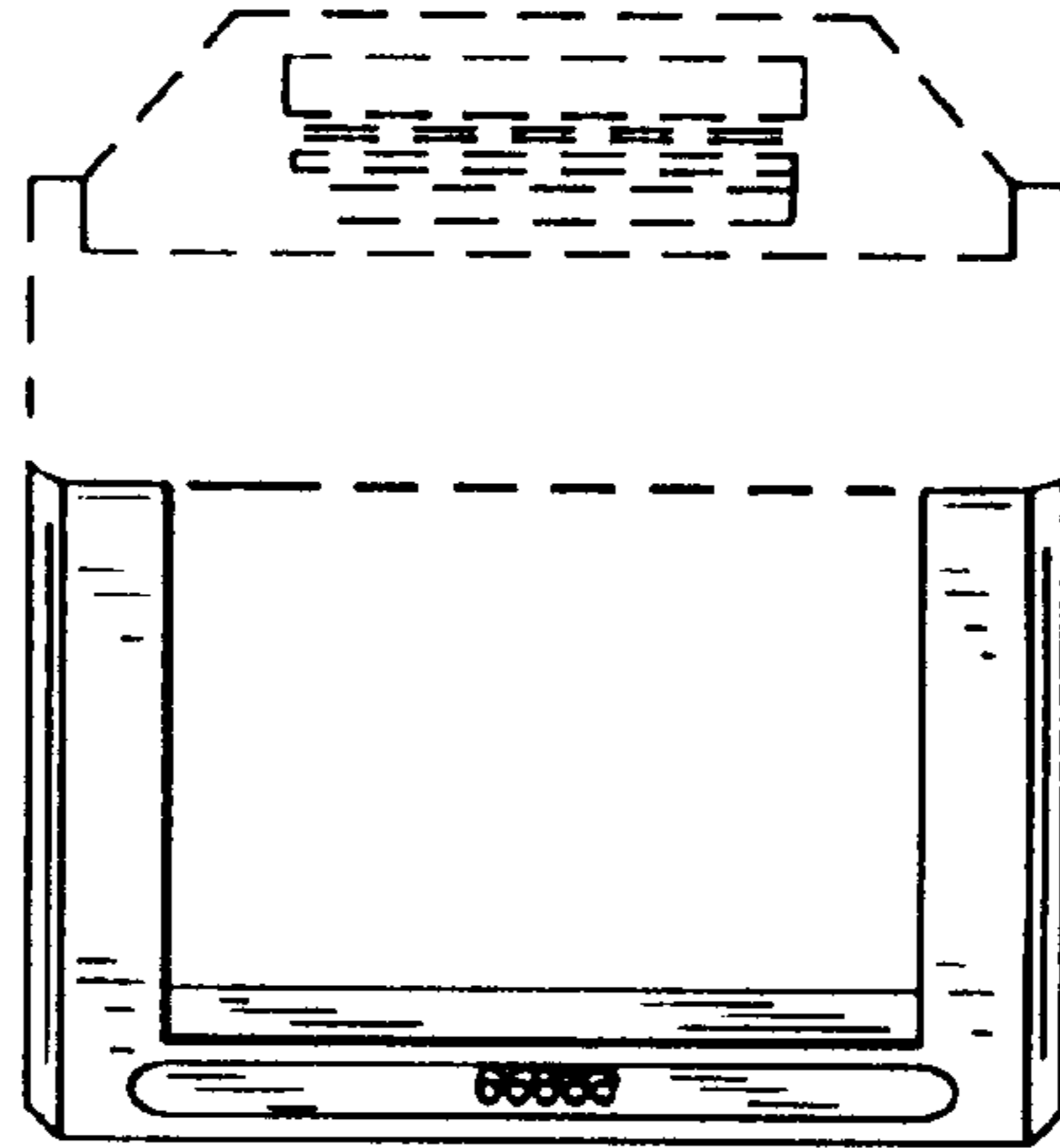


FIG. 13

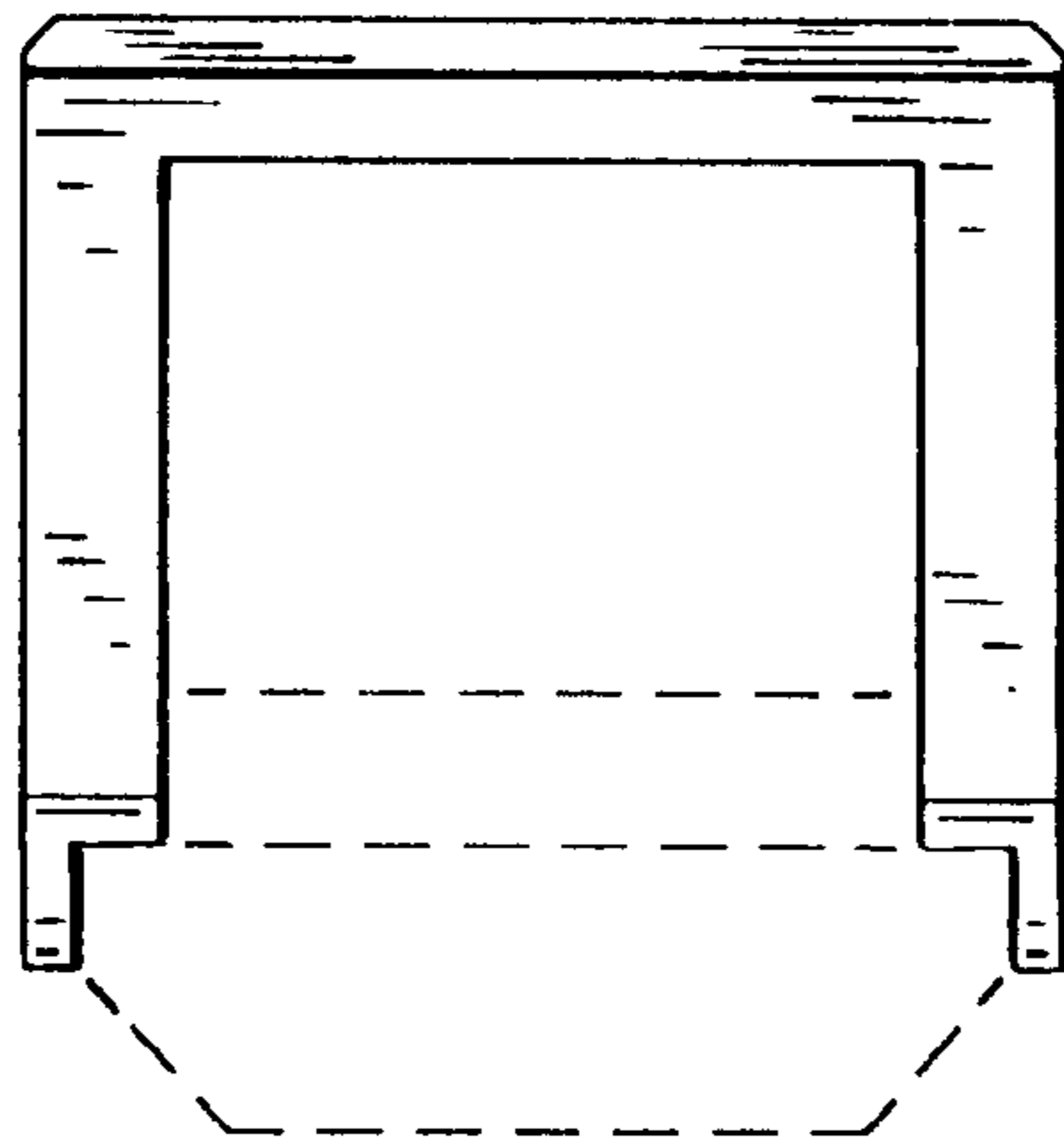


FIG. 14

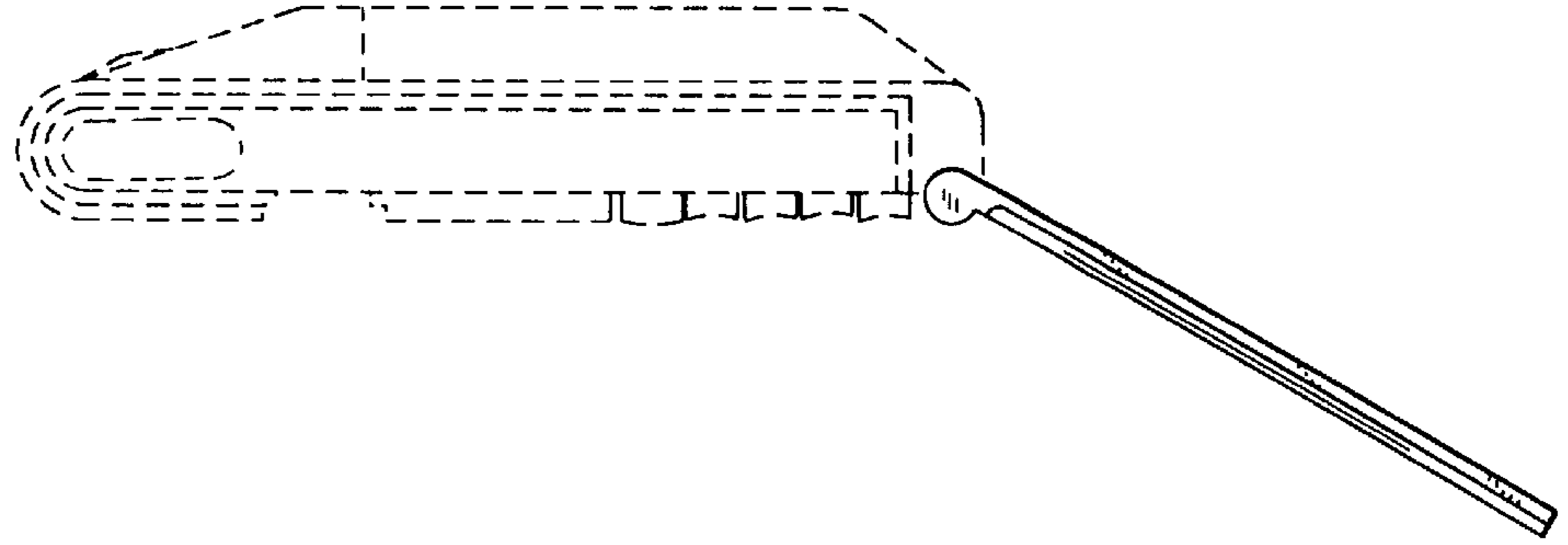


FIG. 11

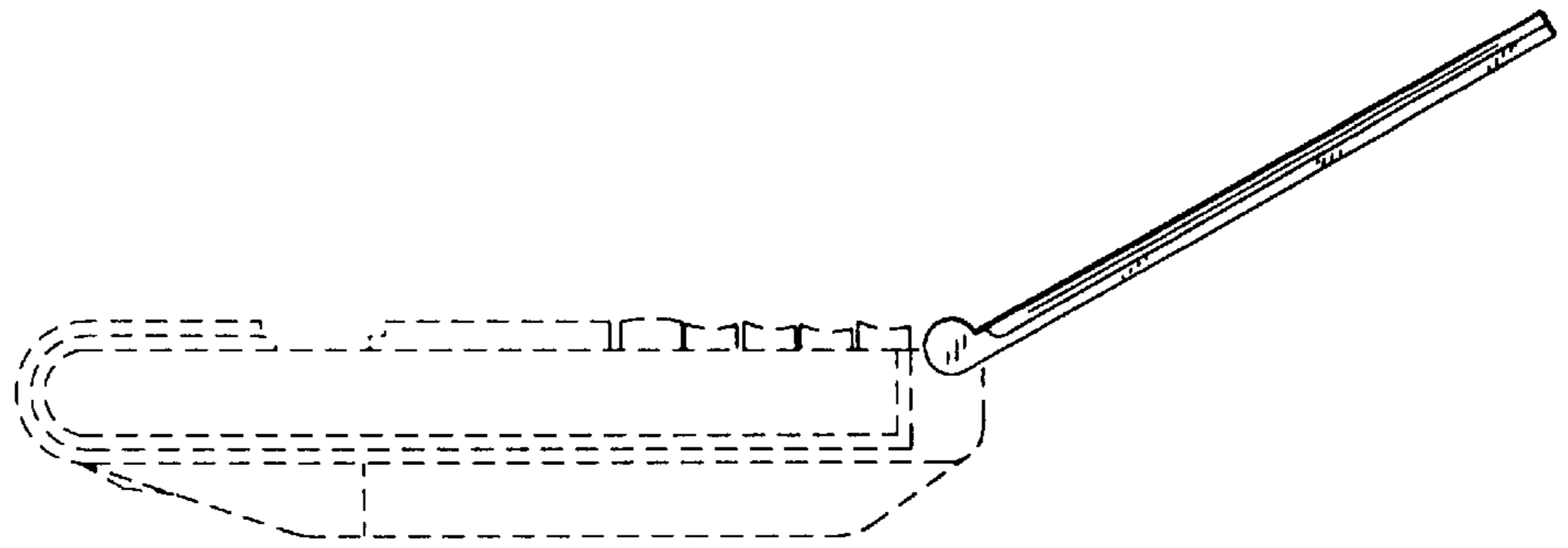




FIG. 15

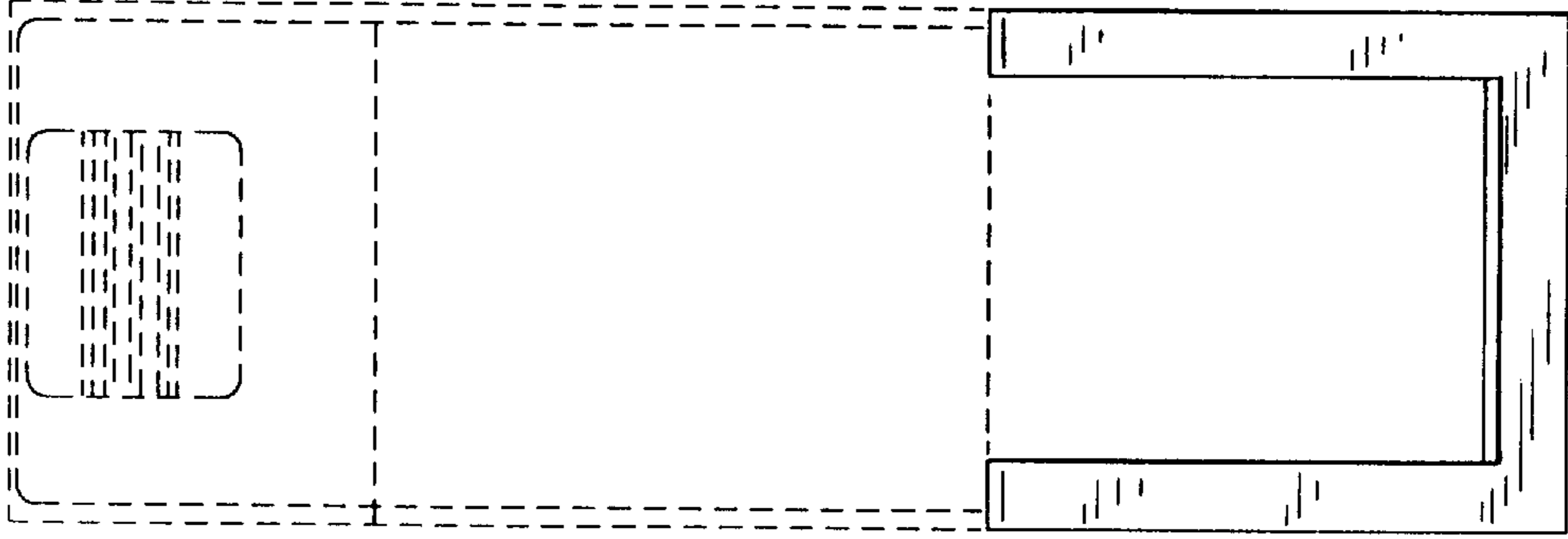


FIG. 12

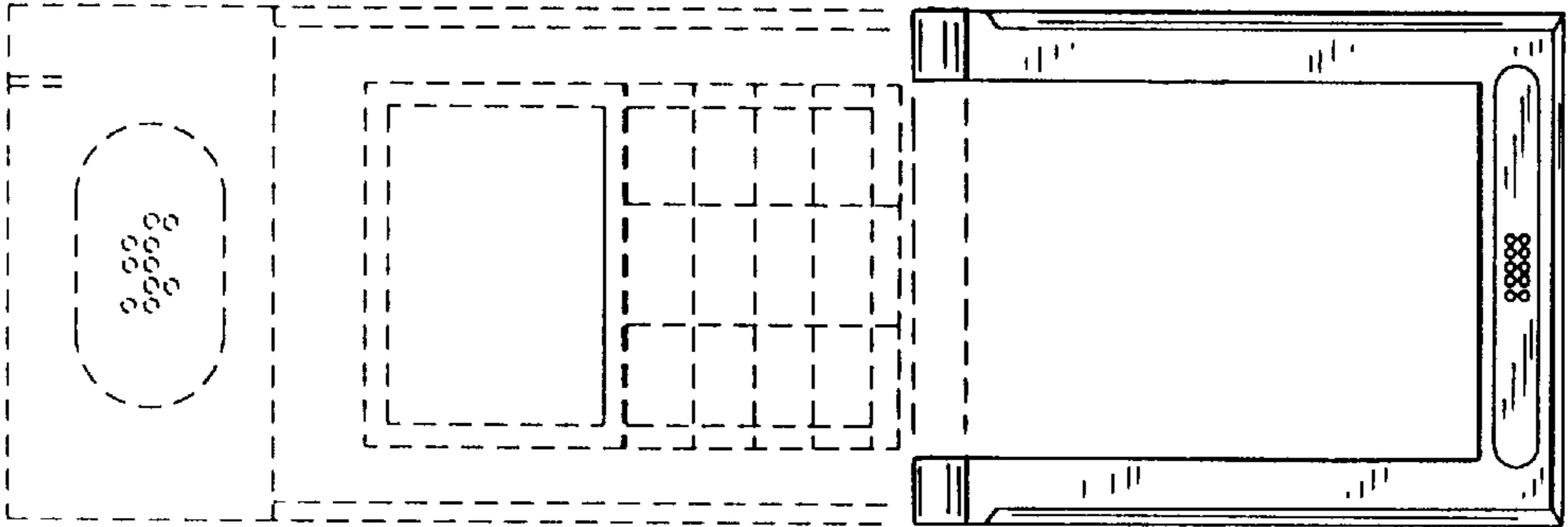


FIG. 24

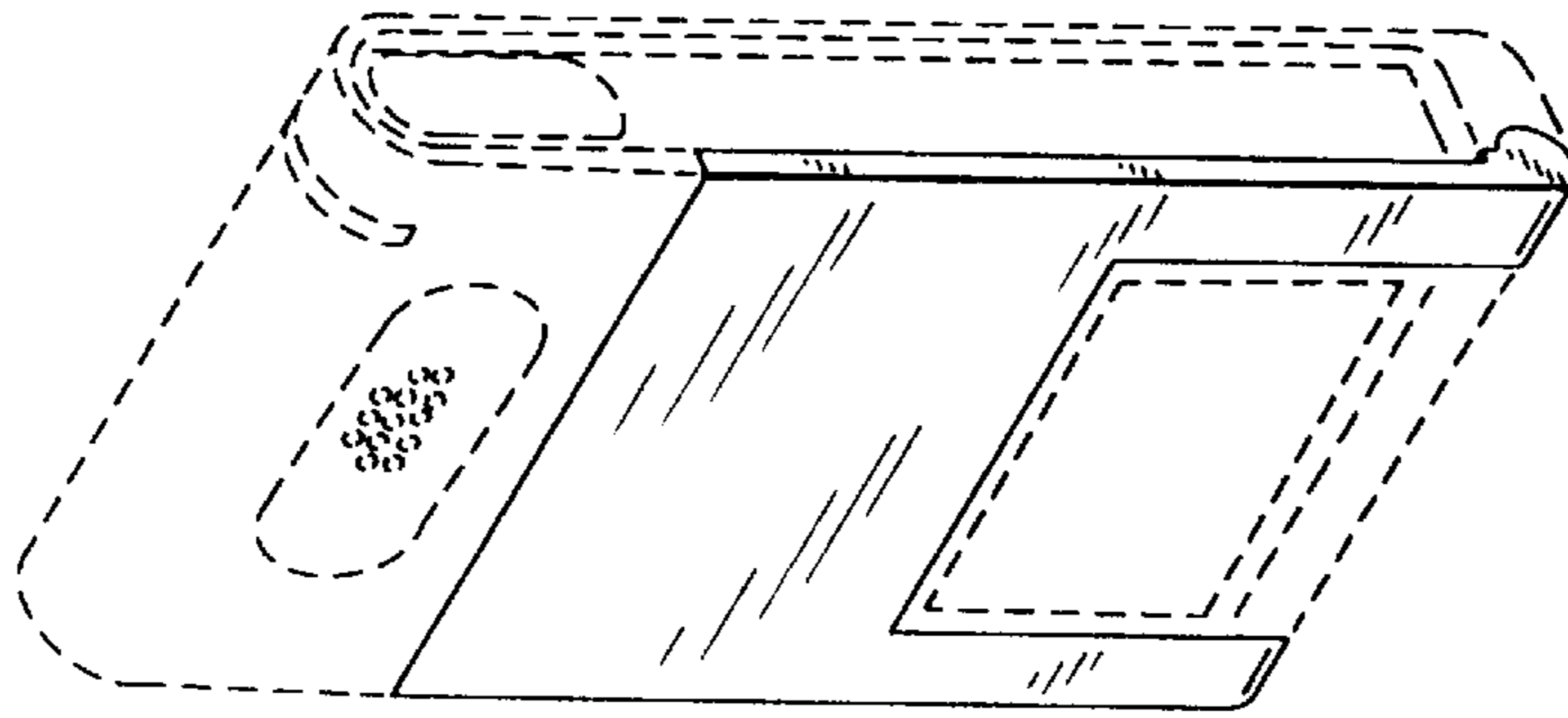


FIG. 17

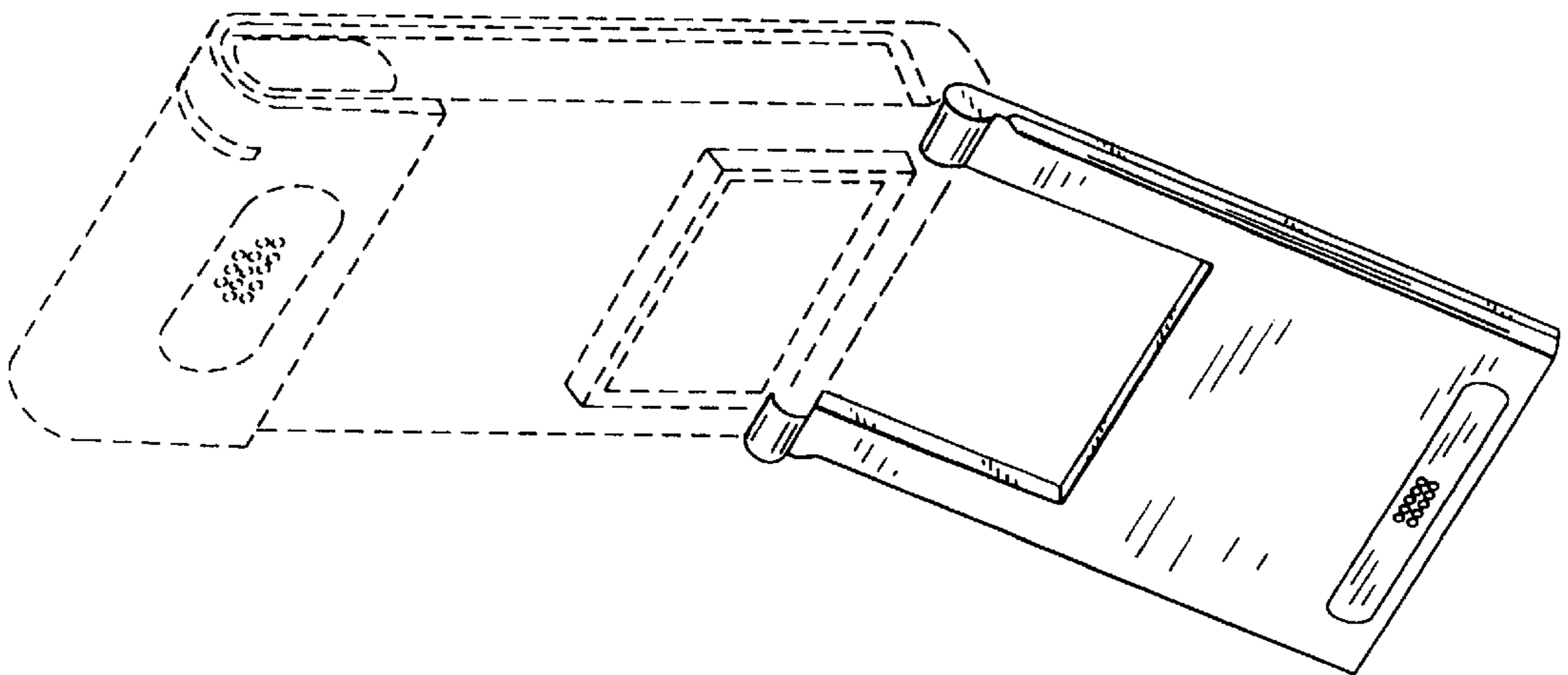


FIG. 18

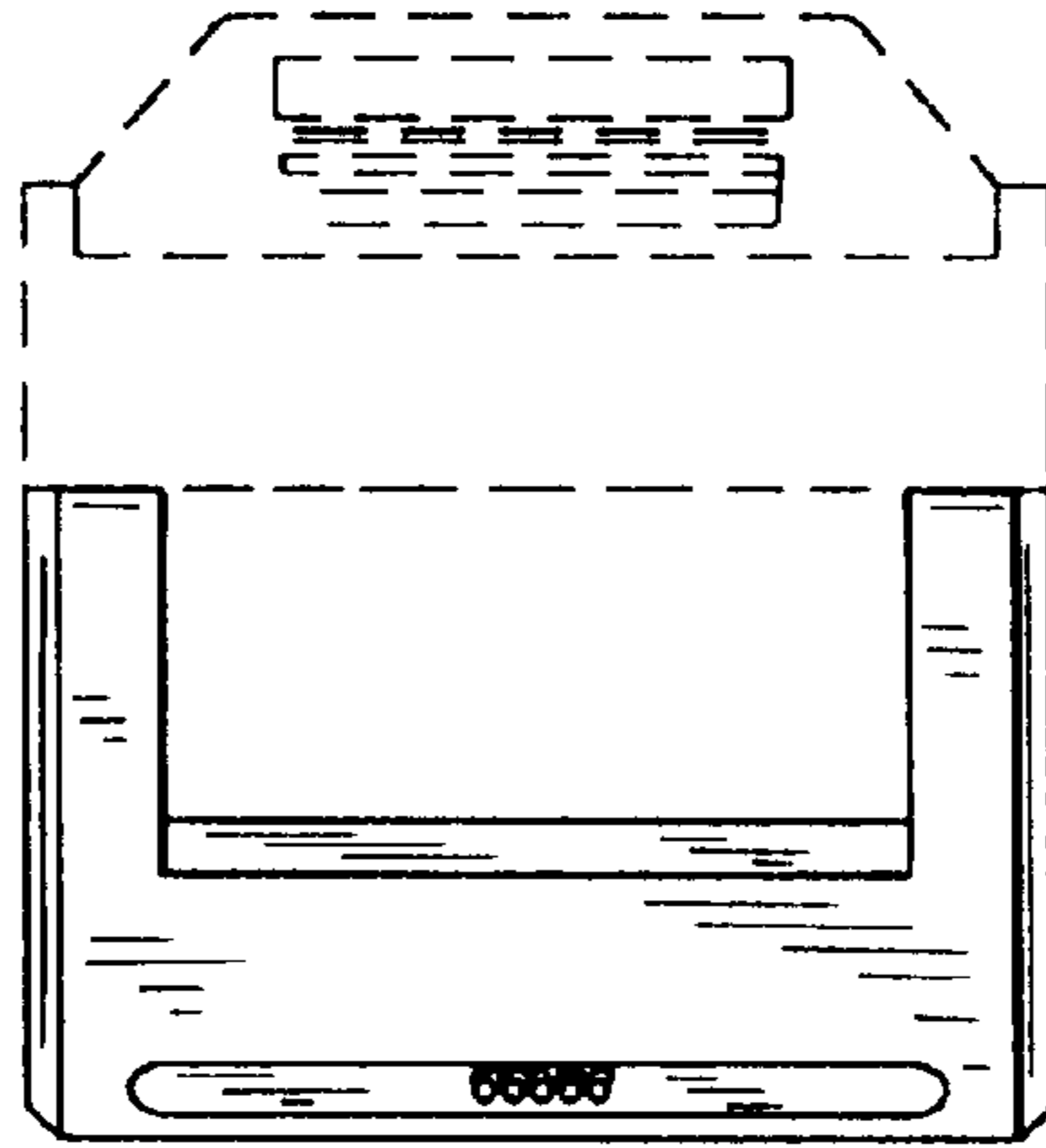


FIG. 21

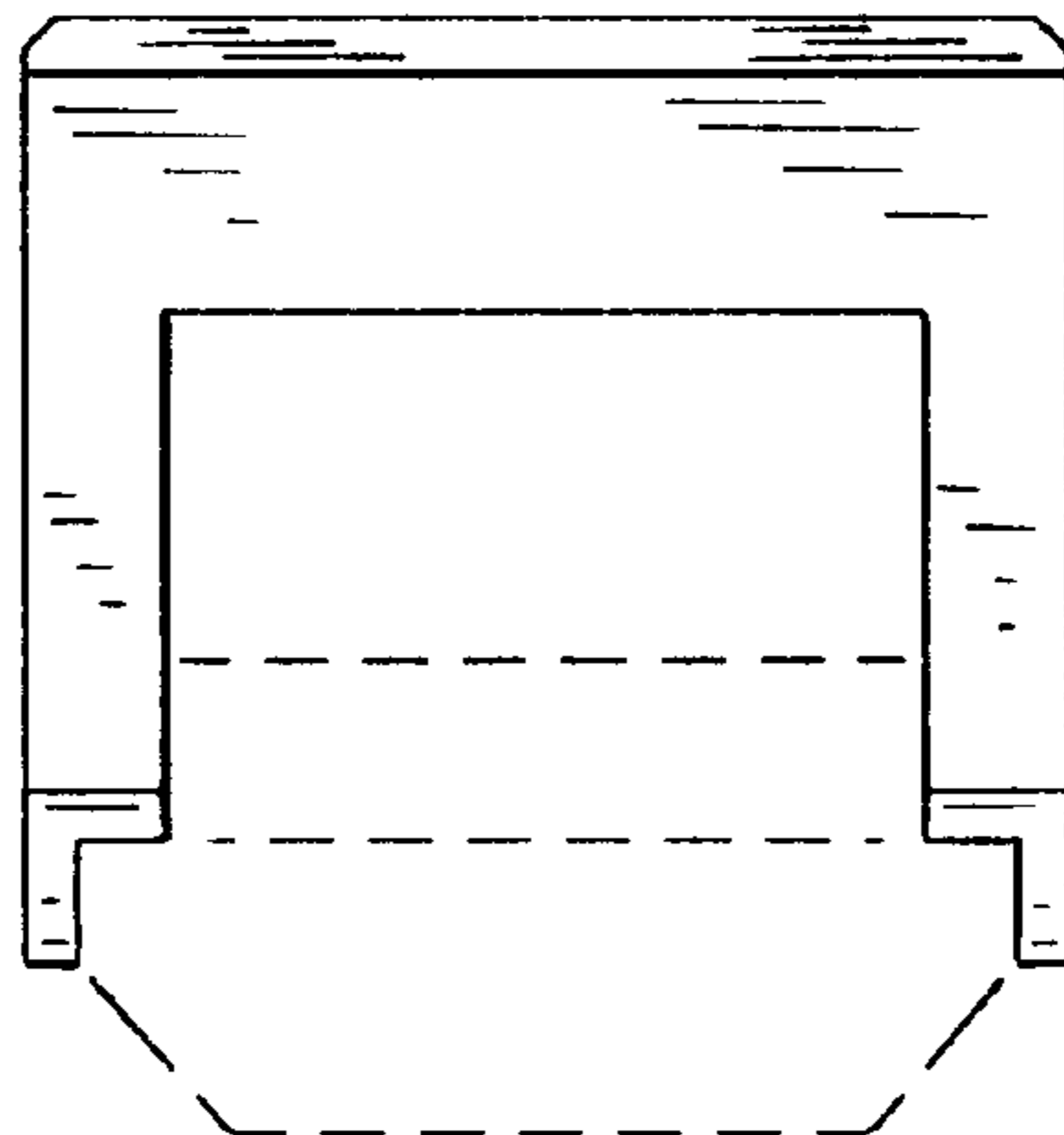


FIG. 22

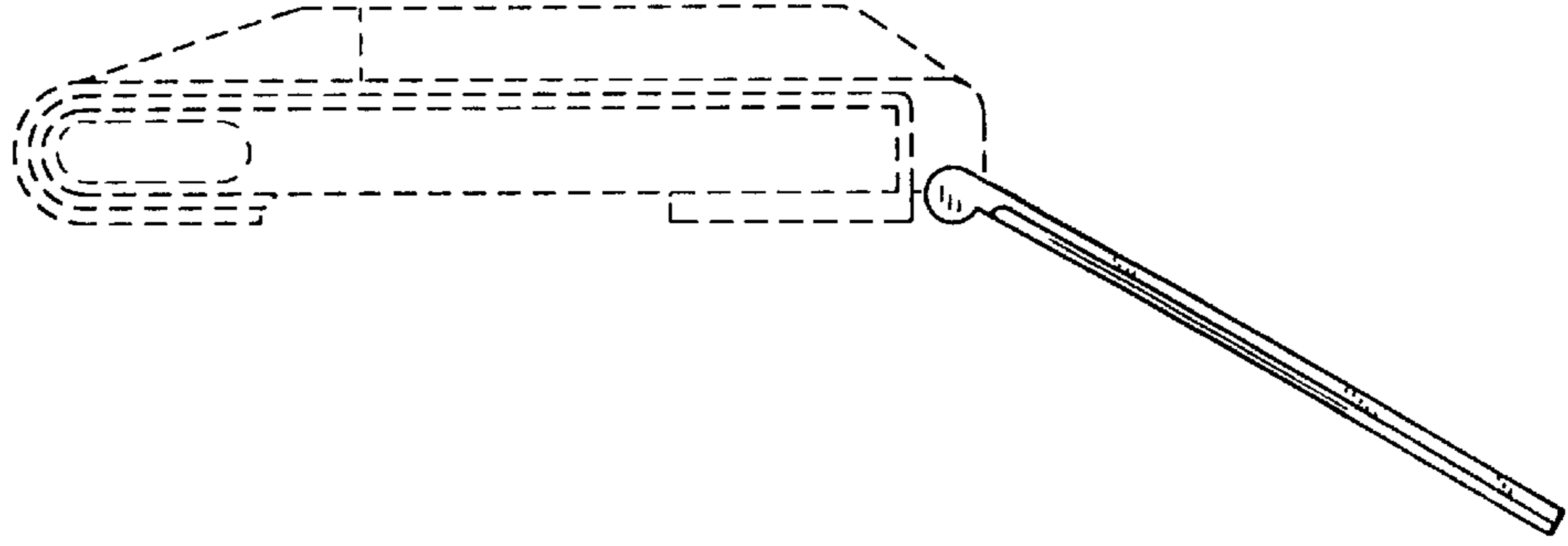


FIG. 19

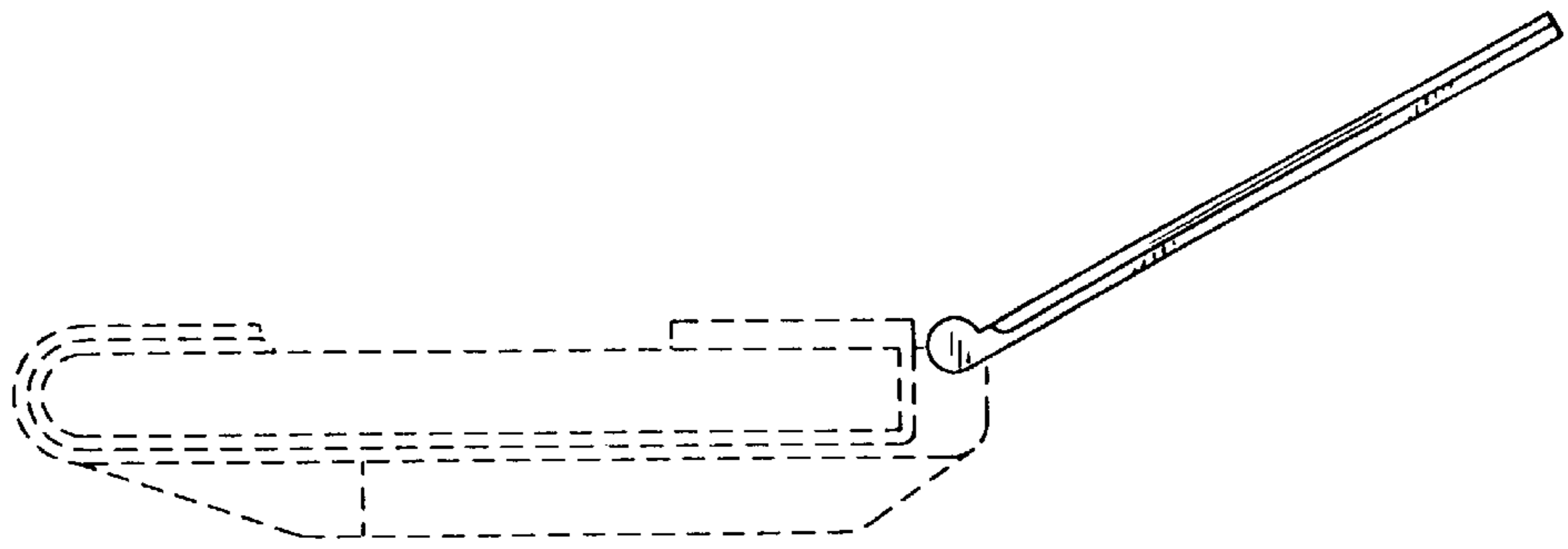


FIG. 23

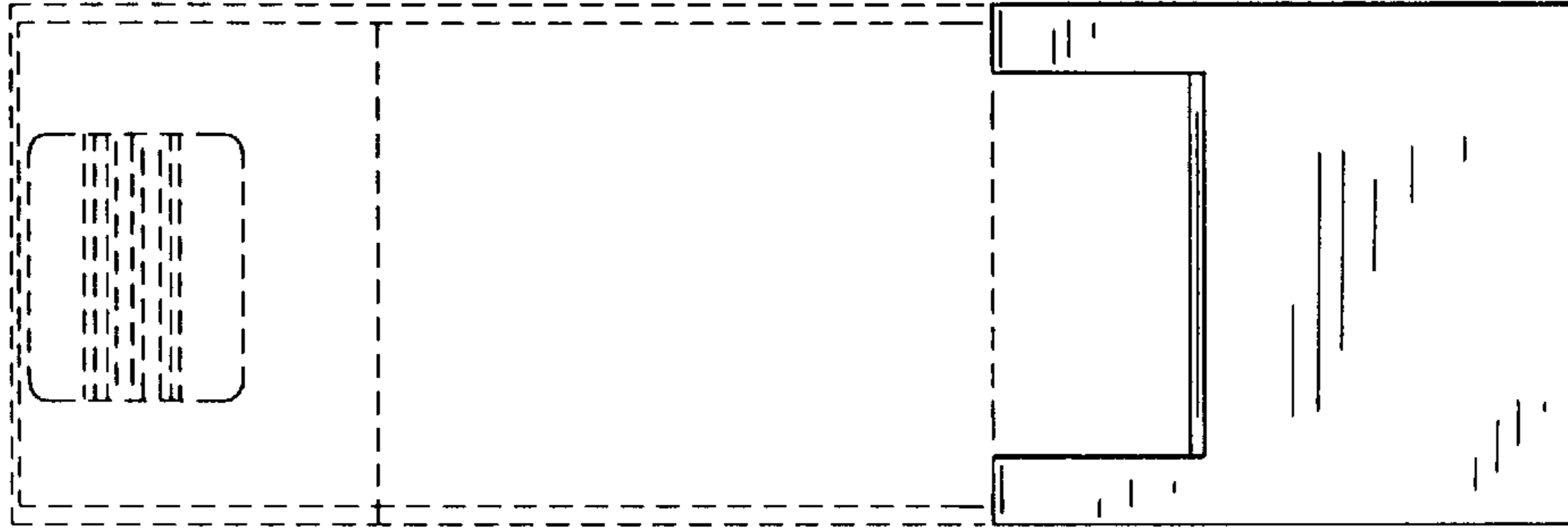


FIG. 20

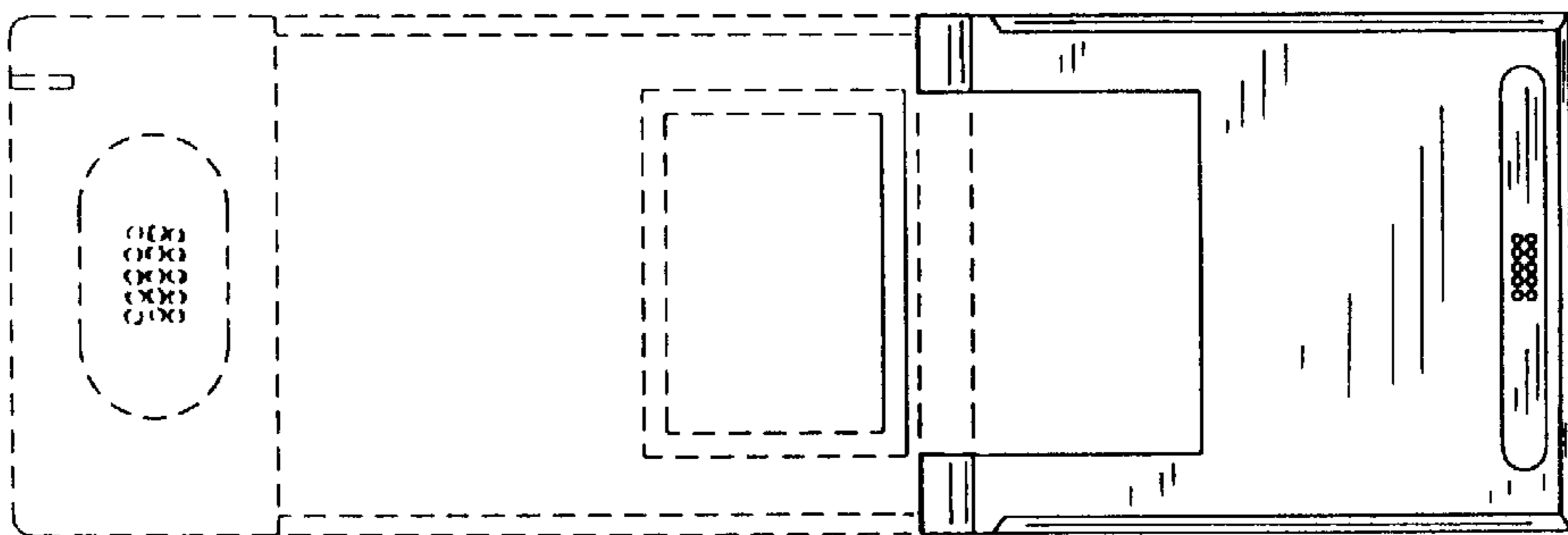


FIG. 32

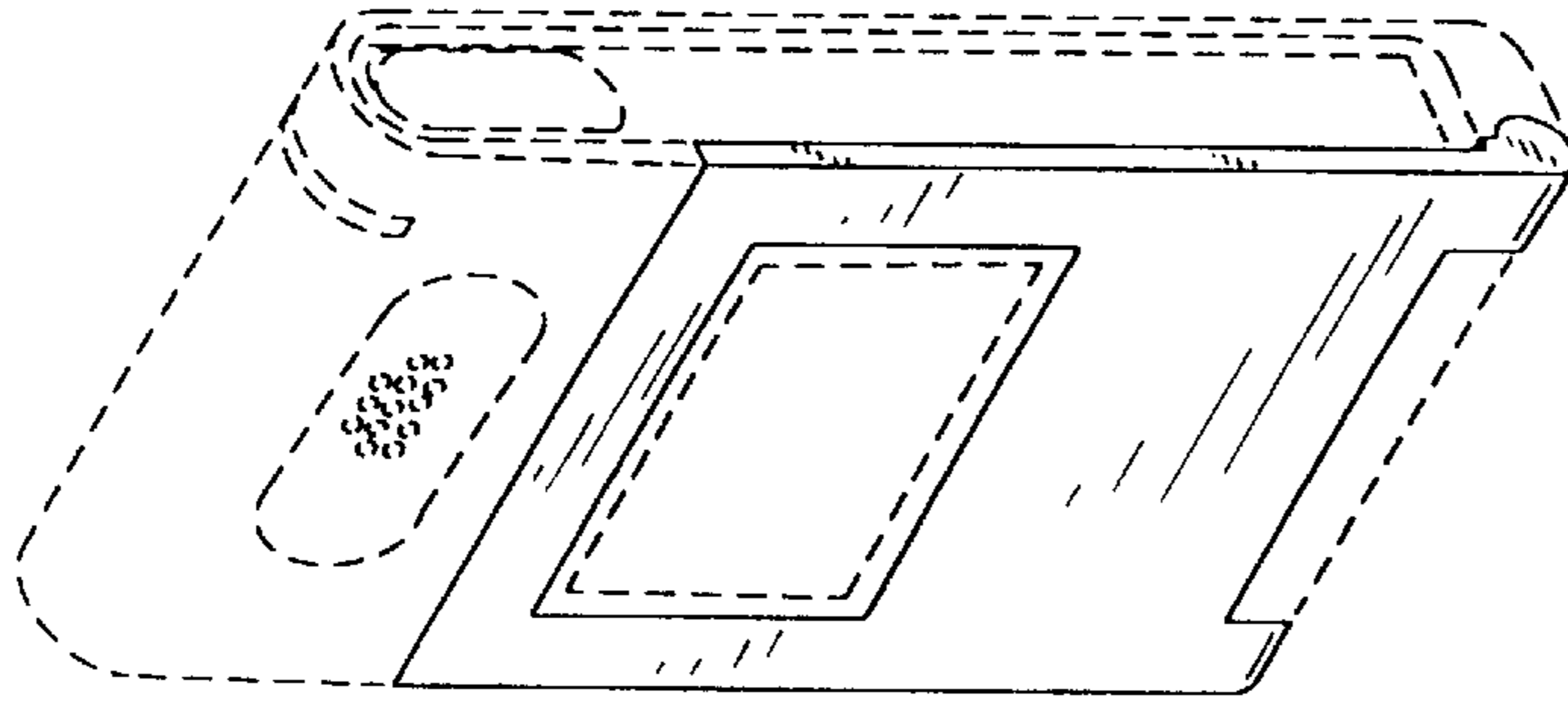


FIG. 25

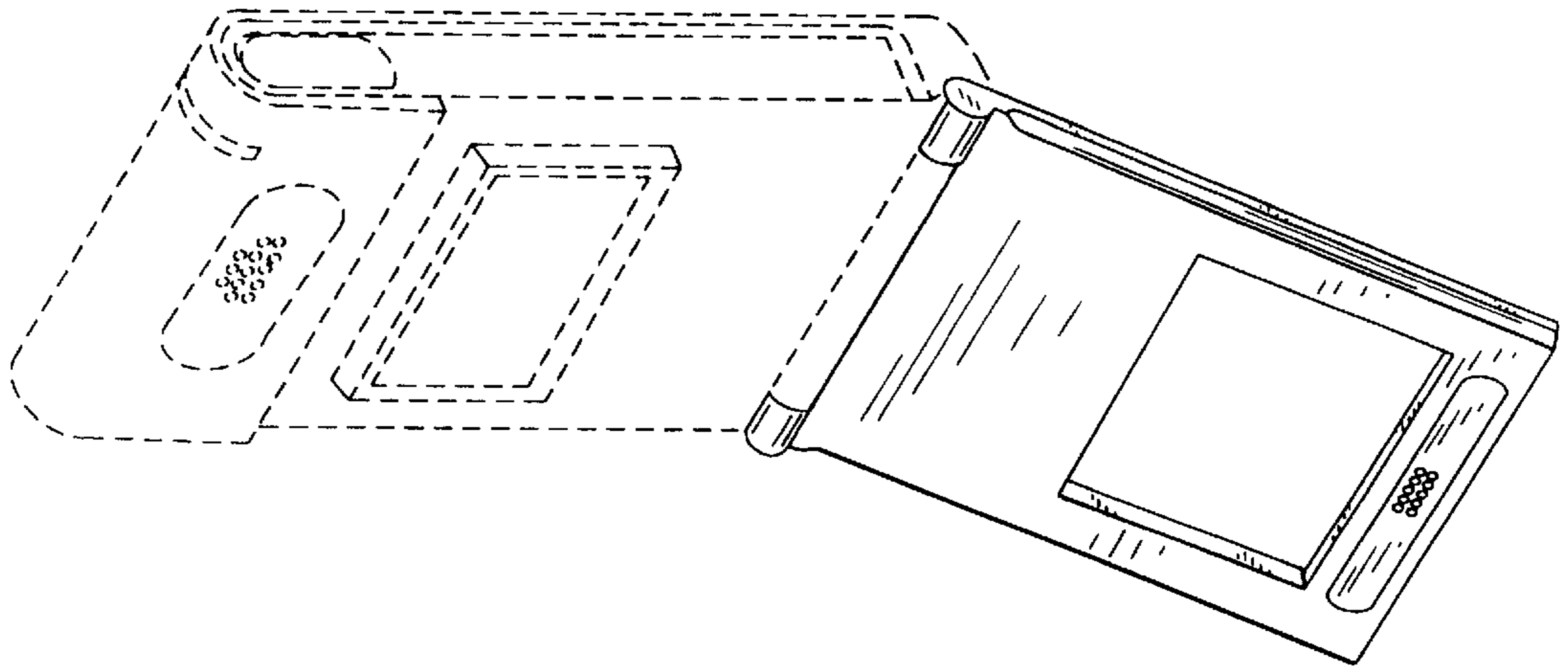


FIG. 26

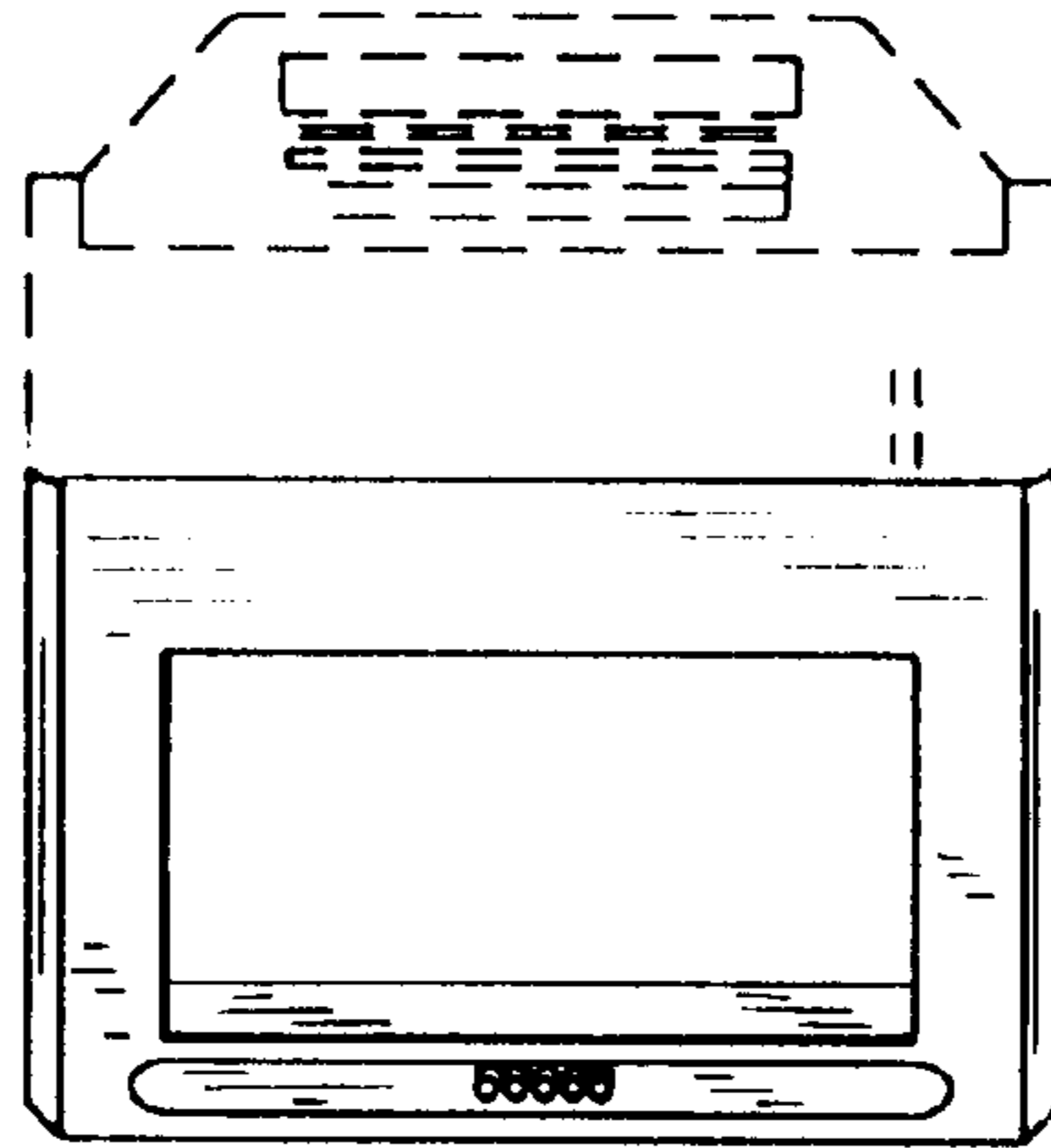


FIG. 29

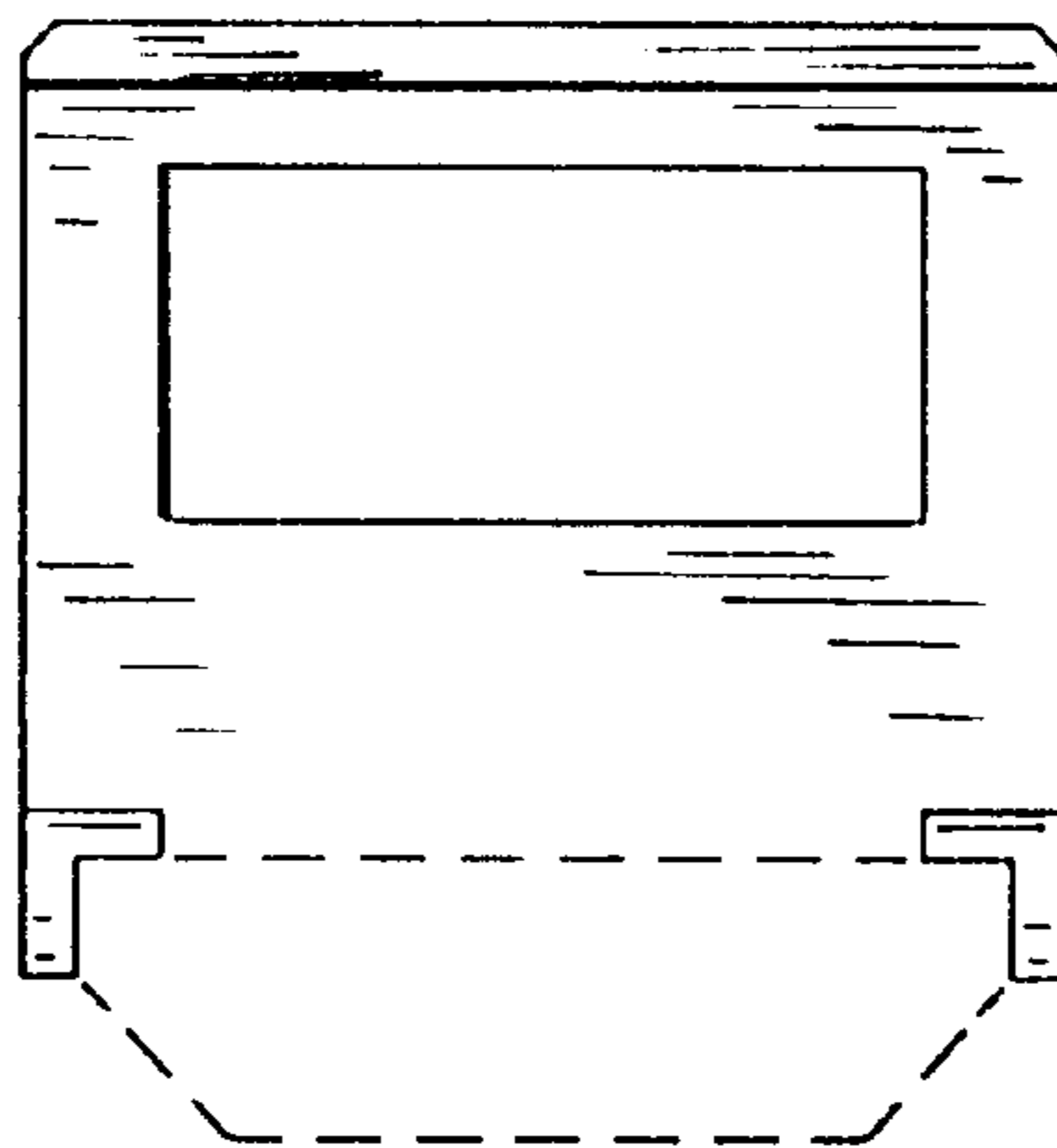


FIG. 30

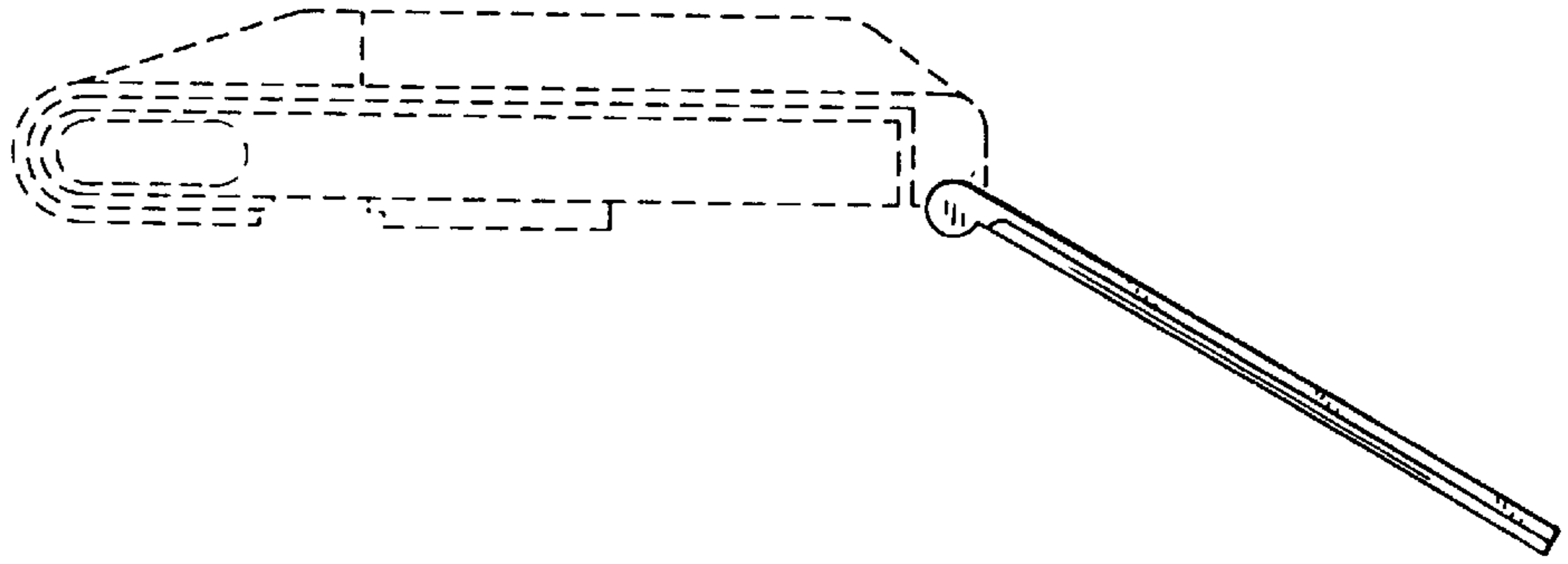


FIG. 27

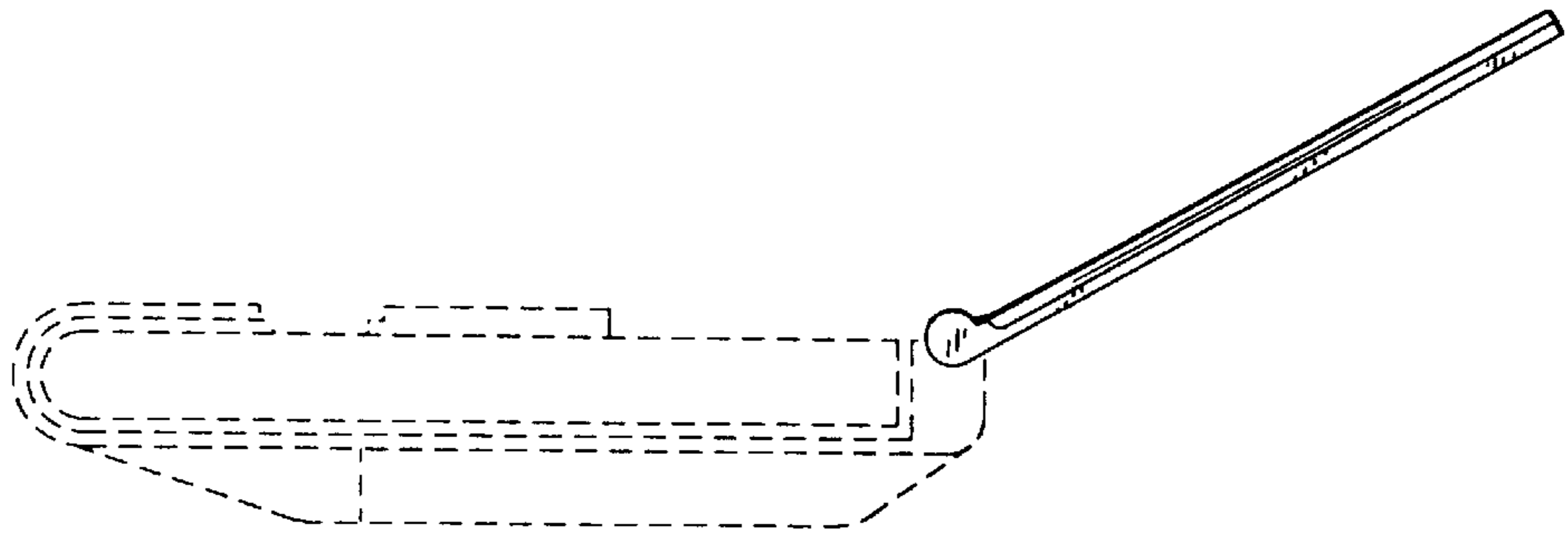




FIG. 31

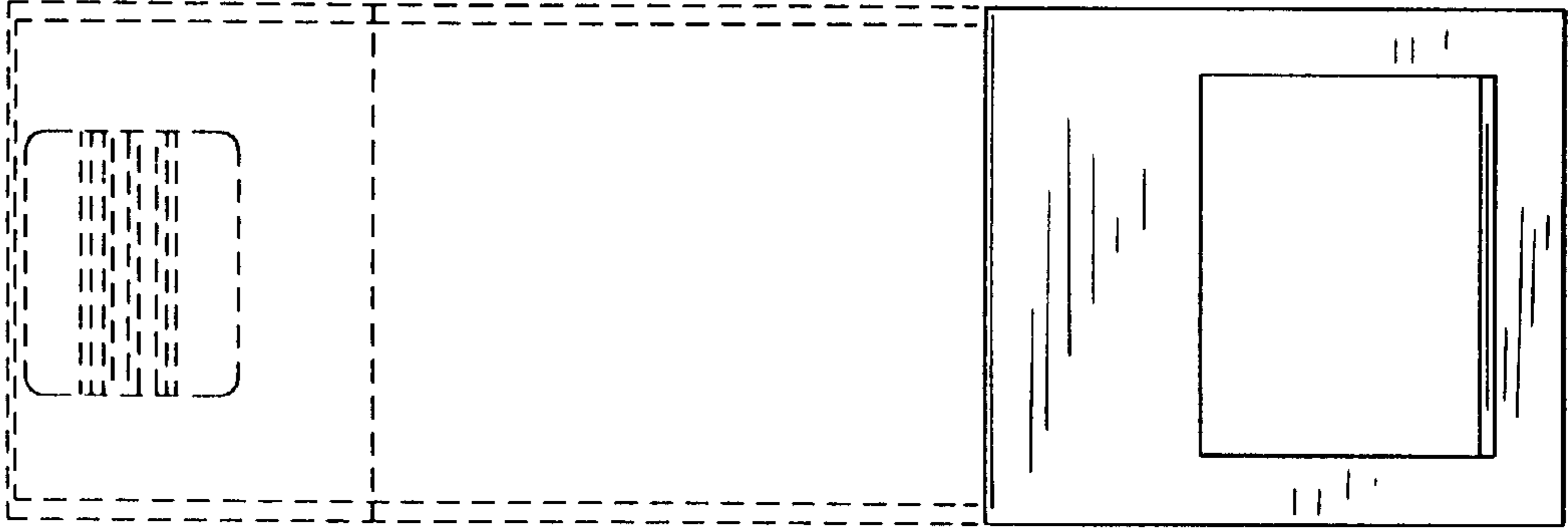


FIG. 28

