



US00D417453S

United States Patent [19]

Du

[11] Patent Number: Des. 417,453

[45] Date of Patent: ** Dec. 7, 1999

[54] MODEM

[75] Inventor: Sing-Long Du, Taipei, Taiwan

[73] Assignee: Askey Computer Corp., Taipei, Taiwan

[**] Term: 14 Years

[21] Appl. No.: 29/099,129

[22] Filed: Jan. 14, 1999

[51] LOC (6) Cl. 14-03

[52] U.S. Cl. D14/242; D14/107

[58] Field of Search D14/125, 257, D14/140, 142, 107, 109, 102, 100, 240, 242, 155, 159, 141; 379/419, 420, 428, 440, 406, 93.01, 93.28; 455/550-575, 90; D13/184, 147, 162, 164; 361/600, 622, 724-728; 375/220-225

[56] **References Cited**

U.S. PATENT DOCUMENTS

- D. 322,963 1/1992 Kittirutsunetorn D14/107
- D. 339,115 9/1993 Eilersten D14/107
- D. 342,488 12/1993 Kuzomoto et al. D14/109

- D. 346,606 5/1994 Harris et al. D14/242
- D. 375,485 11/1996 Gray D14/102
- D. 384,649 10/1997 Heberling et al. D14/102
- D. 387,742 12/1997 Lain D14/109 X
- D. 389,088 1/1998 Murphy D14/109 X
- D. 396,706 8/1998 Rao D14/109
- D. 408,024 4/1999 Wilson, Sr. et al. D14/100

Primary Examiner—Jeffrey Asch
Attorney, Agent, or Firm—Browdy and Neimark

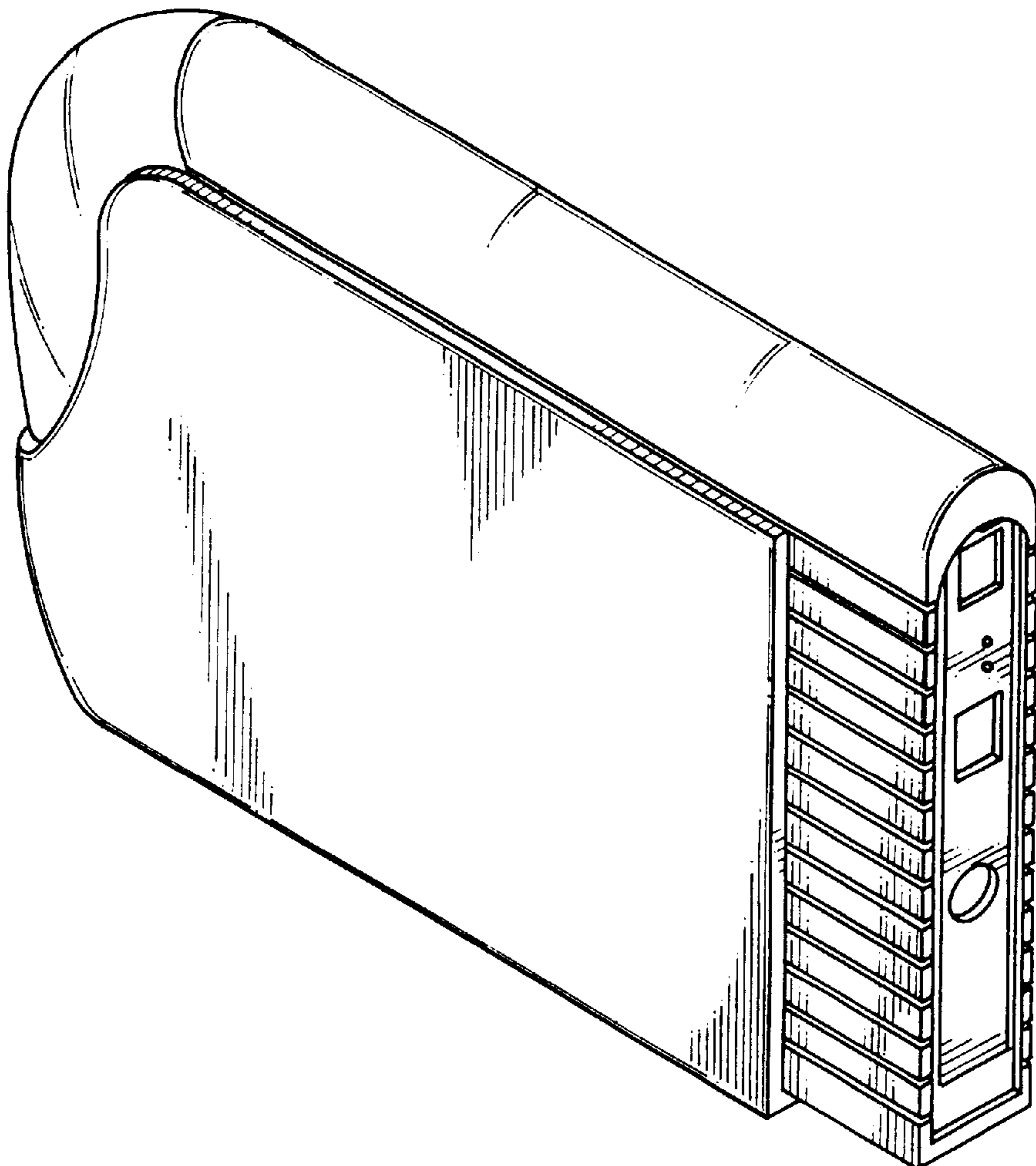
[57] **CLAIM**

The ornamental design for a modem, as shown and described.

DESCRIPTION

FIG. 1 shows a perspective view of the present design.
 FIG. 2 shows a right elevational view of the present design.
 FIG. 3 shows a top plan view of the present design.
 FIG. 4 shows a front elevational view of the present design.
 FIG. 5 shows bottom plan view of the present design.
 FIG. 6 shows a left elevational view of the present design;
 and,
 FIG. 7 shows a rear elevational view of the present design.

1 Claim, 3 Drawing Sheets



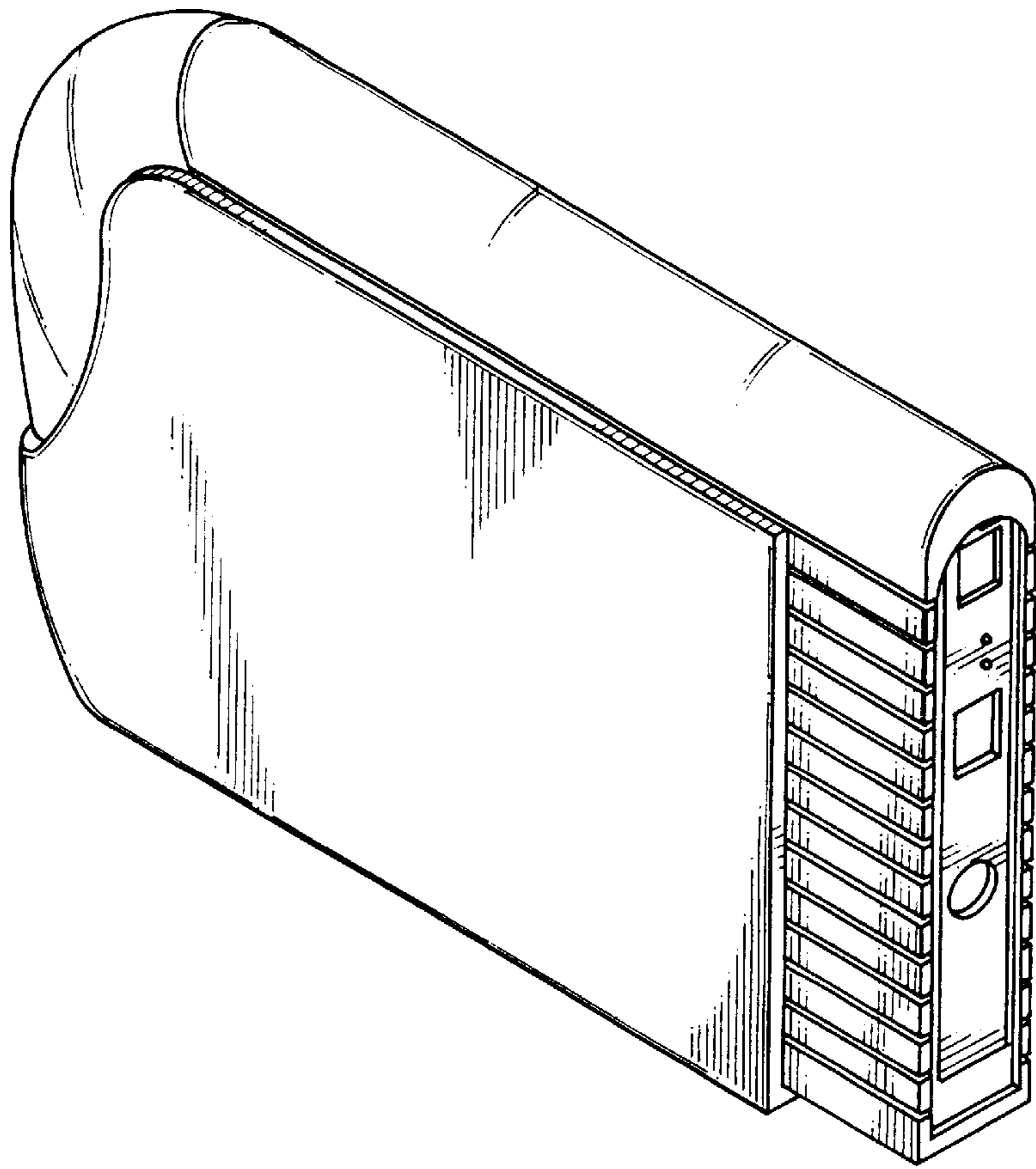


FIG. 1

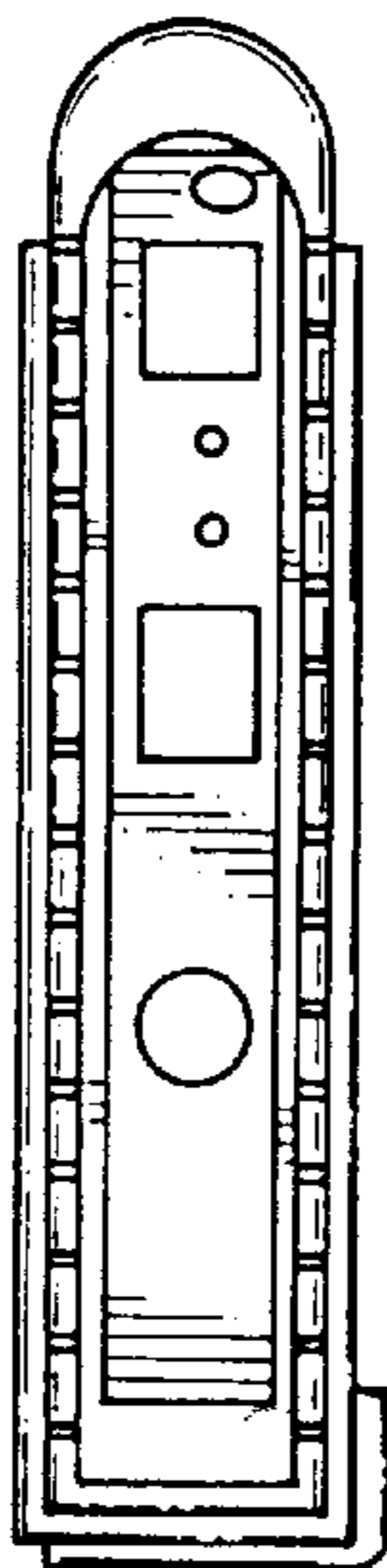


FIG. 2

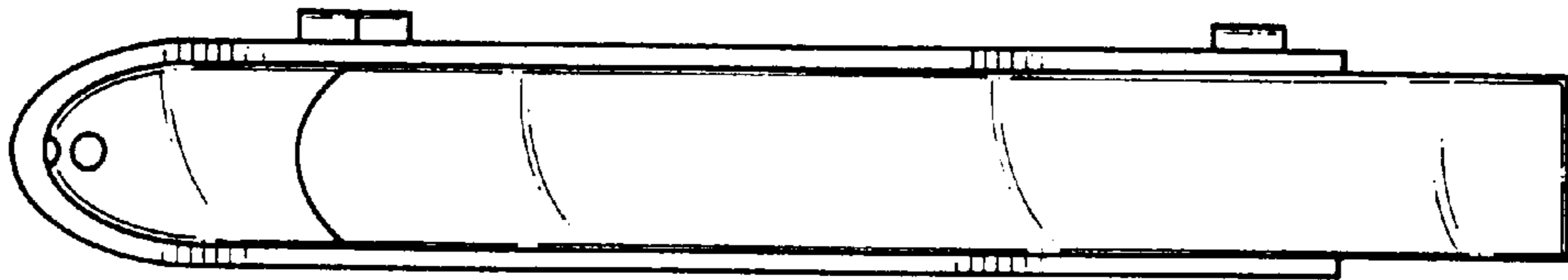


FIG. 3

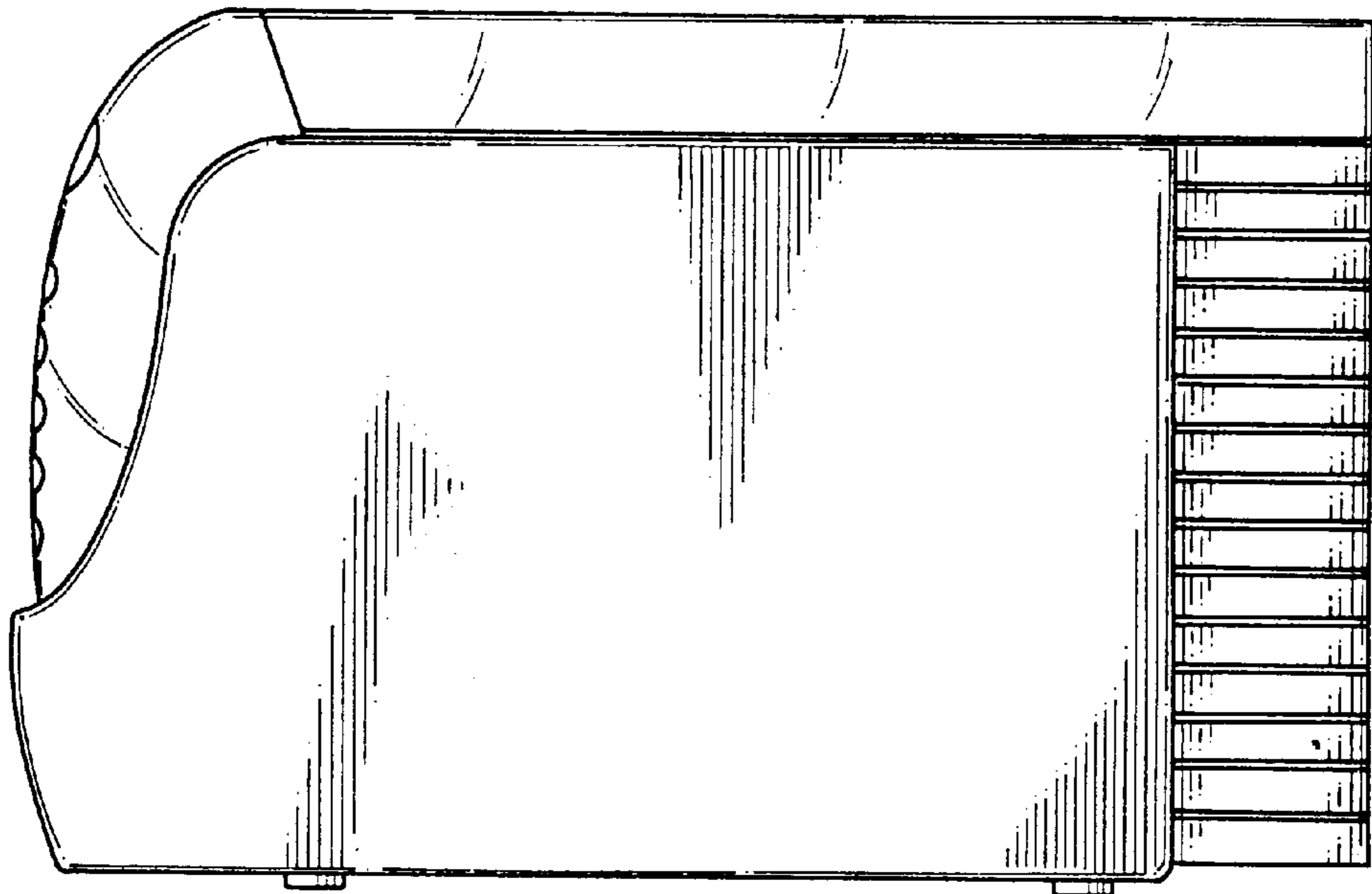


FIG. 4

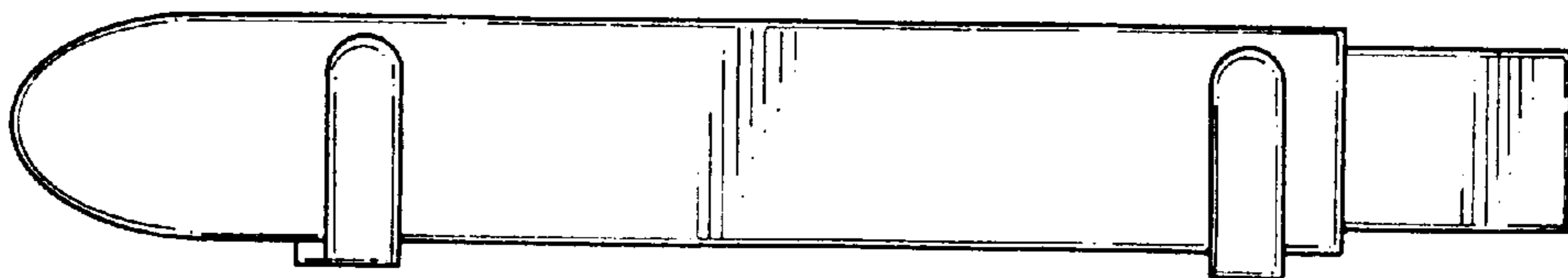


FIG. 5

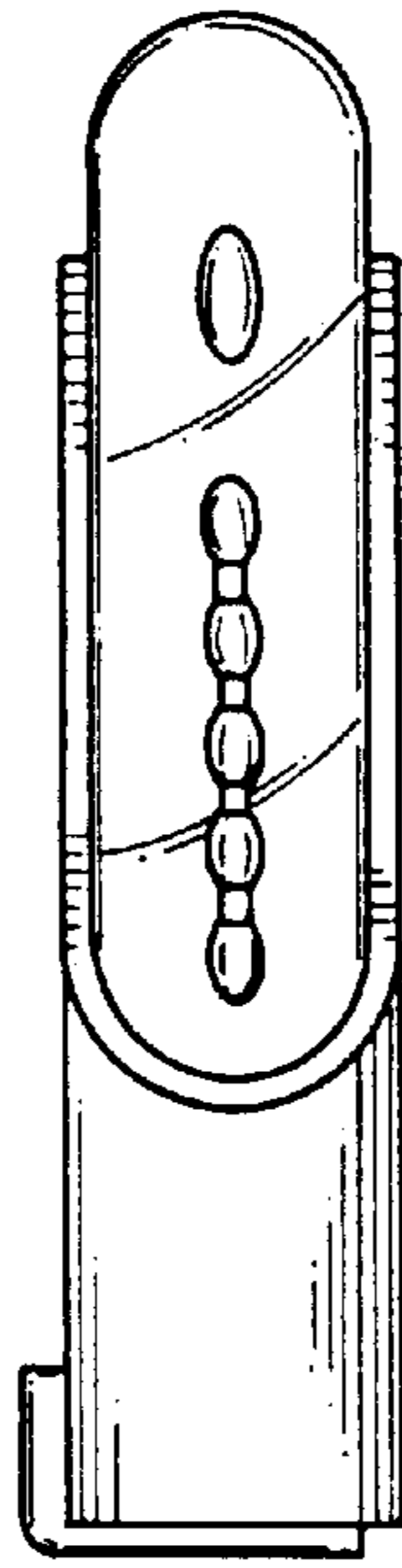


FIG. 6

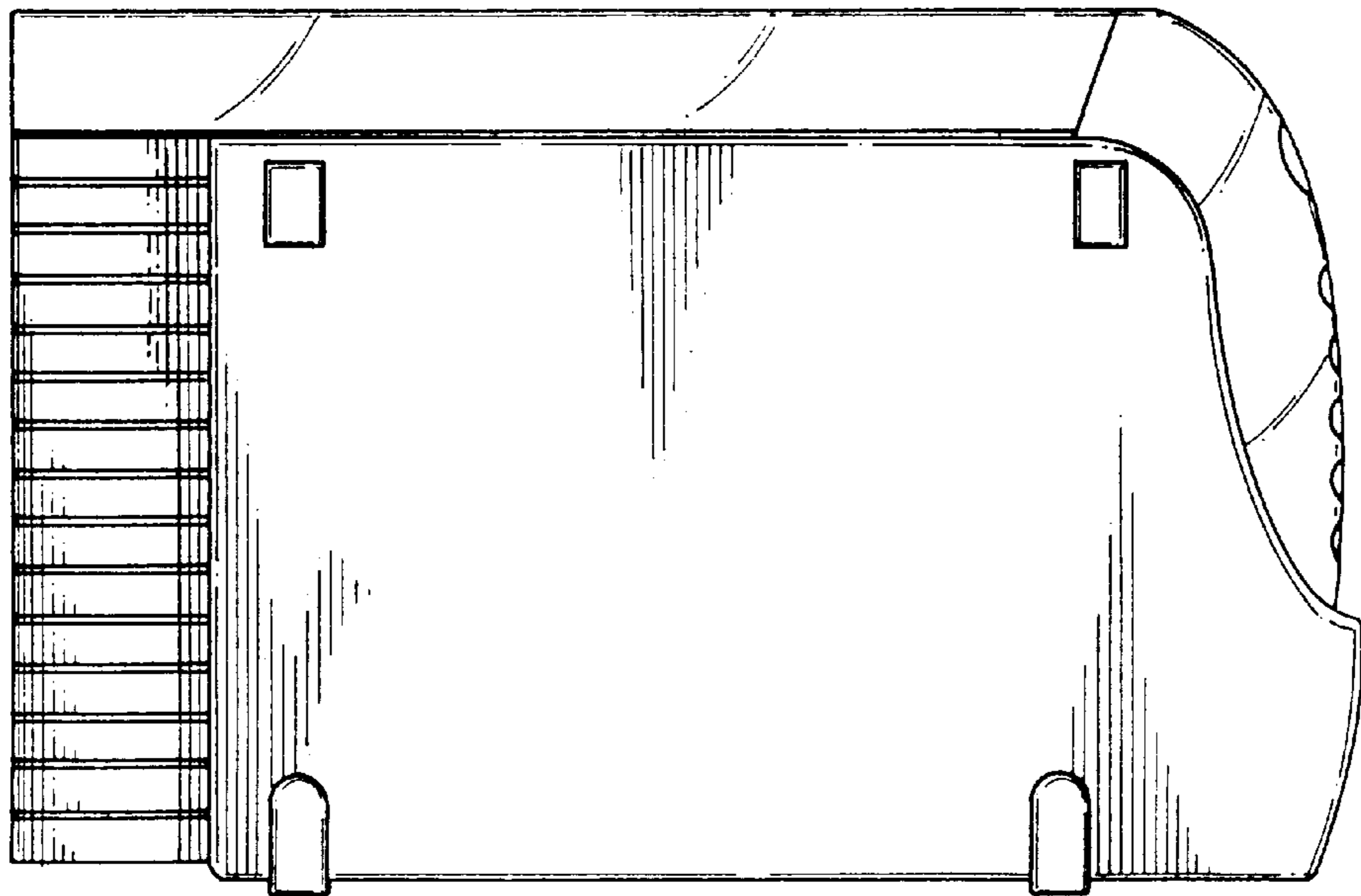


FIG. 7