



US00D417451S

# United States Patent [19] Tejima

[11] **Patent Number: Des. 417,451**

[45] **Date of Patent: \*\* Dec. 7, 1999**

[54] **DISC RECORDER COMBINED WITH RADIO RECEIVER AND DISC PLAYER**

*Primary Examiner—Nanda Bondade  
Attorney, Agent, or Firm—Foley & Lardner*

[75] Inventor: **Keisuke Tejima**, Tokyo, Japan

[57] **CLAIM**

[73] Assignee: **Sony Corporation**, Tokyo, Japan

The ornamental design for a disc recorder combined with radio receiver and disc player, as shown and described.

[\*\*] Term: **14 Years**

### DESCRIPTION

[21] Appl. No.: **29/095,783**

FIG. 1 is a perspective view of a disc recorder combined with radio receiver and disc player showing our new design;

[22] Filed: **Oct. 3, 1998**

FIG. 2 is a top plan view thereof;

[51] **LOC (6) Cl.** ..... **14-01**

FIG. 3 is a bottom plan view thereof;

[52] **U.S. Cl.** ..... **D14/168; D14/156**

FIG. 4 is a left side elevational view thereof;

[58] **Field of Search** ..... D14/135, 136,  
D14/156, 160-163, 167-168, 188, 193-198,  
299; 369/75.1, 75.2, 77.1, 77.2; 455/344,  
347, 350, 351

FIG. 5 is a front elevational view thereof;

FIG. 6 is a right side elevational view thereof;

### [56] **References Cited**

FIG. 7 is a rear elevational view thereof; and,

#### U.S. PATENT DOCUMENTS

FIG. 8 is a perspective view thereof, wherein the lid portion is in the open position.

D. 284,963	8/1986	Imazeki	.....	D14/198
D. 294,691	3/1988	Yoshida et al.	.....	D14/156
D. 315,734	3/1991	Shimasaki	.....	D14/188 X
D. 342,733	12/1993	Kanno	.....	D14/156

The broken line showing is for illustrative purposes only and form no part of the claimed design.

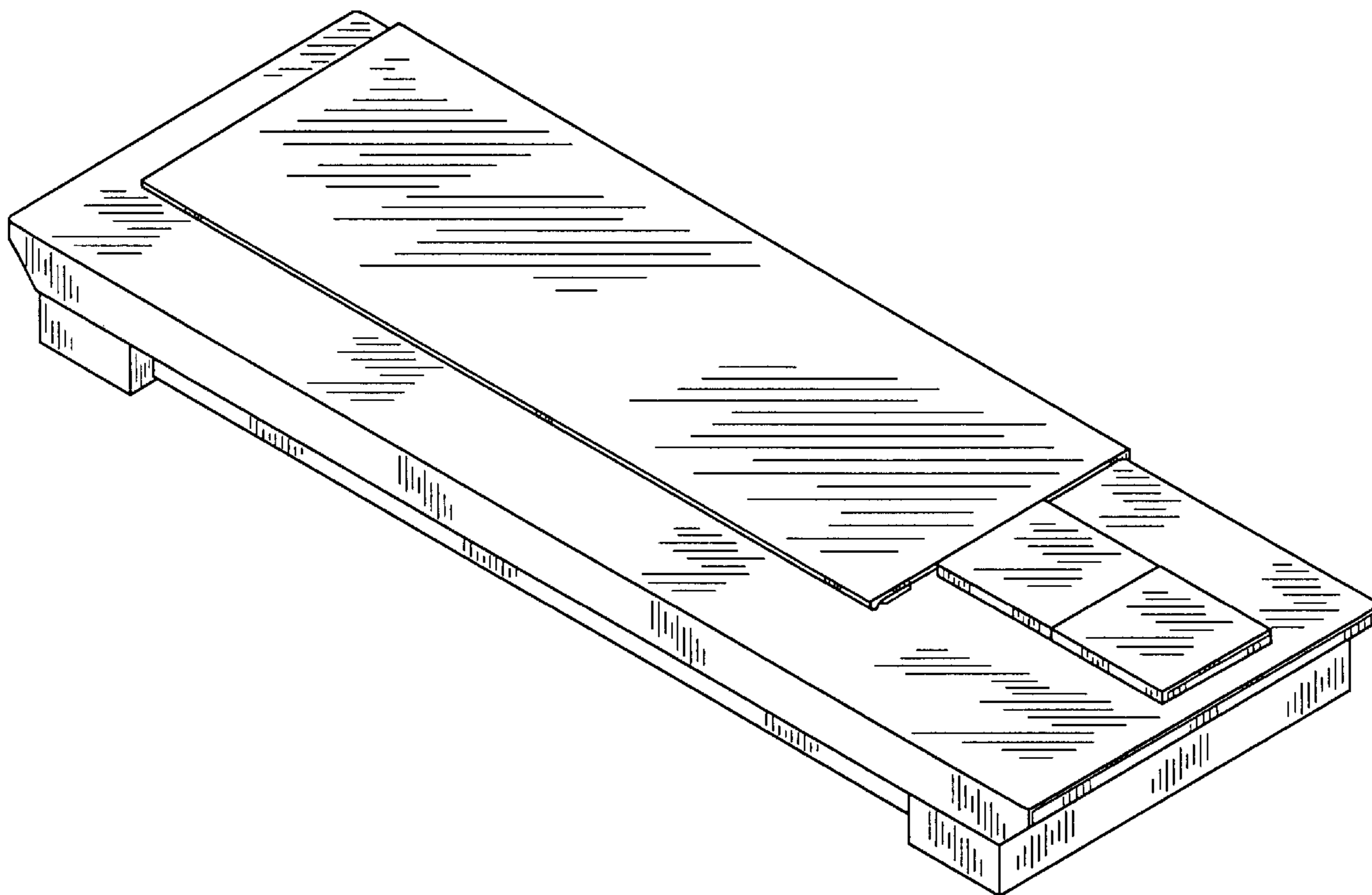
#### OTHER PUBLICATIONS

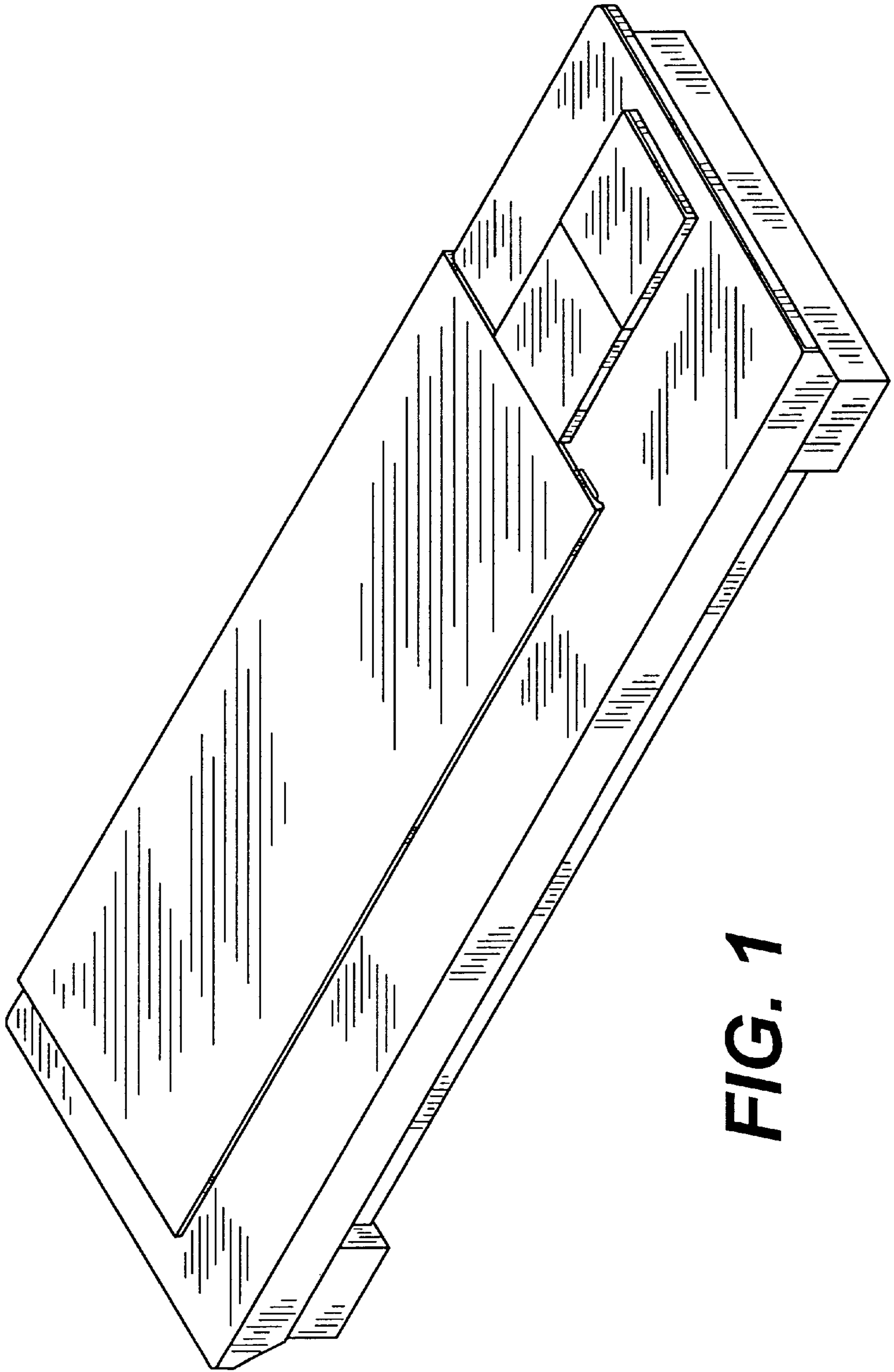
The inside portions of the disc recorder combined with radio receiver and disc player which are not visible in FIG. 8 form no part of the claimed design.

Catalog "82", p. 106, Sony (Mar. 1996).

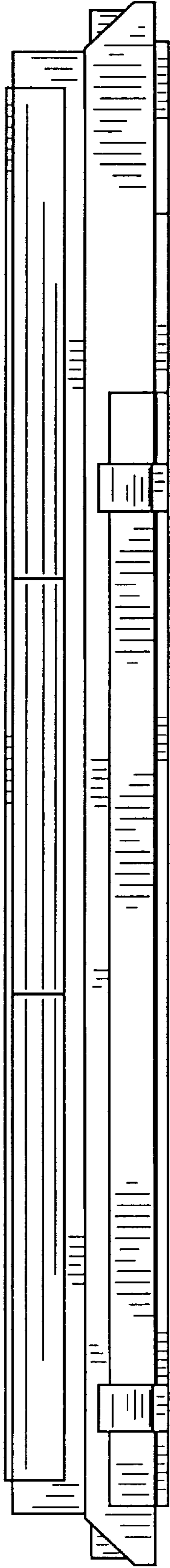
Catalog "New Products 1998. Autumn AU", pp. 1, 19 & 20, Sony (Aug. 1998).

**1 Claim, 6 Drawing Sheets**

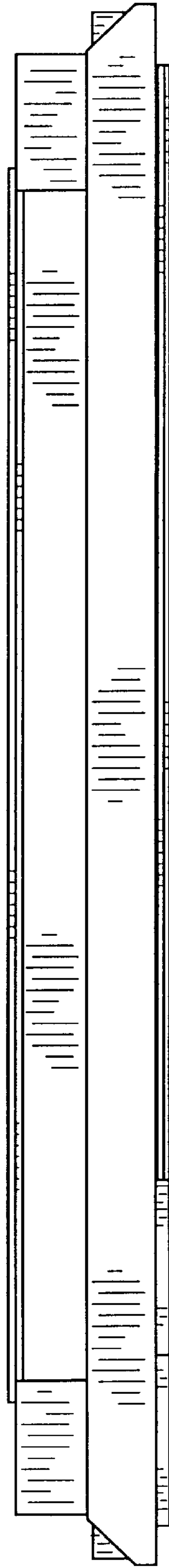




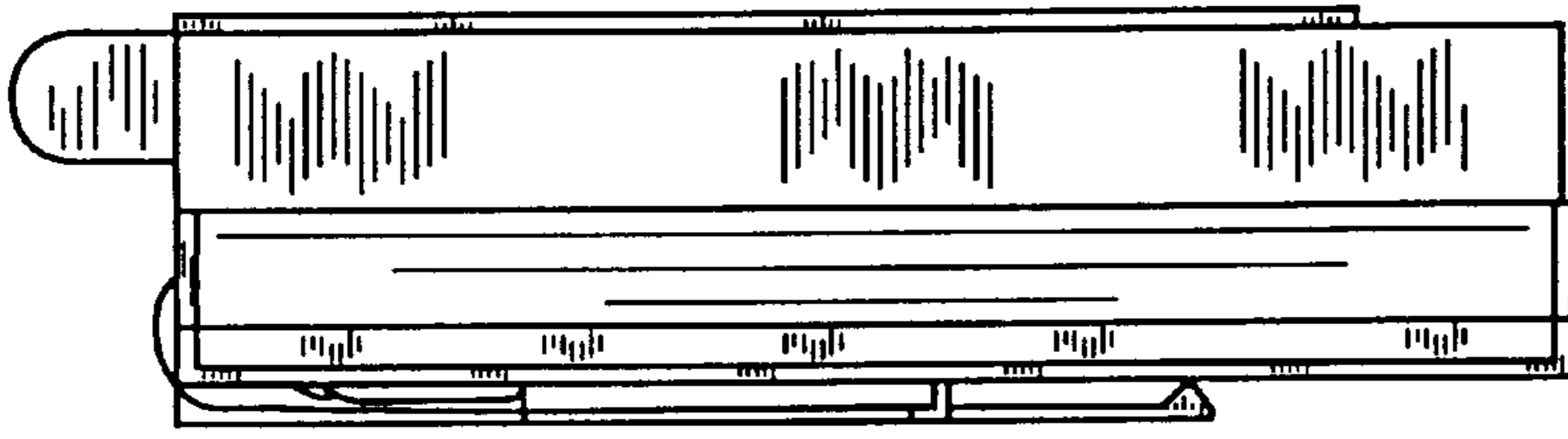
**FIG. 1**



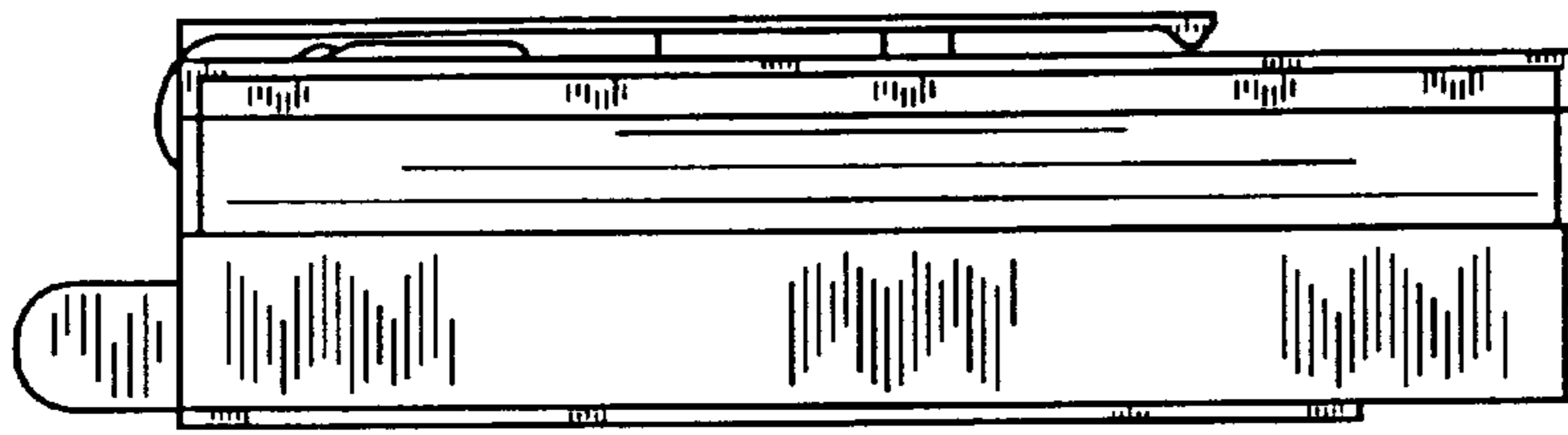
**FIG. 2**



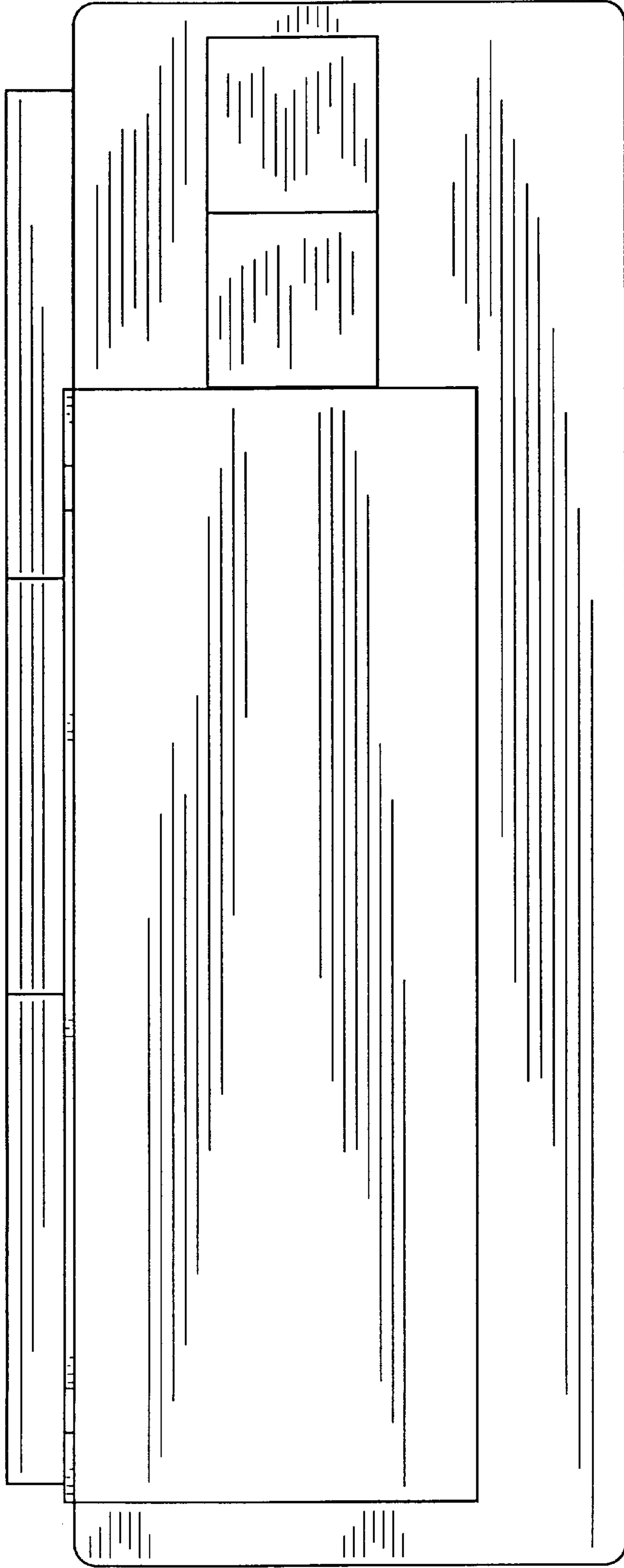
**FIG. 3**



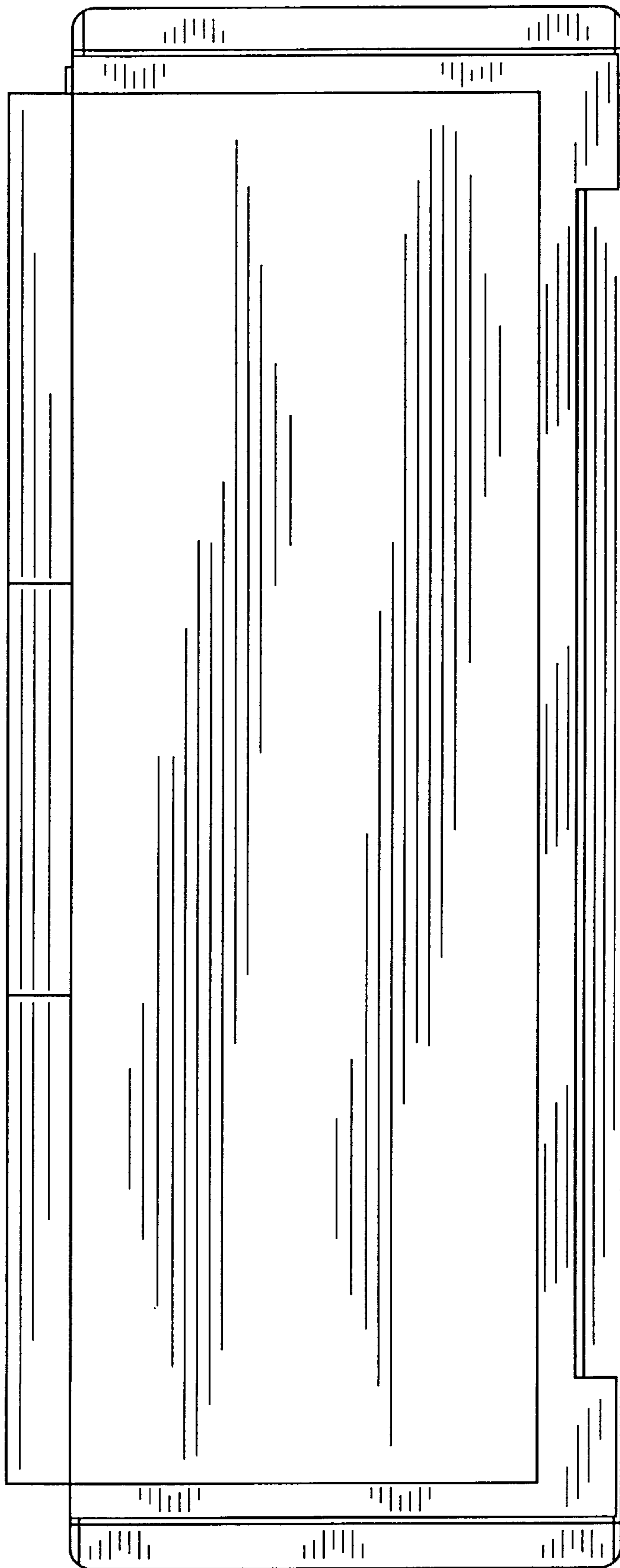
**FIG. 6**



**FIG. 4**



**FIG. 5**



**FIG. 7**



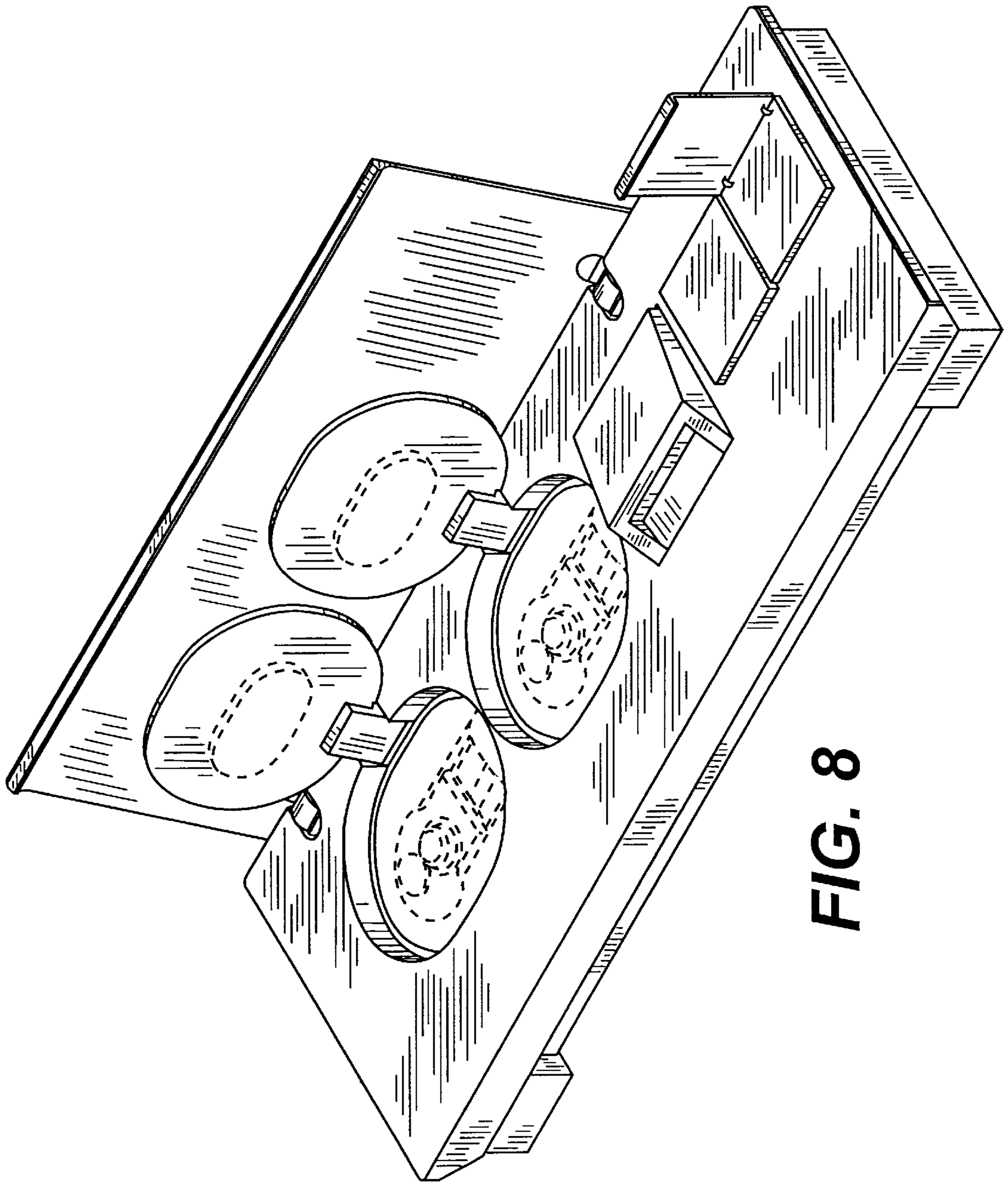


FIG. 8