



US00D417450S

United States Patent [19]

Kurachi et al.

[11] Patent Number: Des. 417,450

[45] Date of Patent: ** Dec. 7, 1999

[54] DIGITAL AUDIO DISC PLAYER EQUIPPED WITH MIXING FUNCTION

[75] Inventors: Jota Kurachi; Juichi Yamamoto; Manabu Kawachi, all of Tokyo, Japan

[73] Assignee: Pioneer Electronic Corporation, Tokyo, Japan

[**] Term: 14 Years

[21] Appl. No.: 29/081,213

[22] Filed: Dec. 24, 1997

[30] Foreign Application Priority Data

Jun. 24, 1997 [JP] Japan 9-59212

[51] LOC (6) Cl. 14-01

[52] U.S. Cl. D14/156; D14/168

[58] Field of Search D14/124, 135, D14/136, 156, 160, 162, 167-168, 217, 239; 369/75.1, 75.2, 77.1, 77.2; 379/202; 381/28, 103, 119

[56] References Cited

U.S. PATENT DOCUMENTS

D. 239,407	3/1976	Peol	D14/156	X
D. 294,691	3/1988	Yoshida et al.	D14/156	
D. 305,658	1/1990	Hosaka	D14/156	X
D. 315,157	3/1991	Sogabe	D14/156	
D. 329,231	9/1992	Lee	D14/156	

FOREIGN PATENT DOCUMENTS

933856 9/1995 Japan .

OTHER PUBLICATIONS

CDJ-300 of Pioneer Electroni Corporation, Jul. 1997.
CDJ-500II Limited of Pioneer Electronic Corporation, Sep. 1997.

Primary Examiner—Nanda Bondade
Attorney, Agent, or Firm—Oblon, Spivak, McClelland, Maier & Neustadt, P.C.

[57] CLAIM

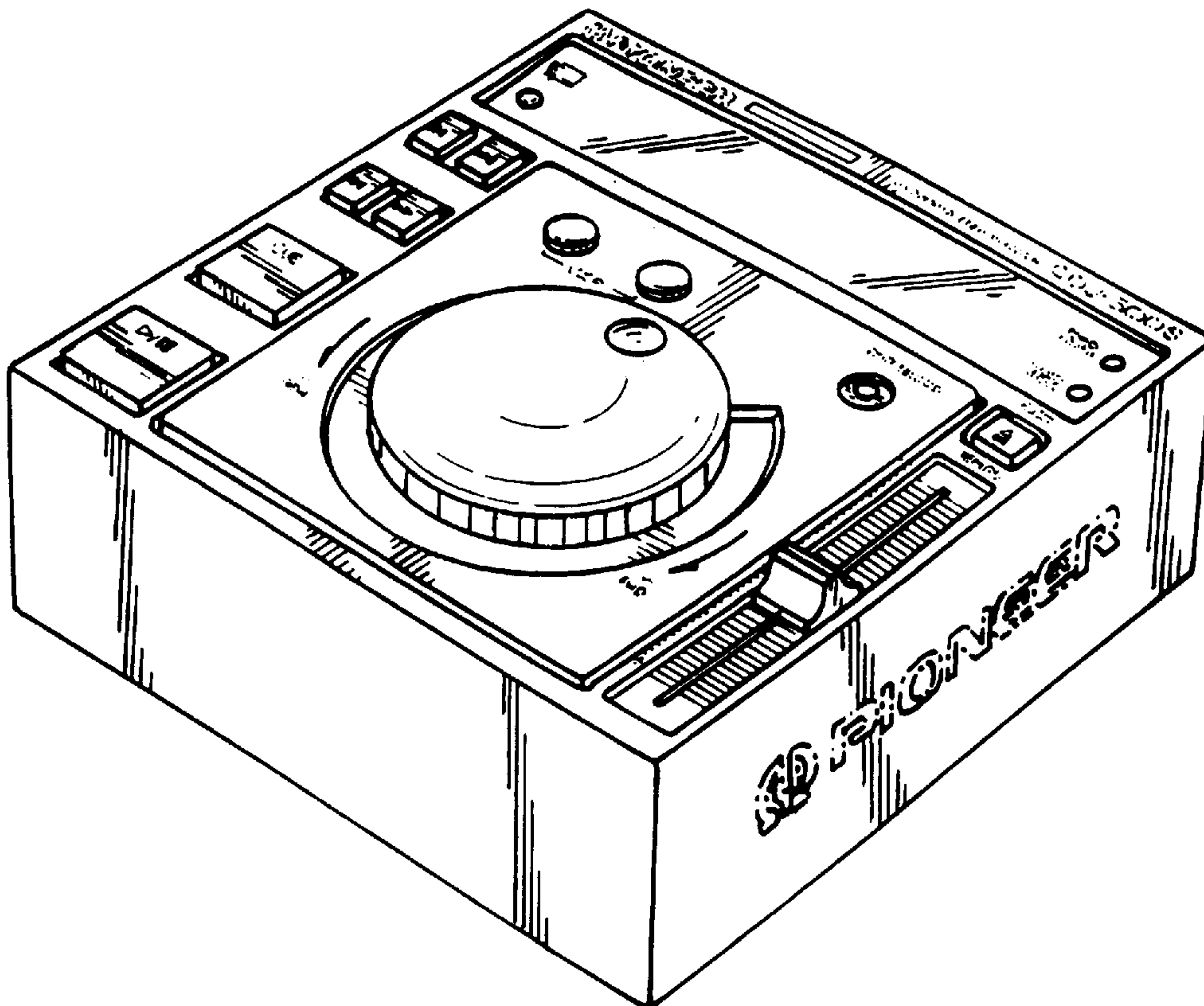
The ornamental design for a digital audio disc player equipped with mixing function, as shown and described.

DESCRIPTION

FIG. 1 is a front view of a digital audio disc player equipped with fixing function of our new design;
FIG. 2 is a side view thereof taken from the left side;
FIG. 3 is a side view thereof taken from the right side;
FIG. 4 is a rear view thereof;
FIG. 5 is a top view thereof;
FIG. 6 is a bottom view thereof; and,
FIG. 7 is a perspective view thereof.

The phantom line showing of a indica in the drawings is for illustrative purposes only forms no part of the claimed design.

1 Claim, 5 Drawing Sheets



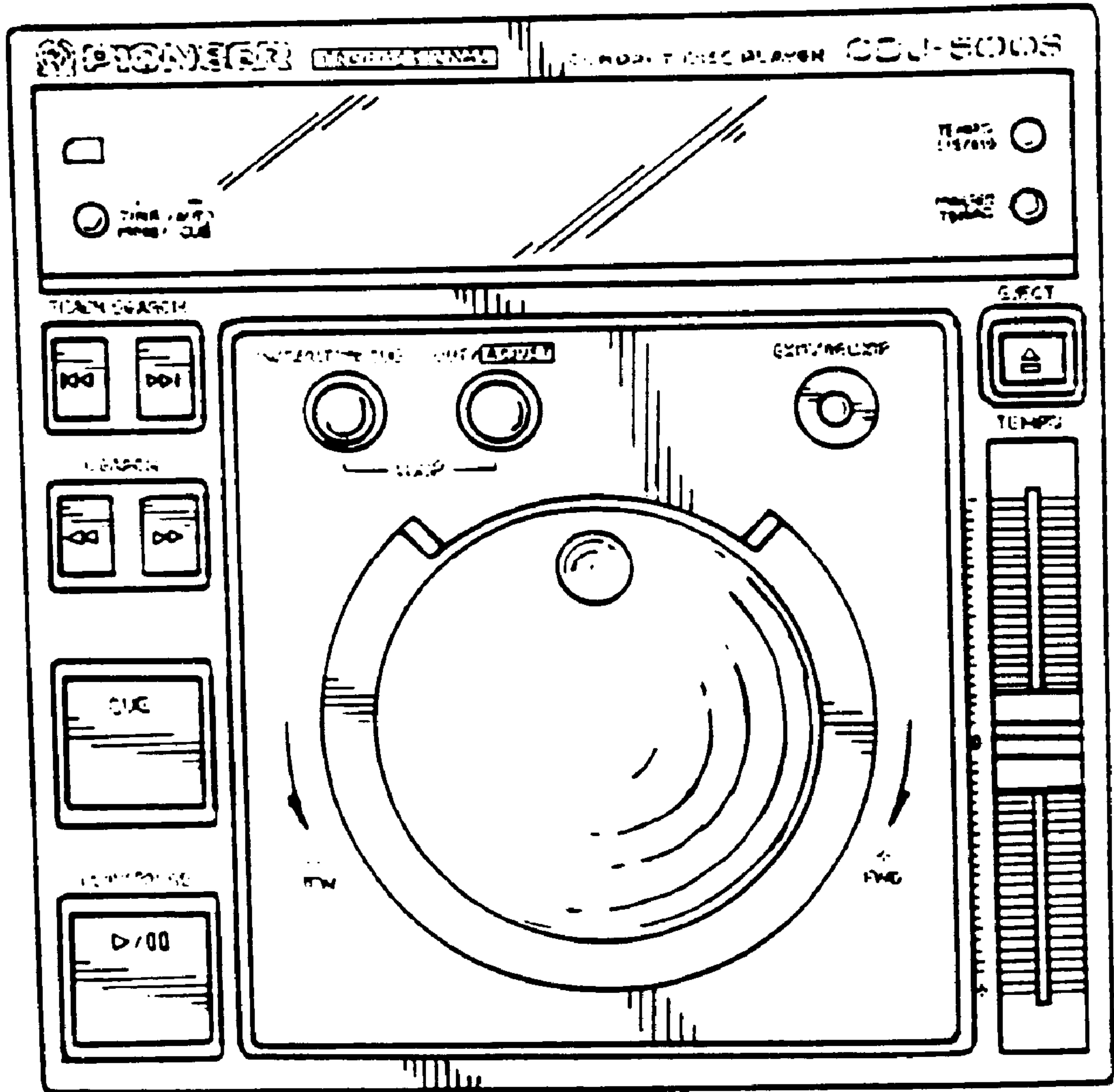


FIG. 1

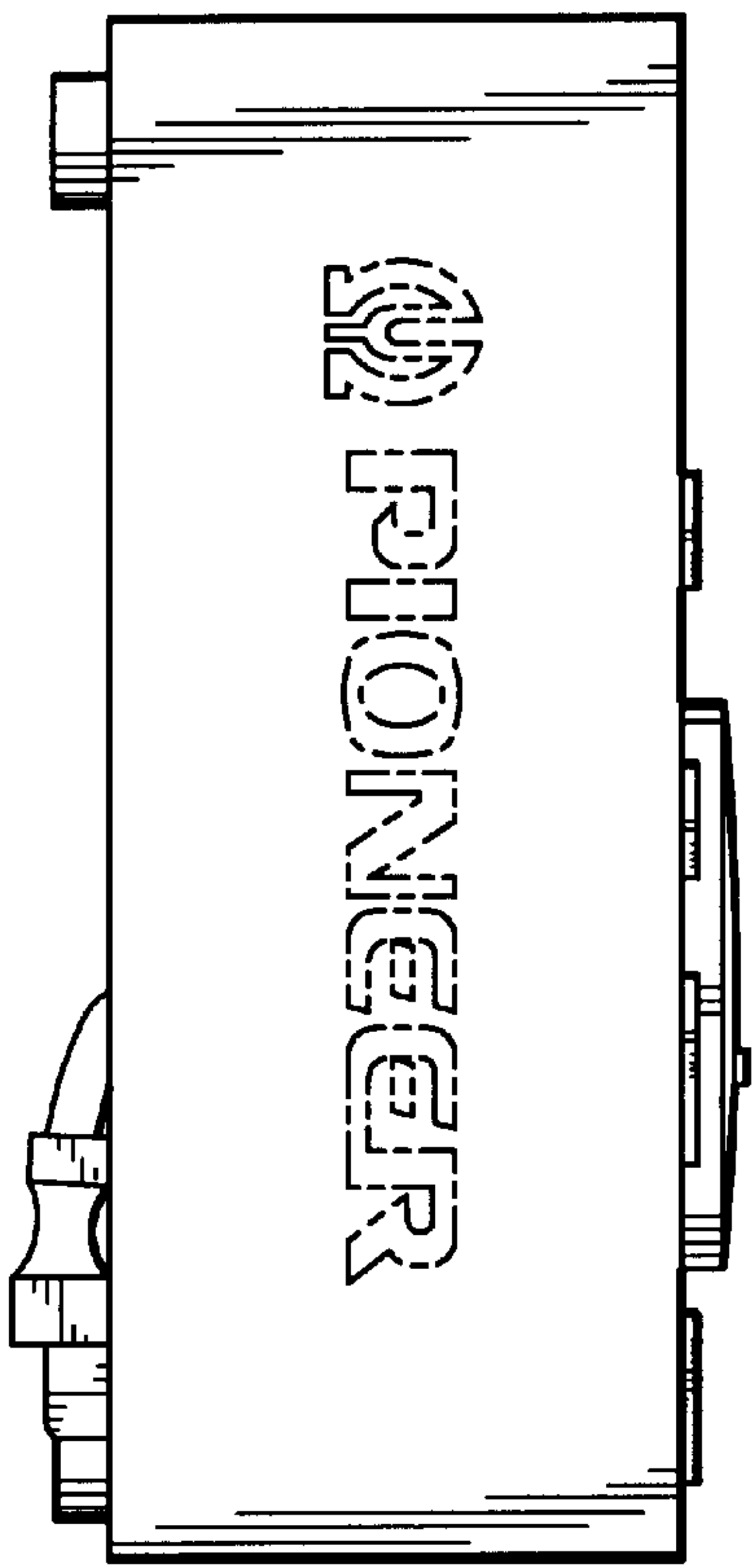


FIG. 2

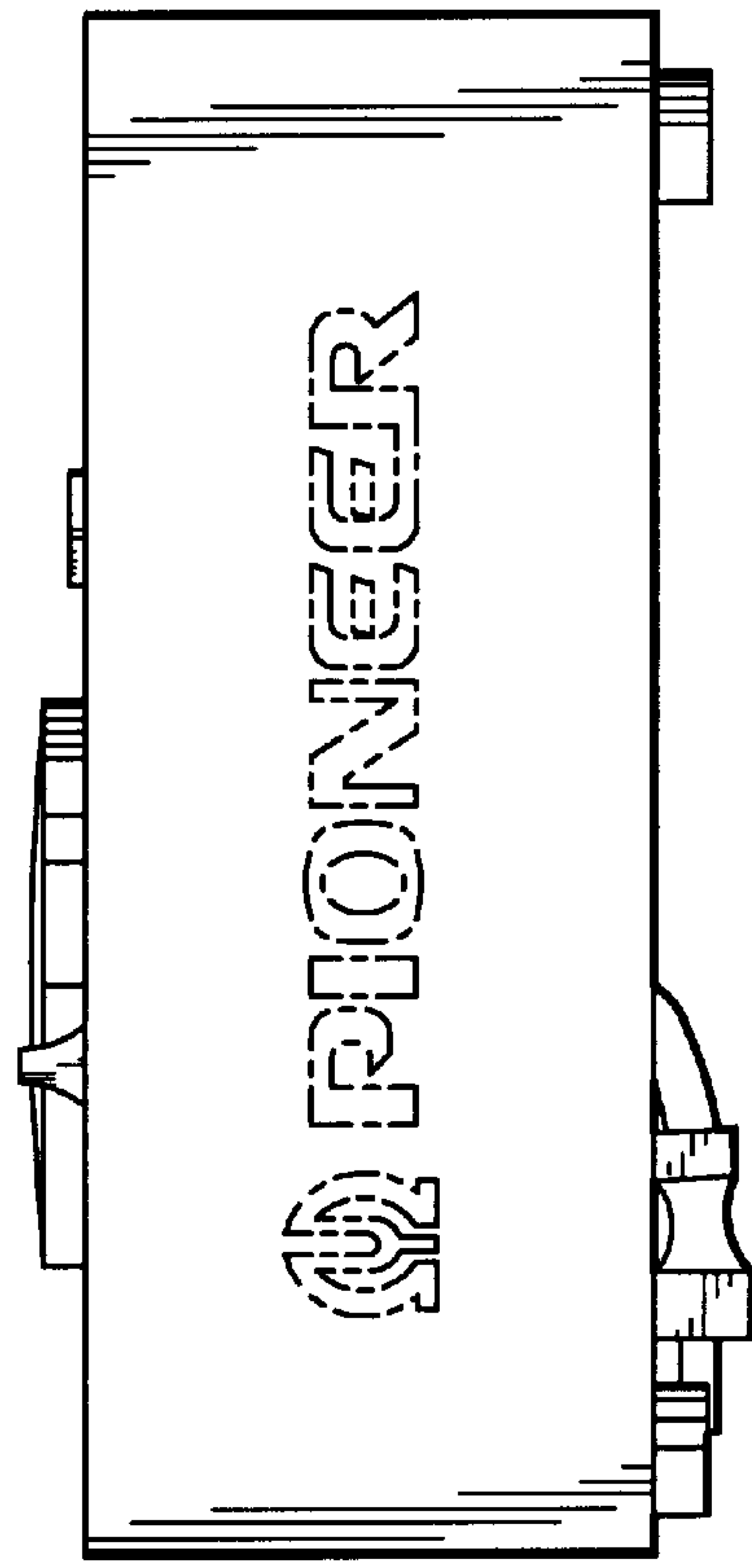


FIG. 3

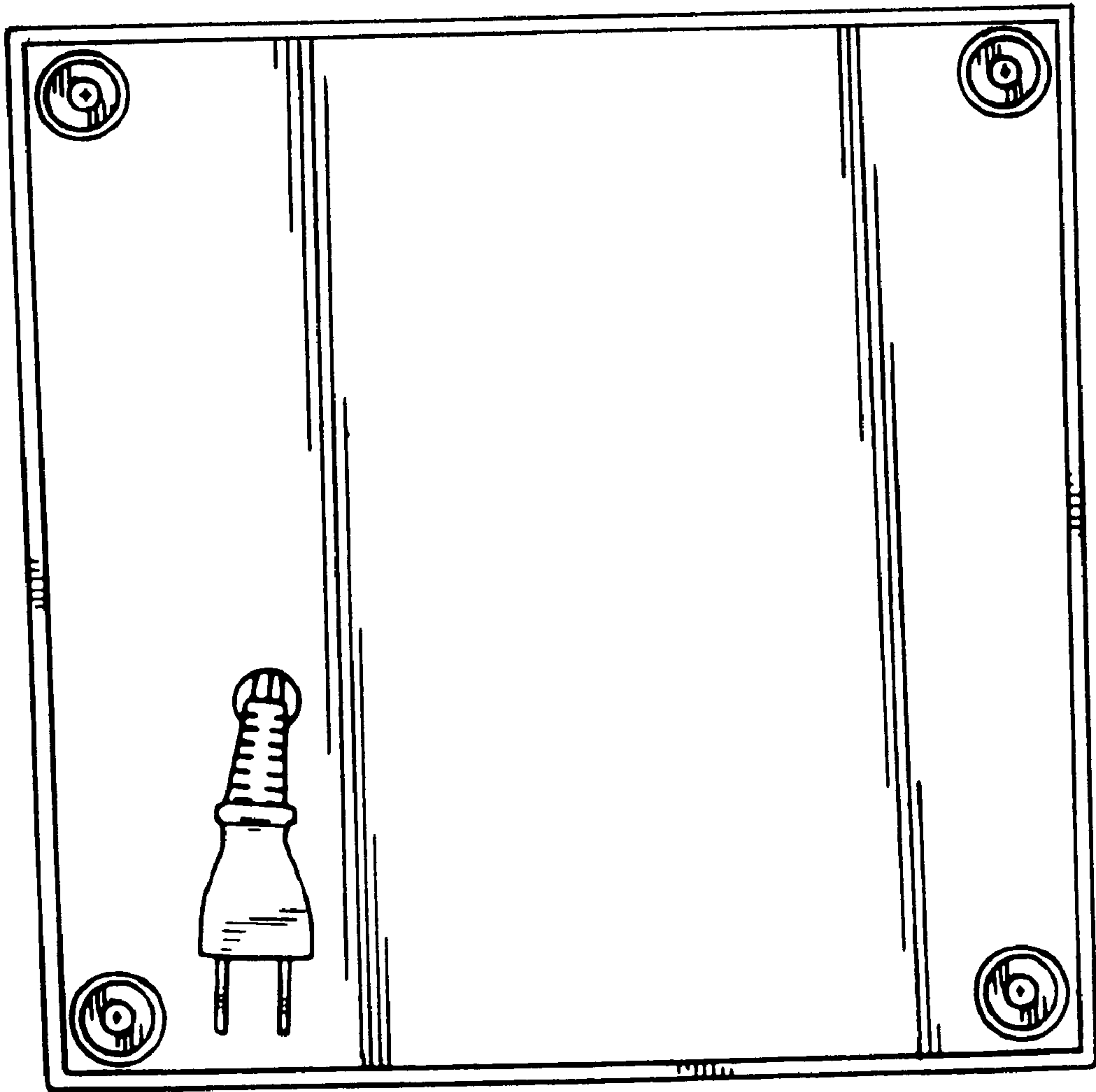


FIG. 4

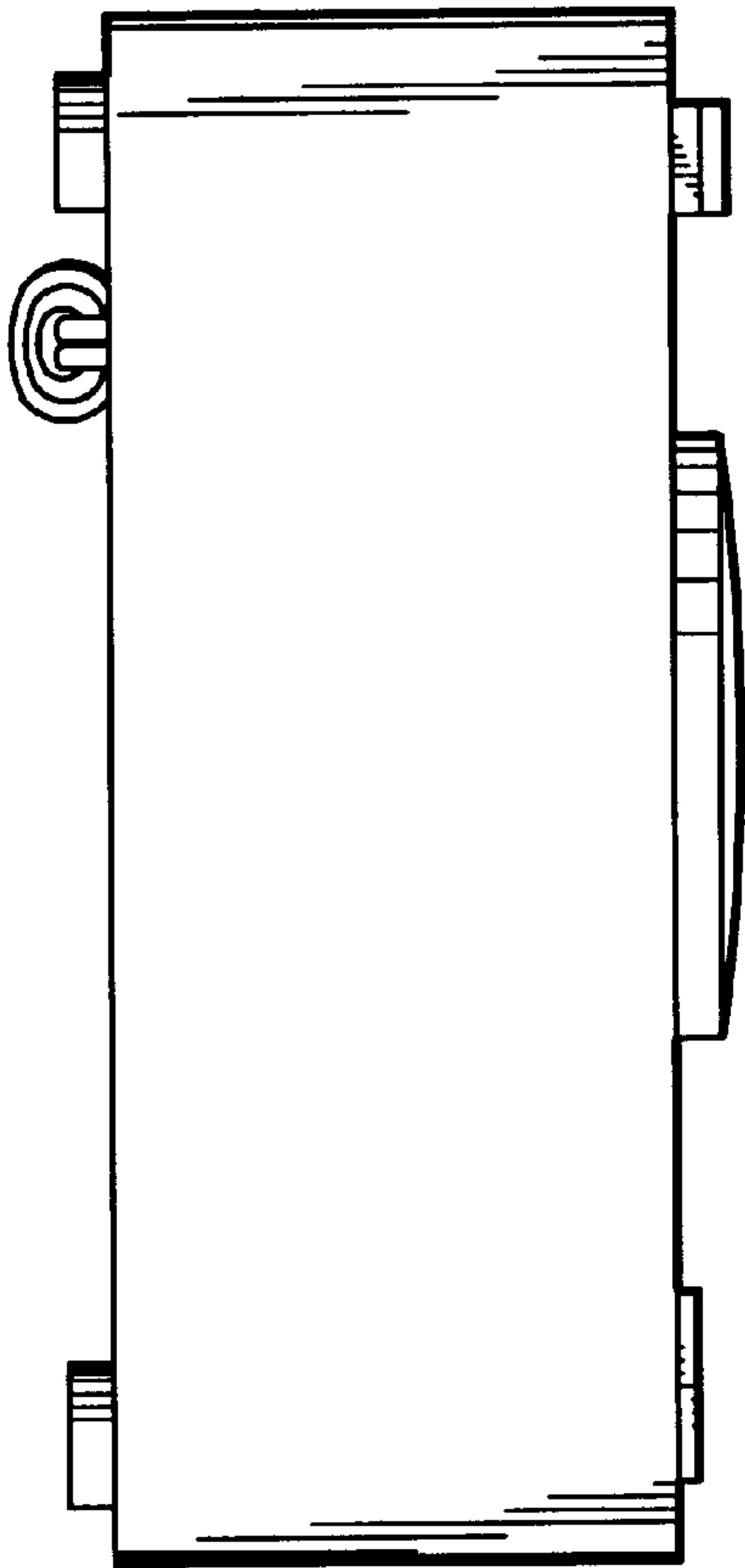


FIG. 5

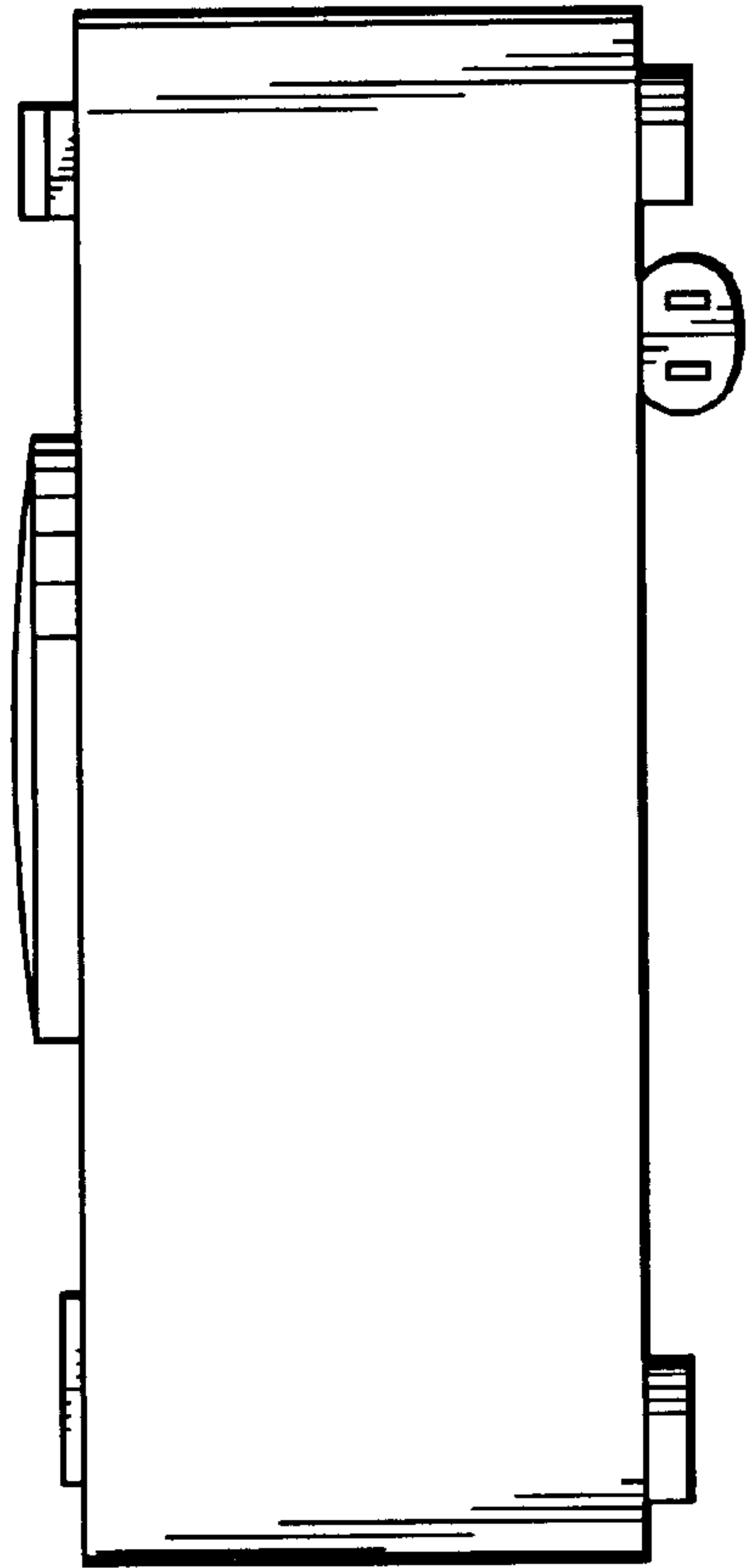


FIG. 6

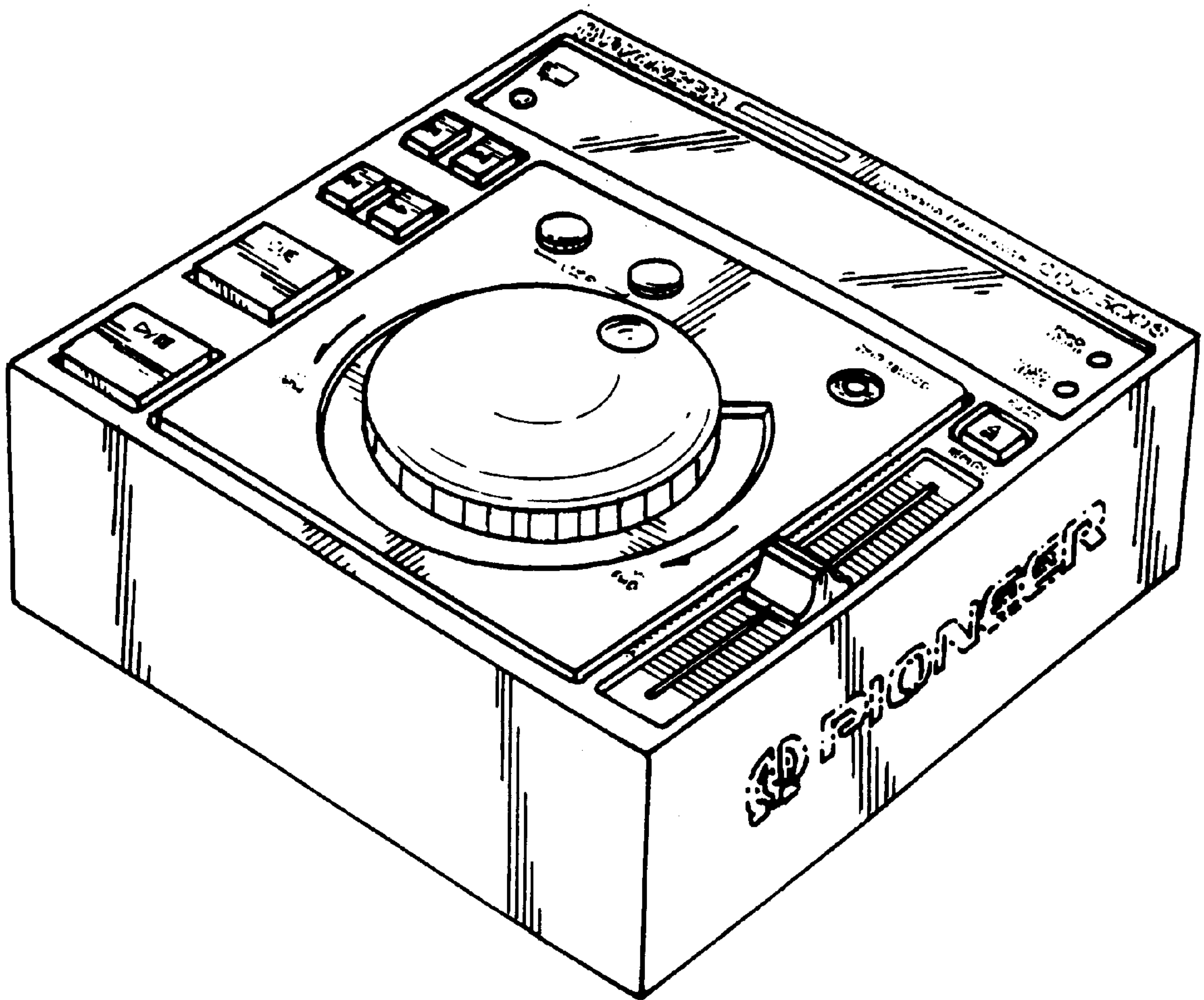


FIG. 7