



US00D417439S

# United States Patent [19]

Ropponen et al.

[11] Patent Number: **Des. 417,439**

[45] Date of Patent: **\*\* Dec. 7, 1999**

[54] ENCLOSURE

5,602,723 2/1997 Takahashi ..... 361/796 X

[75] Inventors: **Matti Ropponen**, Espoo; **Heikki Meriläinen**, Helsinki, both of Finland

### FOREIGN PATENT DOCUMENTS

563600 10/1993 European Pat. Off. .... D13/184 X

[73] Assignee: **Fibox Oy Ab**, Jorvas, Finland

*Primary Examiner*—Cathron B. Matta  
*Attorney, Agent, or Firm*—Finnegan, Henderson, Farabow, Garrett & Dunner, L.L.P.

[\*\*] Term: **14 Years**

[21] Appl. No.: **29/055,166**

### [57] CLAIM

[22] Filed: **May 31, 1996**

The ornamental design for an enclosure, as shown and described.

### [30] Foreign Application Priority Data

Dec. 1, 1995 [KR] Rep. of Korea ..... 95 23359

### DESCRIPTION

[51] LOC (6) Cl. .... **13-99**

FIG. 1 is a perspective front view showing our new design;  
FIG. 2 is a front view thereof;  
FIG. 3 is a right side view thereof;  
FIG. 4 is a rear view thereof;  
FIG. 5 is a left side view thereof;  
FIG. 6 is a top view thereof; and  
FIG. 7 is a bottom view thereof.

[52] U.S. Cl. .... **D13/184**

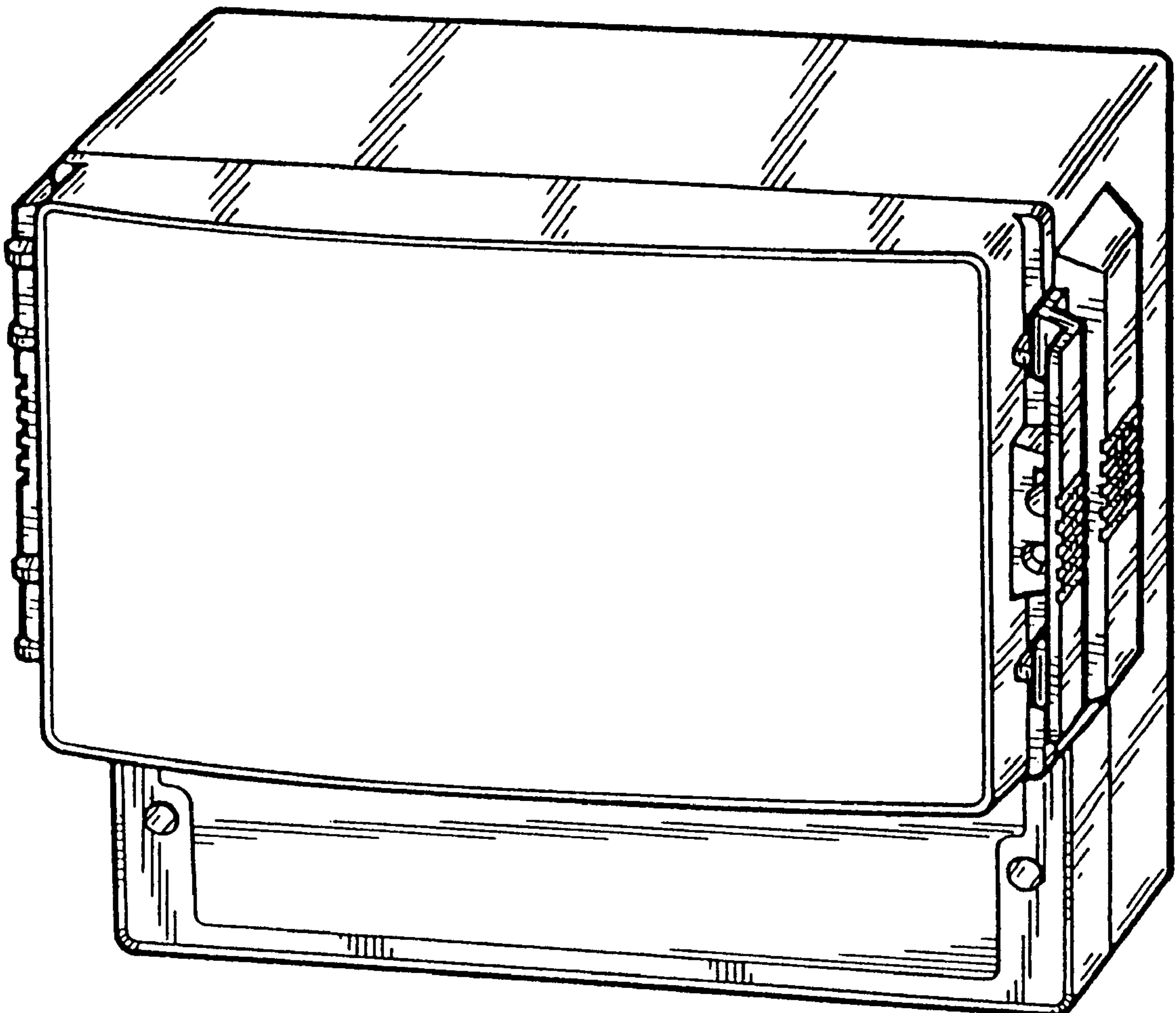
[58] Field of Search ..... D13/152, 184;  
D14/100, 102; D10/80, 103, 125; 361/679,  
821; 439/61, 65; 174/48-52.1; 220/3.2-3.9

### [56] References Cited

#### U.S. PATENT DOCUMENTS

D. 351,138 10/1994 Shimizu et al. .... D13/152

**1 Claim, 2 Drawing Sheets**



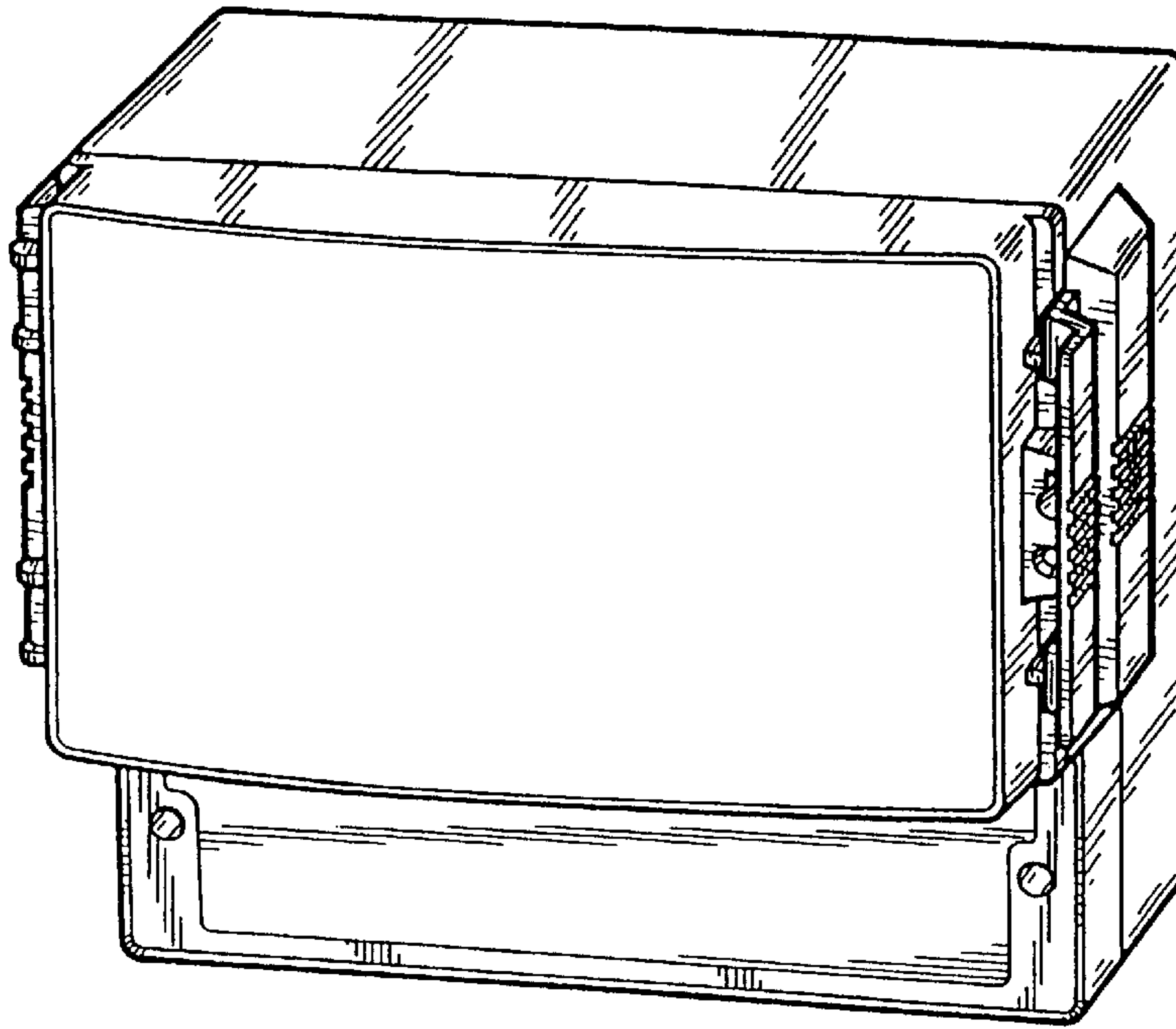


FIG. 1

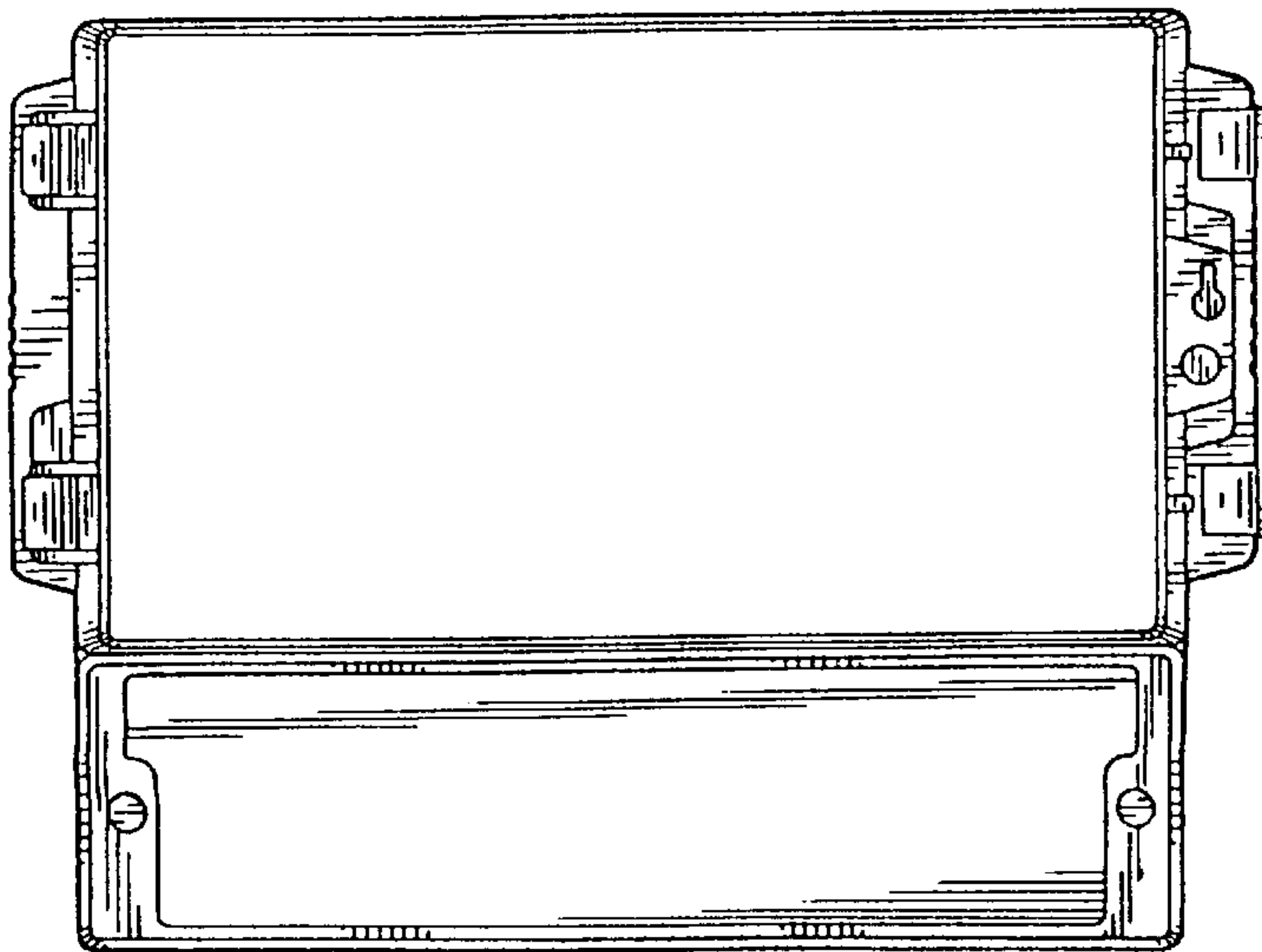


FIG. 2

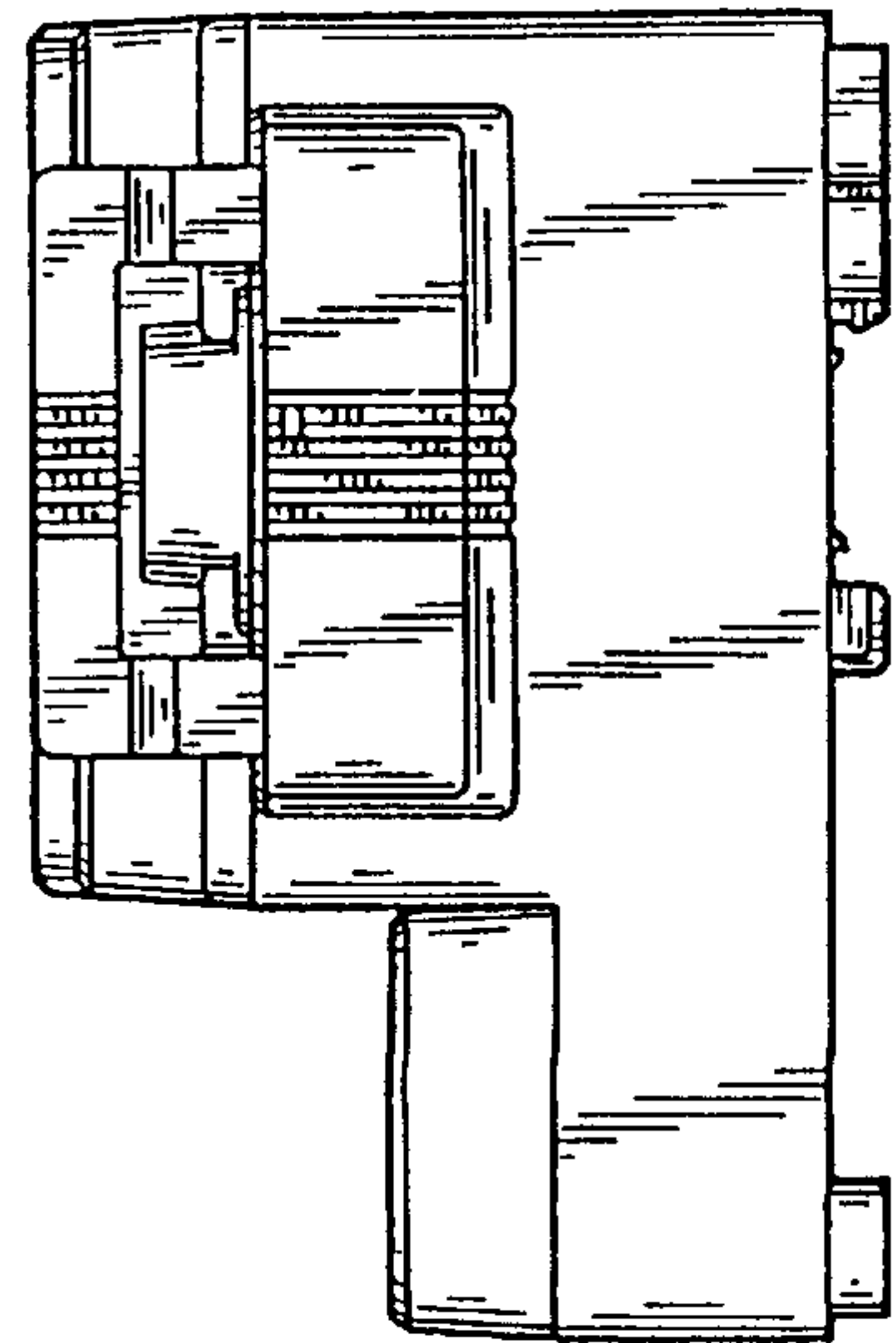


FIG. 3

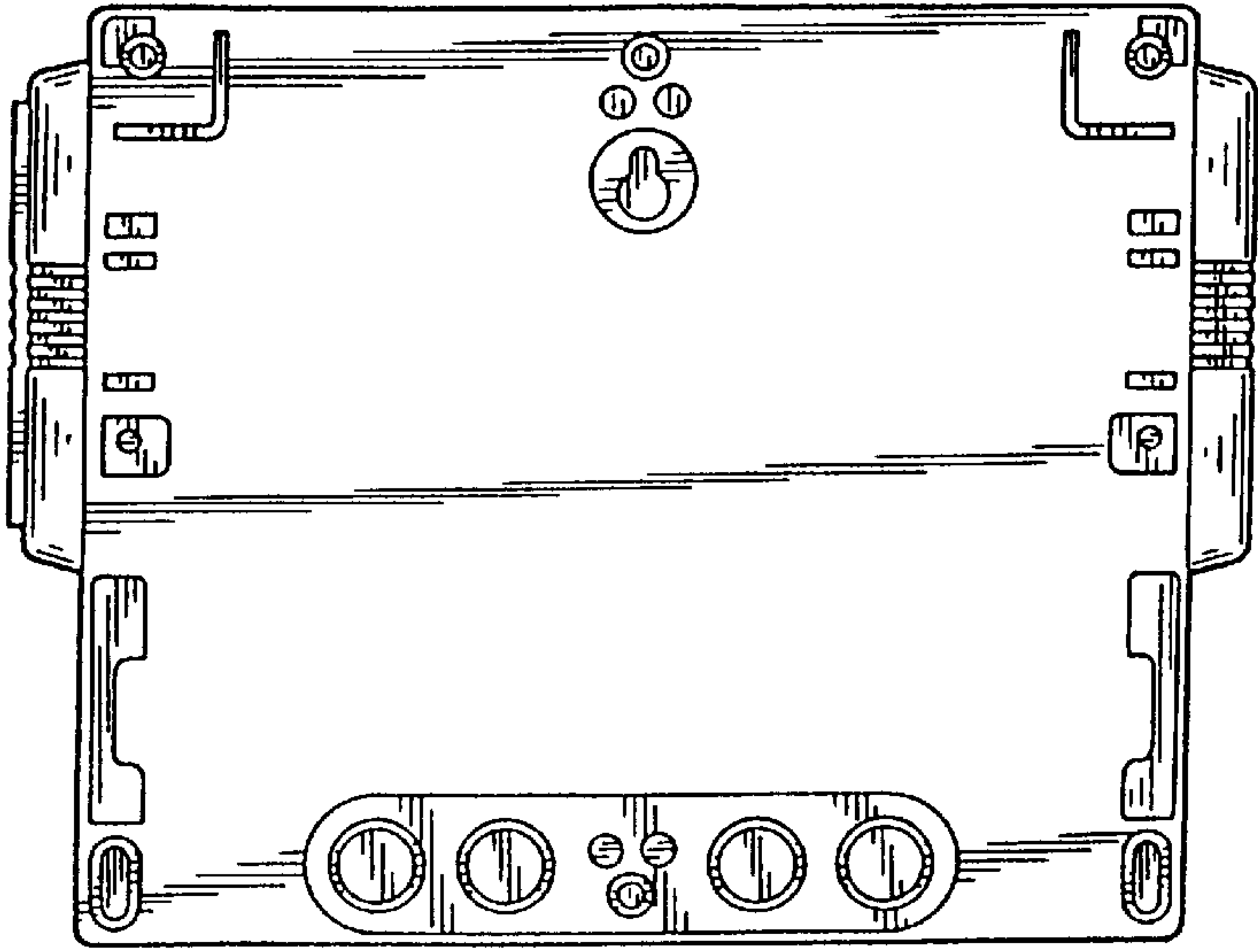


FIG. 4

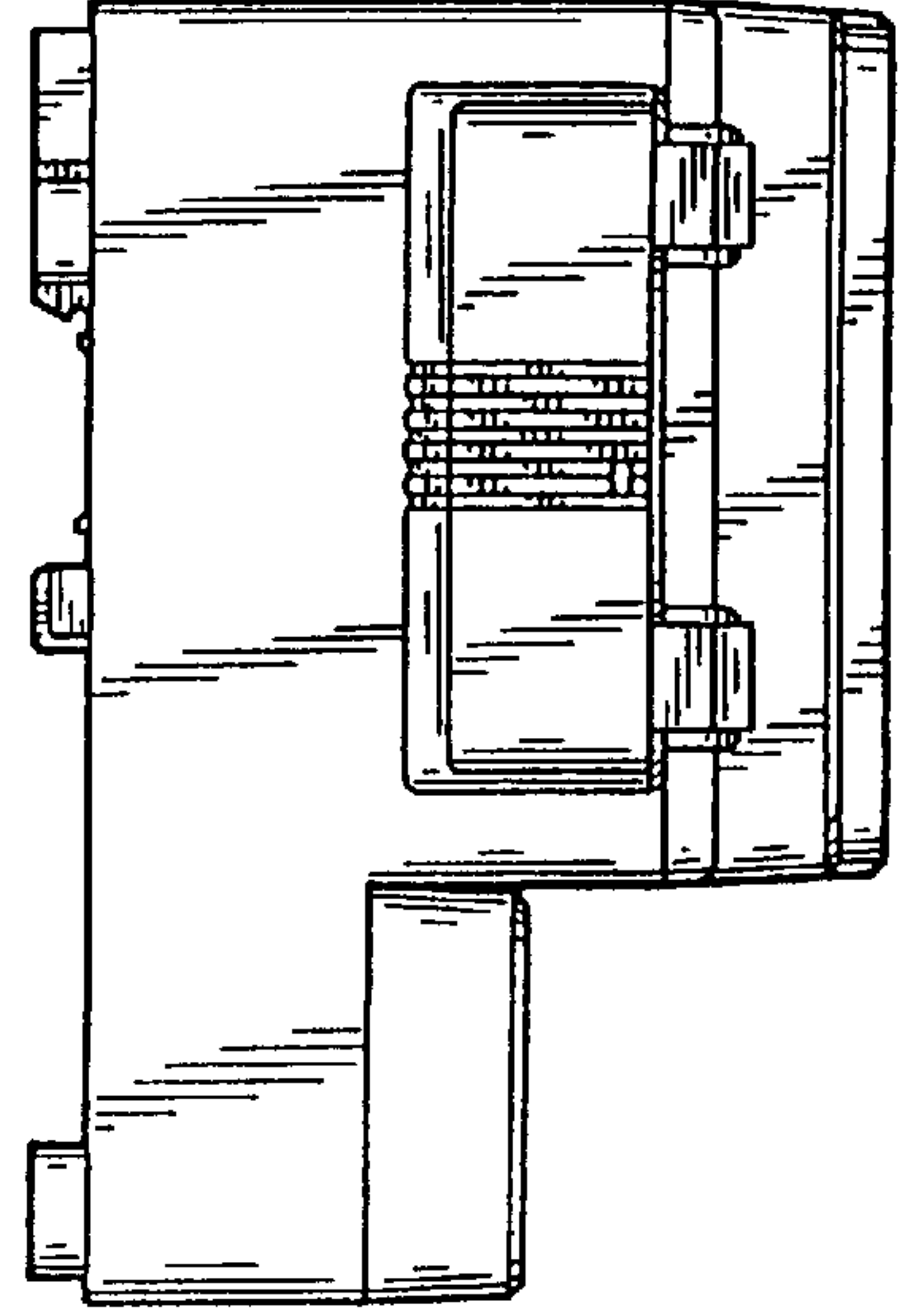


FIG. 5

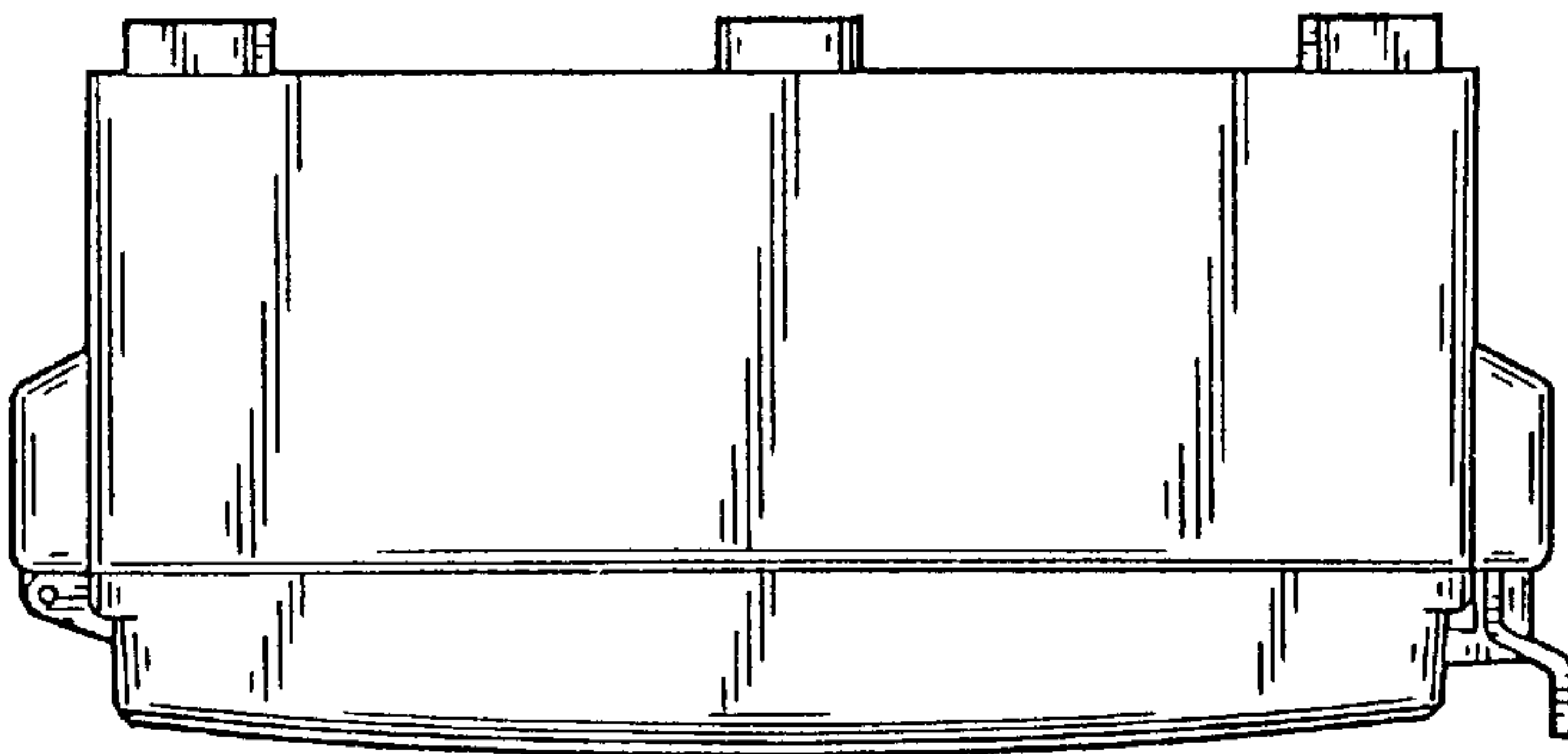


FIG. 6

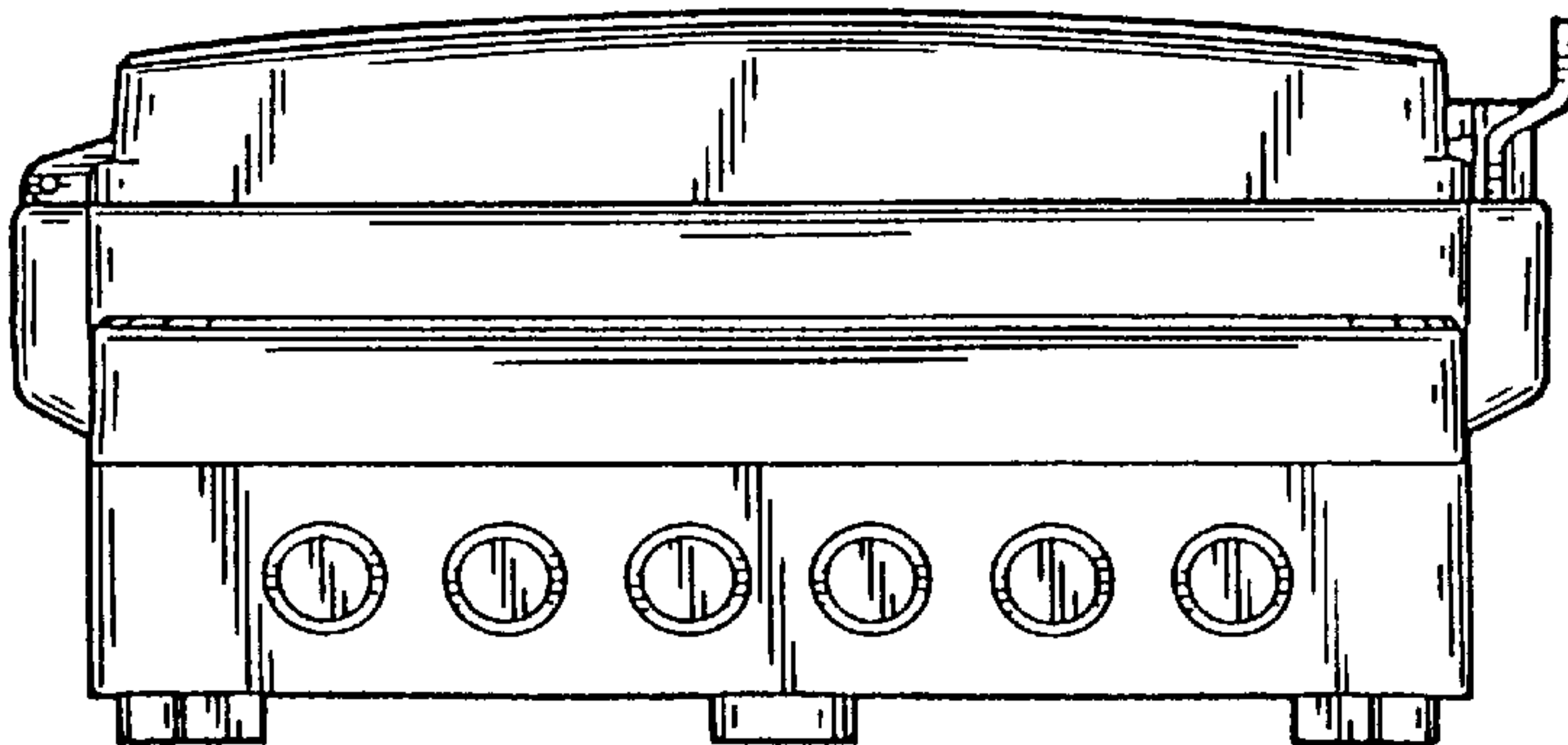


FIG. 7