



US00D417435S

United States Patent [19]

Lin et al.

[11] Patent Number: **Des. 417,435**

[45] Date of Patent: **** Dec. 7, 1999**

[54] **ELECTRICAL CONNECTOR**
[75] Inventors: **Yuan-Chieh Lin**, Lake Forest; **Wayne Huang**, Alhambra, both of Calif.

4,861,276 8/1989 Muller et al. 439/365
5,108,294 4/1992 Marsh et al. 439/76.1
5,158,474 10/1992 Frantz 439/362
5,342,216 8/1994 Davis et al. 439/362
5,829,991 11/1998 Murphy et al. 439/98

[73] Assignee: **Hon Hai Precision Ind. Co., Ltd.**,
Taipei Hsien, Taiwan

Primary Examiner—Joel Sincavage
Attorney, Agent, or Firm—Wei Te Chung

[**] Term: **14 Years**

[57] **CLAIM**

[21] Appl. No.: **29/100,187**

The ornamental design for an electrical connector, as shown and described.

[22] Filed: **Feb. 4, 1999**

DESCRIPTION

[51] **LOC (6) Cl.** **13-03**
[52] **U.S. Cl.** **D13/147**
[58] **Field of Search** D13/146, 147,
D13/154; 439/362, 636, 610, 607, 608,
365

FIG. 1 is a front-right-top perspective view of an electrical connector showing my new design;
FIG. 2 is a front elevational view thereof;
FIG. 3 is a rear elevational view thereof;
FIG. 4 is a left side elevational view thereof;
FIG. 5 is a right side elevational view thereof; and,
FIG. 6 is a top plan view thereof.

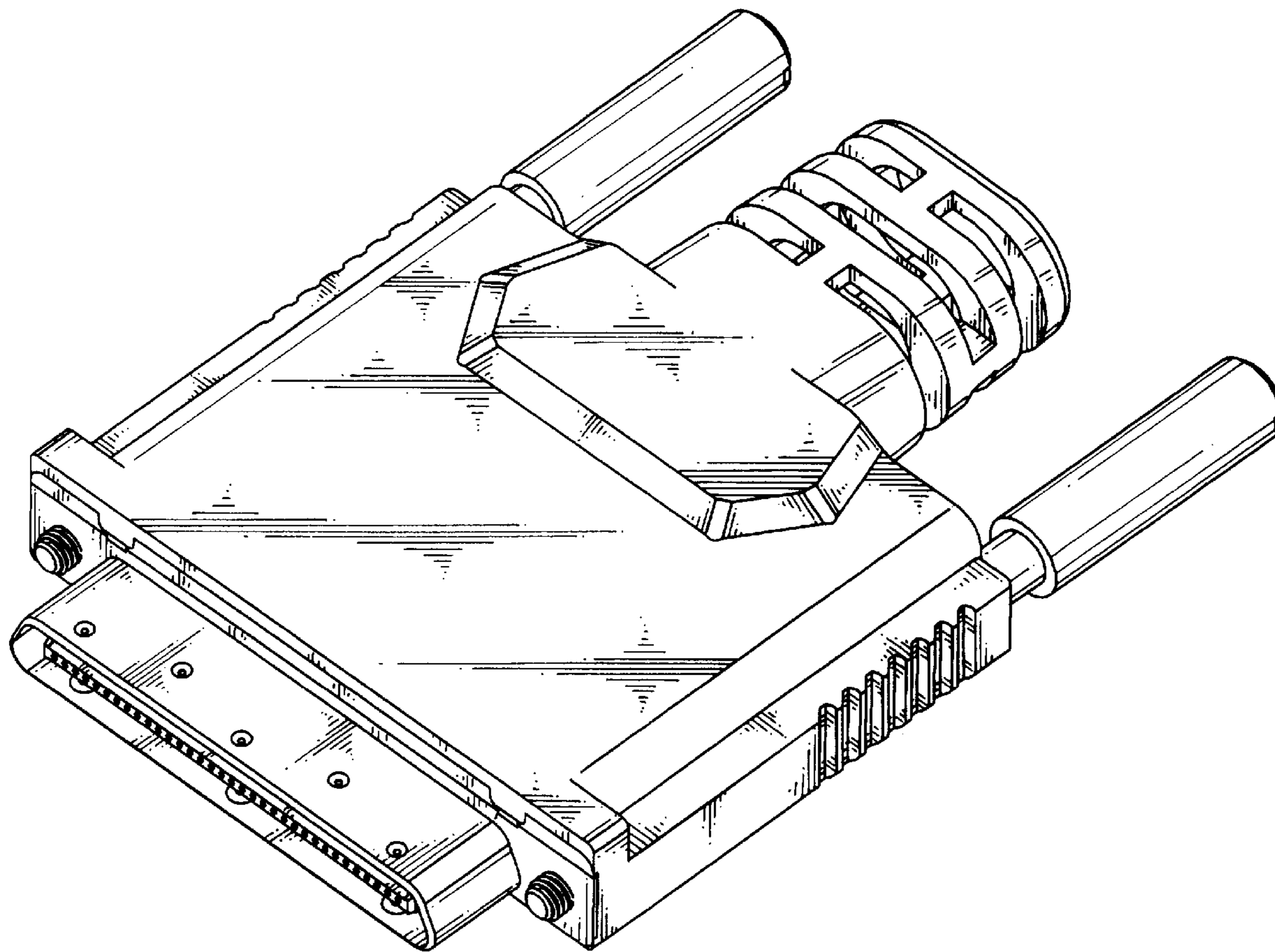
[56] **References Cited**

U.S. PATENT DOCUMENTS

D. 401,905 12/1998 Sato D13/147
D. 406,819 3/1999 Taguchi D13/154
4,577,919 3/1986 Waters 439/597

The connector as seen from the bottom forms no part of the claimed design.

1 Claim, 4 Drawing Sheets



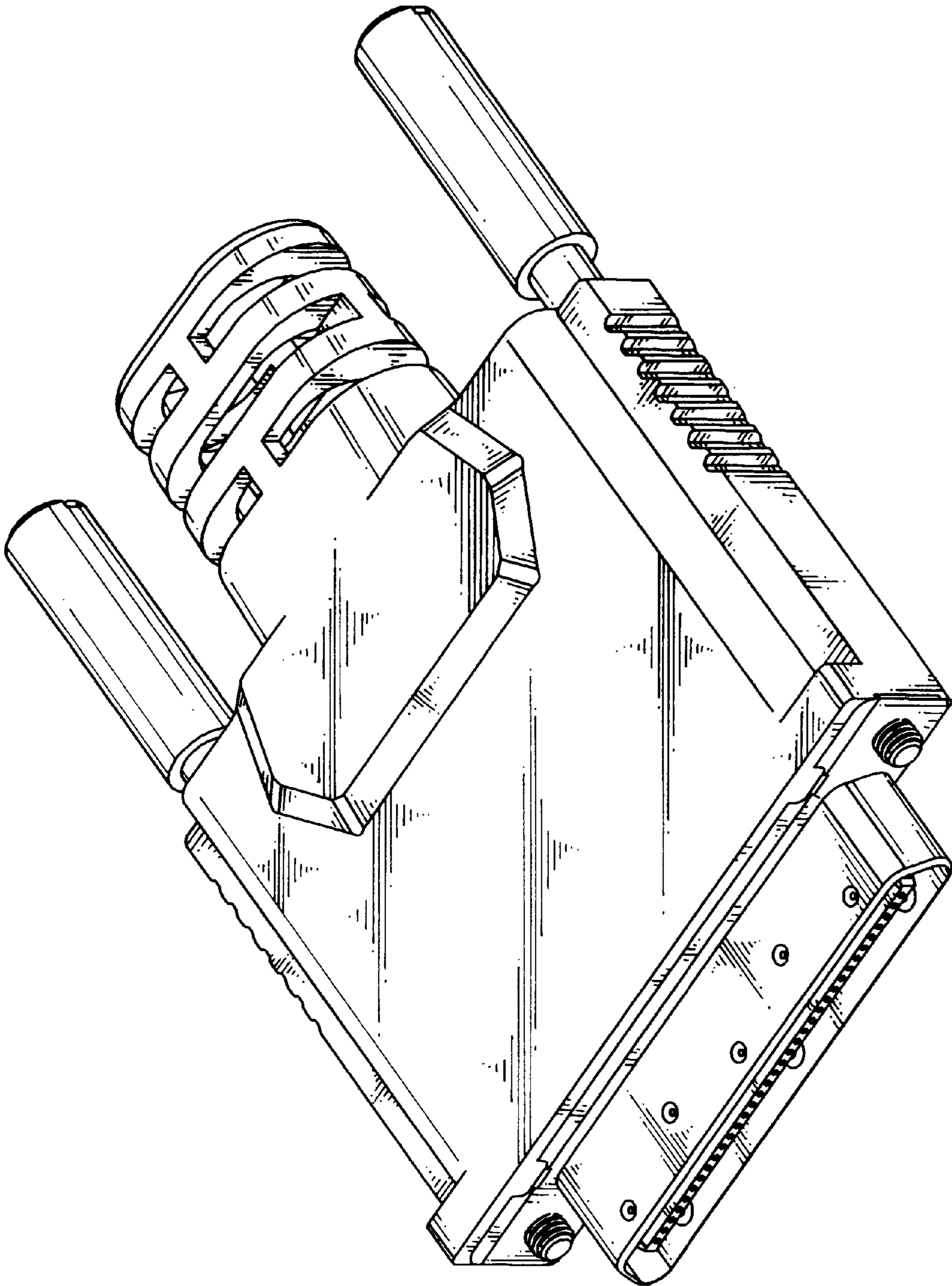


FIG. 1

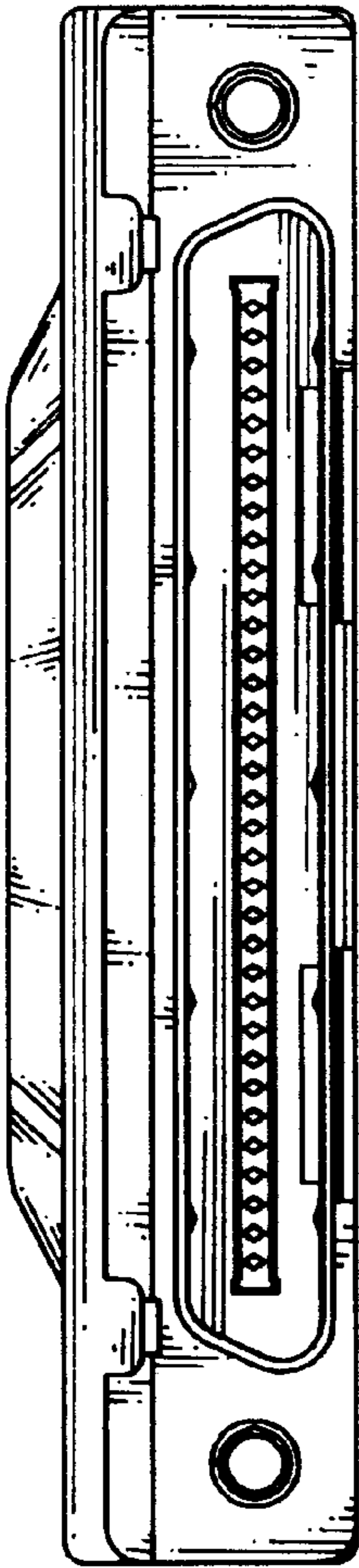


FIG. 2

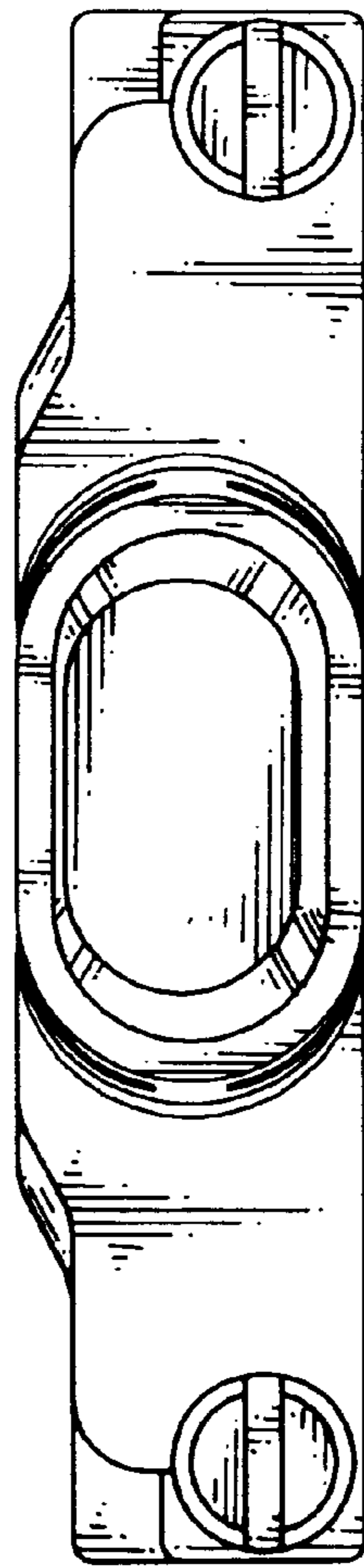


FIG. 3

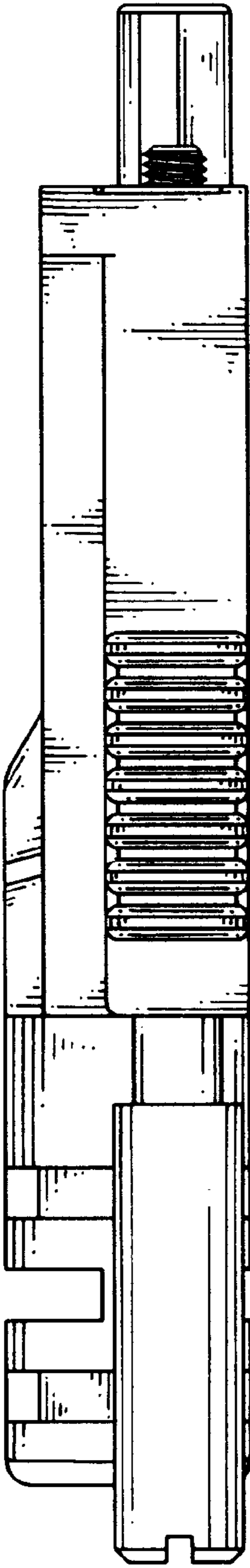


FIG. 4

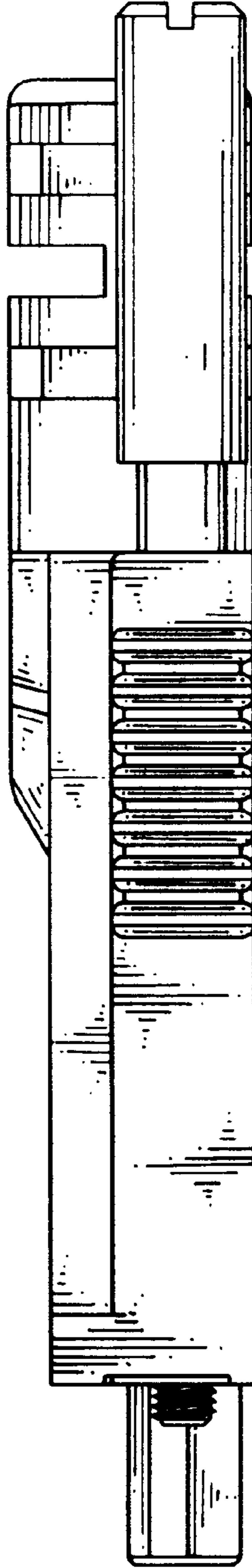


FIG. 5

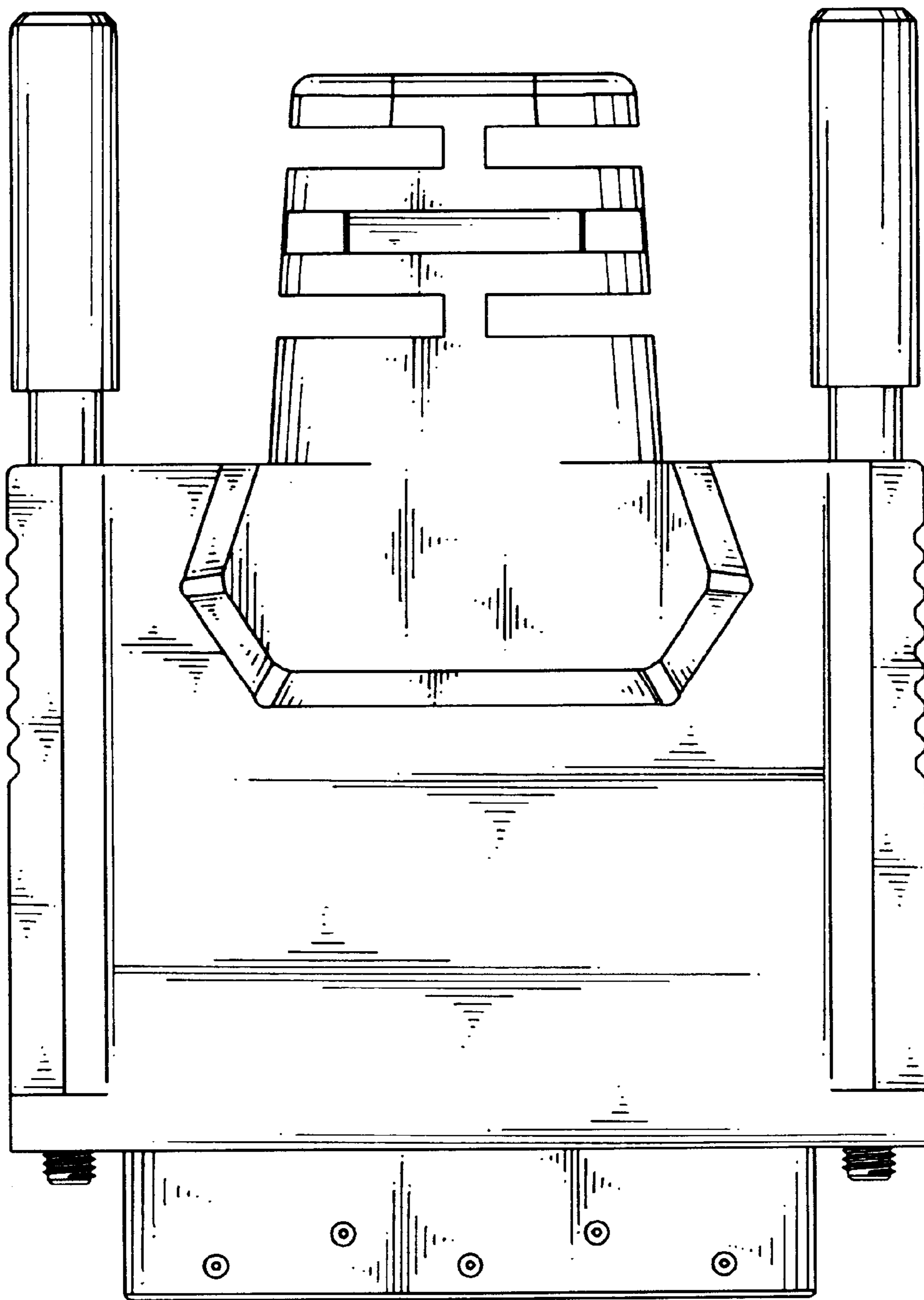


FIG. 6