



US00D417432S

# United States Patent [19]

[11] **Patent Number: Des. 417,432**

**Baker et al.**

[45] **Date of Patent: \*\* Dec. 7, 1999**

[54] **HOUSING FOR ELECTRICAL CONNECTORS**

5,676,566 10/1997 Carlson, Jr. et al. .... 439/638

[75] Inventors: **William P. Baker**, Salt Lake City; **Douglas S. Reynolds**, Clinton; **Richard F. Leavitt**, Layton; **Erich Michael Flynn**, Ogden, all of Utah; **Edward Maurice Domengeaux**, Los Gatos, Calif.; **Jonathon Guerra**; **William P. Wear**, both of San Francisco, Calif.

*Primary Examiner*—Joe Sincavage  
*Attorney, Agent, or Firm*—Woodcock Washburn Kurtz Mackiewicz & Norris LLP

[57] **CLAIM**

An ornamental design for a housing for electrical connectors, as shown and described.

**DESCRIPTION**

[73] Assignee: **Iomega Corporation**, Roy, Utah

FIG. 1 is a top perspective view of the housing;  
FIG. 2 is a rear elevation view of the embodiment shown in FIG. 1;  
FIG. 3 is a top plan view of the embodiment shown in FIG. 1;  
FIG. 4 is a bottom plan view of the embodiment shown in FIG. 1;  
FIG. 5 is a side elevation view of FIG. 1;  
FIG. 6 is an other side elevation of FIG. 1; and,  
FIG. 7 is a front elevation of FIG. 1.

[\*\*] Term: **14 Years**

[21] Appl. No.: **29/072,359**

[22] Filed: **Jun. 16, 1997**

[51] **LOC (6) Cl.** ..... **13-03**

[52] **U.S. Cl.** ..... **D13/147**

[58] **Field of Search** ..... D13/146, 147;  
439/638, 639

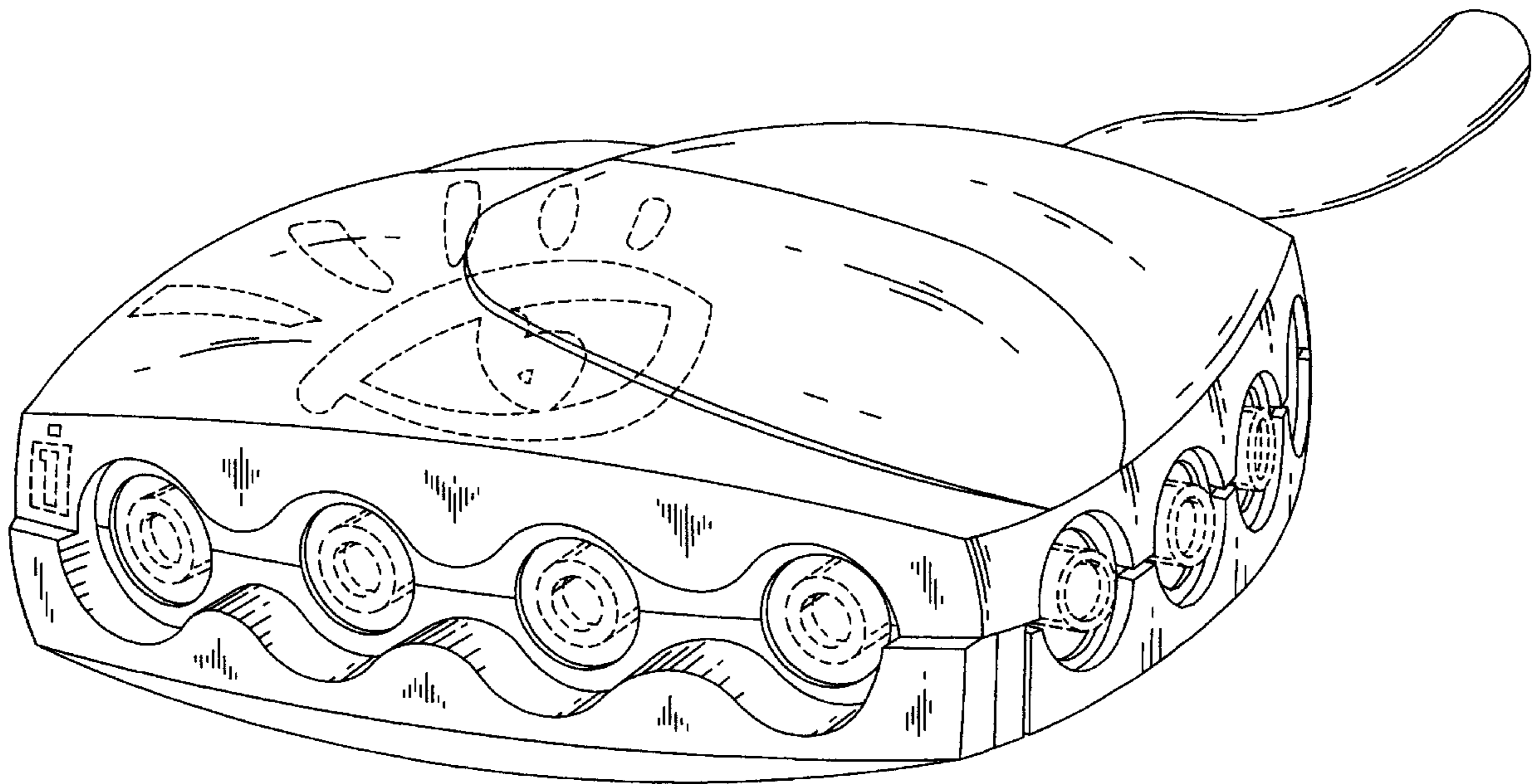
The broken lines are shown in the views for illustrative purposes only and form no part of the claimed design;

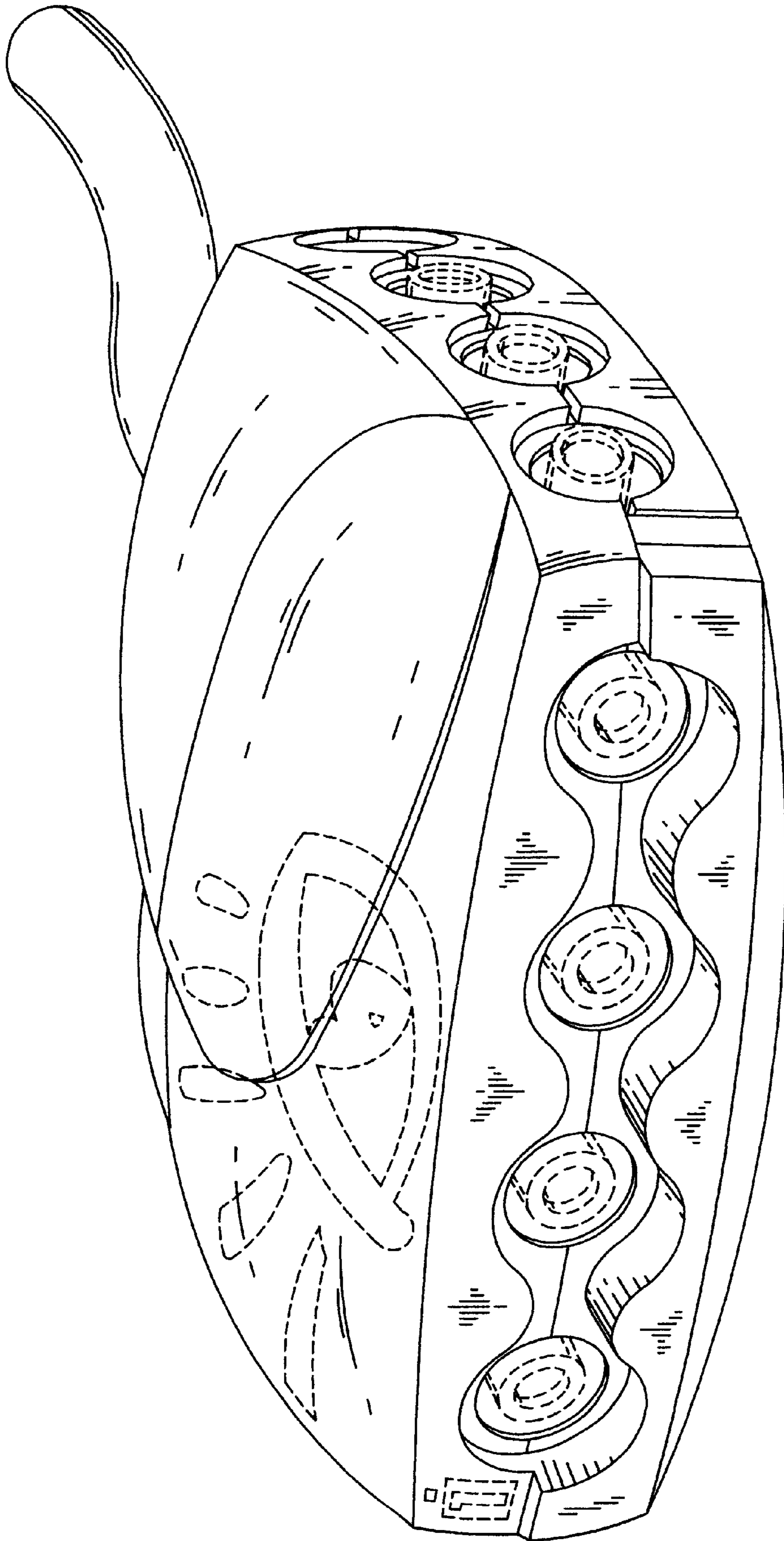
[56] **References Cited**

**U.S. PATENT DOCUMENTS**

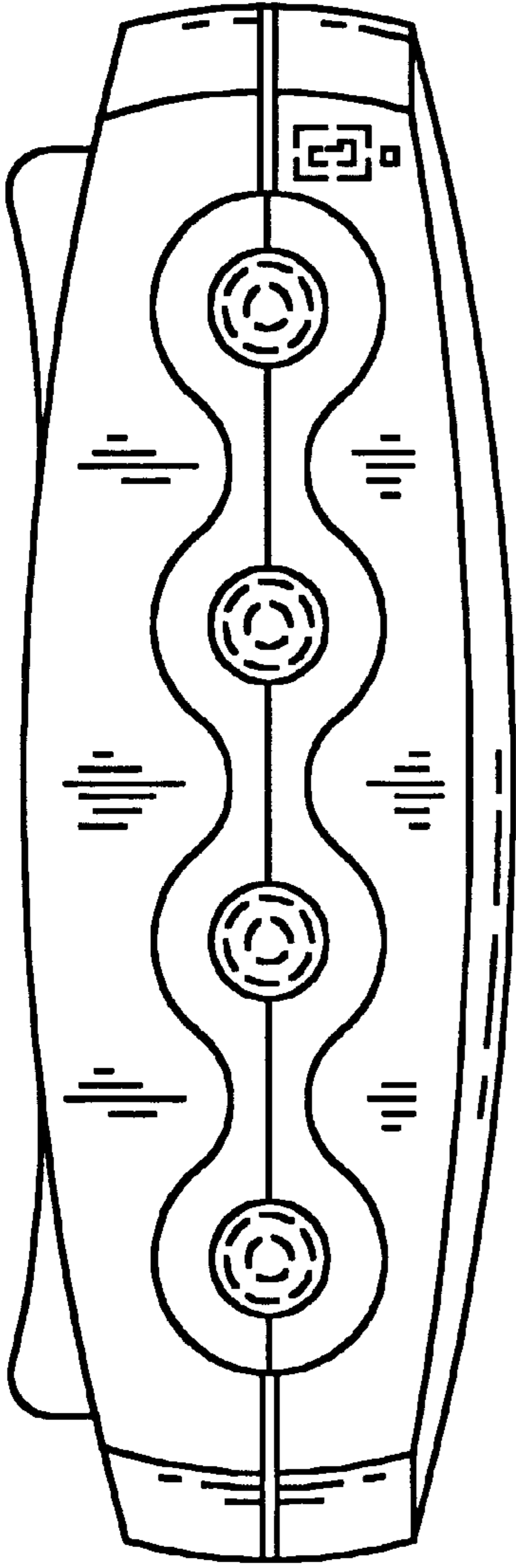
5,406,450 4/1995 Shieh ..... 439/638

**1 Claim, 4 Drawing Sheets**

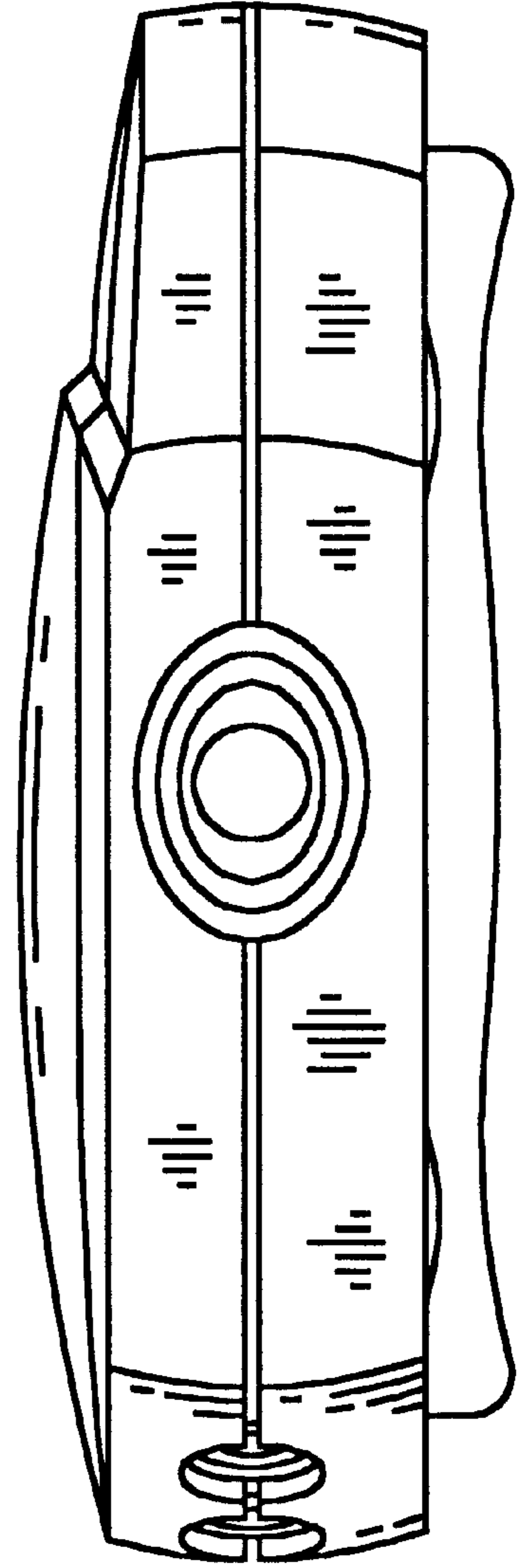




*Fig. 1*

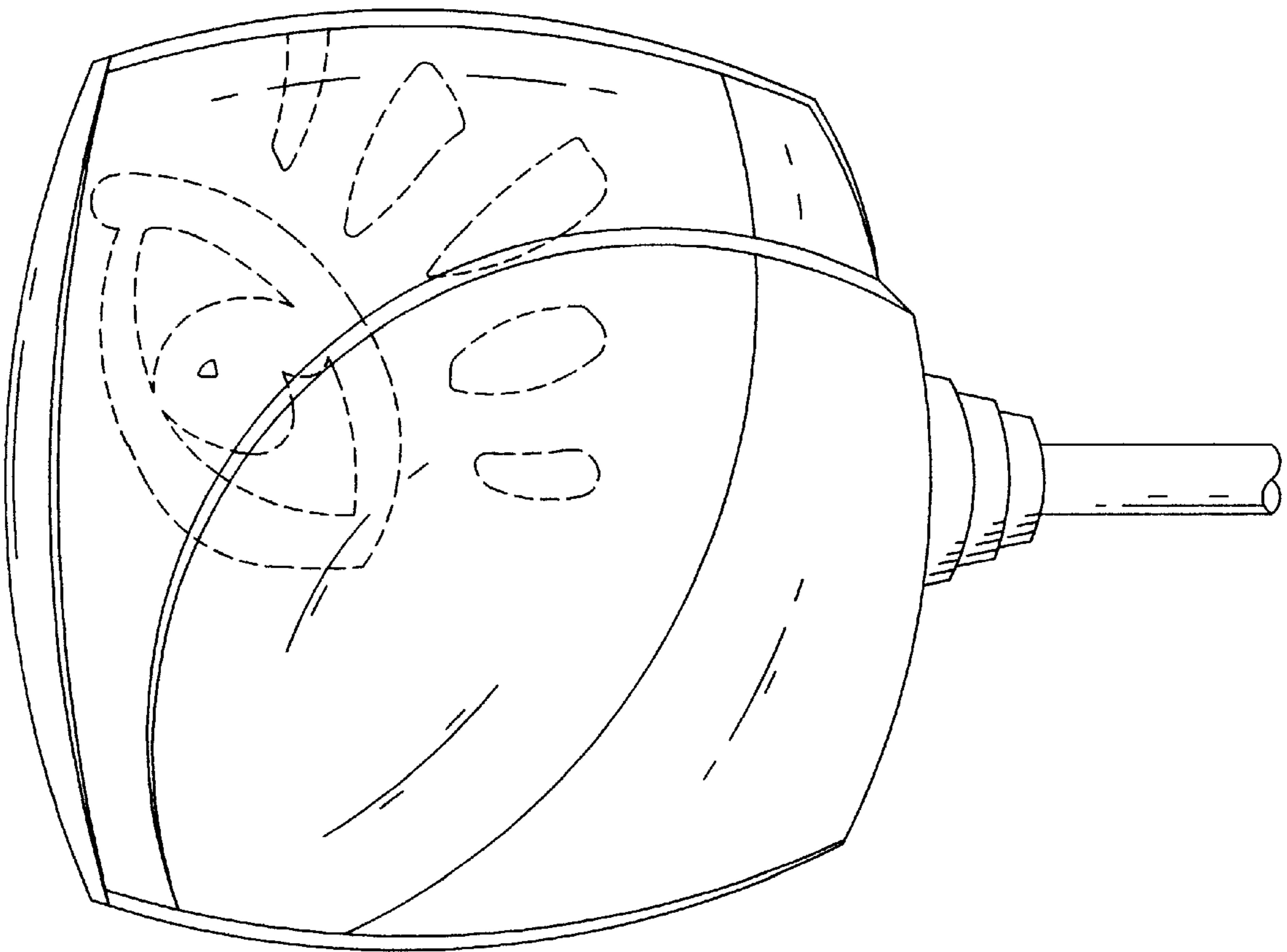
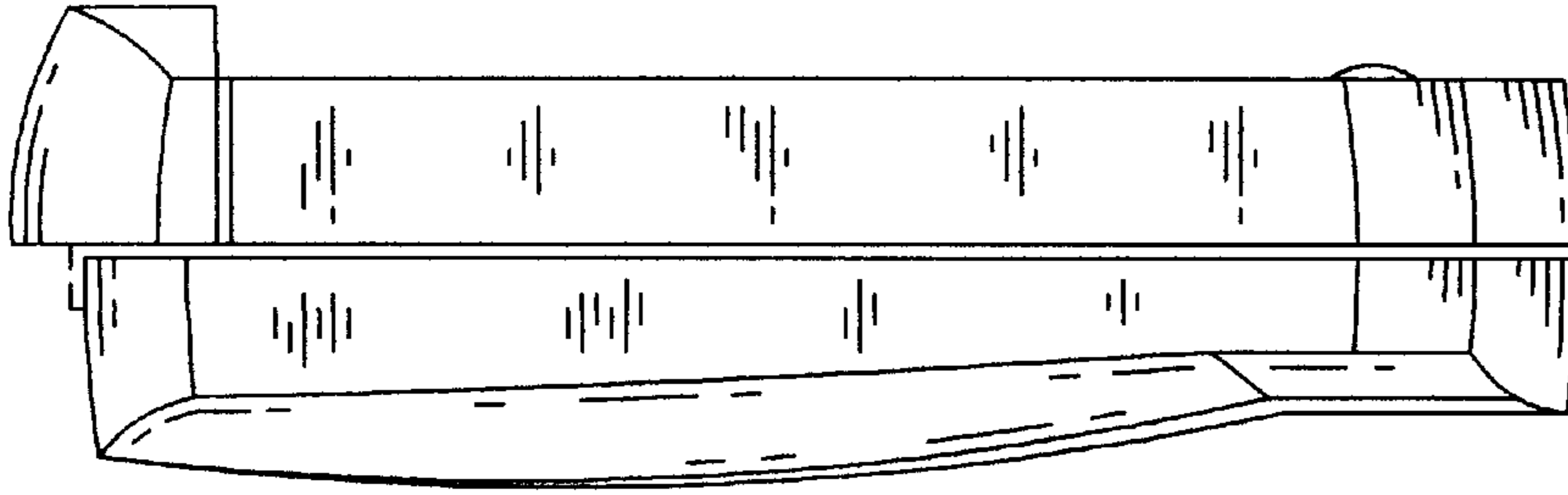


*Fig. 7*



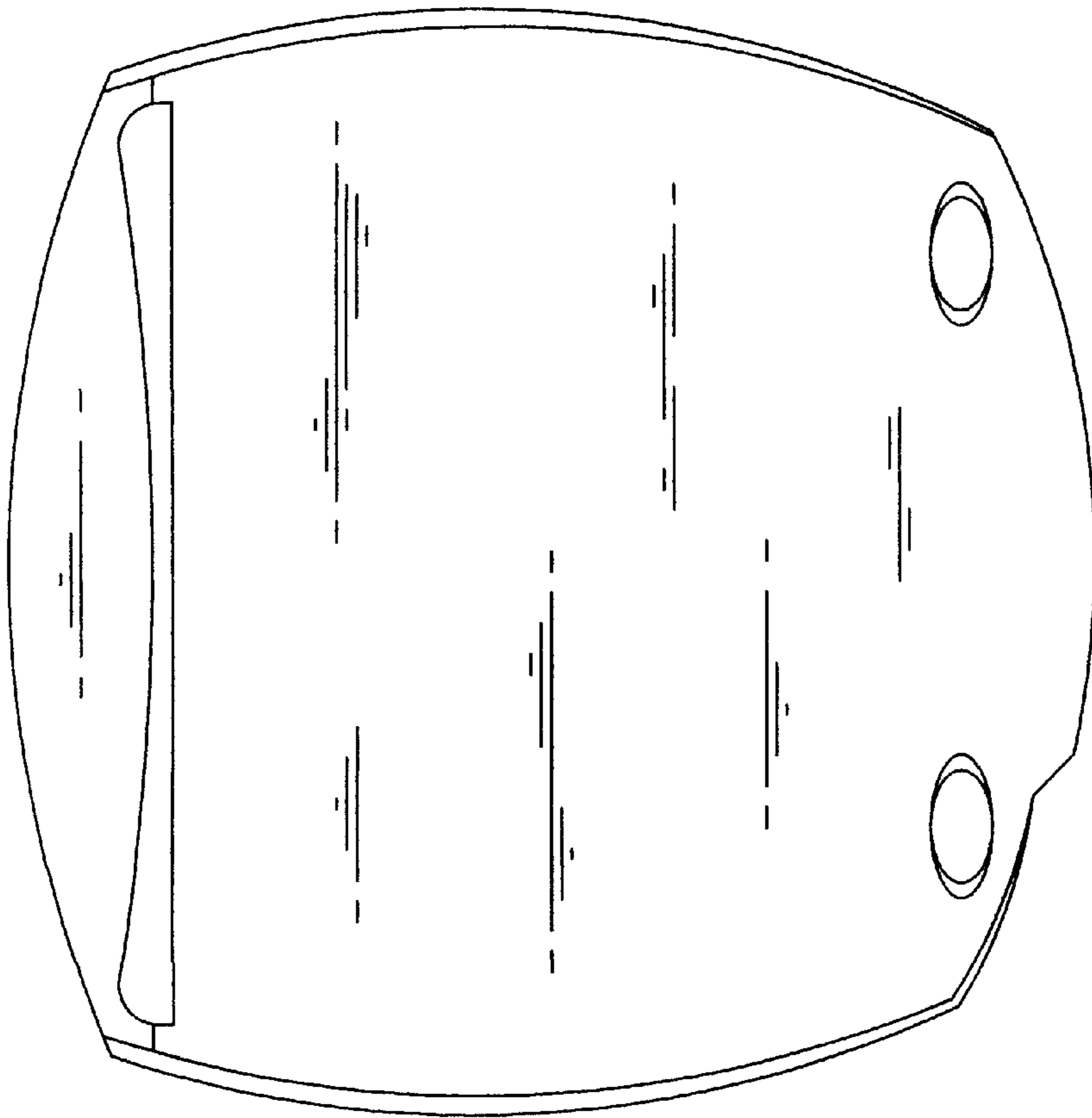
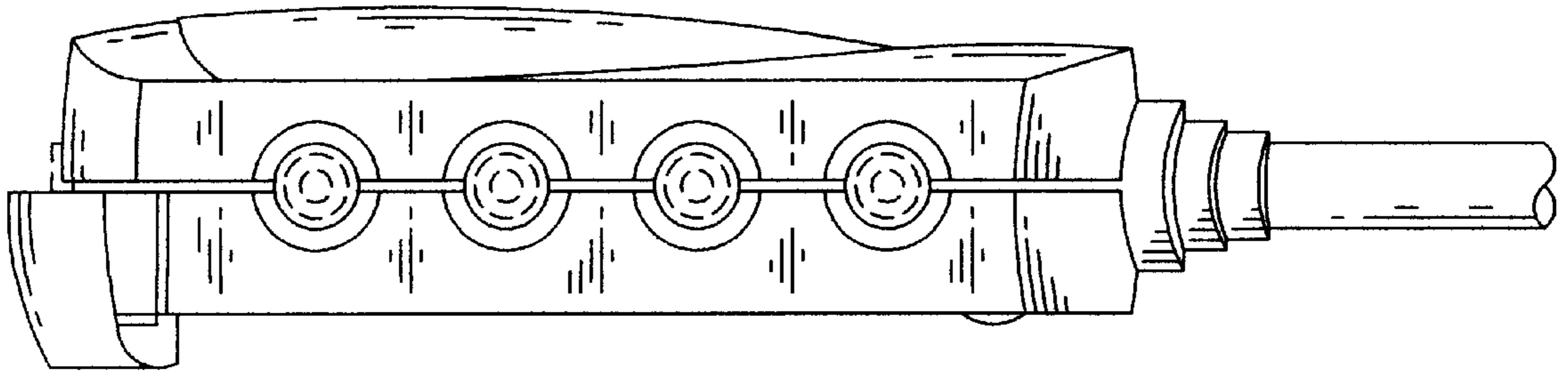
*Fig. 2*

*Fig. 5*



*Fig. 3*

*Fig. 6*



*Fig. 4*