



US00D417431S

United States Patent [19]

Okura et al.

[11] Patent Number: **Des. 417,431**

[45] Date of Patent: **** Dec. 7, 1999**

[54] **CONTACTLESS CHARGER**

[75] Inventors: **Hideki Okura; Hisataka Seko**, both of
Mie, Japan

[73] Assignee: **Matsushita Electric Industrial Co.,
Ltd.**, Japan

[**] Term: **14 Years**

[21] Appl. No.: **29/102,629**

[22] Filed: **Mar. 29, 1999**

[30] **Foreign Application Priority Data**

Oct. 9, 1998 [JP] Japan 10-29249

[51] **LOC (6) Cl.** **13-02**

[52] **U.S. Cl.** **D13/108**

[58] **Field of Search** D13/107, 108;
D14/149, 251; 320/107, 110-115

[56] **References Cited**

U.S. PATENT DOCUMENTS

D. 274,903 7/1984 Eckmann et al. D13/107
D. 399,244 10/1998 Coveley D13/107 X

D. 400,499 11/1998 Bunyea D13/107
D. 409,563 5/1999 Haase et al. D13/107
5,686,810 11/1997 Yasui 320/113
5,903,133 5/1999 Amero, Jr. et al. 320/107

FOREIGN PATENT DOCUMENTS

931276 8/1995 Japan .
976160 3/1997 Japan .

Primary Examiner—Joel Sincavage
Attorney, Agent, or Firm—Saidman DesignLaw Group

[57] **CLAIM**

The ornamental design for a contactless charger, as shown and described.

DESCRIPTION

FIG. 1 is a perspective view of the top, front and right side of a contactless charger showing our new design;
FIG. 2 is a front view thereof;
FIG. 3 is a top plan view thereof;
FIG. 4 is a right side view thereof;
FIG. 5 is a rear view thereof; and,
FIG. 6 is a bottom view thereof.

1 Claim, 3 Drawing Sheets

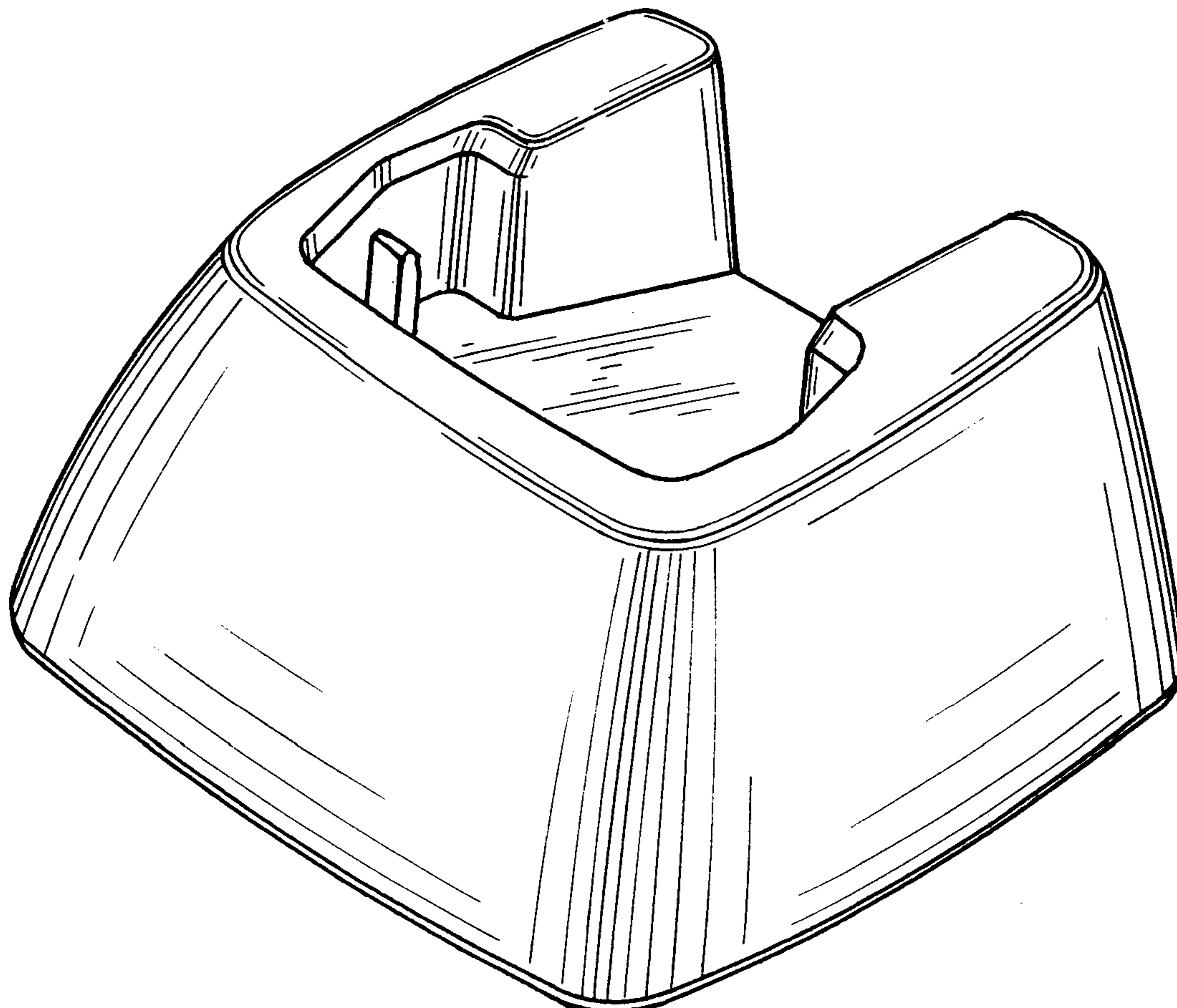


FIG. 1

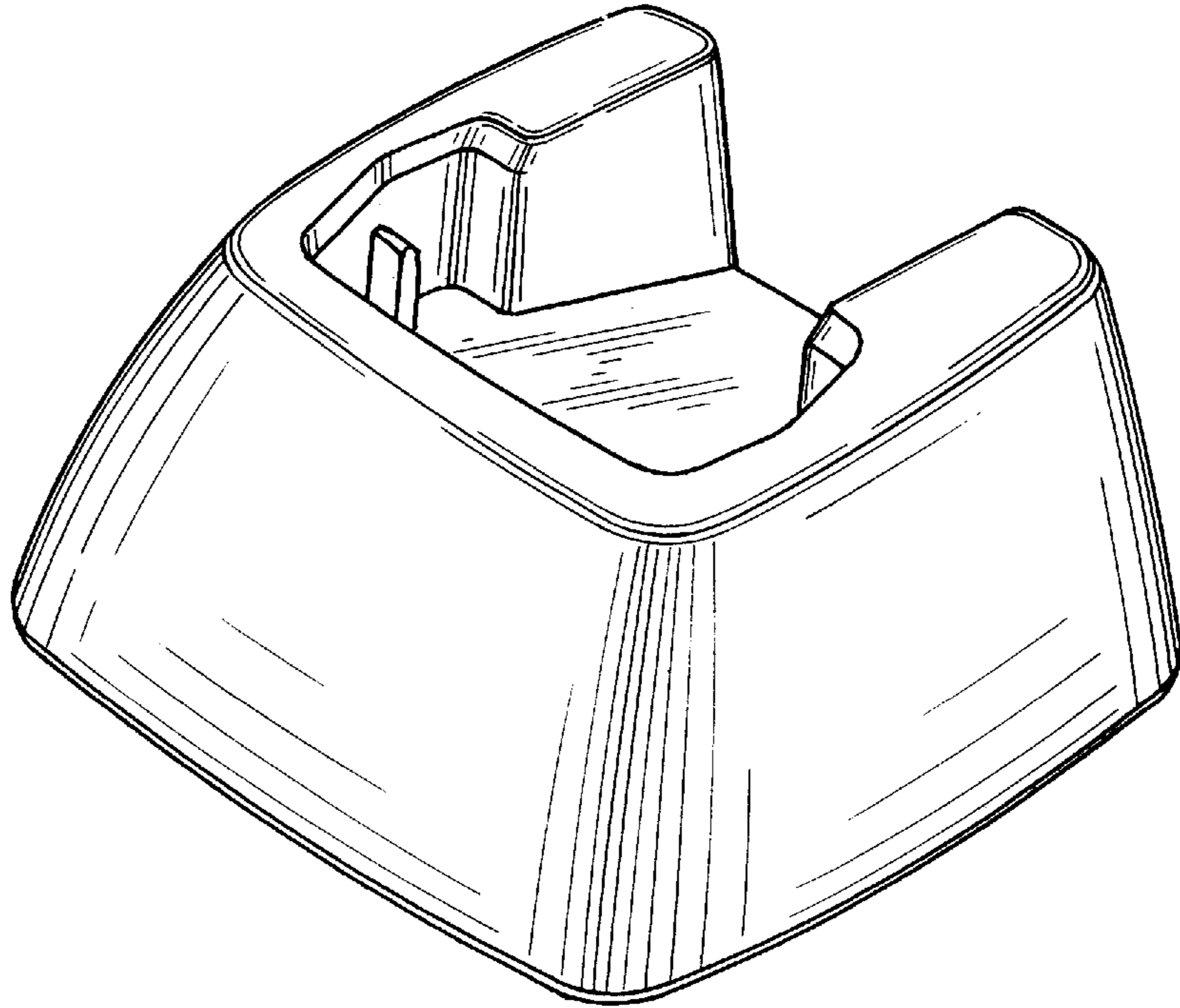


FIG. 2

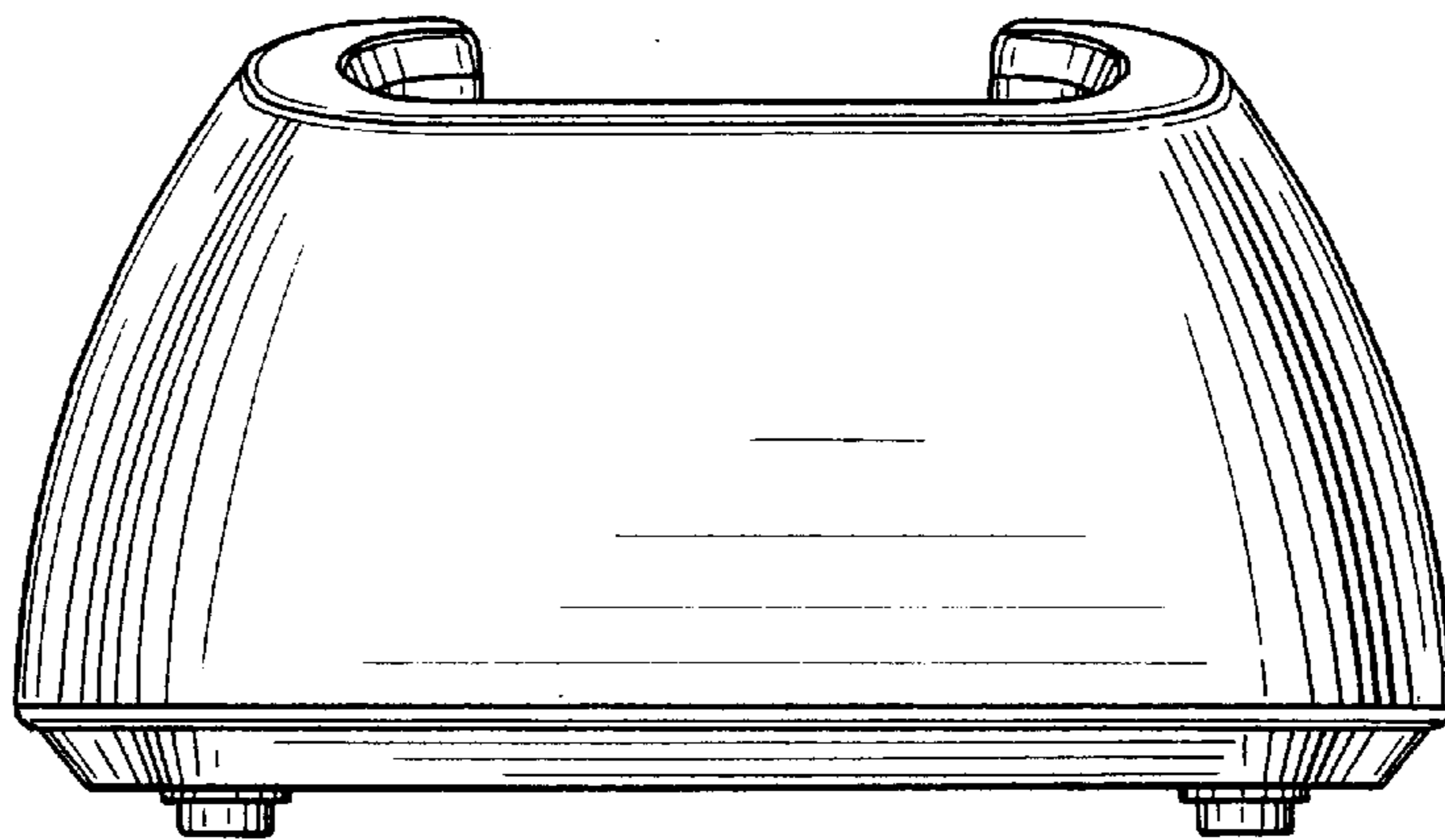


FIG. 3

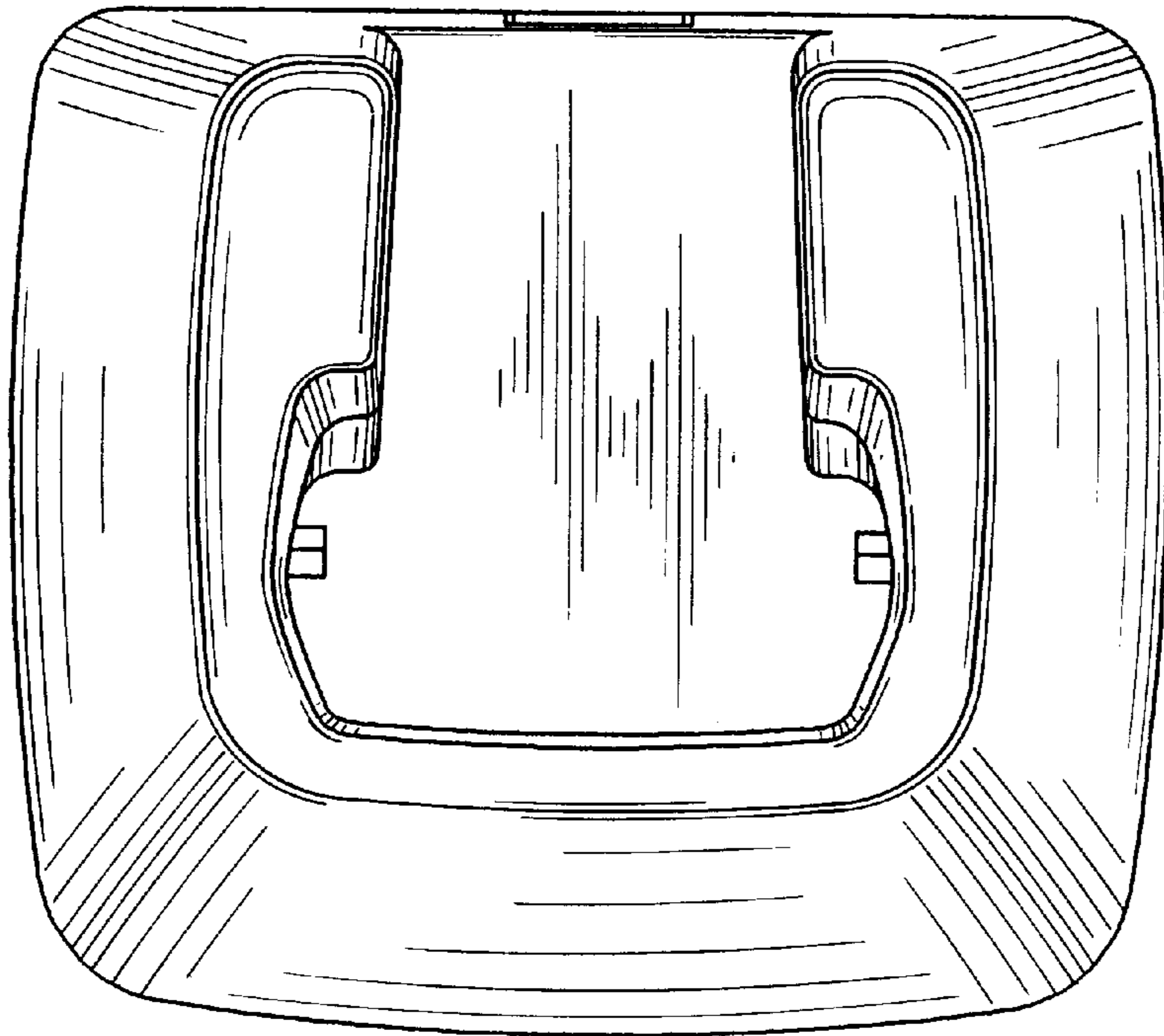


FIG. 4

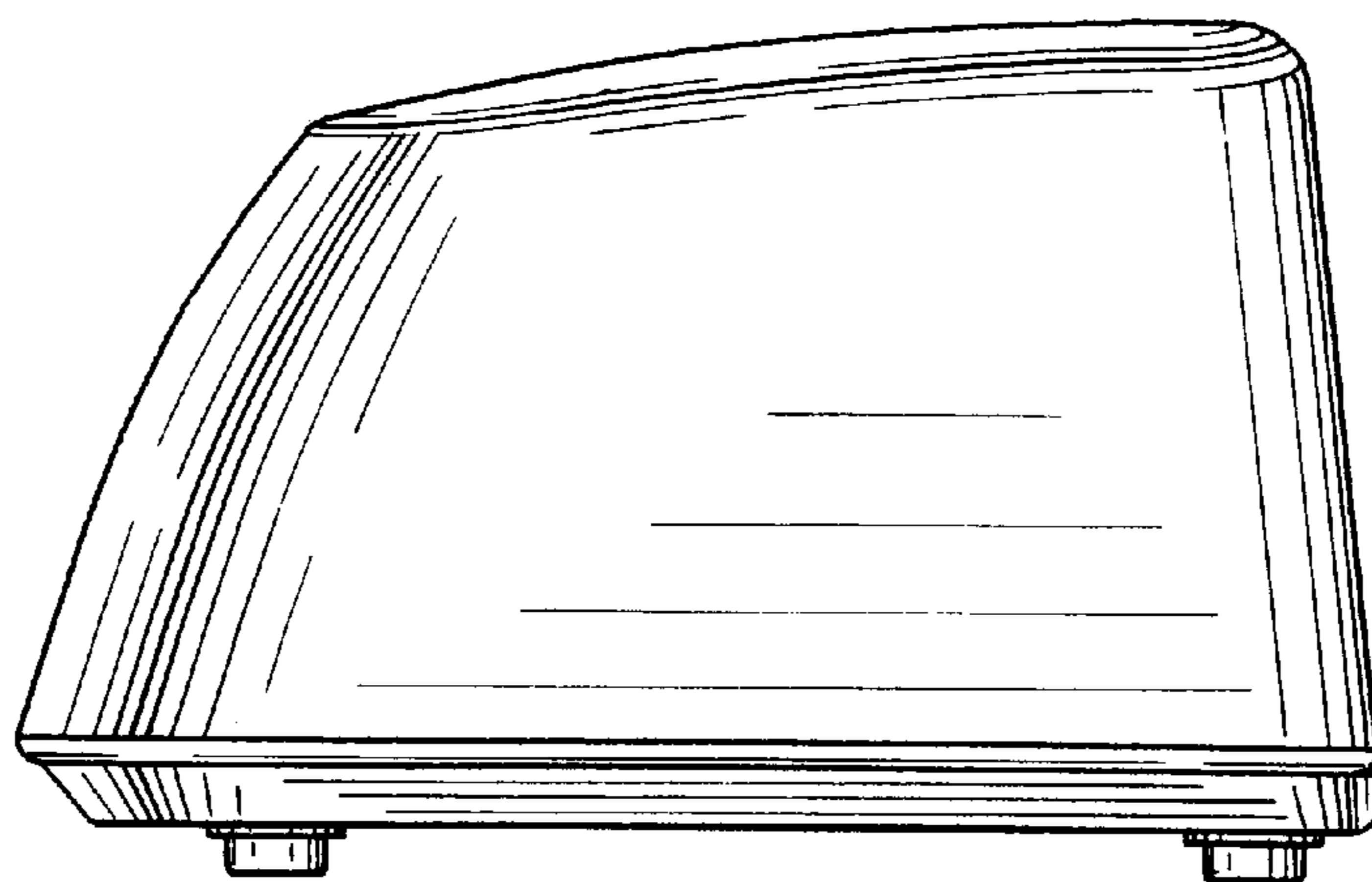


FIG. 5

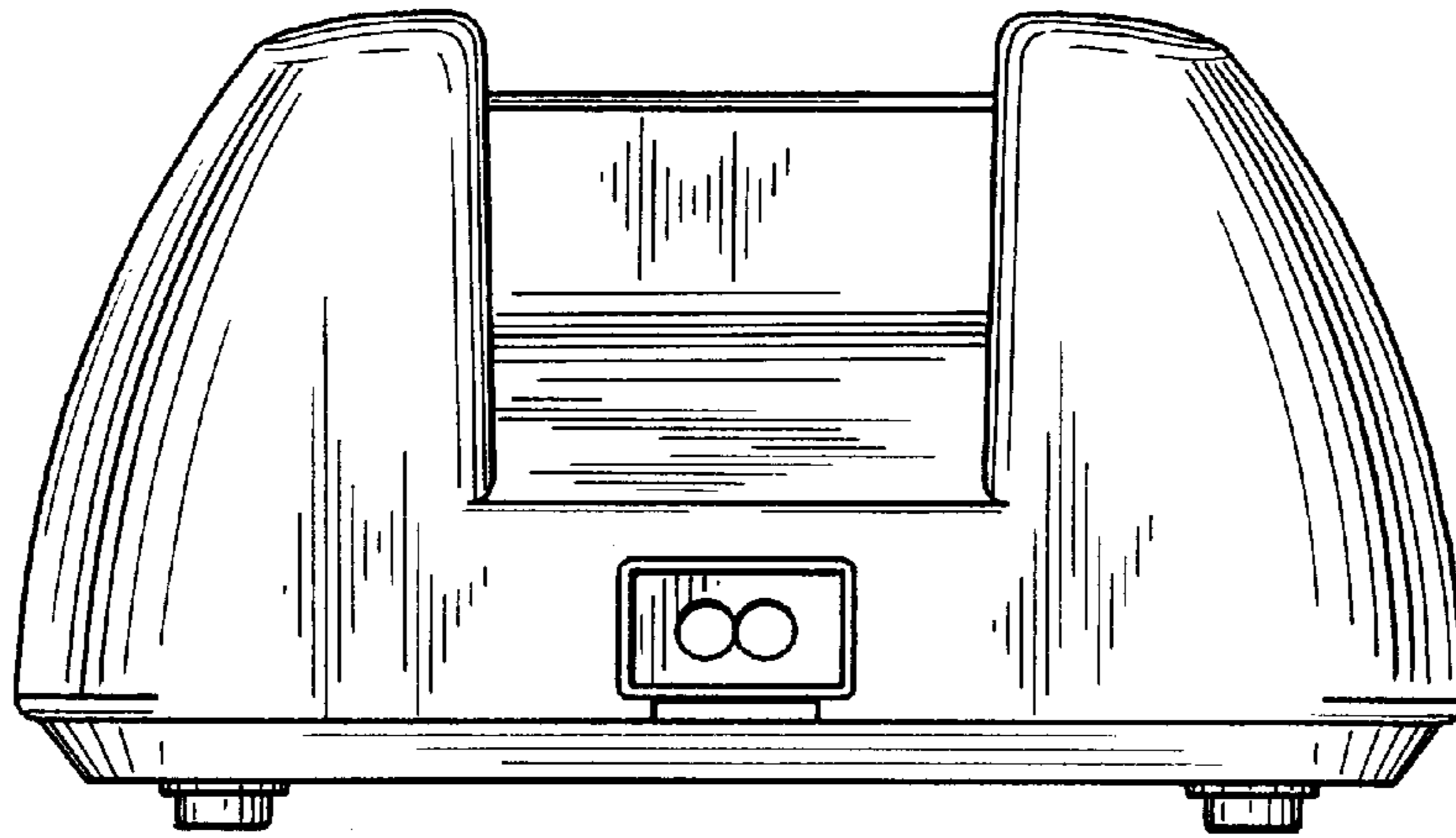


FIG. 6

