



US00D417425S

United States Patent [19]
Shimazu

[11] **Patent Number: Des. 417,425**

[45] **Date of Patent: ** Dec. 7, 1999**

[54] **FRONT PORTION OF A MOTOR VEHICLE**

[75] Inventor: **Yutaka Shimazu**, Aki-gun, Japan

[73] Assignee: **Mazda Motor Corporation**,
Hiroshima-Ken, Japan

[**] Term: **14 Years**

[21] Appl. No.: **29/097,181**

[22] Filed: **Nov. 30, 1998**

[51] **LOC (6) Cl.** **12-16**

[52] **U.S. Cl.** **D12/196**

[58] **Field of Search** D12/196, 163,
D12/90-92, 169; 296/185

[56] **References Cited**

U.S. PATENT DOCUMENTS

D. 360,606	7/1995	Holmes et al.	D12/91
D. 367,443	2/1996	Sacco et al.	D12/96
D. 403,285	12/1998	Abalos et al.	D12/163
D. 403,989	1/1999	Honda et al.	D12/91
D. 404,697	1/1999	Siltavouri	D12/163
D. 406,795	3/1999	Nogura et al.	D12/91

Primary Examiner—Melody N. Brown
Attorney, Agent, or Firm—Sidley & Austin; Hugh A. Abrams

[57] **CLAIM**

The ornamental design for a front portion of a motor vehicle, as shown and described.

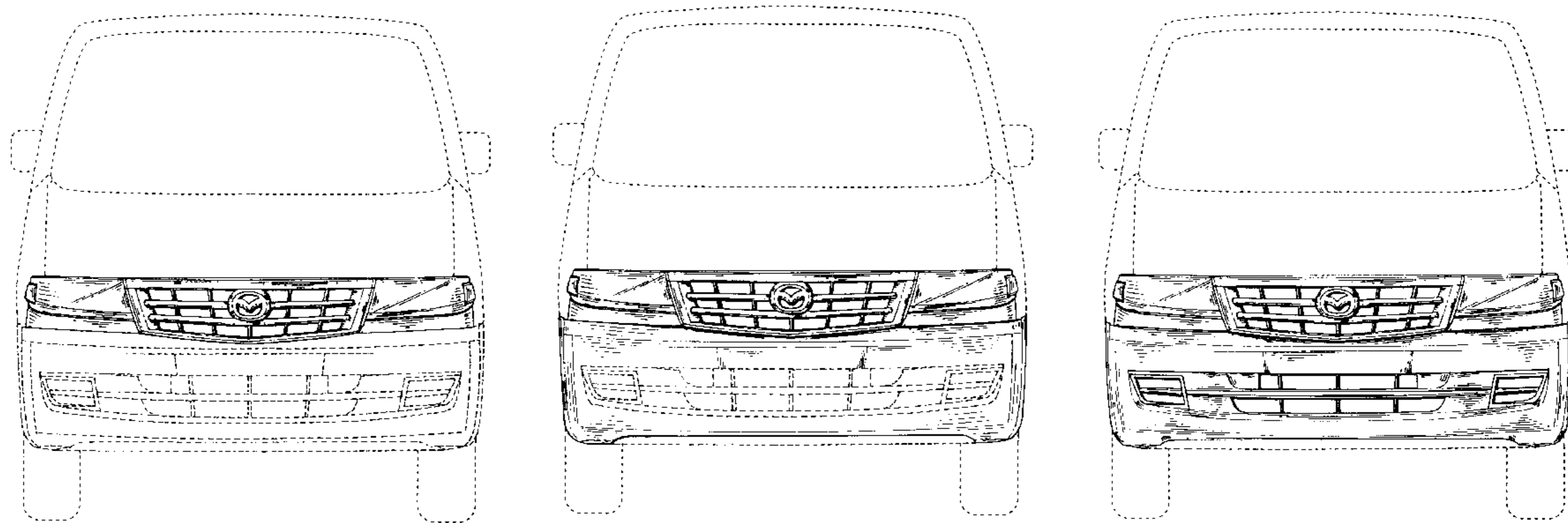
DESCRIPTION

FIG. 1 is a perspective view of a front portion of a motor

vehicle showing a first embodiment of my new design;
 FIG. 2 is a front view thereof;
 FIG. 3 is a rear view thereof;
 FIG. 4 is a right side view thereof;
 FIG. 5 is a left side view thereof;
 FIG. 6 is a top view thereof;
 FIG. 7 is a perspective view of a front portion showing a second embodiment of my new design;
 FIG. 8 is a front view thereof;
 FIG. 9 is a rear view thereof;
 FIG. 10 is a right side view thereof;
 FIG. 11 is a left side view thereof;
 FIG. 12 is a top view thereof;
 FIG. 13 is a perspective view of a front portion showing a third embodiment of my new design;
 FIG. 14 is a front view thereof;
 FIG. 15 is a rear view thereof;
 FIG. 16 is a right side view thereof;
 FIG. 17 is a left side view thereof; and,
 FIG. 18 is a top view thereof.

The portion of the motor vehicle shown in broken lines is for illustrative purpose only and forms no part of the claimed design.

1 Claim, 15 Drawing Sheets



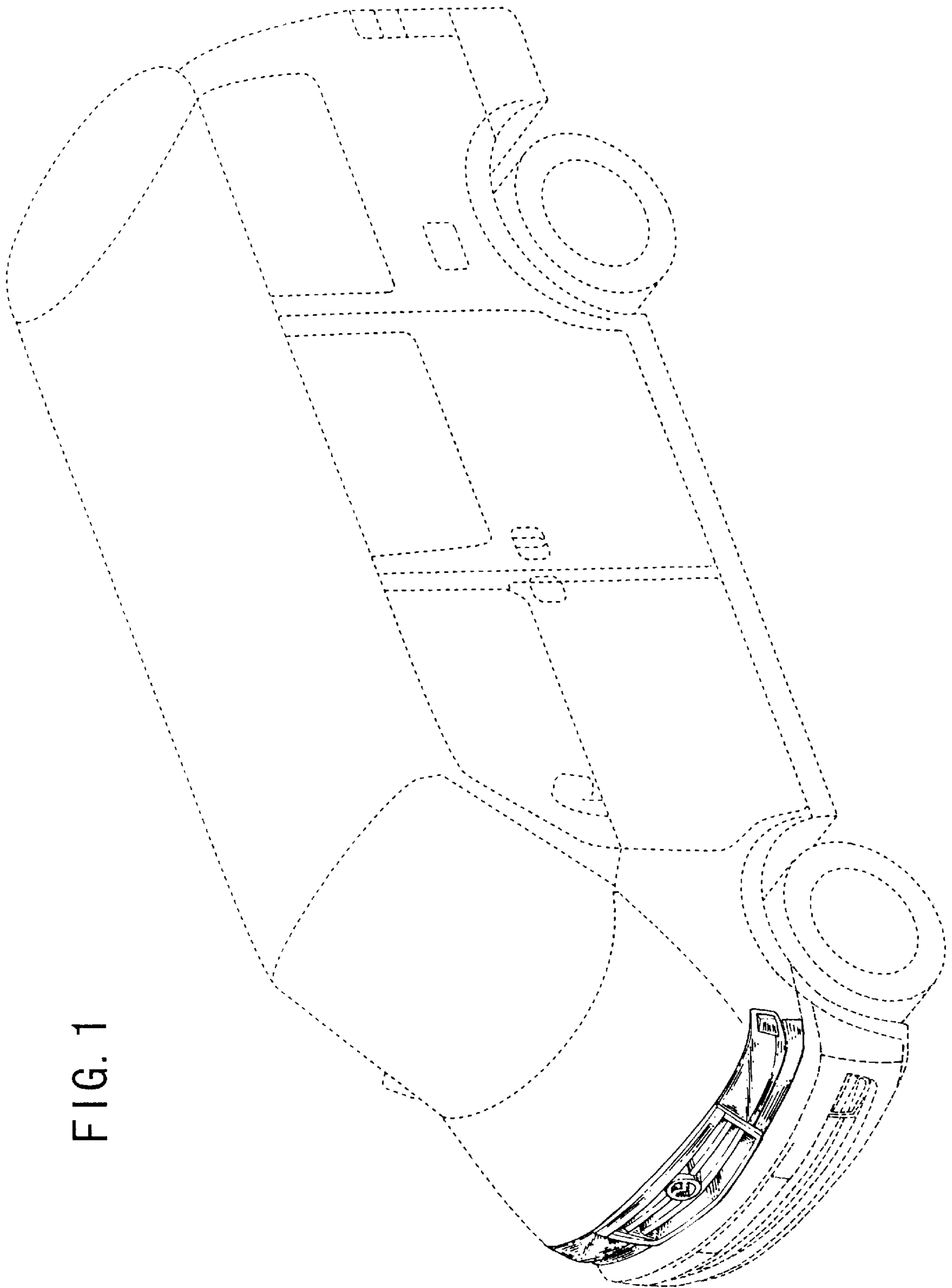


FIG. 1

FIG. 2

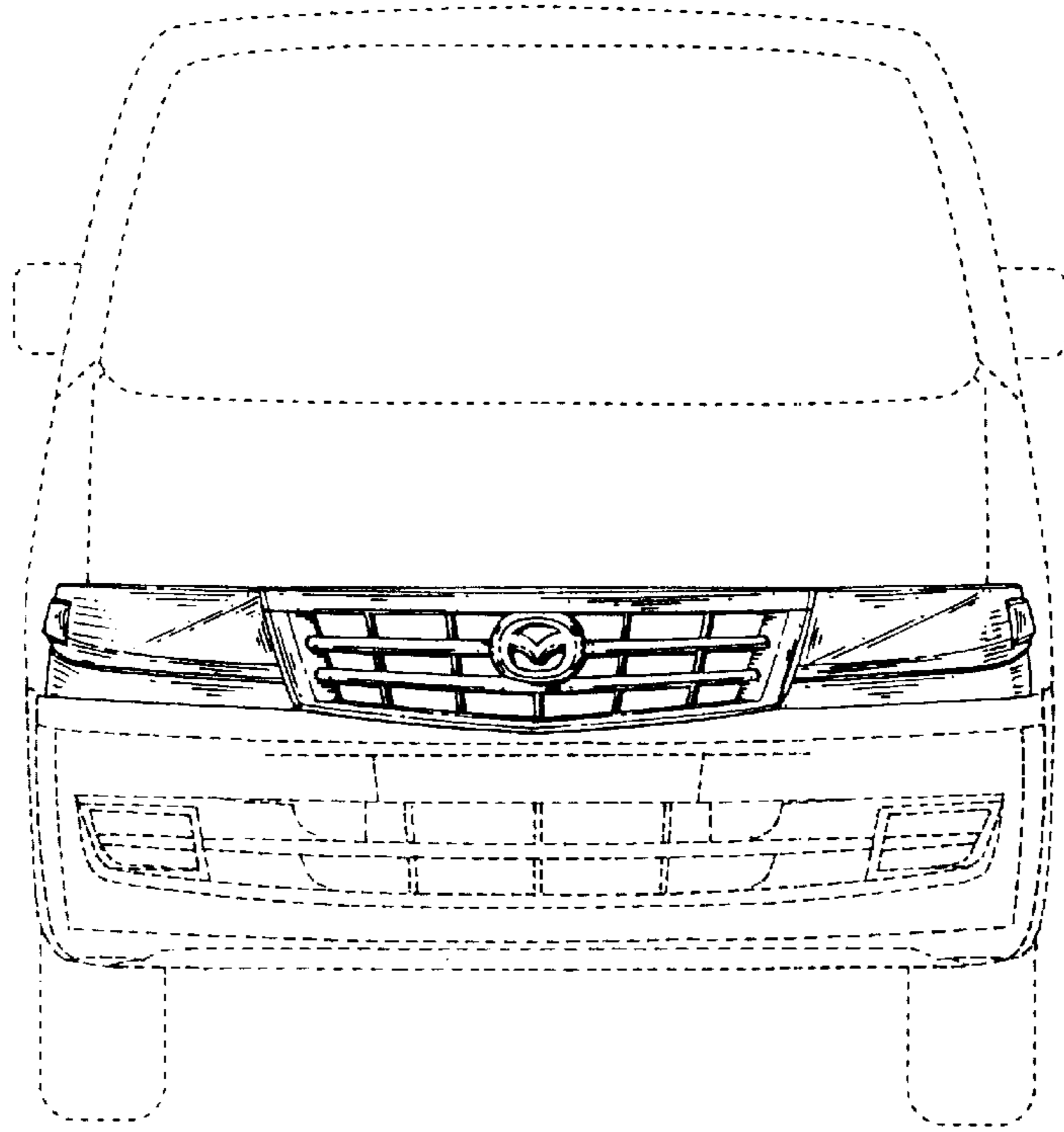


FIG. 3

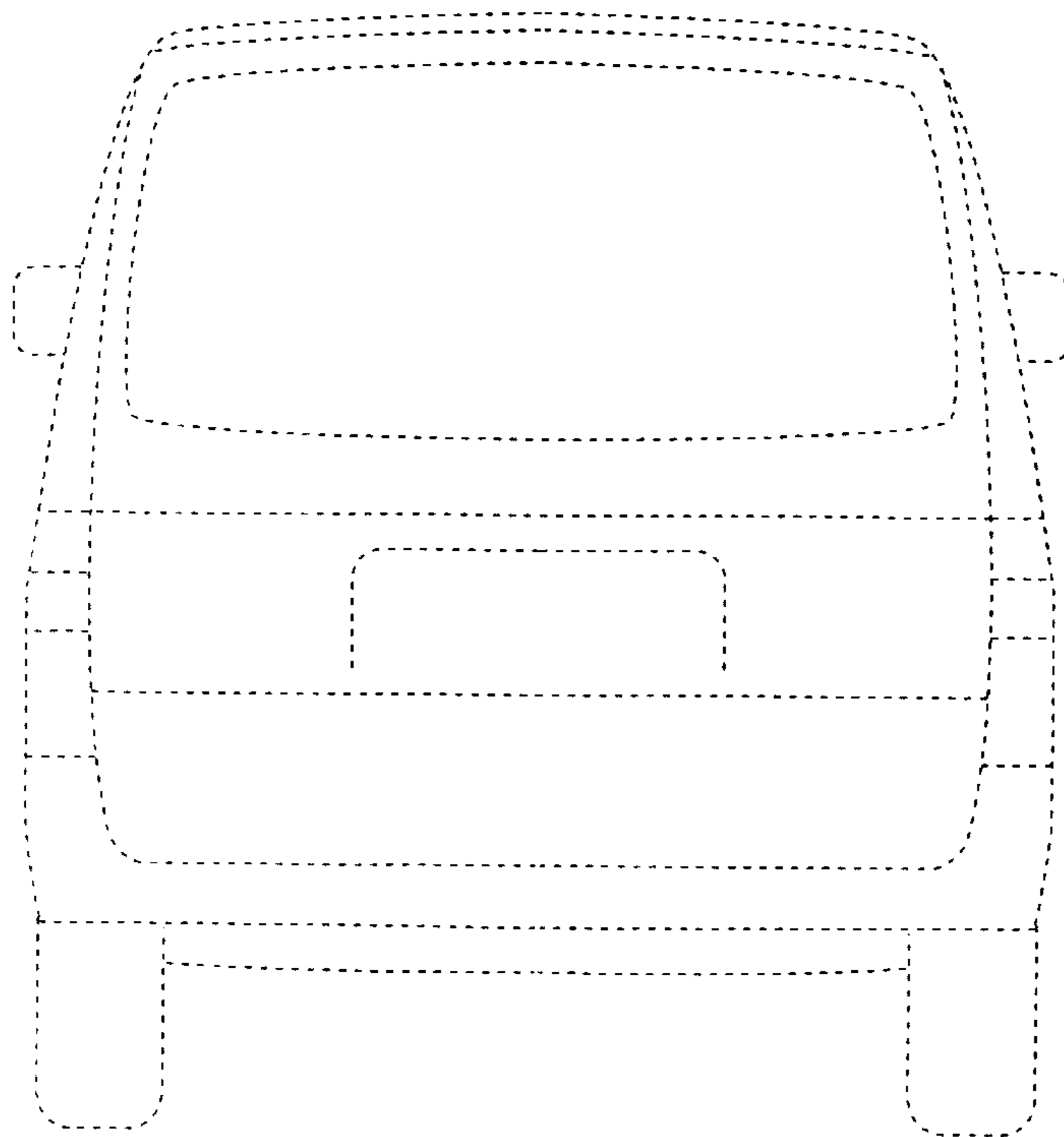


FIG. 4

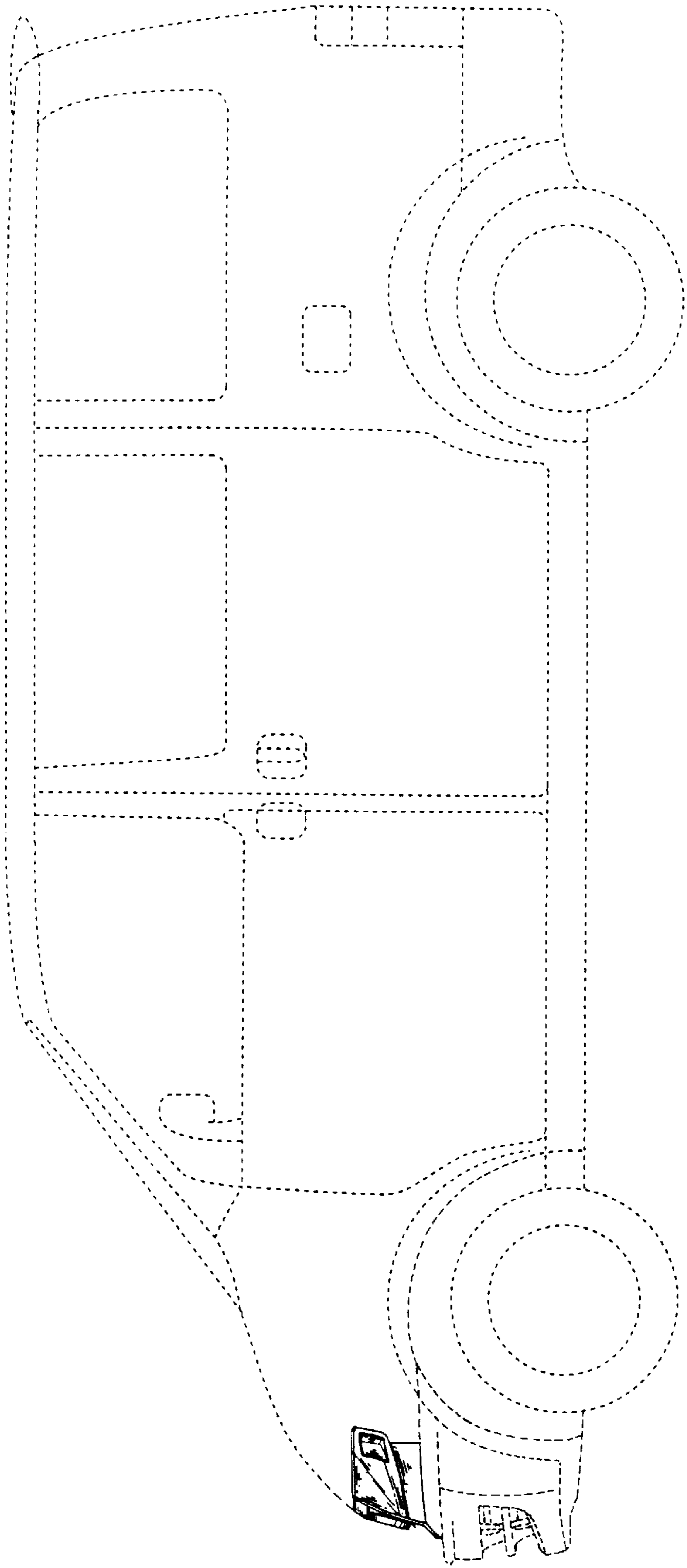


FIG. 5

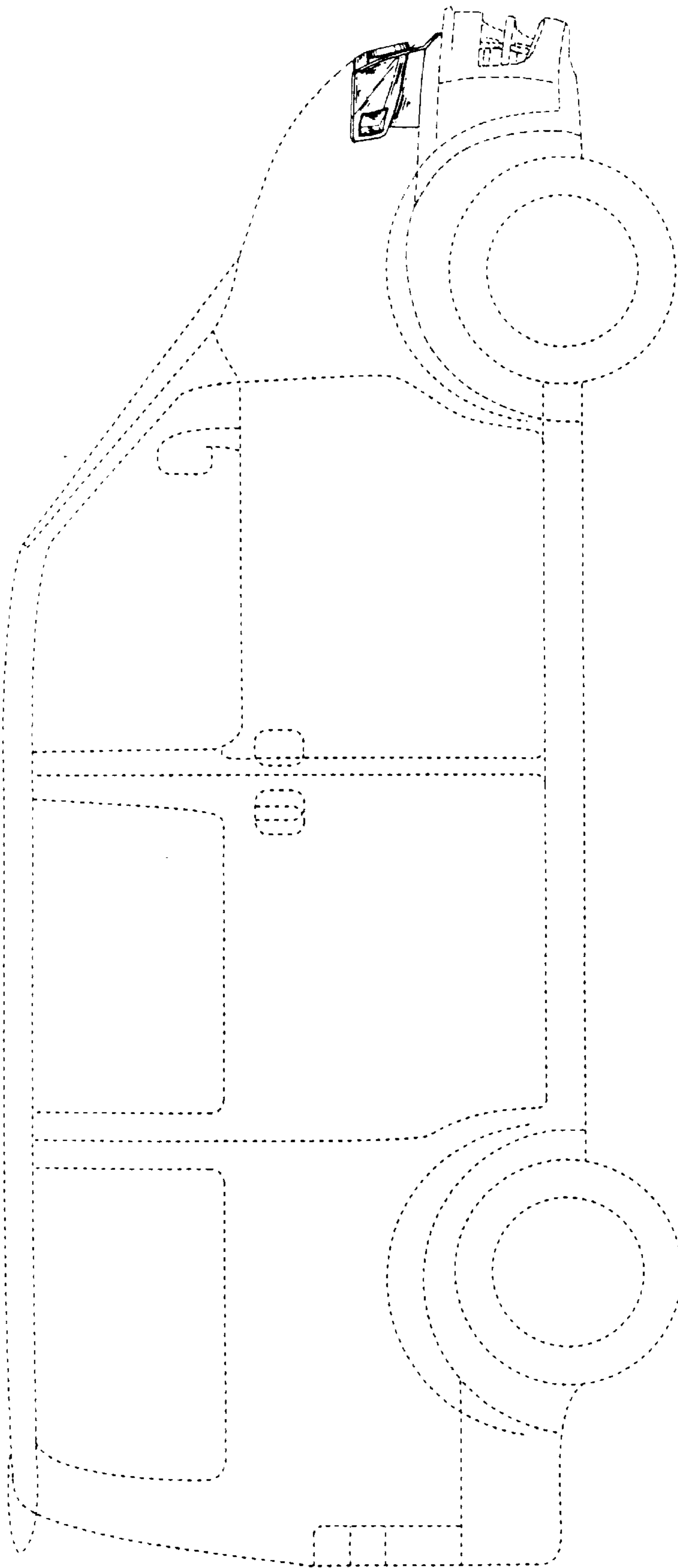
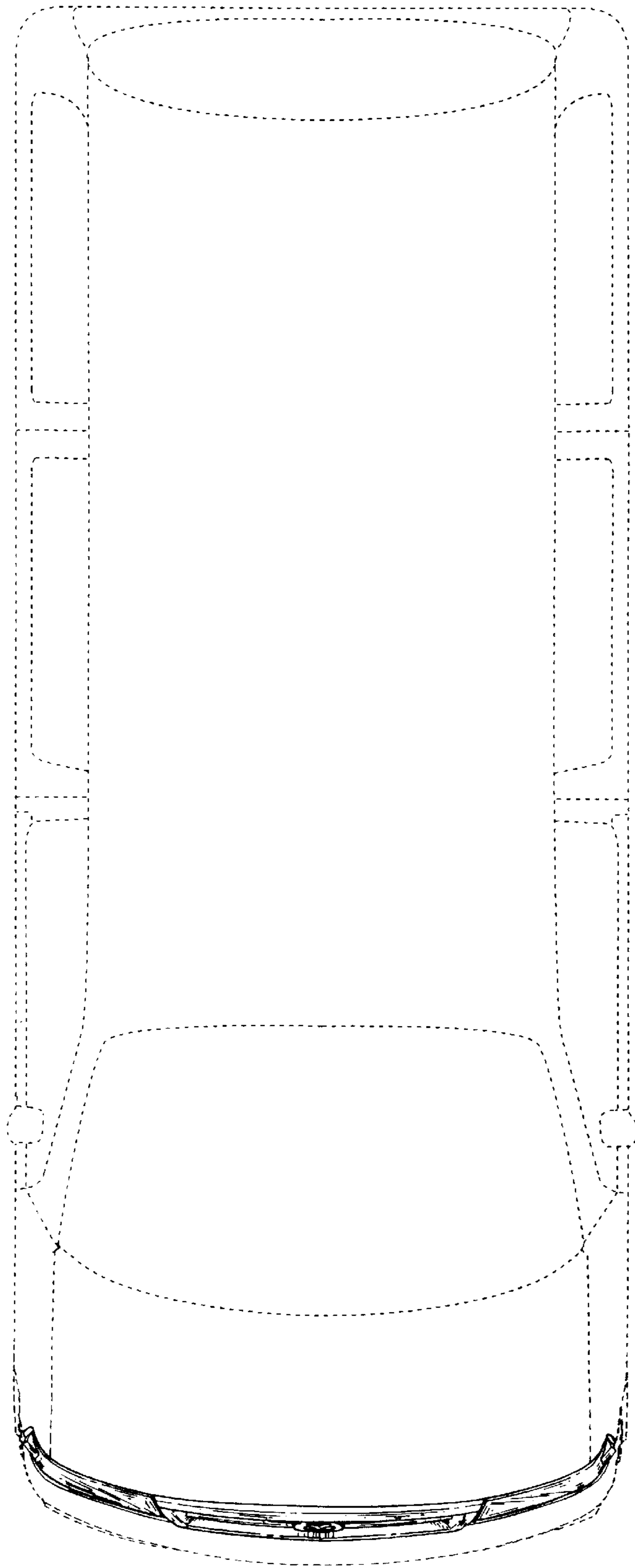


FIG. 6



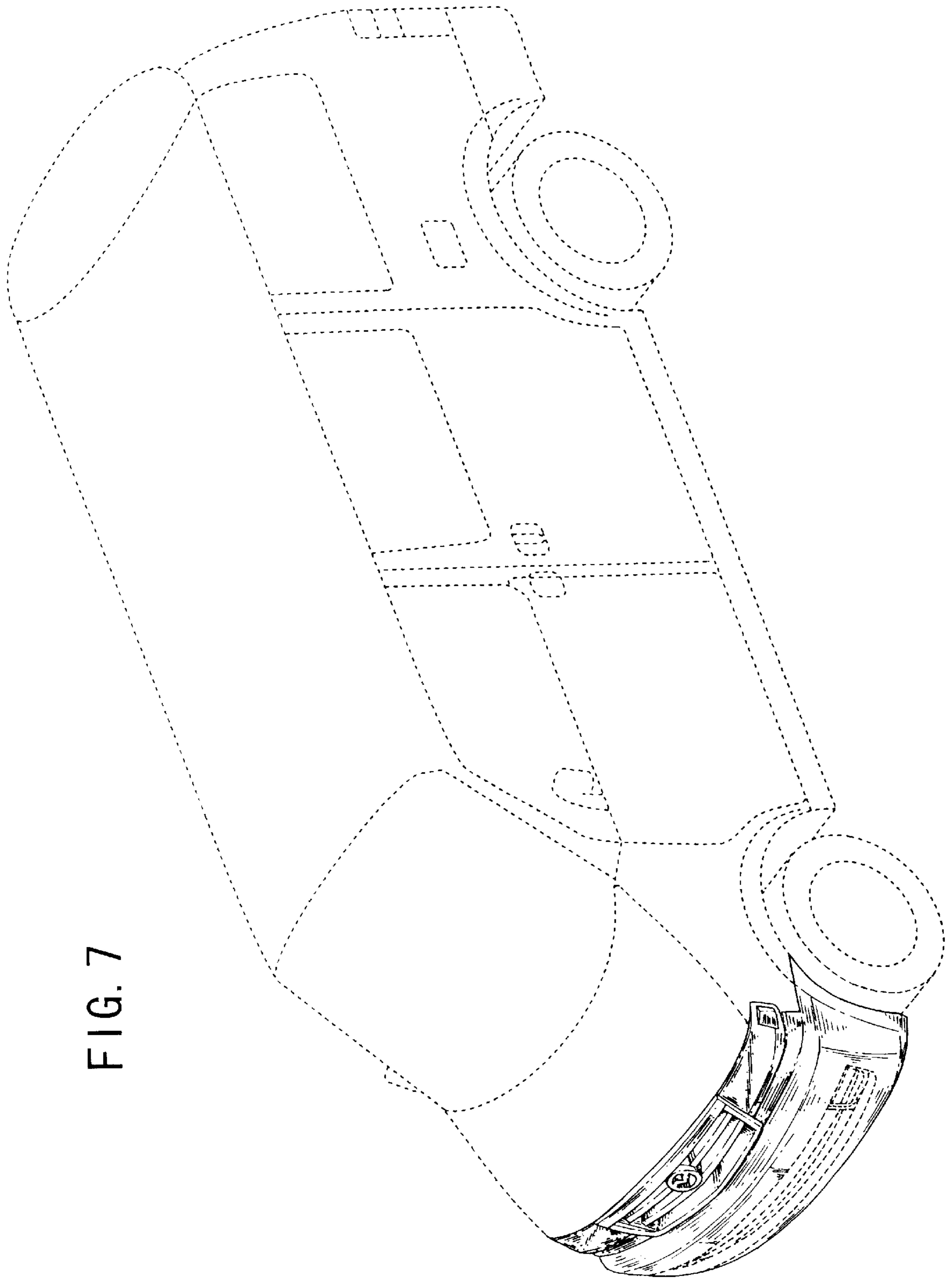


FIG. 7

FIG. 8

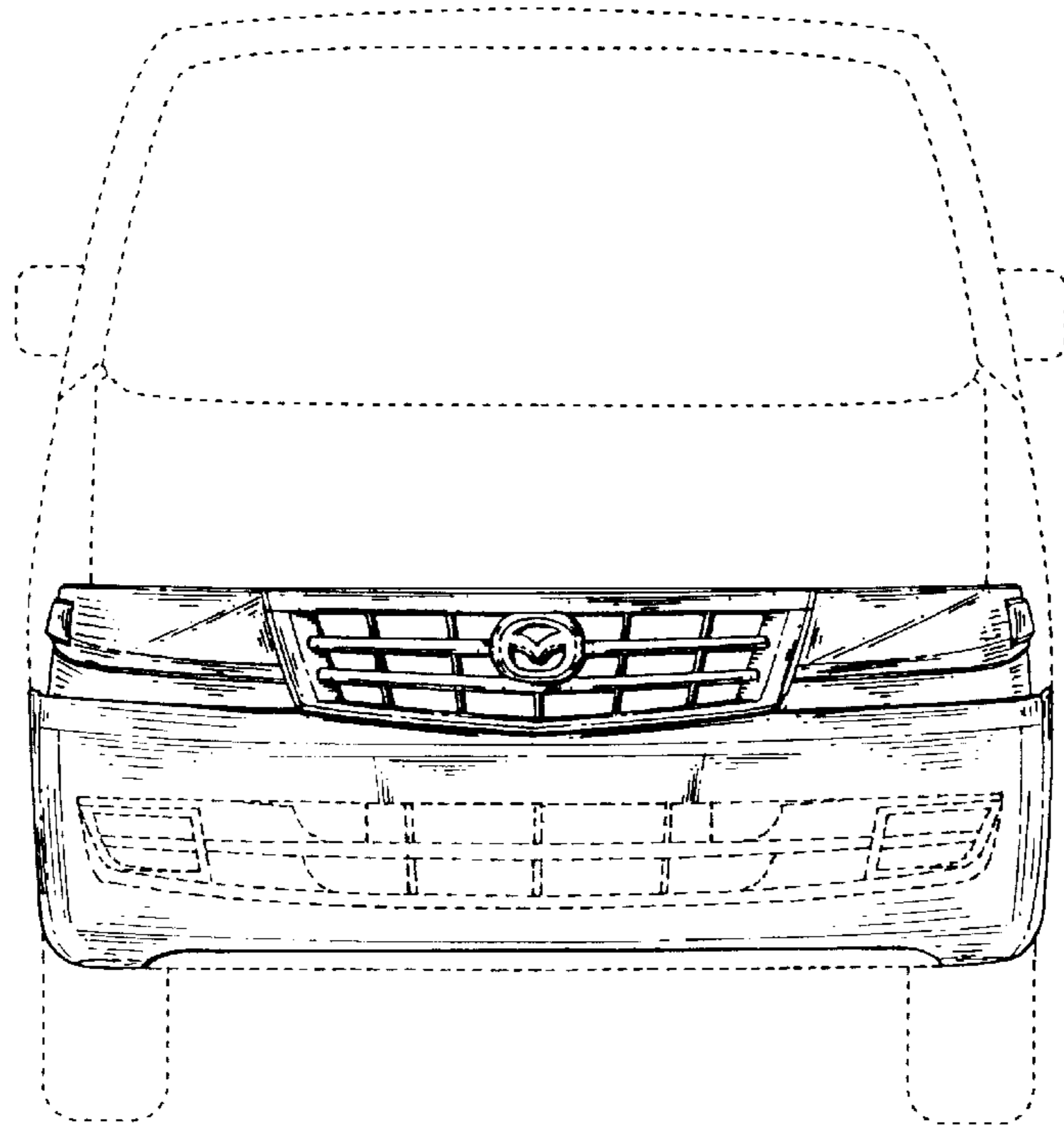


FIG. 9

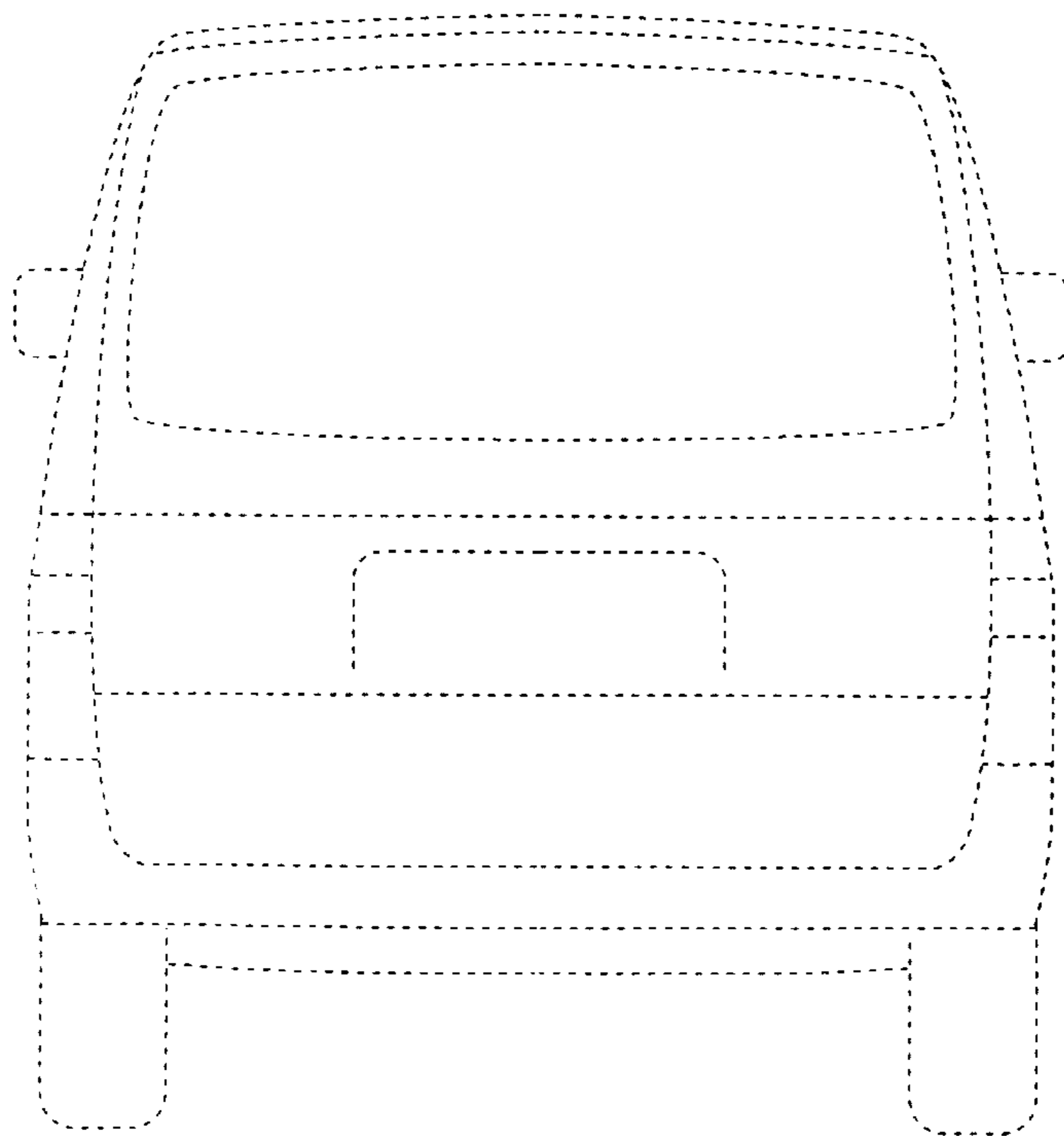


FIG. 10

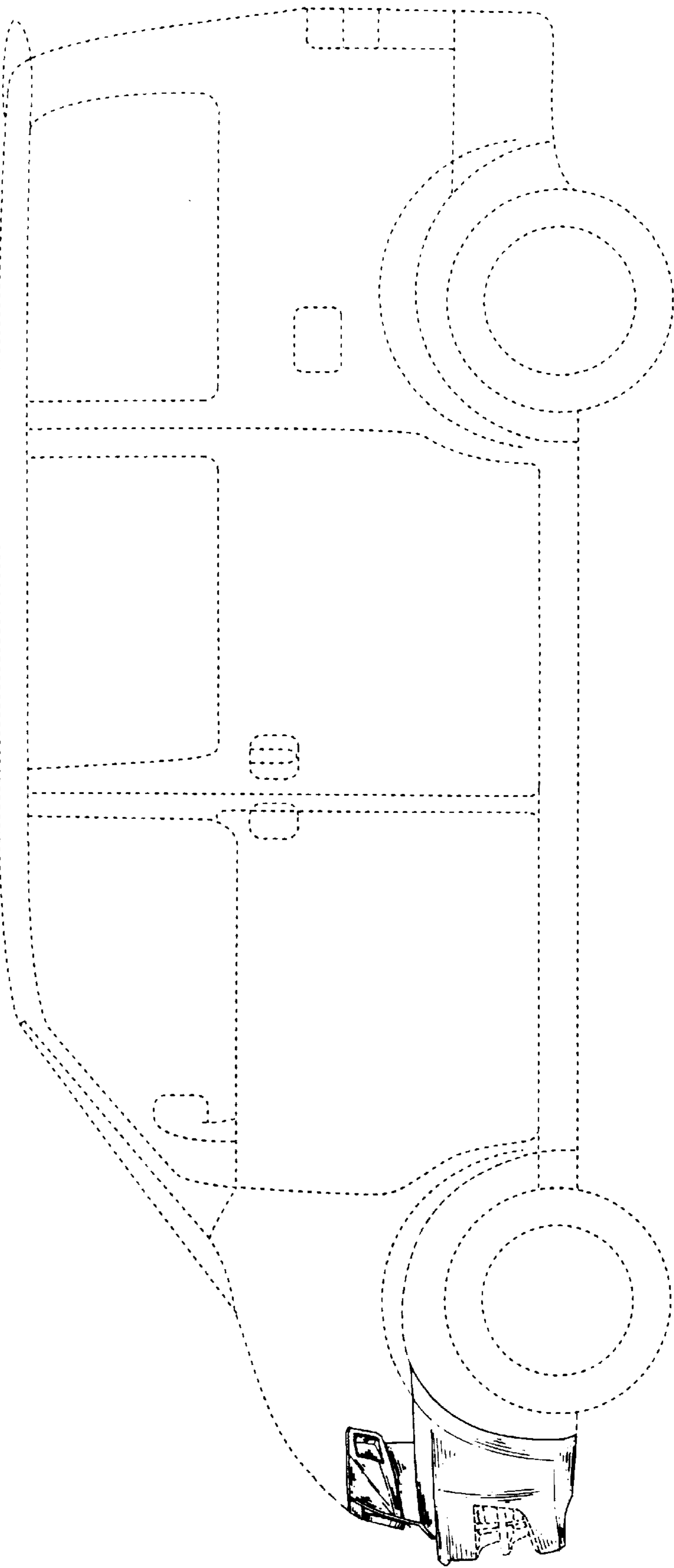


FIG. 11

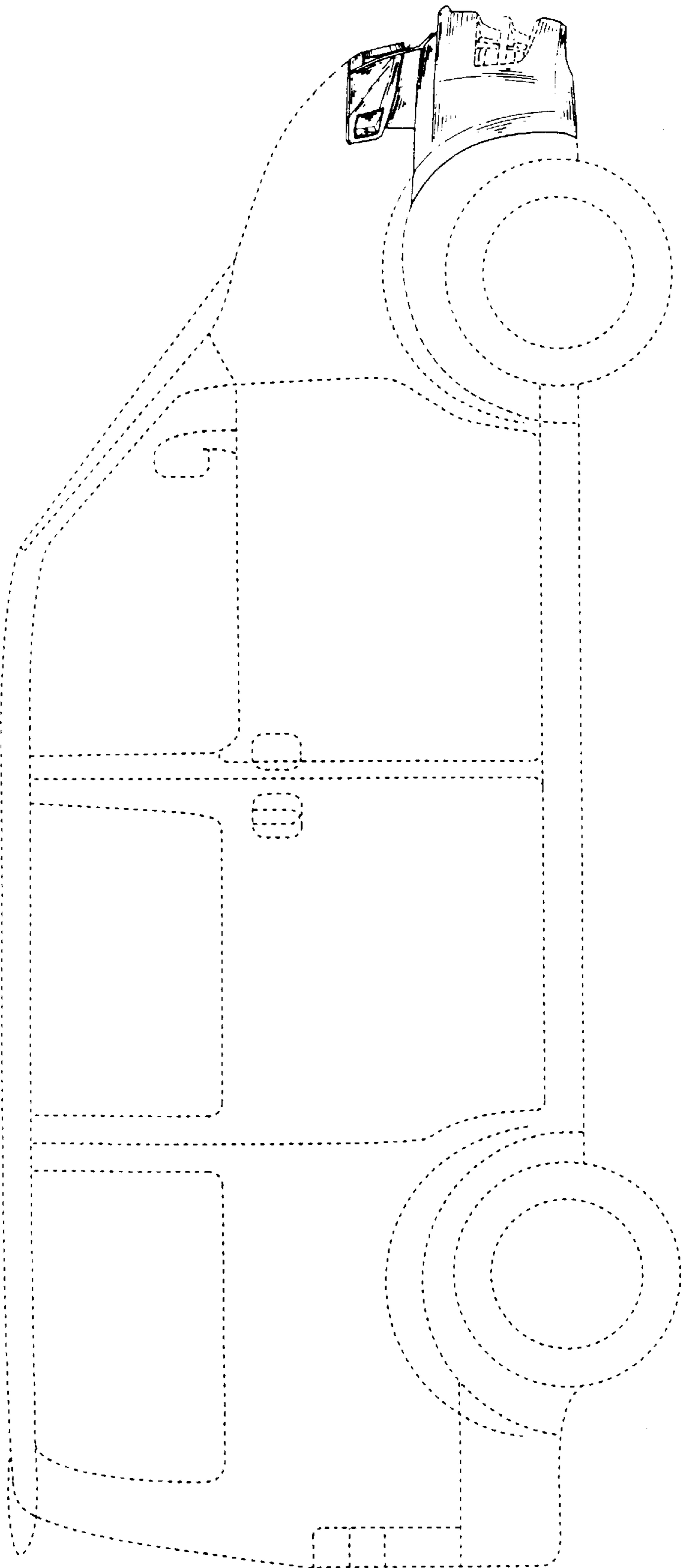
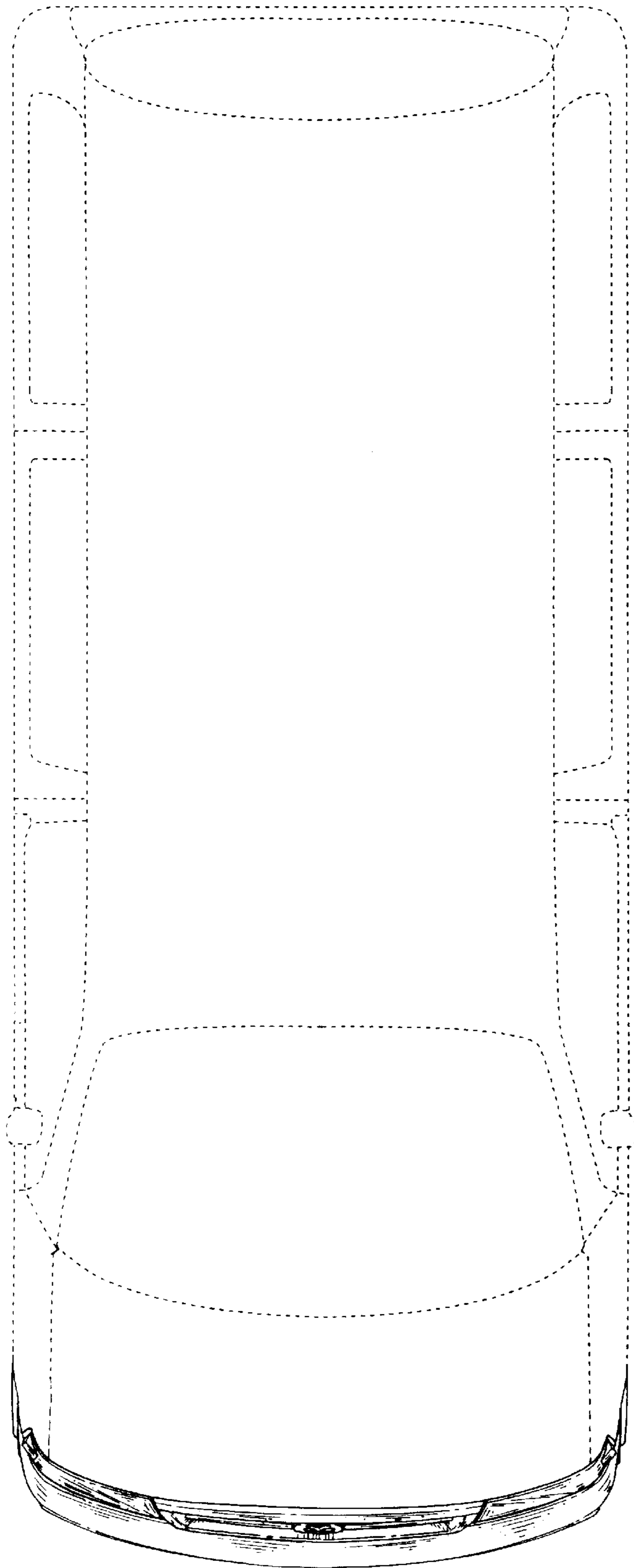


FIG. 12



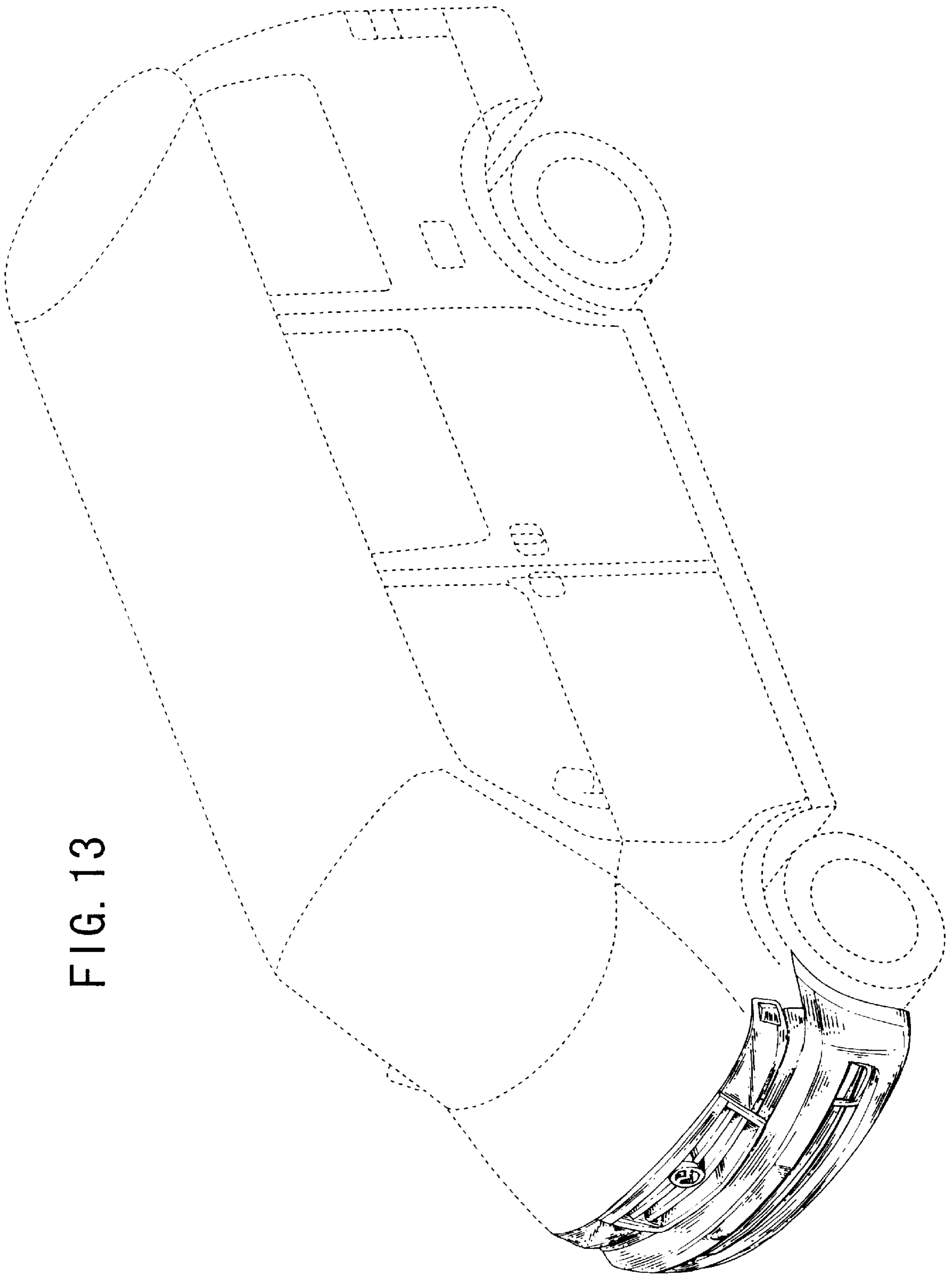


FIG. 13

FIG. 14

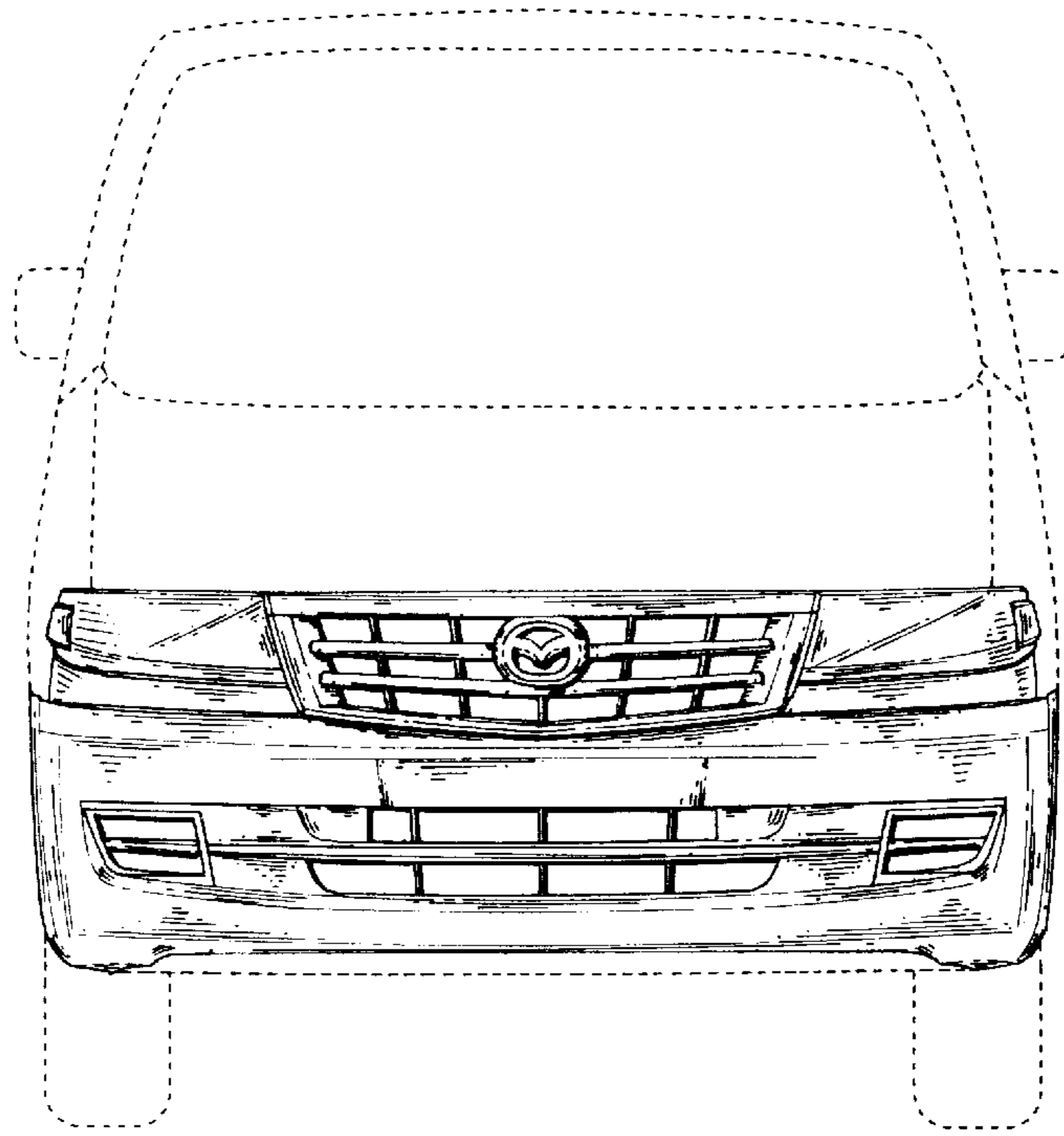


FIG. 15

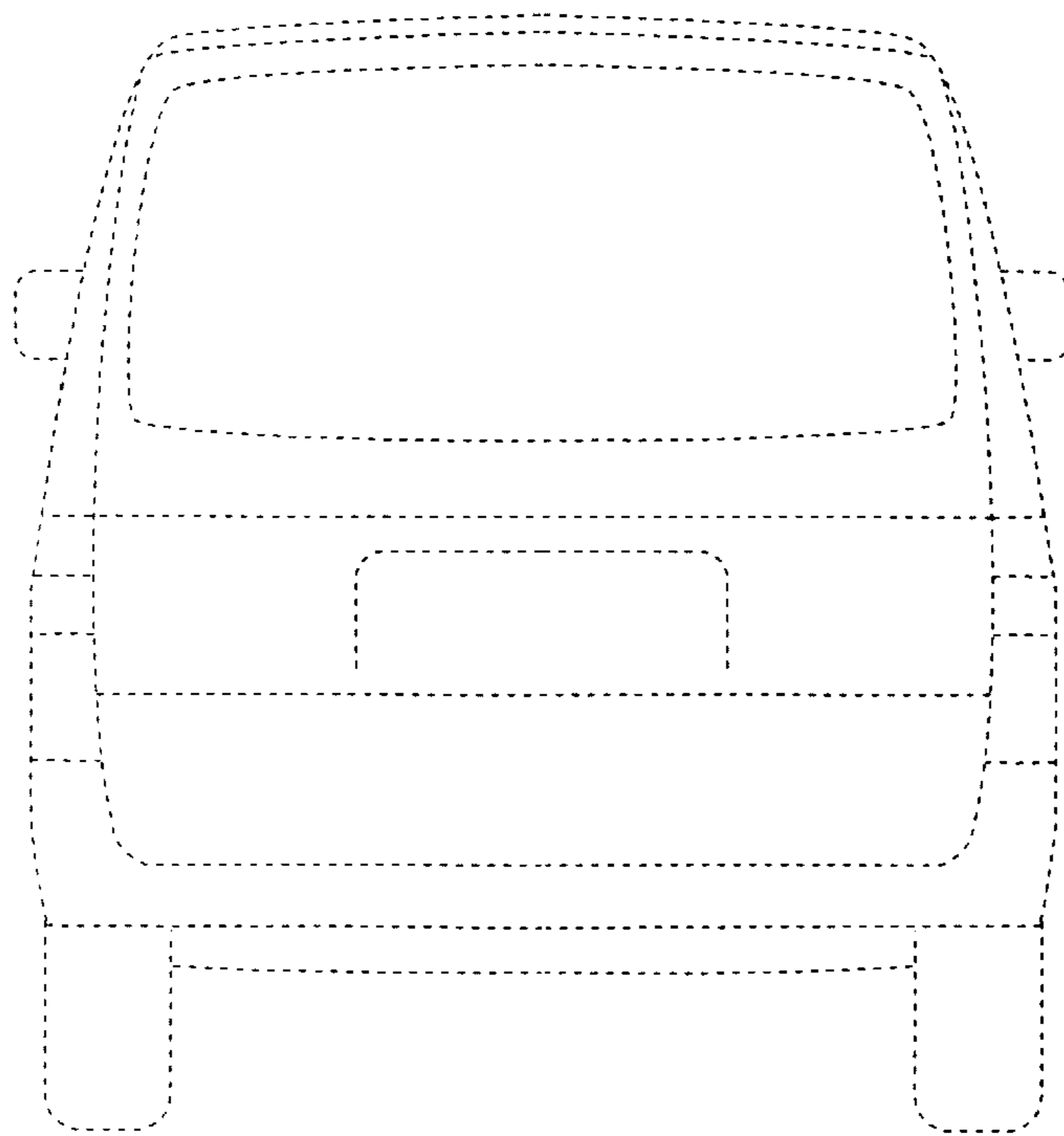


FIG. 16

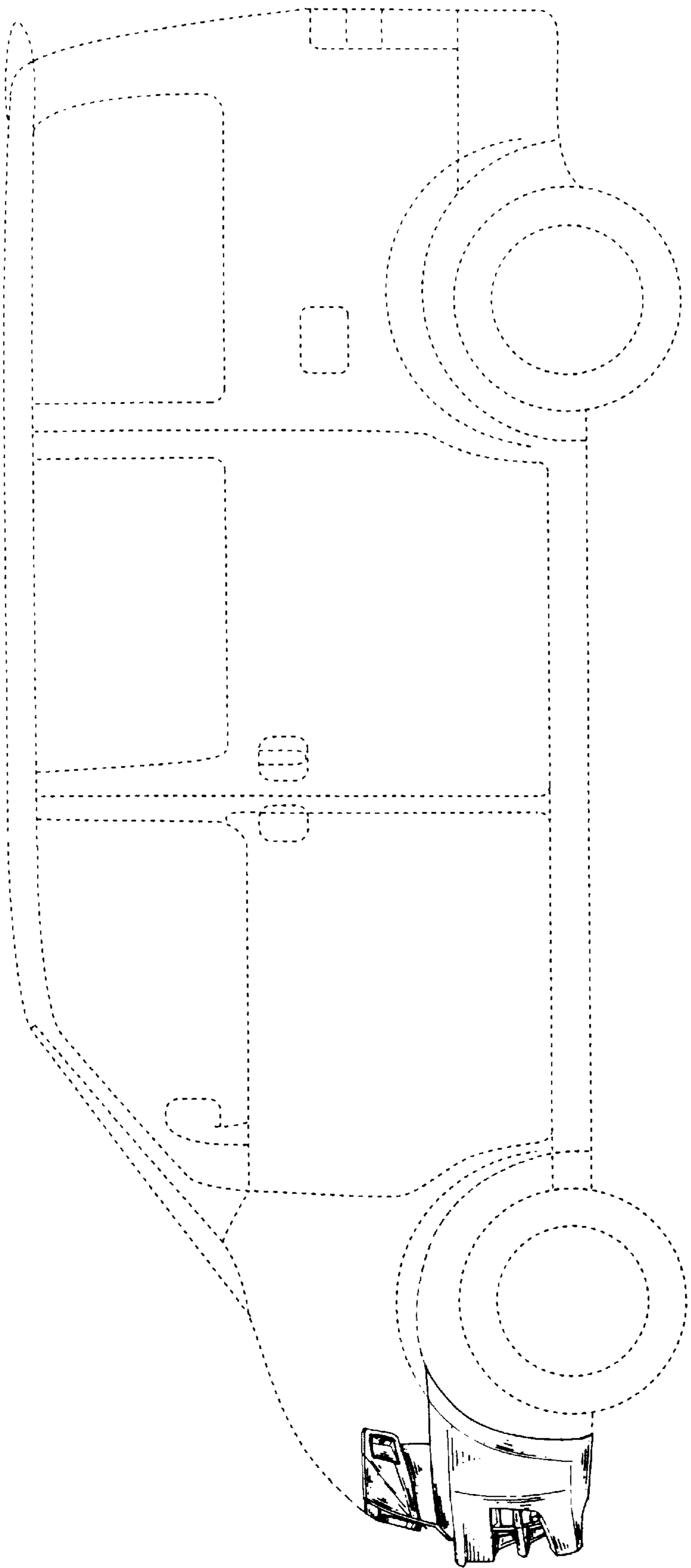


FIG. 17

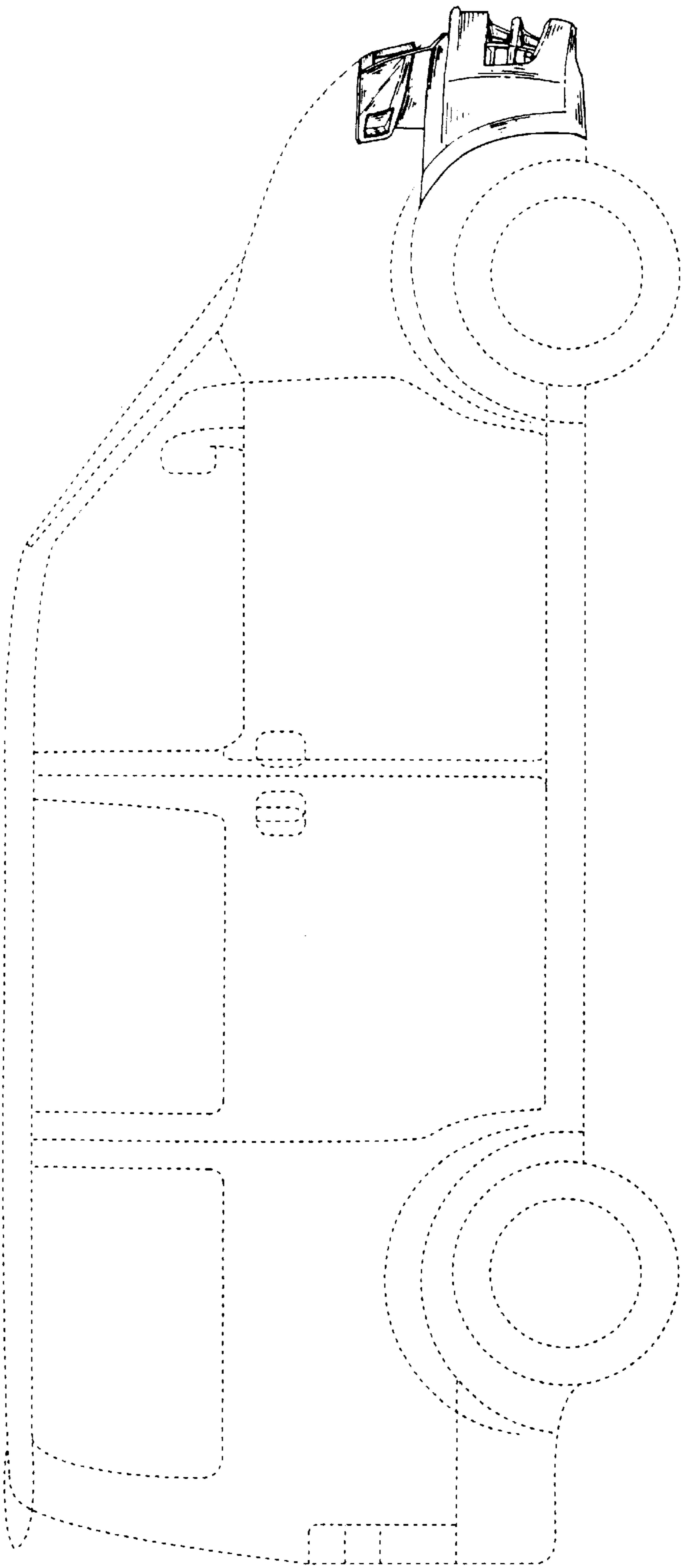


FIG. 18

