



US00D417421S

**United States Patent** [19]  
**Cazin-Bourguignon et al.**

[11] **Patent Number: Des. 417,421**

[45] **Date of Patent: \*\* Dec. 7, 1999**

[54] **TIRE TREAD**

[75] Inventors: **Jean-Francois Cazin-Bourguignon**,  
Audun-Le-Tiche, France; **Philippe Jean  
Gerard De Coninck**, Ettelbruck,  
Luxembourg; **Michel Pierre Charles  
Robert**, Sibret, Belgium

[73] Assignee: **The Goodyear Tire & Rubber  
Company**, Akron, Ohio

[\*\*] Term: **14 Years**

[21] Appl. No.: **29/100,926**

[22] Filed: **Feb. 22, 1999**

[51] **LOC (6) Cl.** ..... **12-15**

[52] **U.S. Cl.** ..... **D12/147**

[58] **Field of Search** ..... D12/136-152;  
152/209.1, 209.8, 209.9, 209.11, 209.13,  
209.16, 209.28, 901, 902, 903

[56] **References Cited**

**U.S. PATENT DOCUMENTS**

D. 245,687	9/1977	Kawabata et al. ....	D12/136
D. 260,872	9/1981	Wright et al. ....	D12/146
D. 267,400	12/1982	Amarger .....	D12/147
D. 279,971	8/1985	Wallet .....	D12/147
D. 287,350	12/1986	Weston .....	D12/147
D. 288,078	2/1987	Hasegawa .....	D12/146
D. 309,883	8/1990	Barnett .....	D12/143
D. 328,579	8/1992	Manestar .....	D12/147
D. 337,978	8/1993	Himuro et al. ....	D12/147
D. 342,706	12/1993	Wise .....	D12/147
D. 344,049	2/1994	Brown et al. ....	D12/147
D. 352,488	11/1994	Siramy .....	D12/147
D. 354,035	1/1995	McKisson .....	D12/147
D. 385,239	10/1997	Bonko .....	D12/146
D. 388,033	12/1997	Scheuren et al. ....	D12/146
D. 412,143	7/1999	Guidry .....	D12/146

4,217,942	8/1980	Takigawa et al. ....	152/209 R
4,619,300	10/1986	Tokunaga et al. ....	152/209 R
4,815,512	3/1989	Gerresheim et al. ....	152/209 R
5,269,357	12/1993	Killian .....	152/209 R
5,456,301	10/1995	Wise .....	152/209 R
5,479,973	1/1996	Ikeda .....	152/209 B
5,567,253	10/1996	Iwamura .....	152/209 R
5,690,760	11/1997	Brown, Jr. ....	152/209.1

**OTHER PUBLICATIONS**

Atlas Wide Track XT Tire, 1997 Thread Design Guide, p. 82. 1/1, Jan. 1997.

Burnswick Mud King XT Tire, 1997 Tread Design Guide, p. 84. 4/2, Jan. 1997.

Dean Wildcat EXT Radial LT Tire, 1997 Tread Design Guide, p. 90. 2/1, Jan. 1997.

MRF Super Traction Tire, 1997 Tread Design Guide, p. 110. 4/5, Jan. 1997.

*Primary Examiner*—Robert M. Spear

*Attorney, Agent, or Firm*—T P Lewandowski

[57] **CLAIM**

The ornamental design for a tire tread, as shown and described.

**DESCRIPTION**

FIG. 1 is a perspective view of a tire tread showing our new design, it being understood that the pattern repeats uniformly throughout the circumference of the tread;

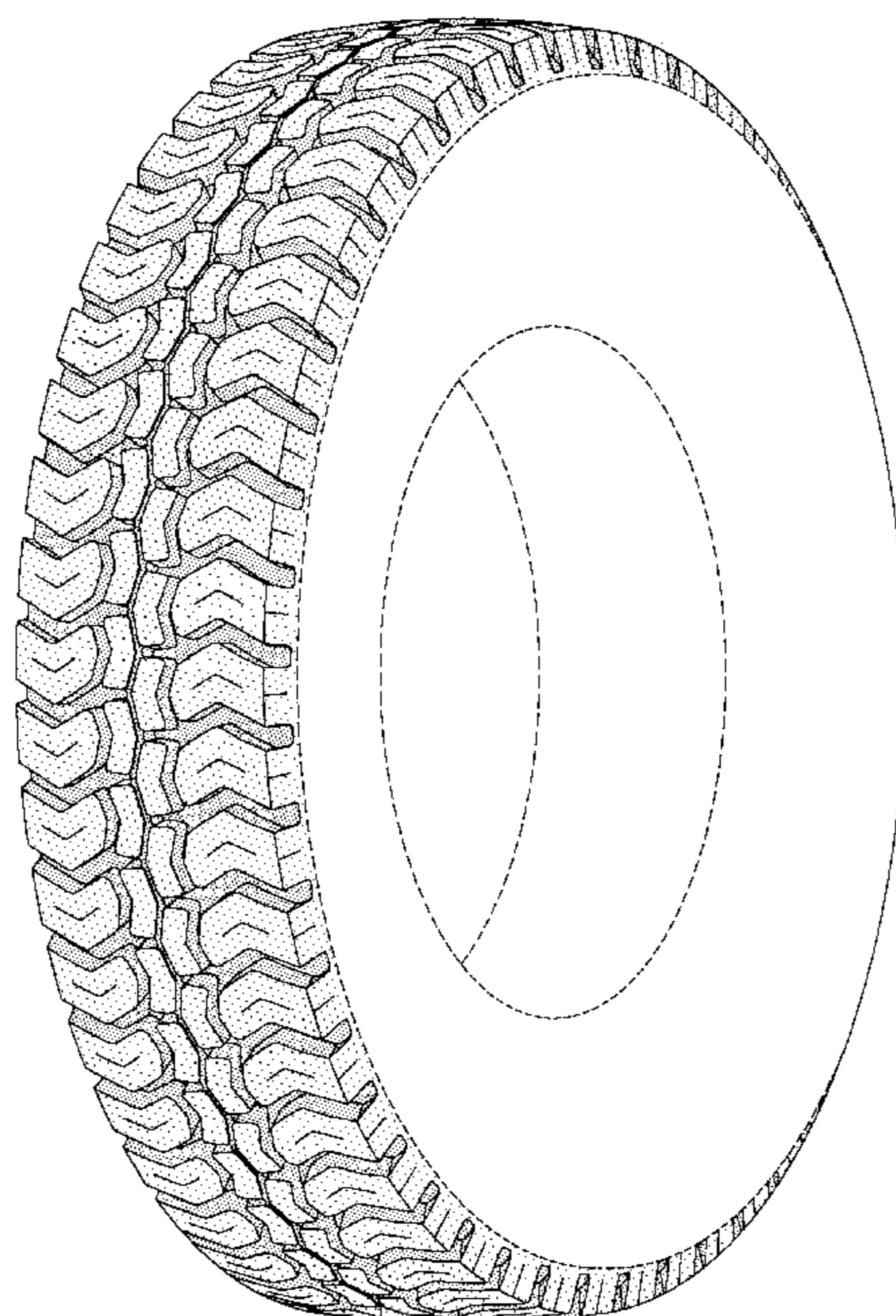
FIG. 2 is a front elevational view thereof;

FIG. 3 is a side elevational view thereof, the opposite side elevational view being identical thereto; and,

FIG. 4 is an enlarged fragmentary perspective view.

In the drawings, the broken lines defining the inner bead of the sidewall and the peripheral boundary between the tire tread and the sidewall are for illustrative purposes only and form no part of the claimed design.

**1 Claim, 4 Drawing Sheets**



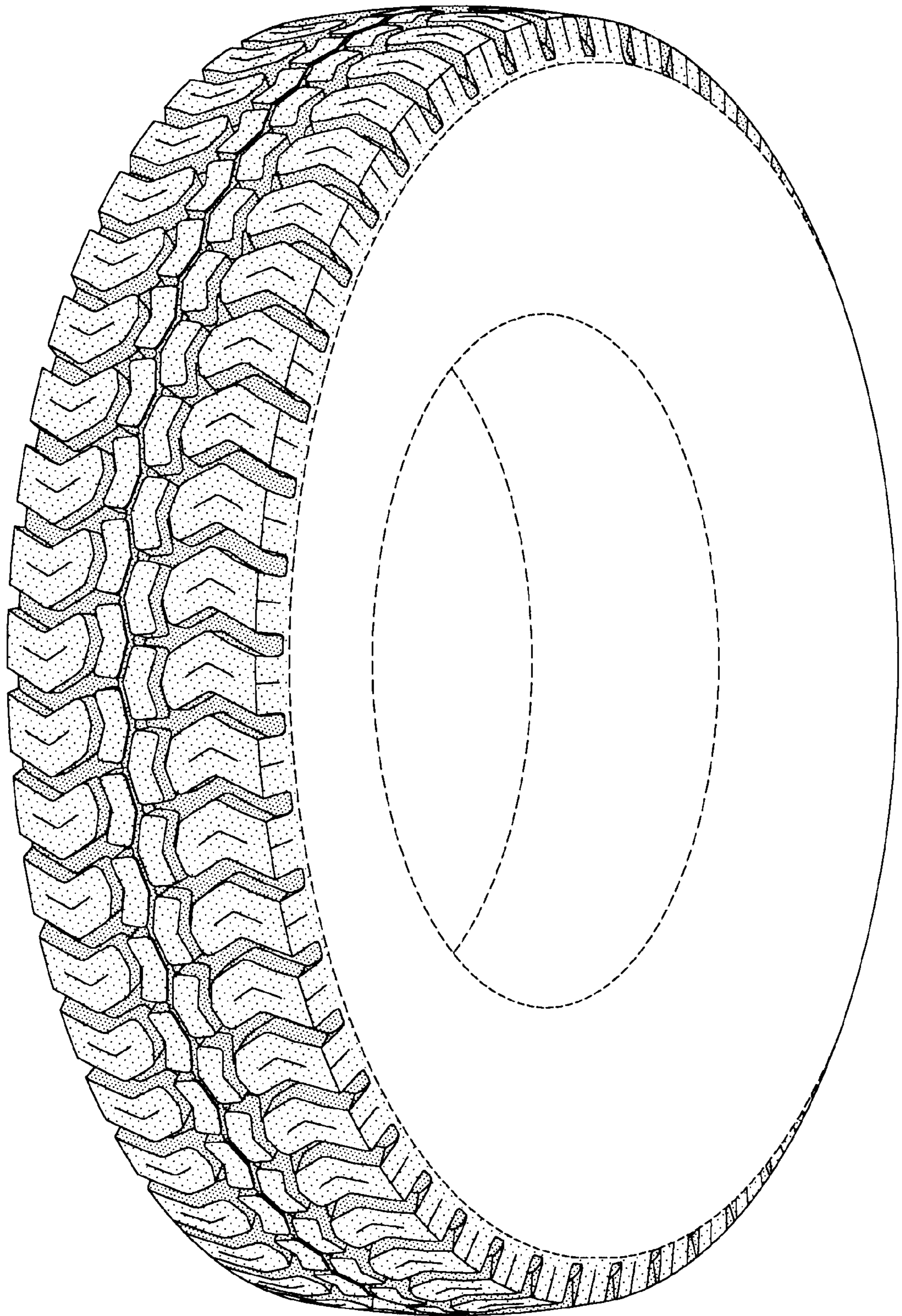


FIG-1

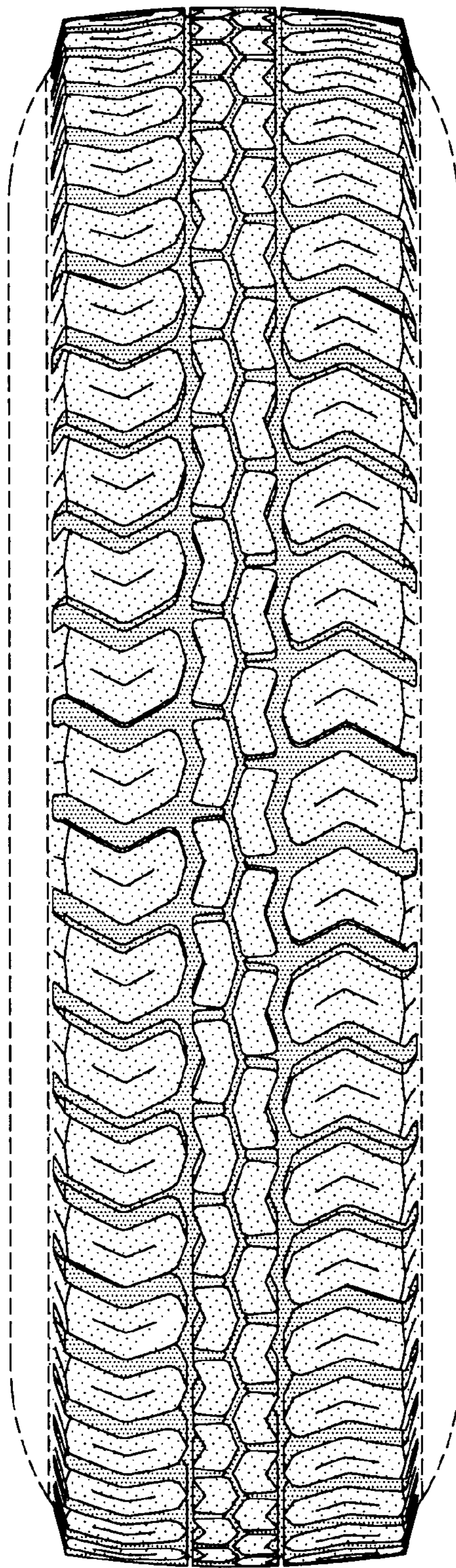


FIG-2

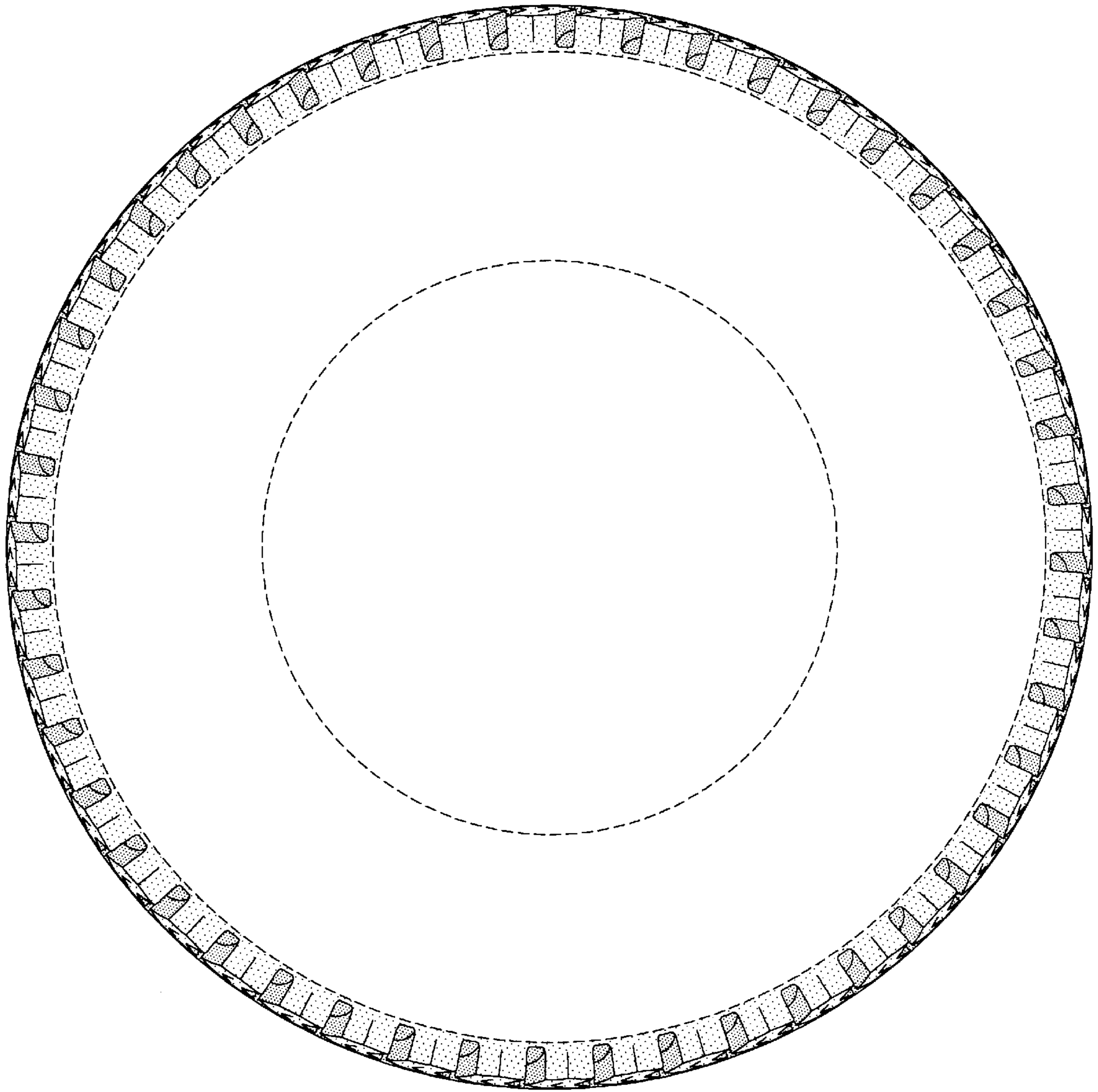


FIG-3

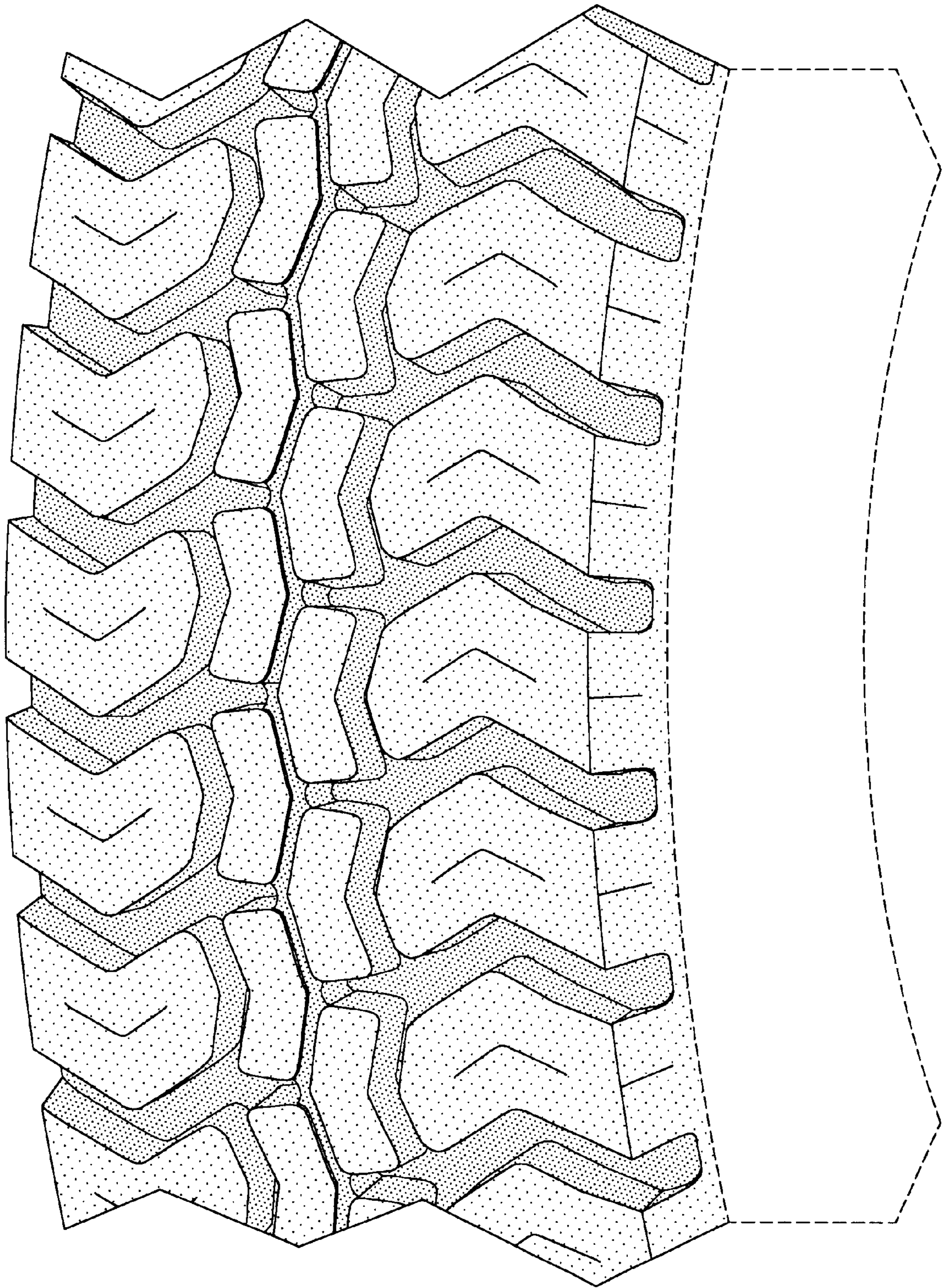


FIG-4