



US00D417417S

United States Patent [19]

Keegan et al.

[11] Patent Number: **Des. 417,417**

[45] Date of Patent: **** Dec. 7, 1999**

[54] **BABY WALKER**

D. 305,750 1/1990 Cone D12/130

[75] Inventors: **Charles H. Keegan**, Pawtucket, R.I.;
Brian C. Sundberg, Franklin; **Michael I. Lerner**, Boston, both of Mass.

Primary Examiner—Kay H. Chin
Attorney, Agent, or Firm—Wolf, Greenfield & Sacks, P.C.

[73] Assignee: **Safety 1st, Inc.**, Chestnut Hill, Mass.

[57] CLAIM

[**] Term: **14 Years**

The ornamental design for a baby walker, as shown.

[21] Appl. No.: **29/093,816**

DESCRIPTION

[22] Filed: **Sep. 18, 1998**

FIG. 1 is a perspective view of a baby walker embodying our design;

[51] **LOC (6) Cl.** **12-12**

FIG. 2 is a front elevation view thereof;

[52] **U.S. Cl.** **D12/130; D6/339**

FIG. 3 is a rear elevation view thereof;

[58] **Field of Search** D12/128, 129,
D12/130, 133; D21/533, 534, 535, 536;
297/5, 6; 280/87.051

FIG. 4 is a right side view thereof, the left side view being a substantial mirror image thereof; and,

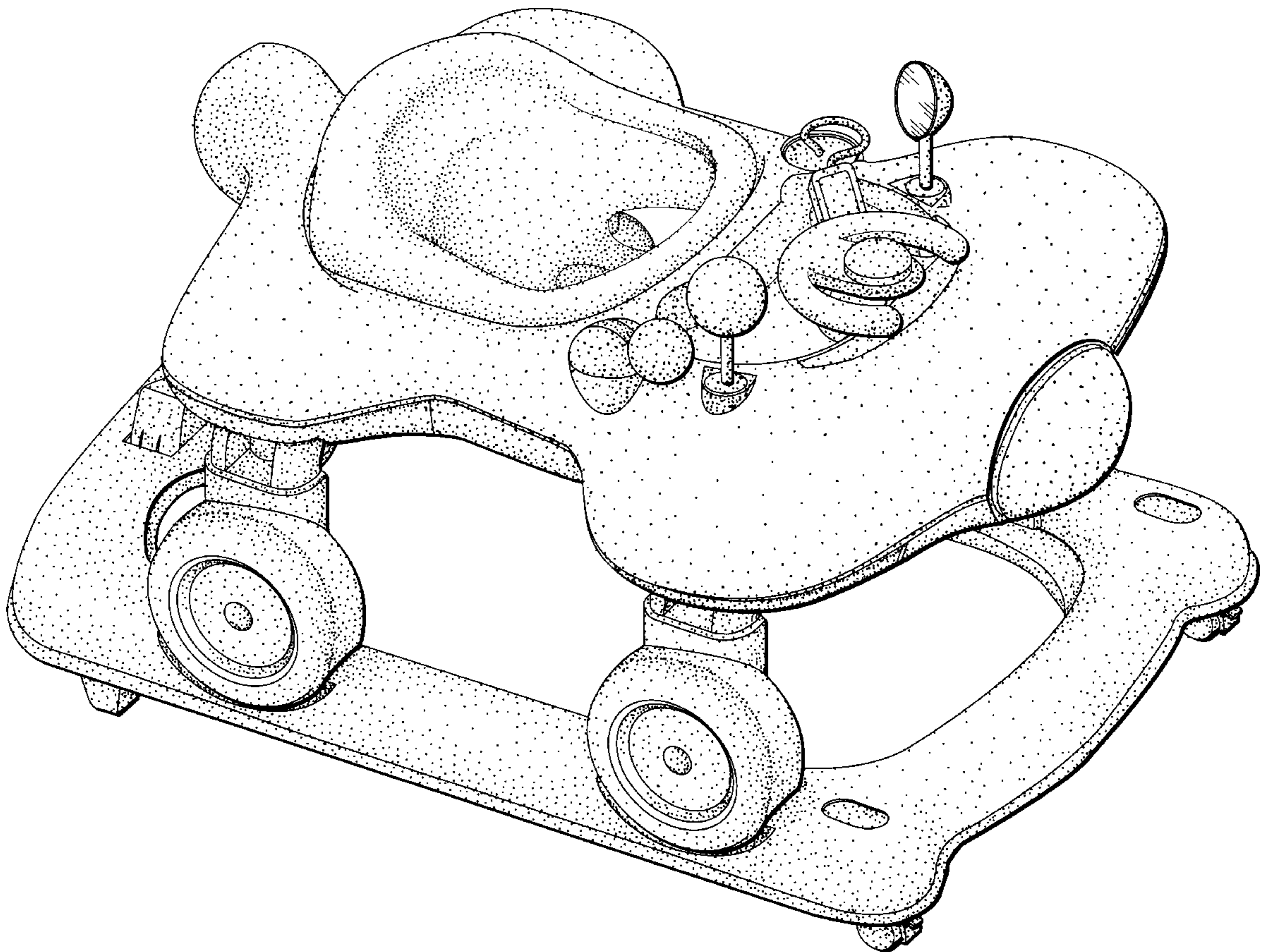
FIG. 5 is a top plan view thereof.

[56] References Cited

U.S. PATENT DOCUMENTS

D. 305,108 12/1989 Blumenthal D12/130

1 Claim, 5 Drawing Sheets



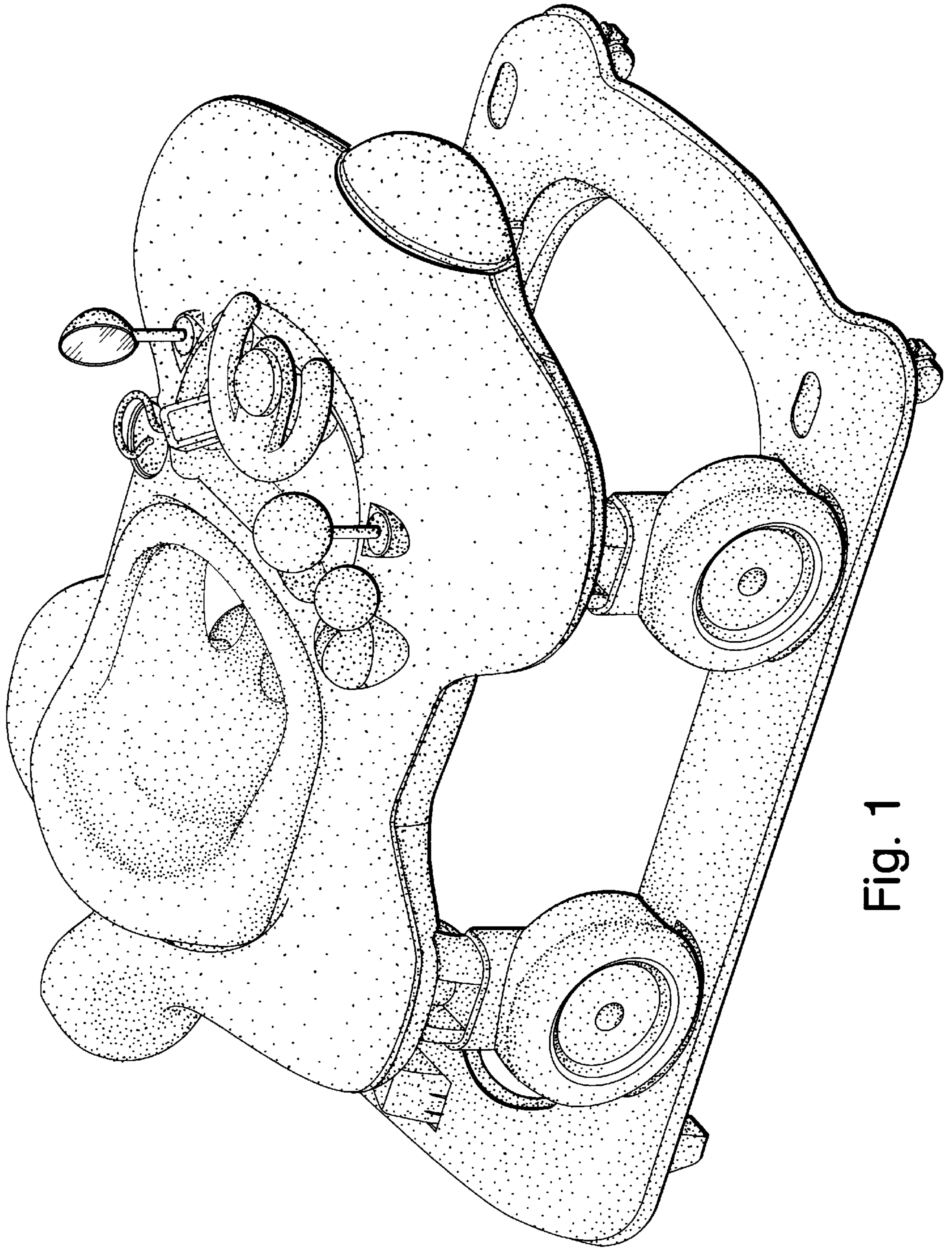


Fig. 1

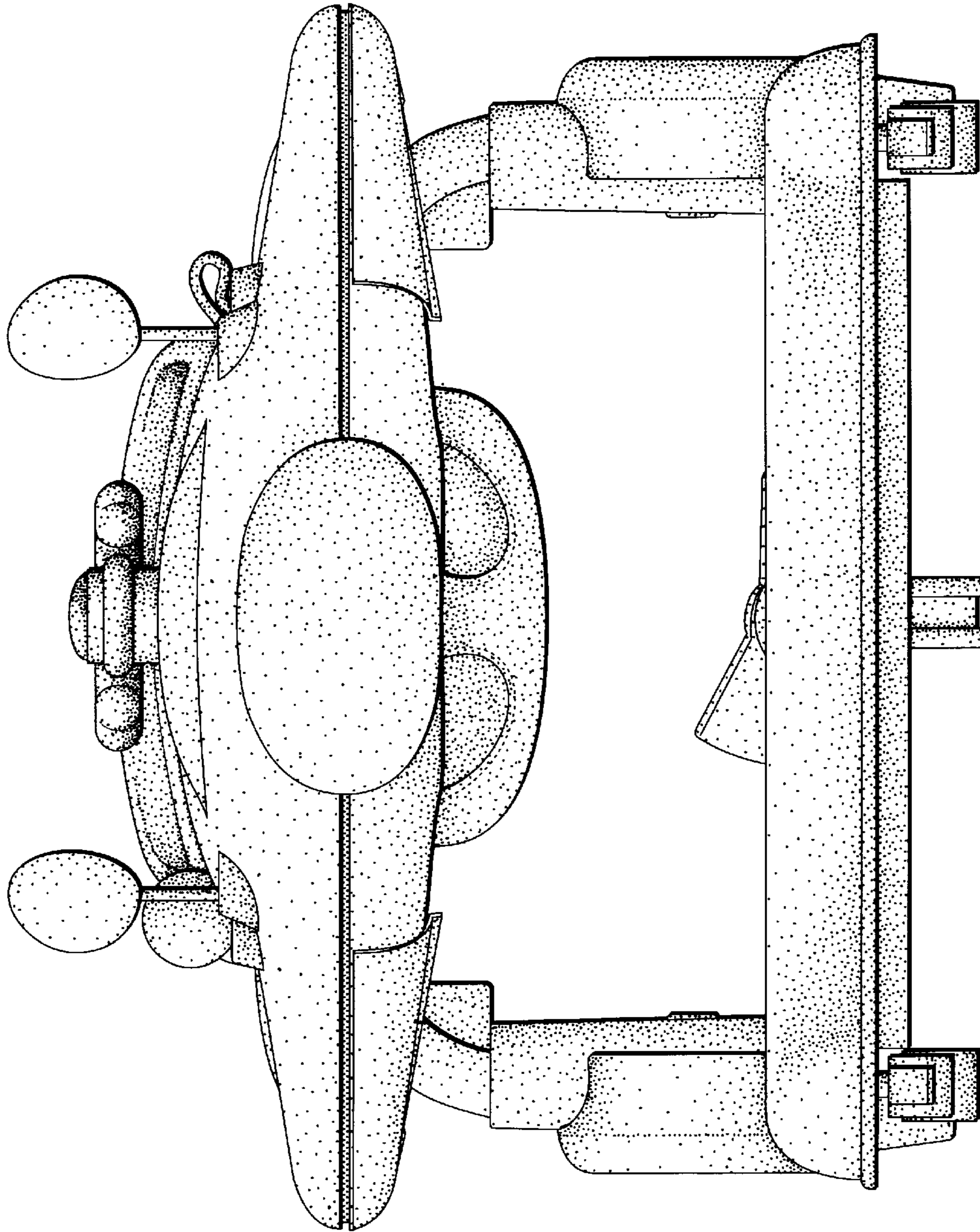


Fig. 2

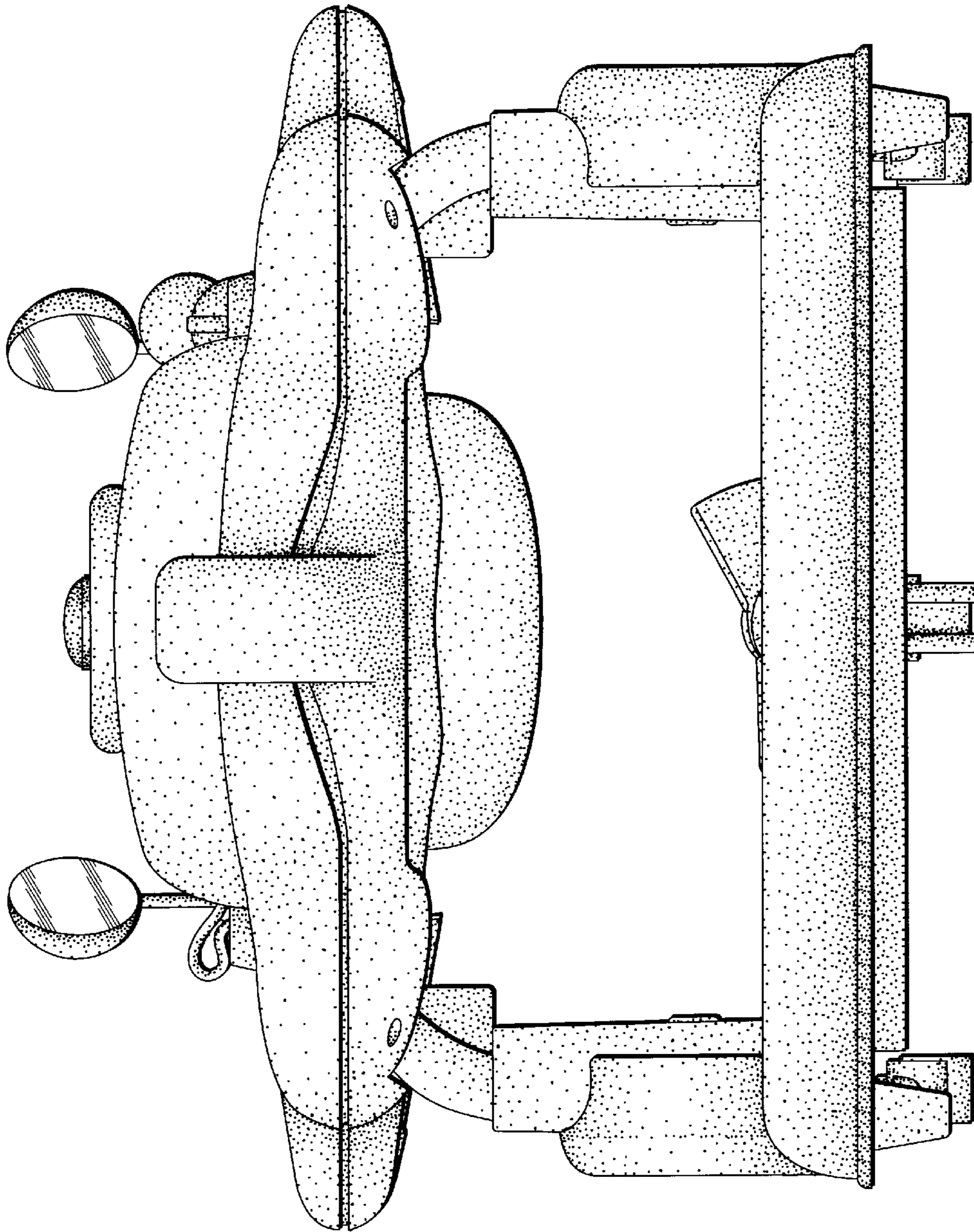


Fig. 3

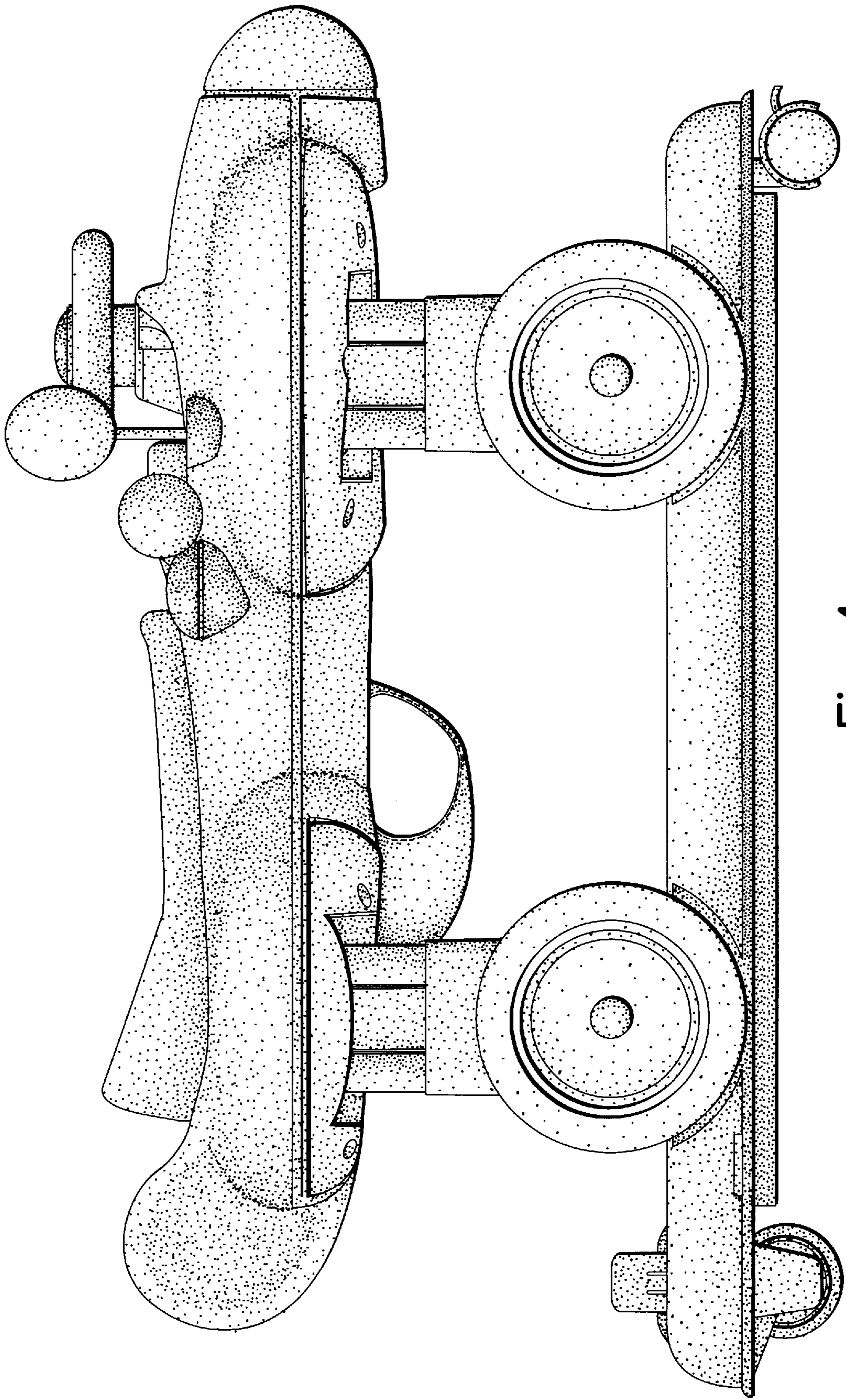


Fig. 4

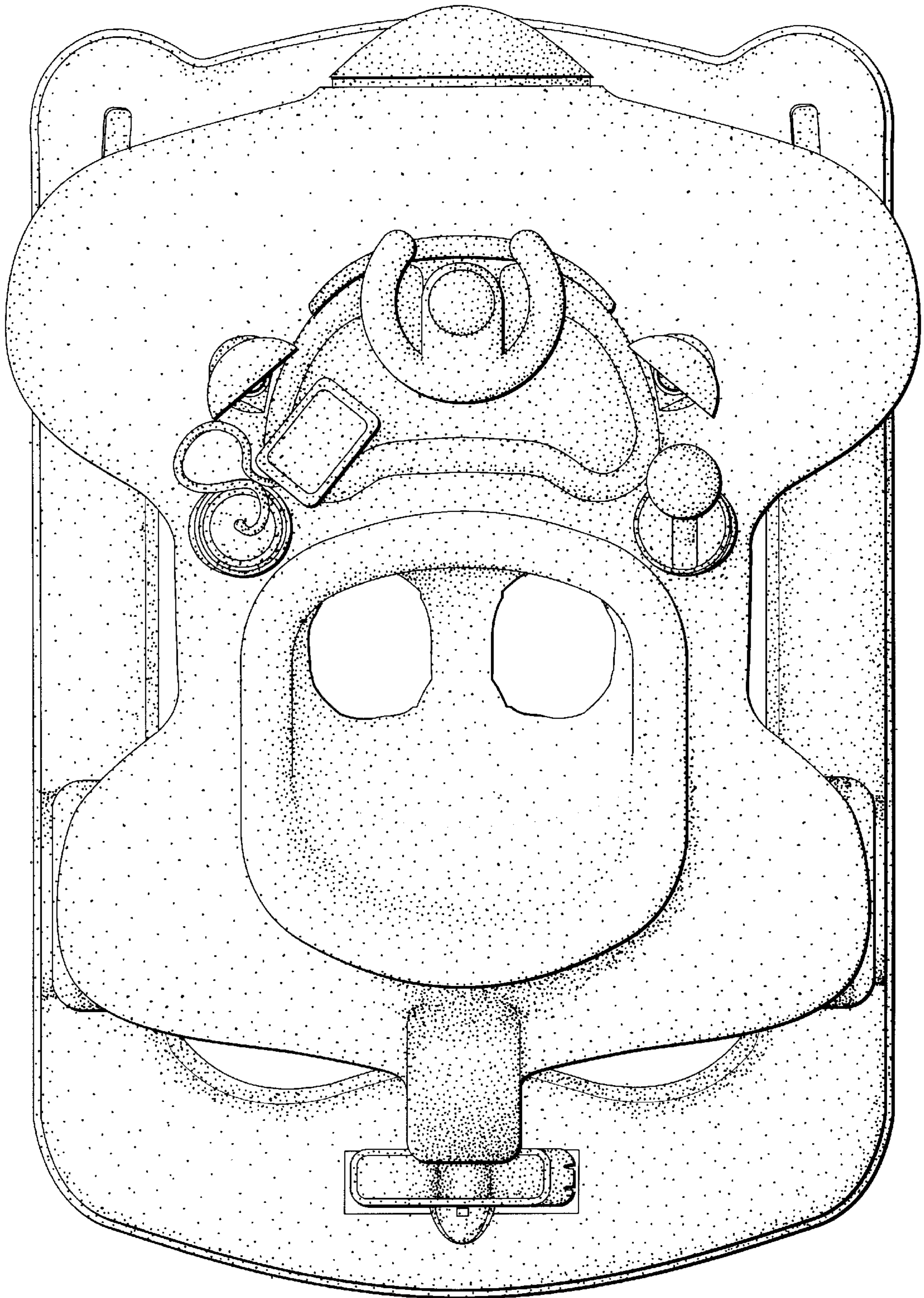


Fig. 5