



US00D417415S

United States Patent [19]
Hoagland, IV

[11] **Patent Number: Des. 417,415**
[45] **Date of Patent: ** Dec. 7, 1999**

[54] **MOTORCYCLE**

[76] **Inventor: Calvin C. Hoagland, IV**, 6 Widewater Rd., Hilton Head Island, S.C. 29926-2021

[**] **Term: 14 Years**

[21] **Appl. No.: 29/094,287**

[22] **Filed: Sep. 29, 1998**

Related U.S. Application Data

[62] Division of application No. 29/079,711, Nov. 21, 1997, which is a division of application No. 29/058,301, Jul. 11, 1996, Pat. No. Des. 390,507.

[51] **LOC (6) Cl. 12-11**
[52] **U.S. Cl. D12/110**
[58] **Field of Search D12/110; 180/219**

[56] **References Cited**

U.S. PATENT DOCUMENTS

- D. 51,851 11/1918 Bloom .
- D. 58,301 7/1921 Hoagland, IV D12/110
- D. 58,630 8/1921 Ruckman .
- D. 104,786 7/1937 Lumiere .
- D. 149,122 10/1948 Goodwin .
- D. 178,648 9/1956 Collura .
- D. 190,025 4/1961 Stortz .
- D. 192,852 5/1962 Walker .
- D. 246,038 10/1977 Moller .
- D. 250,152 11/1978 Blockson D6/354
- D. 250,467 12/1978 O'Banion D12/197
- D. 258,854 4/1981 Berg D6/354
- D. 264,574 5/1982 Kurishima et al. D12/110
- D. 266,167 9/1982 Lindbrandt .
- D. 266,833 11/1982 Wharton .
- D. 273,373 4/1984 Levine et al. .
- D. 273,825 5/1984 Persons D6/354
- D. 281,932 12/1985 Schneider D6/354
- D. 292,454 10/1987 Rykken D6/354

- D. 301,409 6/1989 Deckett D6/354
- D. 332,838 1/1993 Lu .
- D. 333,806 3/1993 Davidson D12/110
- D. 340,513 10/1993 Stahel, II et al. D12/114
- D. 348,645 7/1994 Hitchcock et al. D12/197
- D. 353,357 12/1994 Weinberg et al. D12/197
- D. 354,460 1/1995 Davidson et al. D12/126
- D. 363,259 10/1995 Davidson et al. D12/126
- D. 375,425 11/1996 Gale D6/354
- D. 388,366 12/1997 Nishino D12/110
- 618,634 1/1899 Young et al. .
- 3,021,757 9/1962 Ellis, Jr. .
- 3,754,787 8/1973 Garber 297/195.1
- 5,109,942 5/1992 Akimori et al. 180/219
- 5,419,625 5/1995 Iwase et al. 180/219

OTHER PUBLICATIONS

Harley-Davidson, 1994 Motorcycles, brochure.
Drag Specialties Catalog, 1995, p. 160, the two wheel thunder aluminum performance air cleaners.
Cycle World p. 83 lower half of page, Jun. 1996.
Cycle World p. 79 lower half of page, Aug. 1996.

Primary Examiner—Pamela Burgess
Attorney, Agent, or Firm—Jacobson, Price, Holman & Stern, PLLC

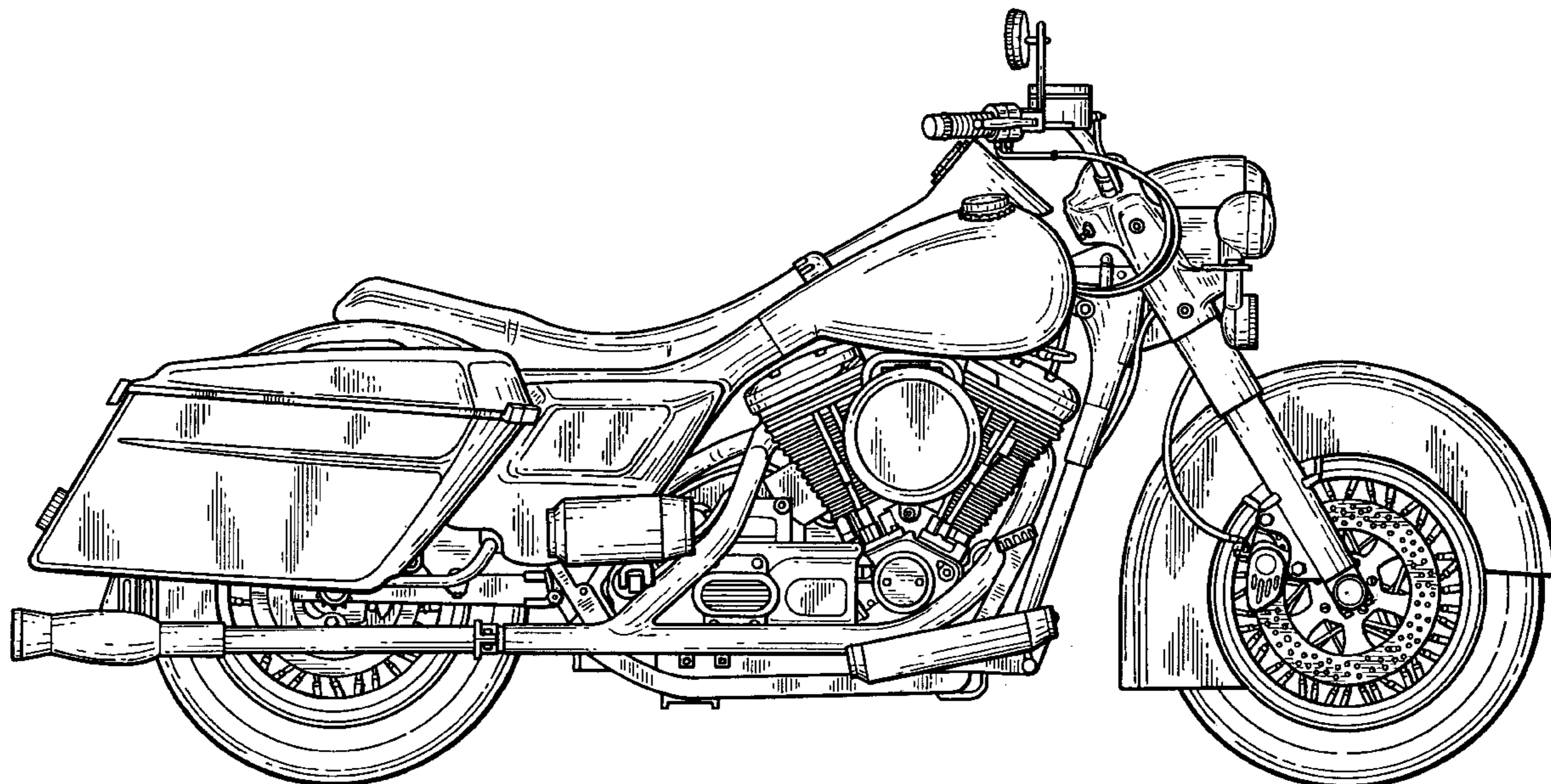
[57] **CLAIM**

The ornamental design for a motorcycle, as shown and described.

DESCRIPTION

FIG. 1 is a right side elevational view showing my new design for a motorcycle,
FIG. 2 is a left side elevational view thereof,
FIG. 3 is a front view thereof,
FIG. 4 is a rear view thereof,
FIG. 5 is a top plan view thereof; and,
FIG. 6 is a bottom view thereof.

1 Claim, 5 Drawing Sheets



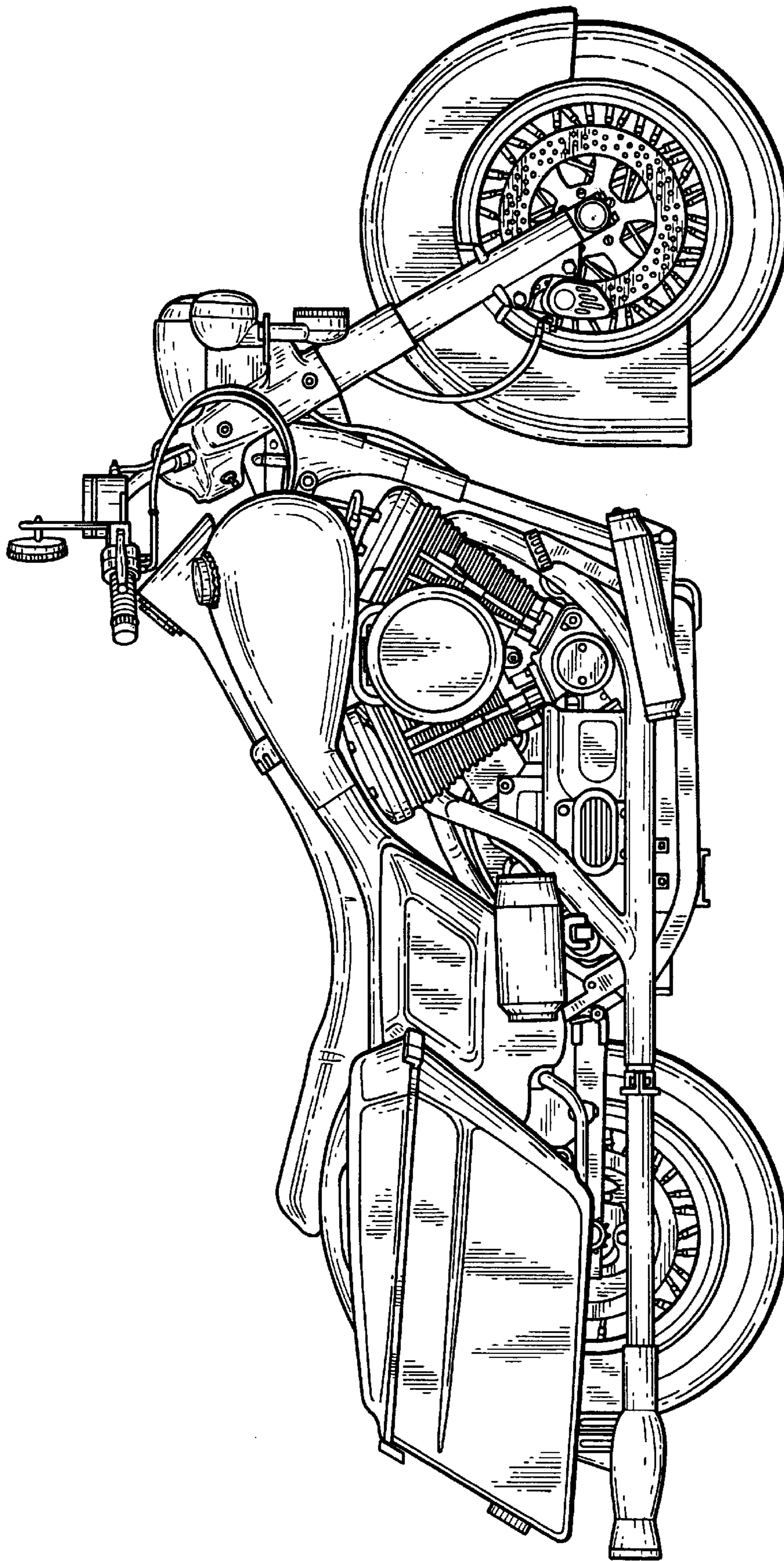


FIG. 1

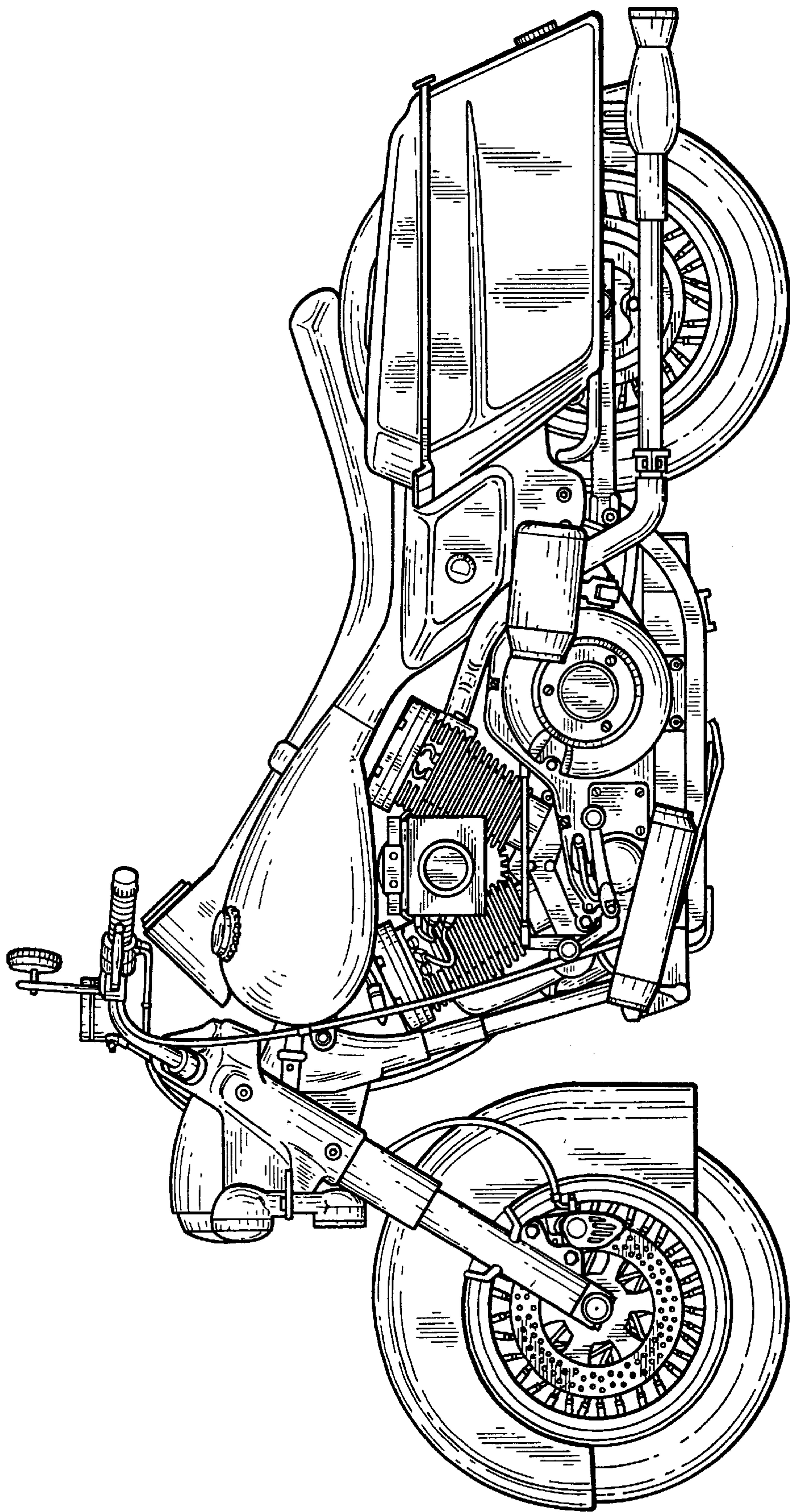


FIG. 2

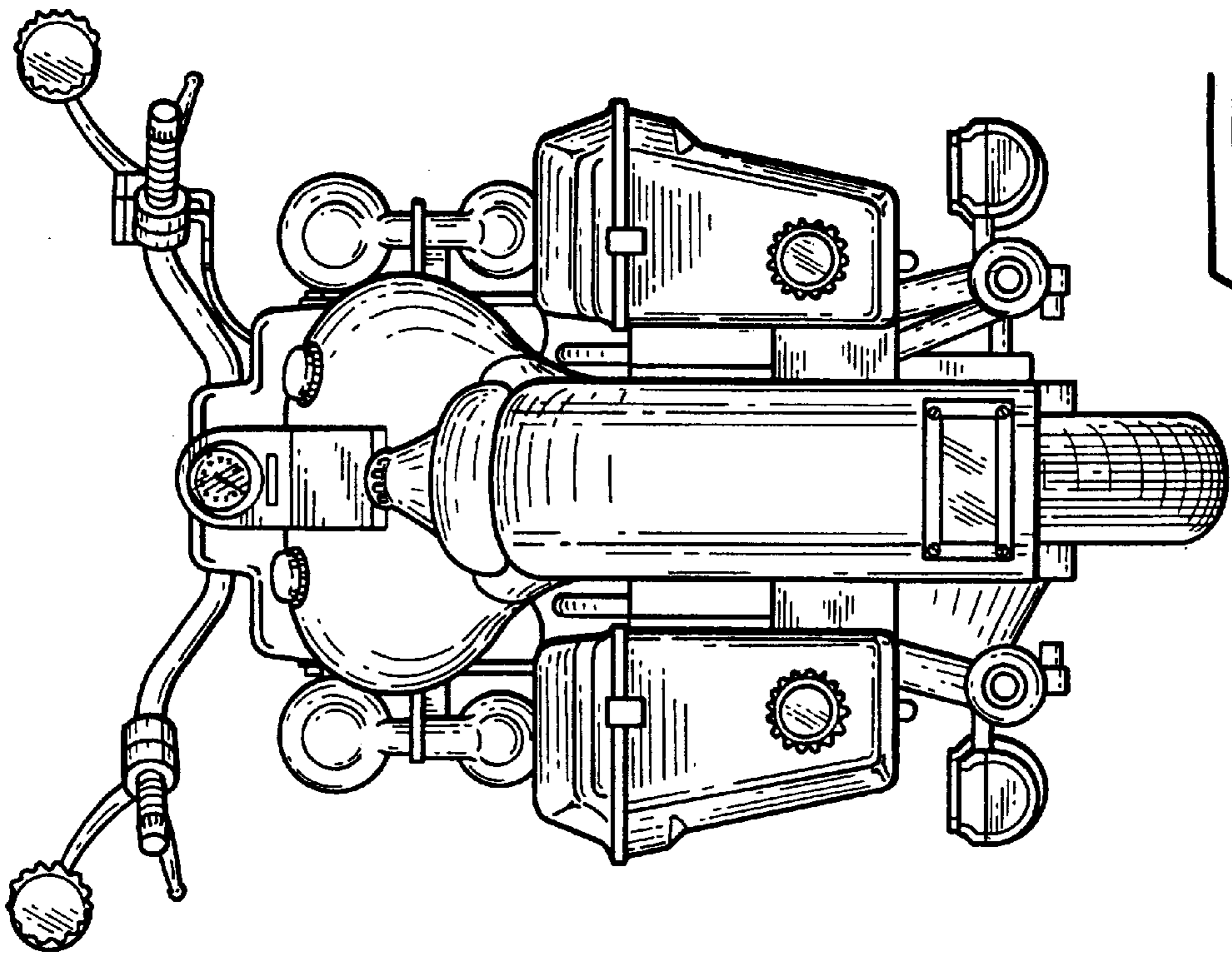


FIG. 4

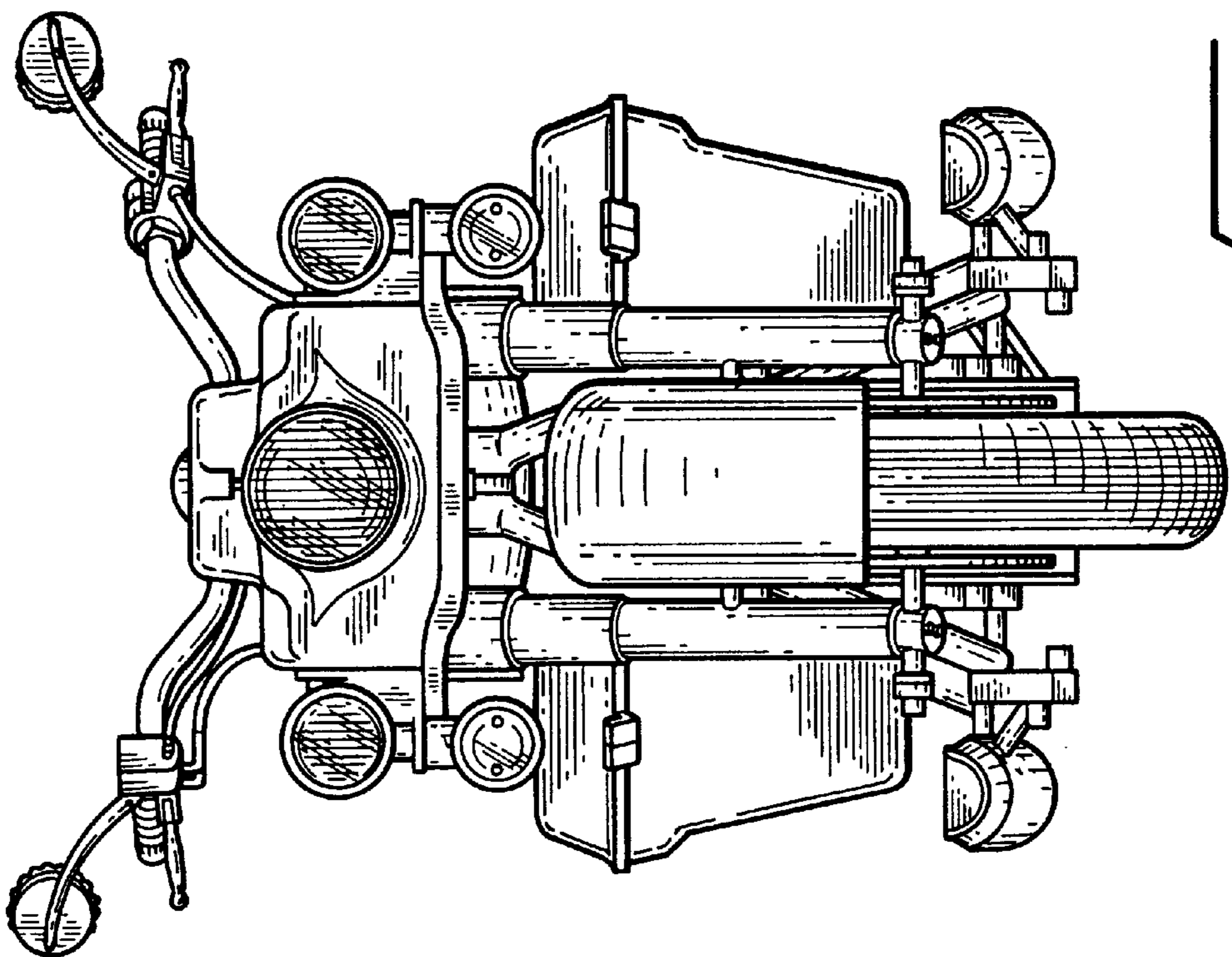


FIG. 5

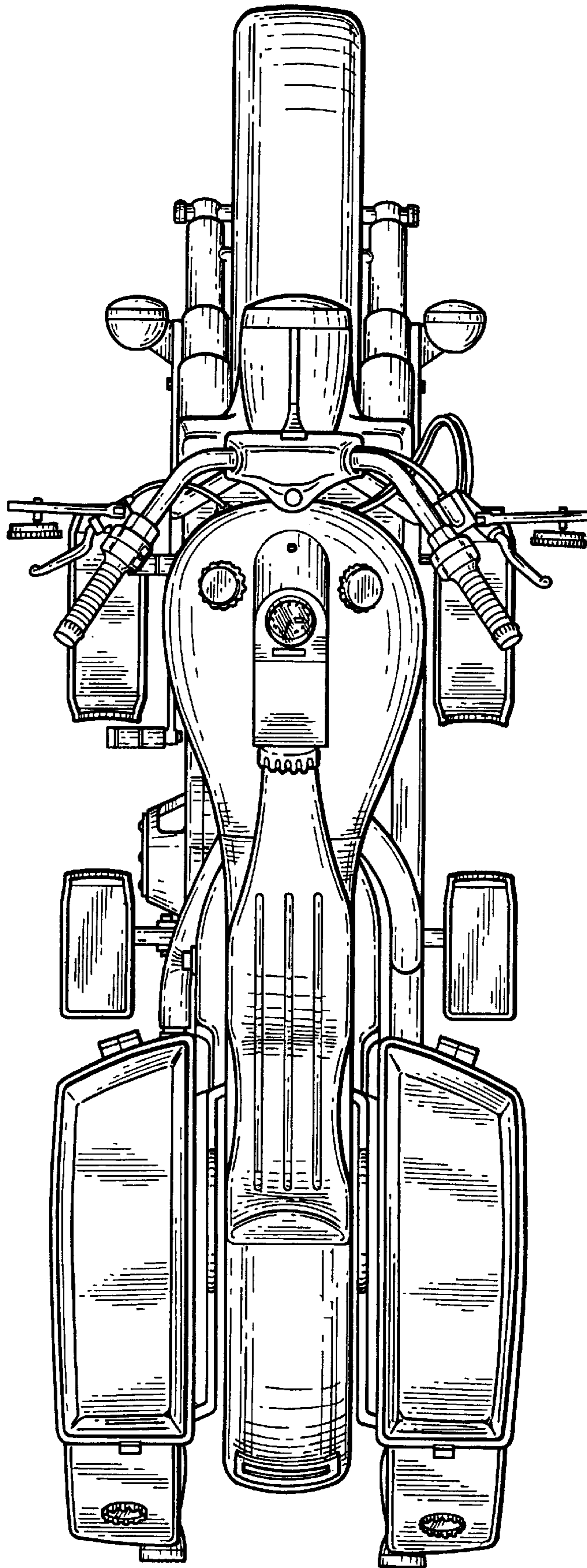


FIG. 5

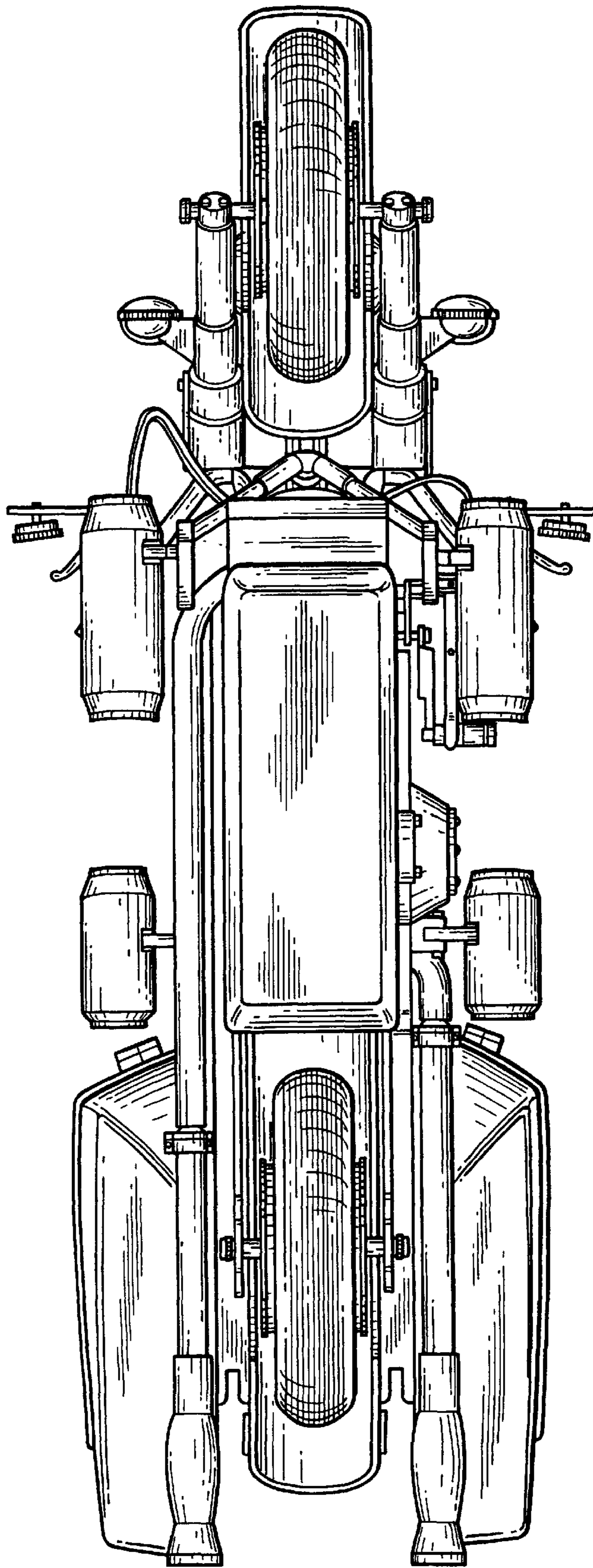


FIG. 6