



US00D417410S

# United States Patent [19]

[11] **Patent Number: Des. 417,410**

**De Tracy et al.**

[45] **Date of Patent: \*\* Dec. 7, 1999**

[54] **COMBINED PET RECEIVER COLLAR AND TRANSMITTER**

D. 385,502 10/1997 Zanman ..... D10/104

[76] Inventors: **Larry H De Tracy; Roxanne De Tracy**, both of 1142 SE. 209th, Gresham, Oreg. 97030

*Primary Examiner*—Marcus A. Jackson

[\*\*] Term: **14 Years**

### [57] CLAIM

[21] Appl. No.: **29/102,425**

The ornamental design for a combined pet receiver collar and transmitter, as shown.

[22] Filed: **Mar. 25, 1999**

### DESCRIPTION

[51] **LOC (6) Cl.** ..... **10-05**

FIG. 1 is a front elevational view of a combined pet receiver collar and transmitter of the present invention; FIG. 2 is a back elevational view of a combined pet receiver collar and transmitter of FIG. 1; FIG. 3 is a left side elevational view of a combined pet receiver collar and transmitter of FIG. 1; FIG. 4 is a right side elevational view of a combined pet receiver collar and transmitter of FIG. 1; FIG. 5 is a top plan view of a combined pet receiver collar and transmitter of FIG. 1; and, FIG. 6 is a bottom plan view of a combined pet receiver collar and transmitter of FIG. 1.

[52] **U.S. Cl.** ..... **D10/104**

[58] **Field of Search** ..... D10/104, 106, D10/116, 121; 340/540, 545, 548, 571, 572, 573; D14/155

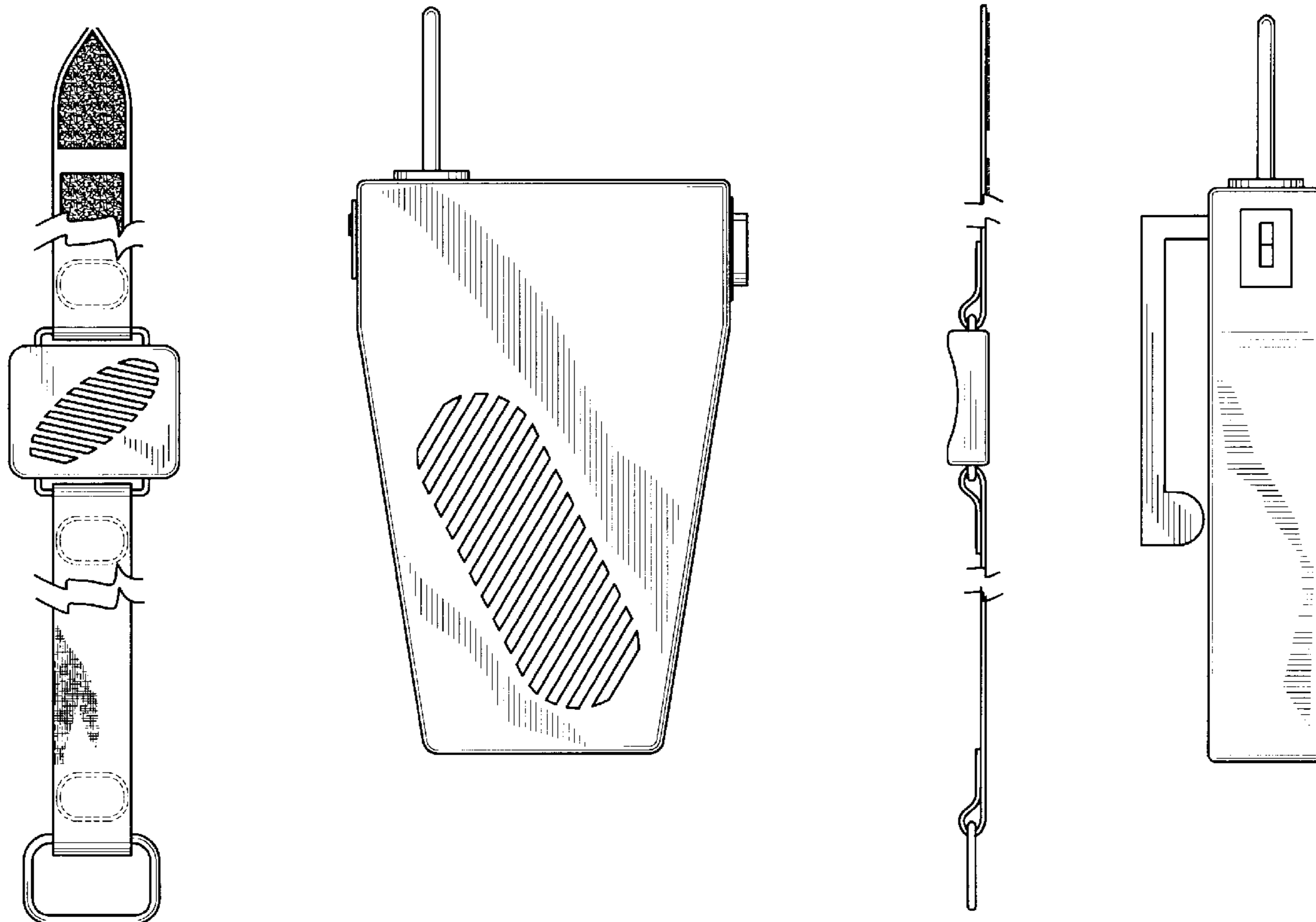
### [56] References Cited

#### U.S. PATENT DOCUMENTS

- D. 330,522 10/1992 Mokhtarian ..... D10/104
- D. 377,618 1/1997 Yarbrough ..... D10/104
- D. 380,691 7/1997 Heun ..... D10/104
- D. 380,692 7/1997 Heun ..... D10/104
- D. 381,922 8/1997 Casperson ..... D10/104
- D. 383,077 9/1997 Peyton et al. .... D10/104

The strap portion is broken away to indicate indeterminate length and with the broken line showing for illustrative purposes only and forming no part of the claimed design.

**1 Claim, 3 Drawing Sheets**



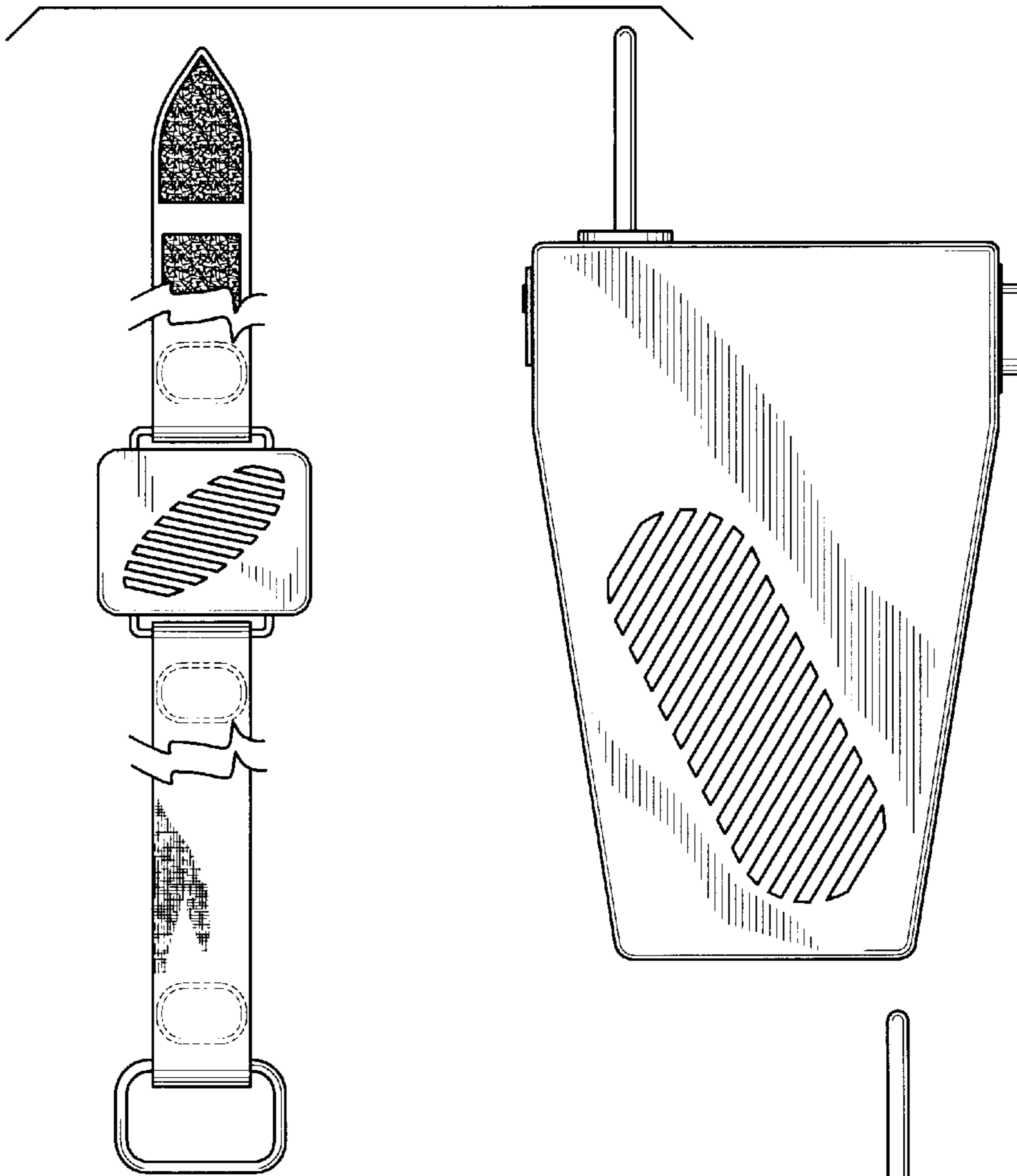


FIG. 1

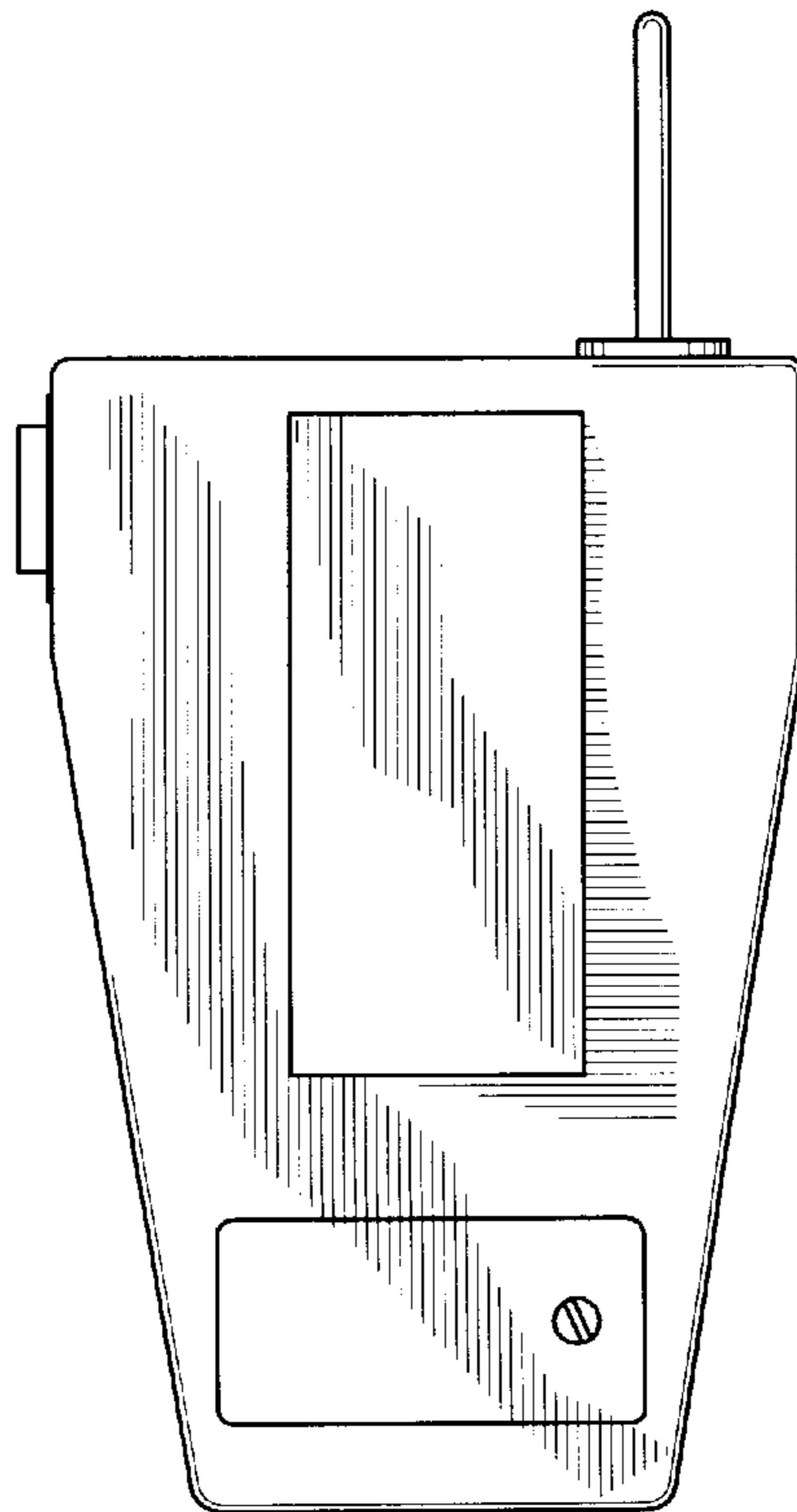
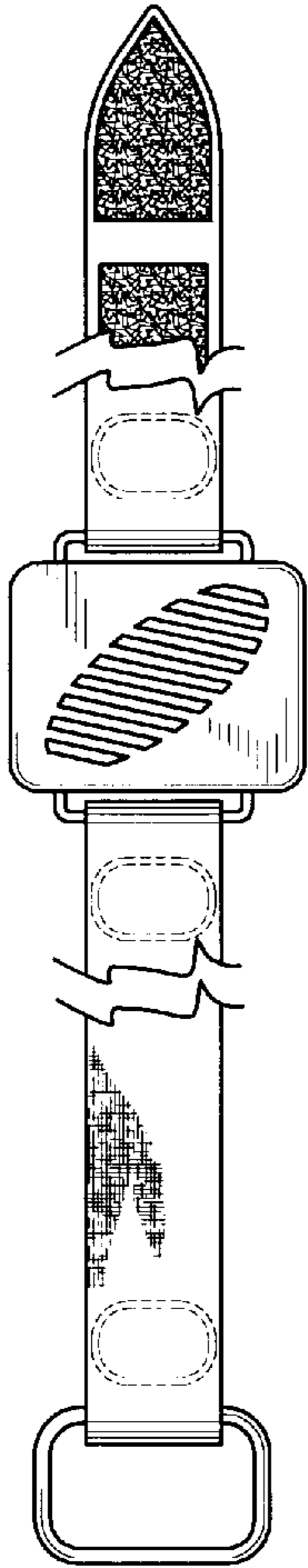
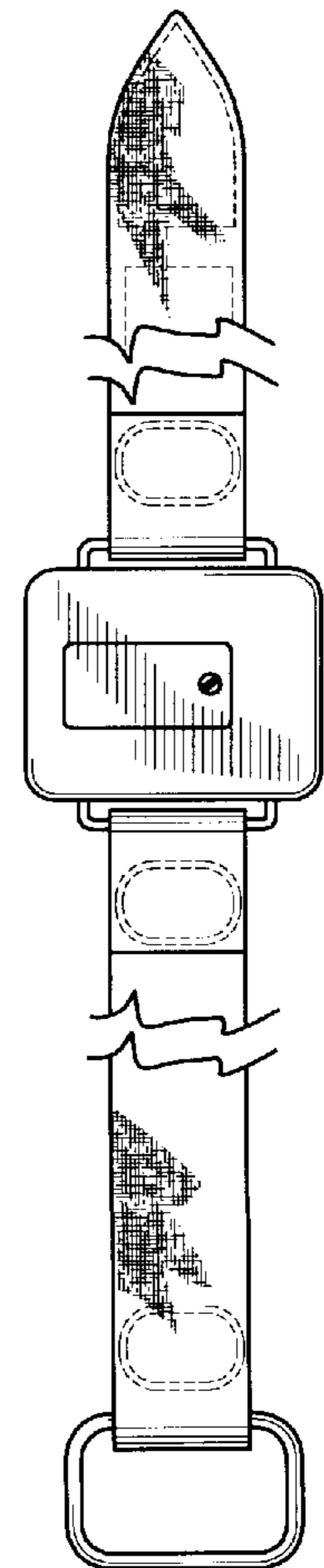


FIG. 2



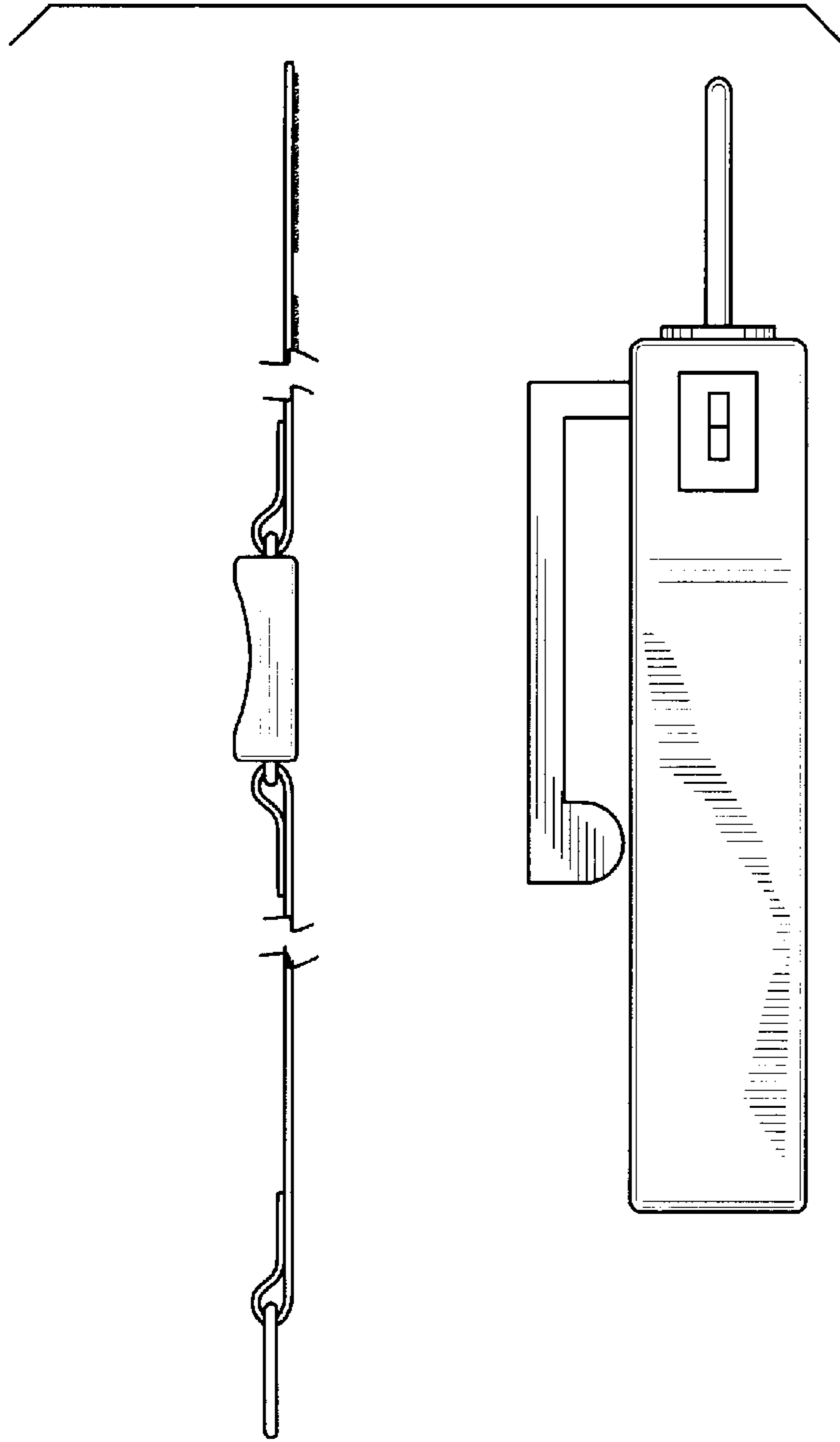


FIG. 3

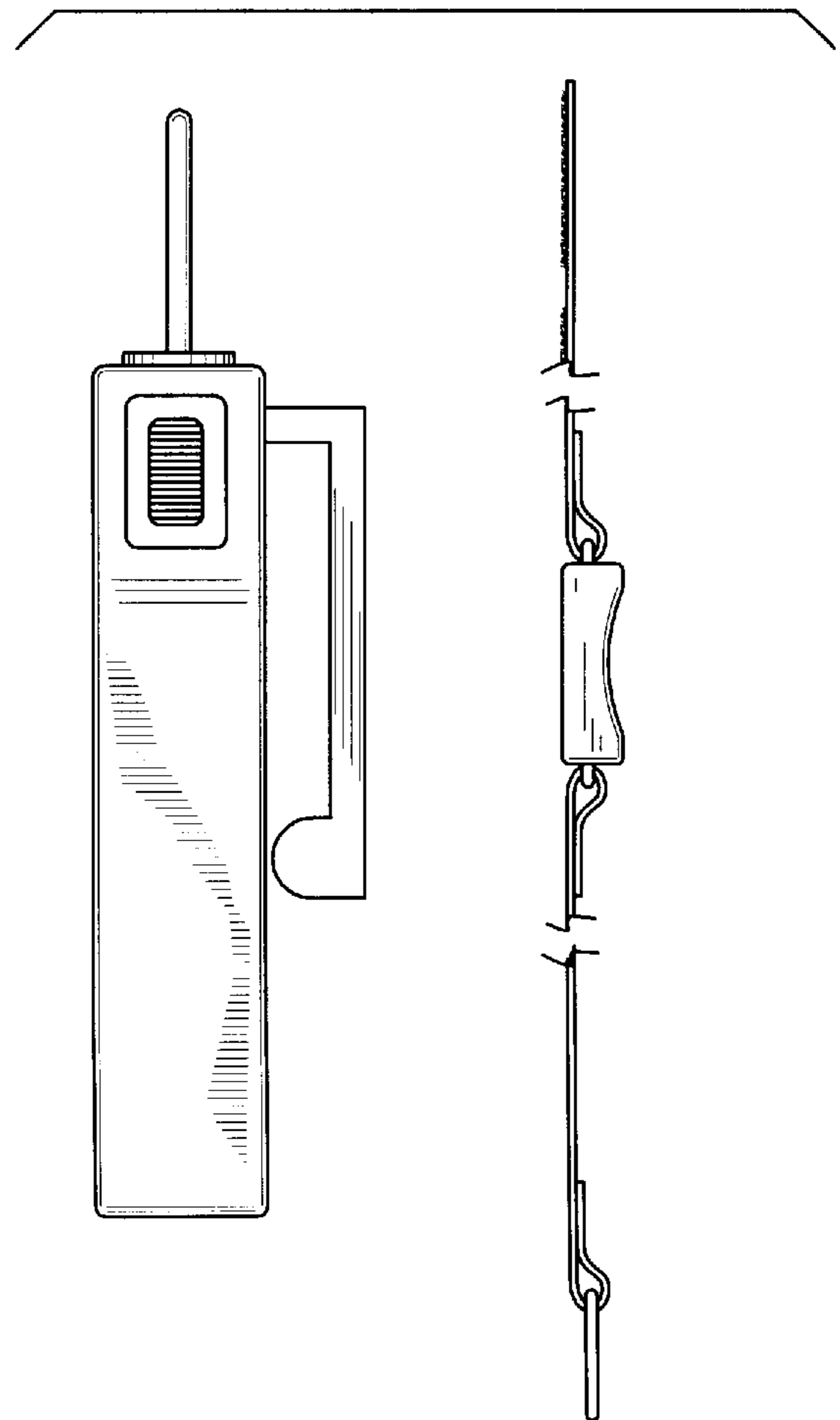


FIG. 4

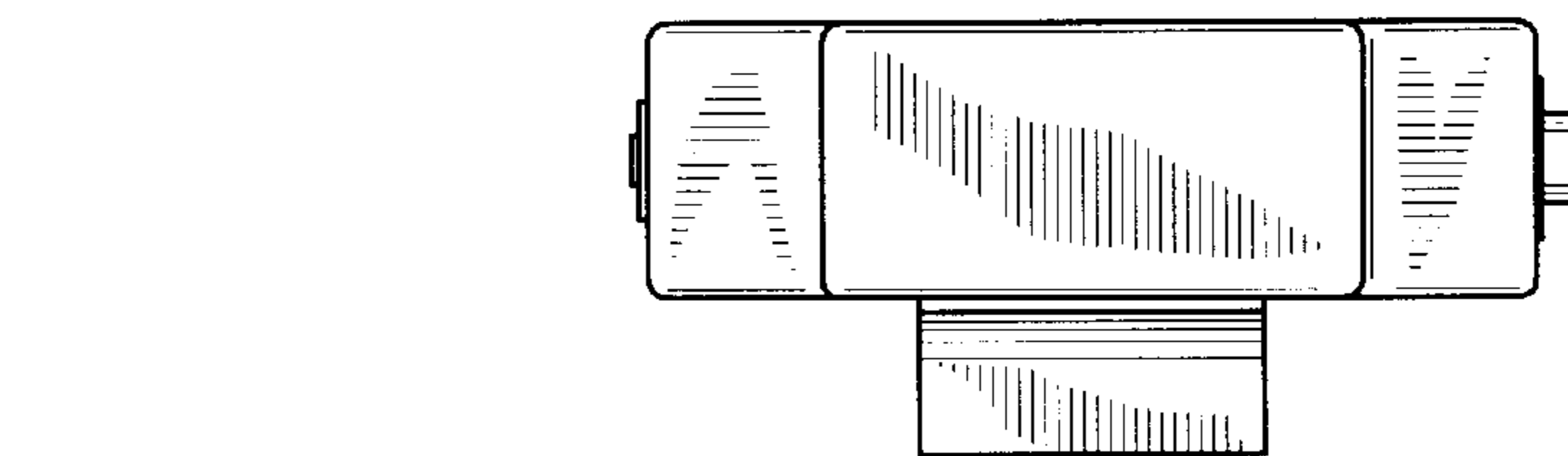
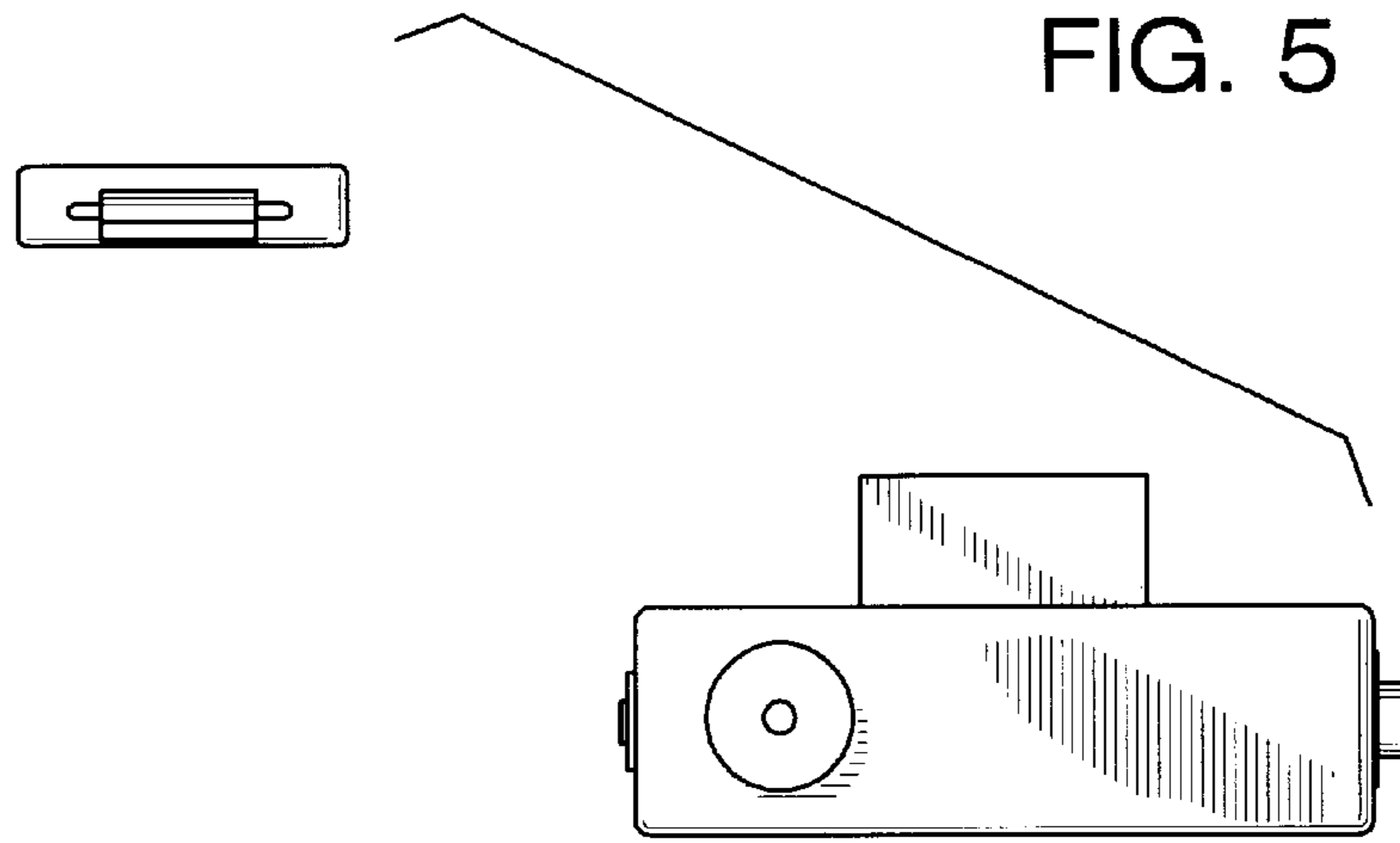


FIG. 6