



US00D417408S

# United States Patent [19] Rigoli

[11] **Patent Number: Des. 417,408**

[45] **Date of Patent: \*\* Dec. 7, 1999**

[54] **LIQUID CHROMATOGRAPHY COLUMN**

[75] Inventor: **Michael J. Rigoli**, Wrentham, Mass.

[73] Assignee: **Isolation Technologies Inc.**, Hopedale, Mass.

[\*\*] Term: **14 Years**

[21] Appl. No.: **29/094,011**

[22] Filed: **Sep. 23, 1998**

[51] **LOC (6) Cl. .... 10-04**

[52] **U.S. Cl. .... D10/81; D10/78**

[58] **Field of Search .... D10/78, 81; 96/105; 210/198.2, 635**

[56] **References Cited**

**U.S. PATENT DOCUMENTS**

- D. 285,290 8/1986 Shalon et al. .... D10/81
- D. 320,949 10/1991 Kopf ..... D10/81

*Primary Examiner*—Antoine Duval Davis  
*Attorney, Agent, or Firm*—Scott B. Garrison; Lambert & Garrison PLLC

[57] **CLAIM**

The ornamental design of a liquid chromatography column, as shown and described.

**DESCRIPTION**

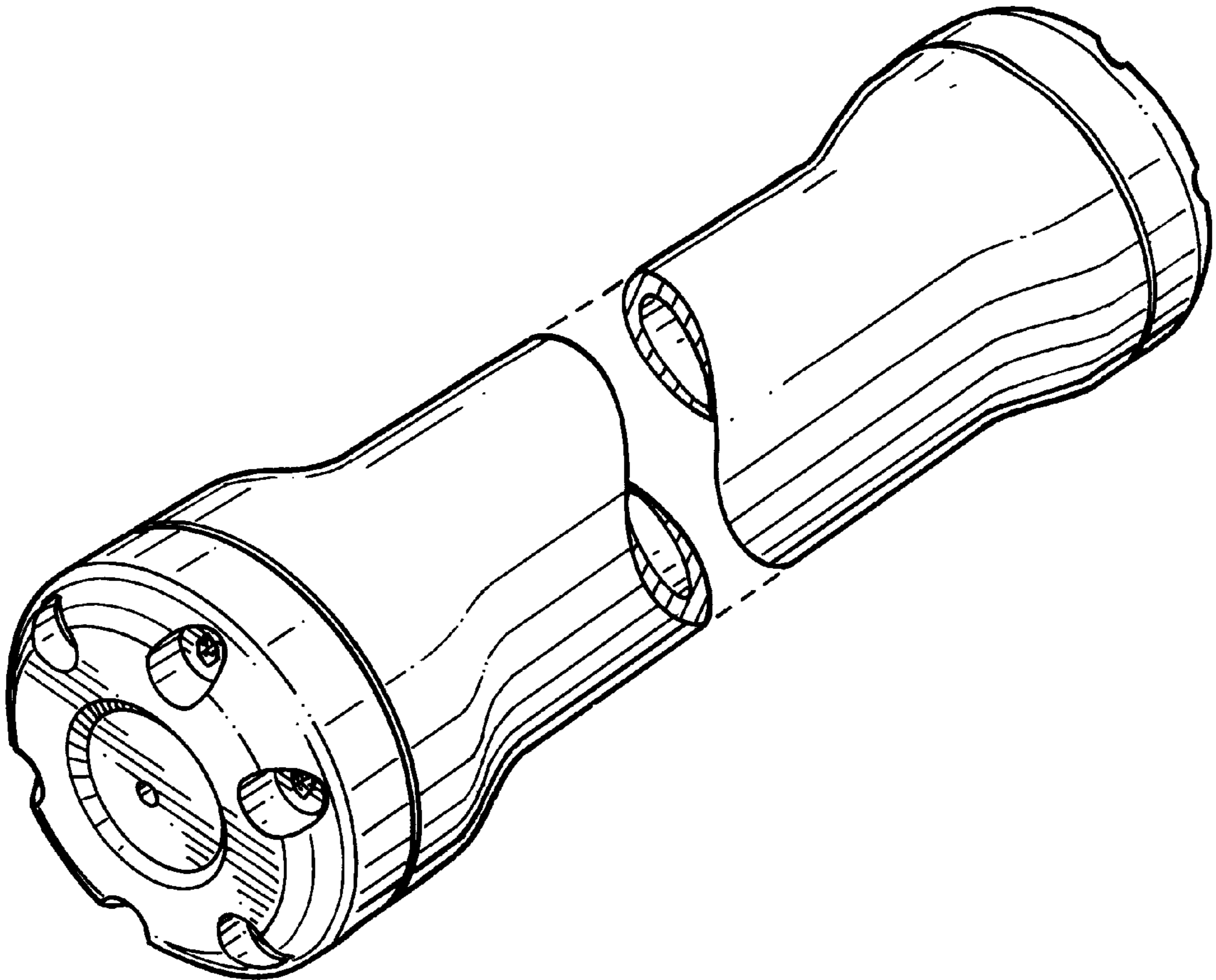
FIG. 1 is a three quarter perspective view of a liquid chromatography column showing my new design, the break signifying a column of varying length;

FIG. 2 is an end elevation thereof, the opposing end being identical;

FIG. 3 is a side elevation thereof, all sides being identical; and,

FIG. 4 is a shorter three quarter perspective view of the FIG. 1 column.

**1 Claim, 2 Drawing Sheets**



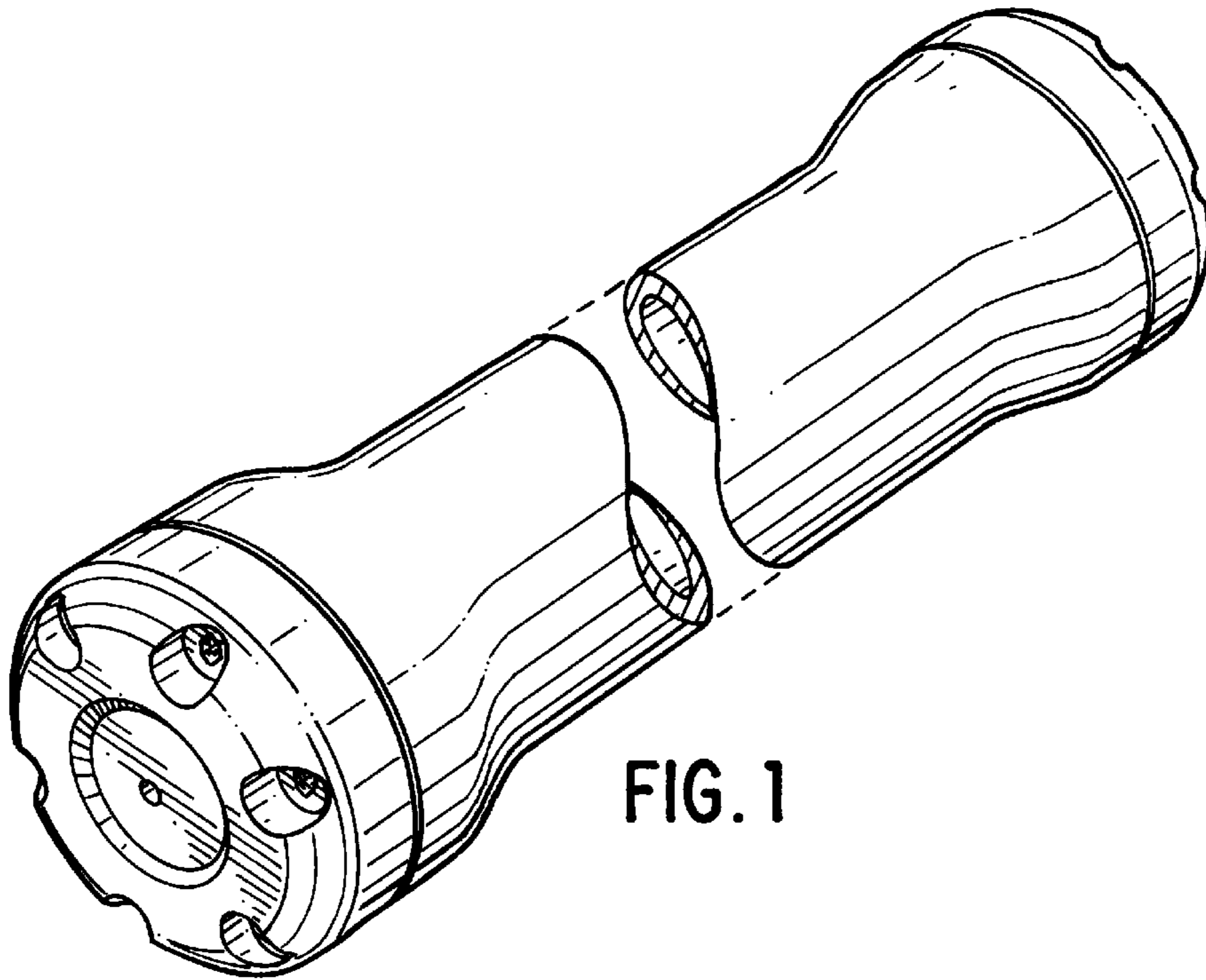


FIG. 1

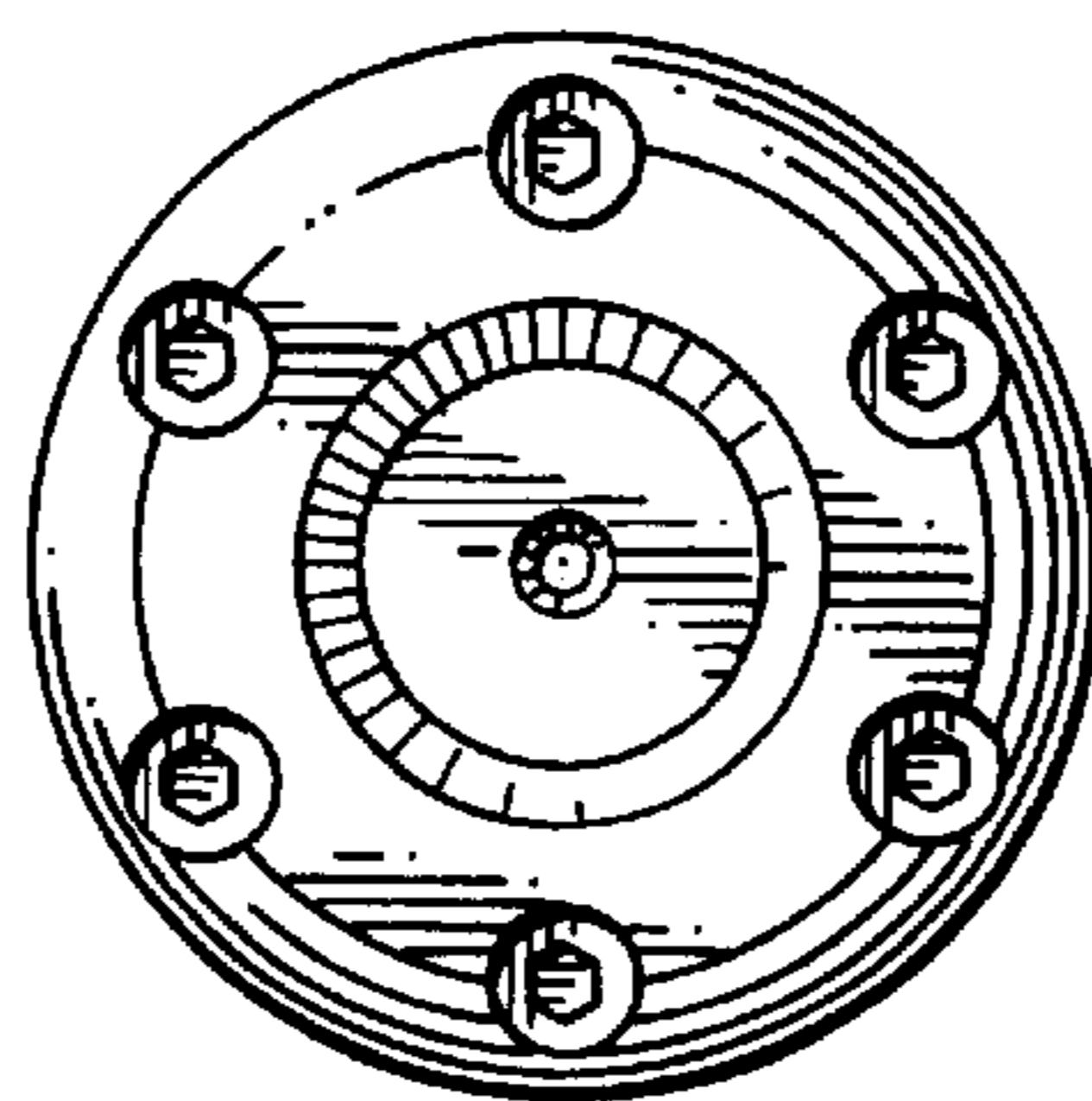


FIG. 2

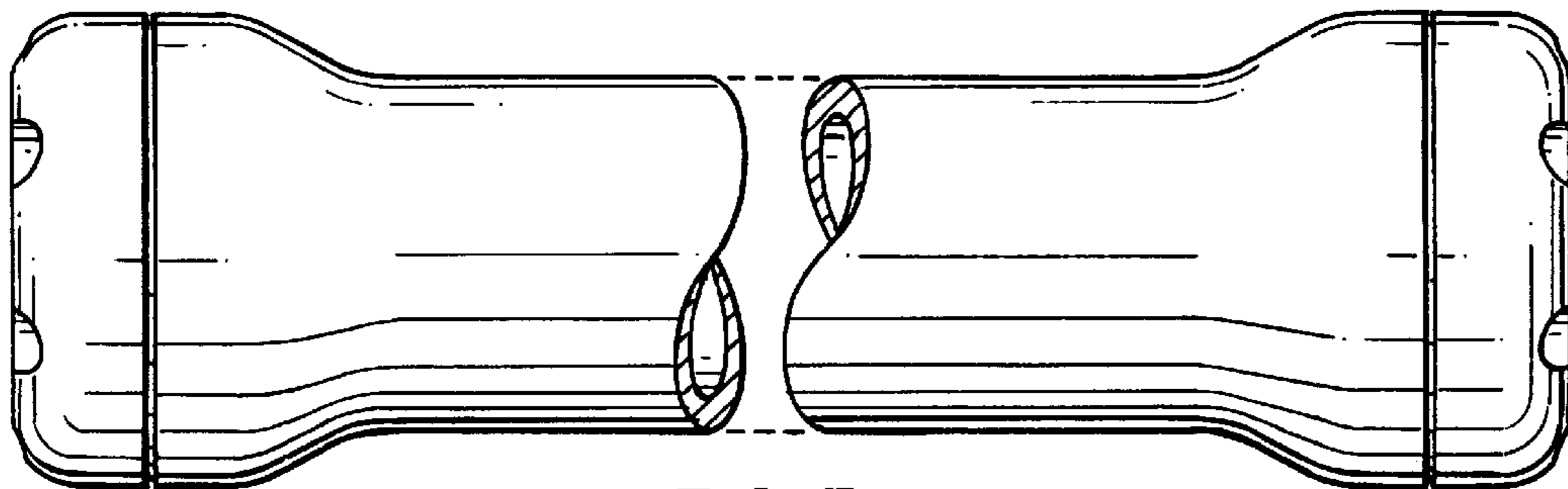


FIG. 3

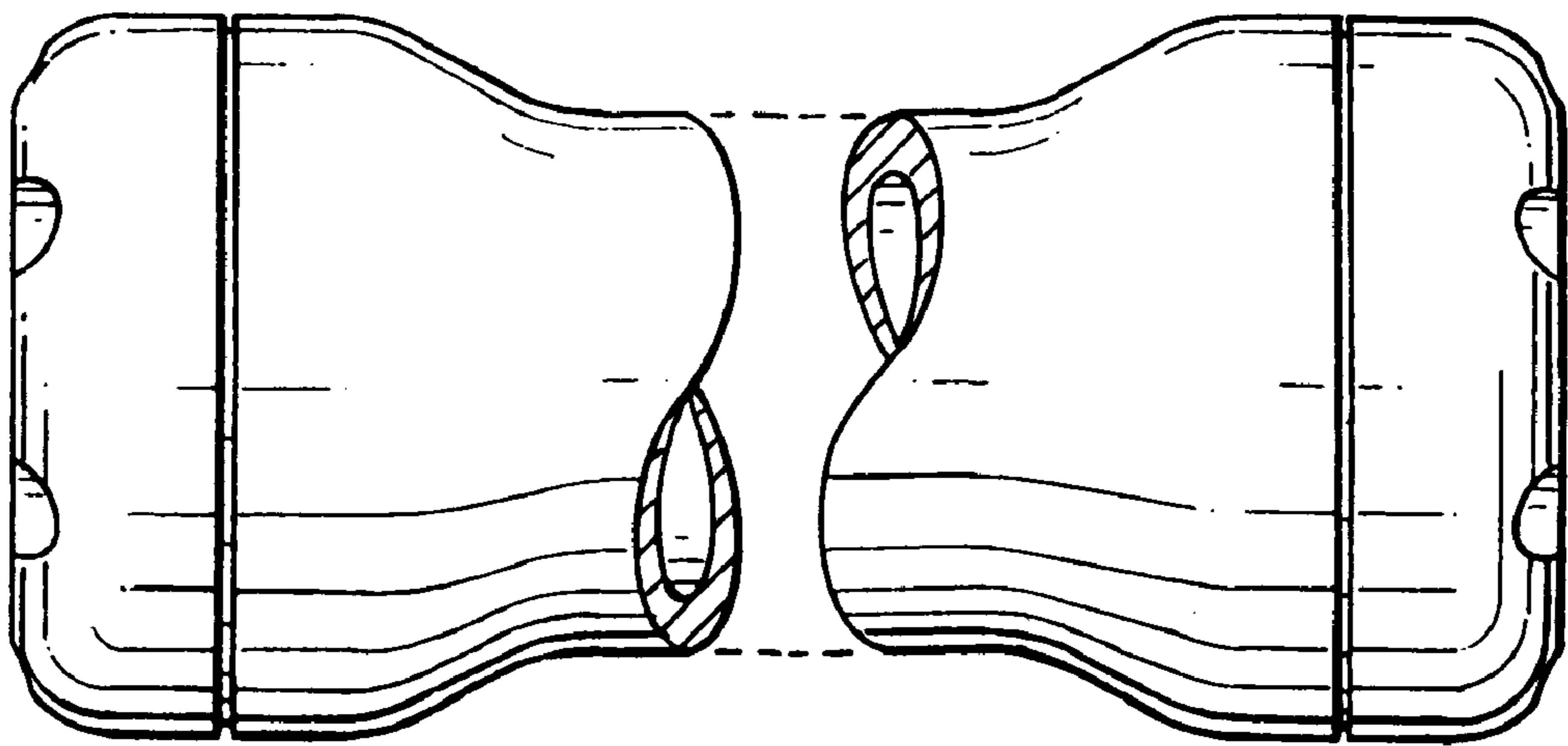


FIG. 4