



US00D417405S

United States Patent [19]

Tsai

[11] Patent Number: **Des. 417,405**

[45] Date of Patent: **** Dec. 7, 1999**

[54] SCORE COUNTER

[76] Inventor: **Lore Tsai**, No. 22 Lane 20 Zichiang Street, East Area, Taichung City, Taiwan

[**] Term: **14 Years**

[21] Appl. No.: **29/102,722**

[22] Filed: **Mar. 29, 1999**

[51] LOC (6) Cl. **21-01**

[52] U.S. Cl. **D10/46.1**

[58] Field of Search D10/46.1, 46, D10/72; 116/222-225; 235/1 B, 90

[56] **References Cited**

U.S. PATENT DOCUMENTS

- D. 248,424 7/1978 Priovolos D10/46.1
- D. 330,168 10/1992 Stoian D10/46.1
- 1,569,701 1/1926 Bostrom 235/1 B X
- 1,940,134 12/1933 Levin 235/1 B X

- 2,988,273 6/1961 Feddick 235/69
- 3,770,193 11/1973 Sauter D10/46.1 X
- 3,829,994 8/1974 Dillon D10/46.1 X
- 4,009,679 3/1977 Kircher 116/225

Primary Examiner—Prabhakar Deshmukh
Attorney, Agent, or Firm—Dougherty & Troxell

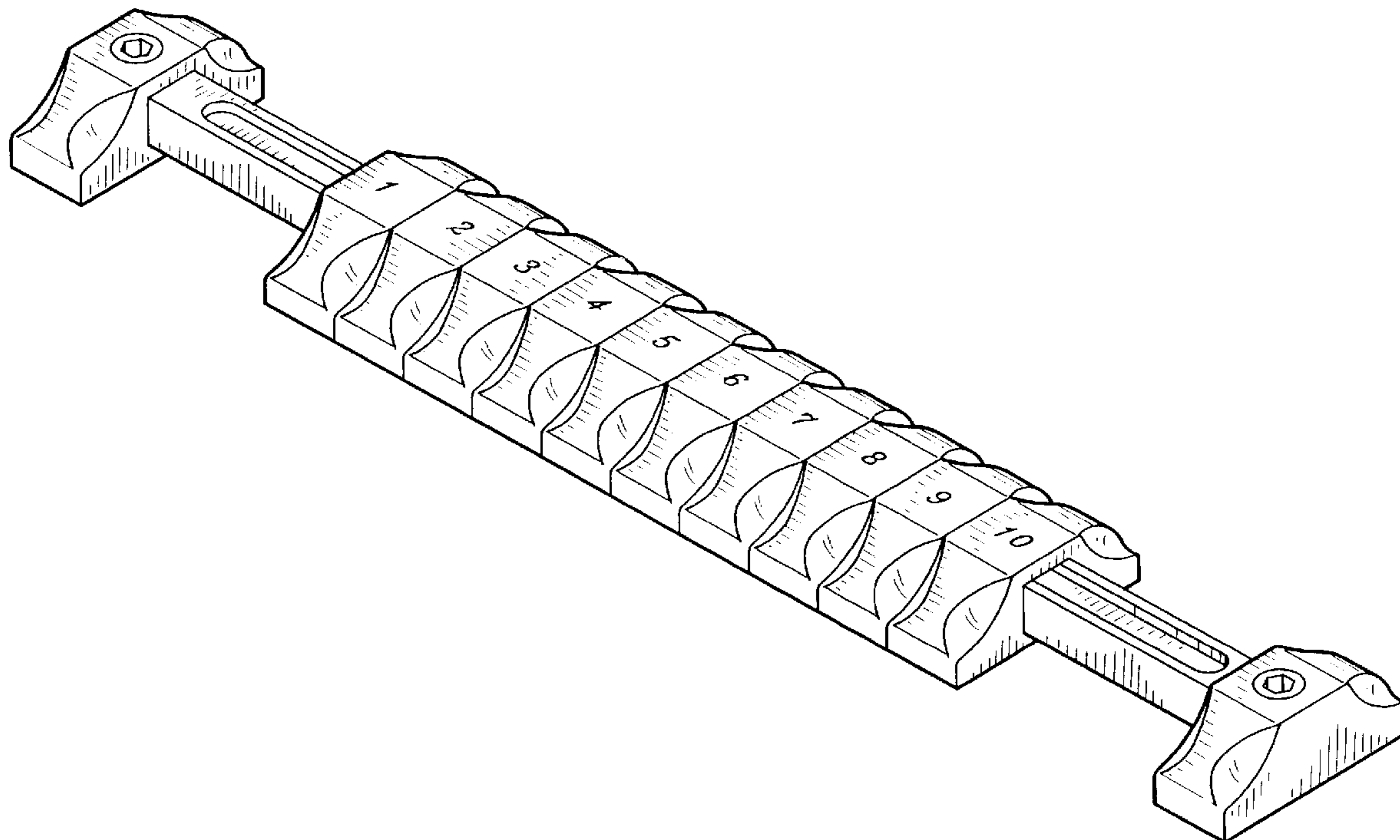
[57] **CLAIM**

The ornamental design for score counter, as shown and described.

DESCRIPTION

FIG. 1 is a perspective view of a score counter; FIG. 2 is a right side view thereof; FIG. 3 is a top view thereof; FIG. 4 is a front view thereof; FIG. 5 is a bottom view thereof; FIG. 6 is a left side view thereof; and, FIG. 7 is a rear view thereof.

1 Claim, 4 Drawing Sheets



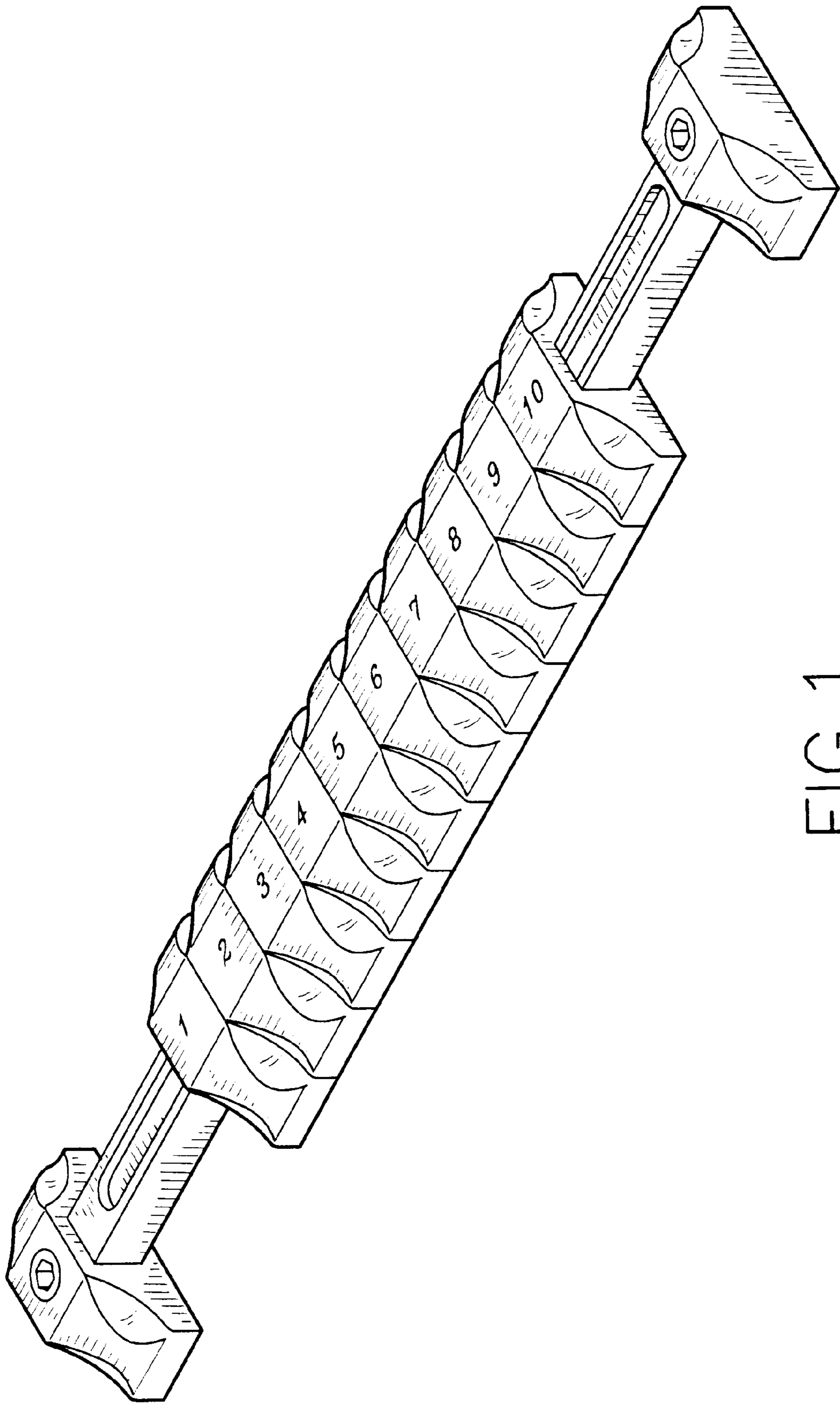


FIG. 1

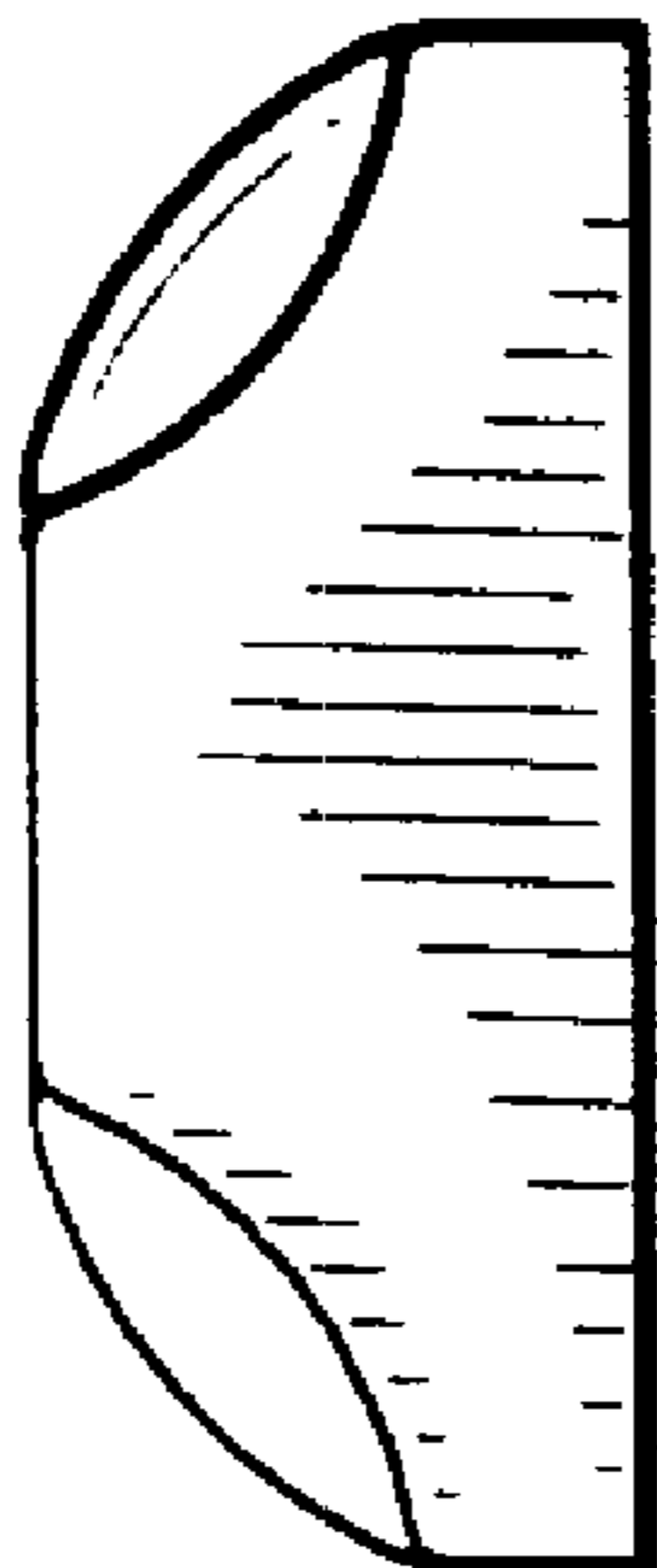


FIG. 2

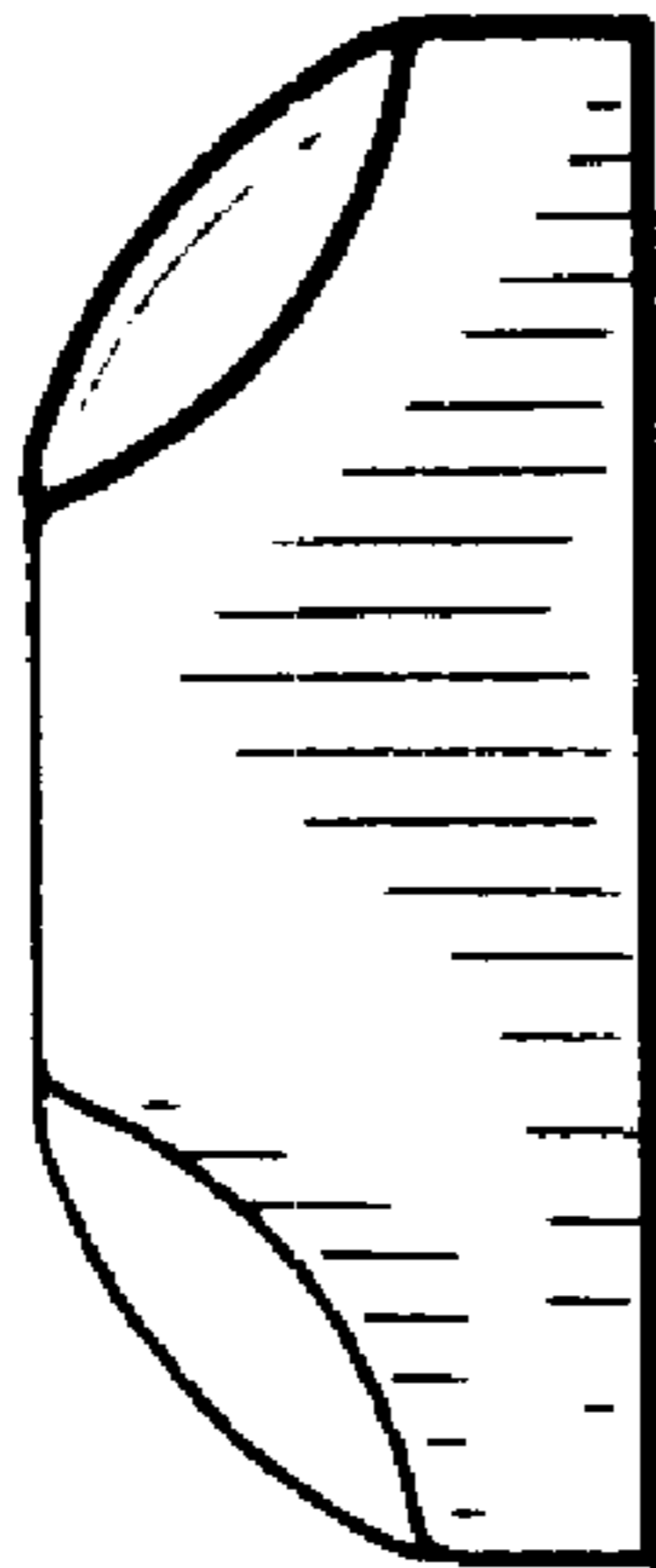


FIG. 6

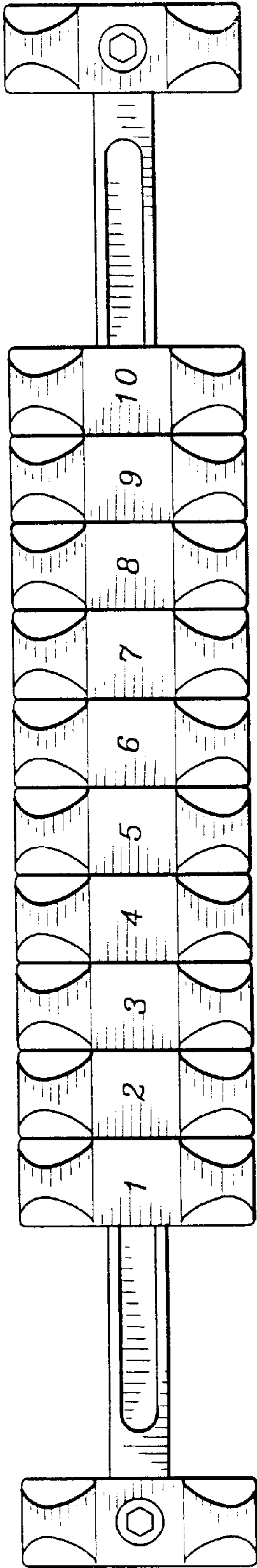


FIG. 3

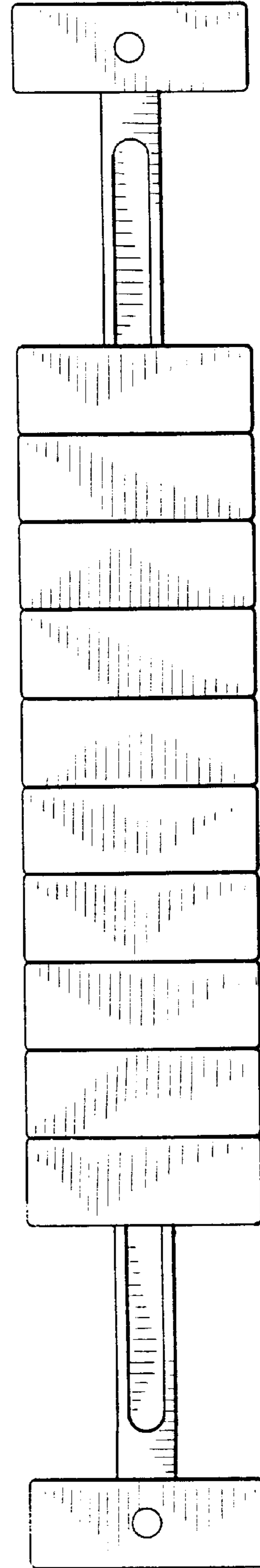


FIG. 5

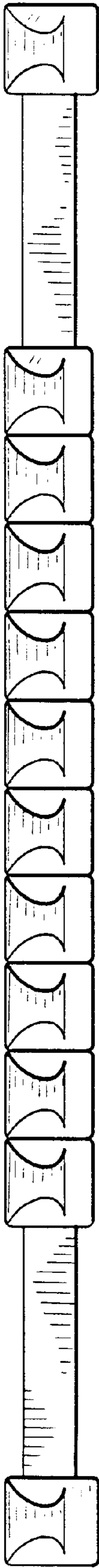


FIG. 4

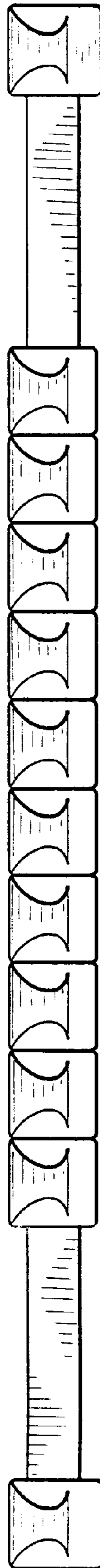


FIG. 7