



US00D417398S

United States Patent [19]

Fernekes et al.

[11] Patent Number: Des. 417,398

[45] Date of Patent: ** Dec. 7, 1999

[54] CLOCK

5,751,662 5/1998 Shaw 368/67

[75] Inventors: Leo M. Fernekes, New York; Stefan J. Rublowsky, Brooklyn, both of N.Y.

[73] Assignee: Electrokinetics, Inc., New York, N.Y.

[**] Term: 14 Years

[21] Appl. No.: 29/086,661

[22] Filed: Apr. 16, 1998

[51] LOC (6) Cl. 10-01

[52] U.S. Cl. D10/1; D10/127

[58] Field of Search D10/1-39, 122-132;
368/223, 228, 232, 238-9, 285, 276-277;
40/429-431, 411

[56] References Cited

U.S. PATENT DOCUMENTS

D. 100,761	8/1936	Elkonin .	
298,557	5/1884	Diolot .	
2,999,326	9/1961	Musaphia .	
4,568,287	2/1986	Wederski	434/285

OTHER PUBLICATIONS

Fernekes, Leo M., "Virtual Image Clock," advertising brochure, May, 1997, New York, New York.

Primary Examiner—Nelson C. Holtje
Attorney, Agent, or Firm—T. Woods

[57] CLAIM

The ornamental design for a clock, as shown and described.

DESCRIPTION

FIG. 1 is a top elevational view a clock embodying our new design;

FIG. 2 is a front elevational view thereof;

FIG. 3 is a right elevational view thereof;

FIG. 4 is a rear elevational view thereof;

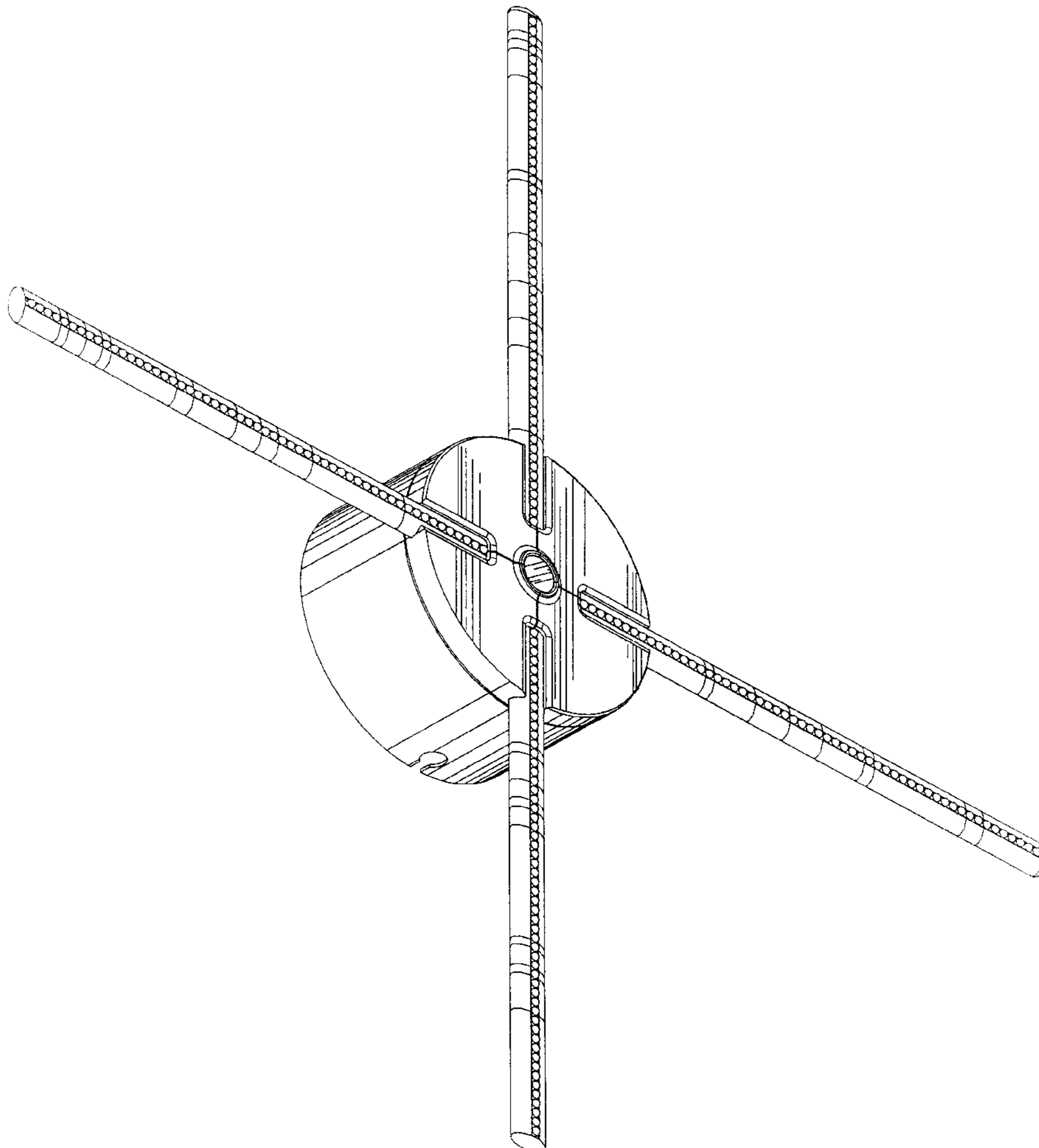
FIG. 5 is a bottom elevational view thereof;

FIG. 6 is a left elevational view thereof;

FIG. 7 is a top right perspective view thereof; and,

FIG. 8 is a bottom left perspective view thereof.

1 Claim, 5 Drawing Sheets



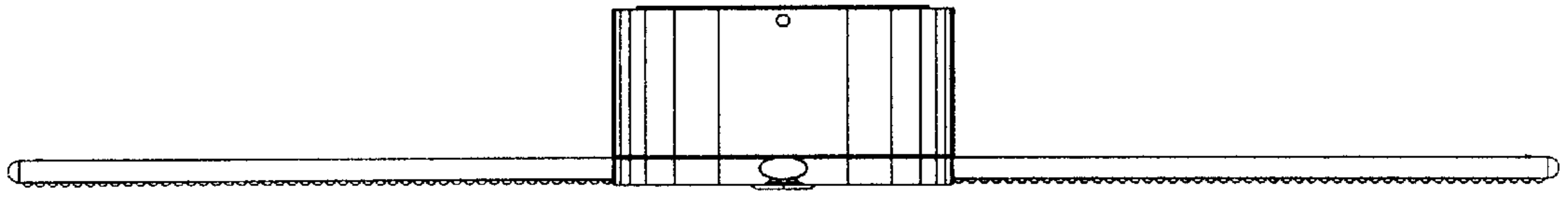


FIG. 1

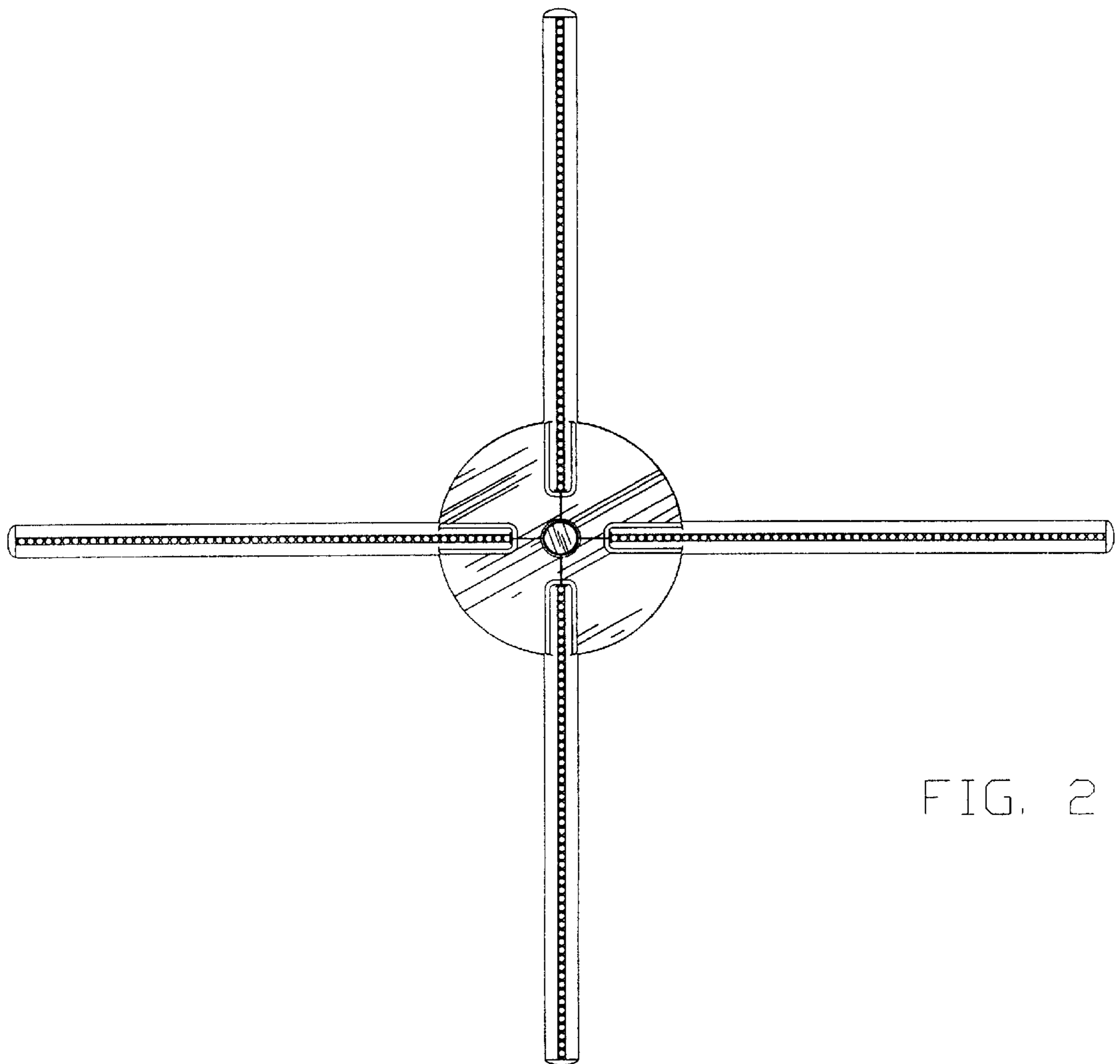


FIG. 2

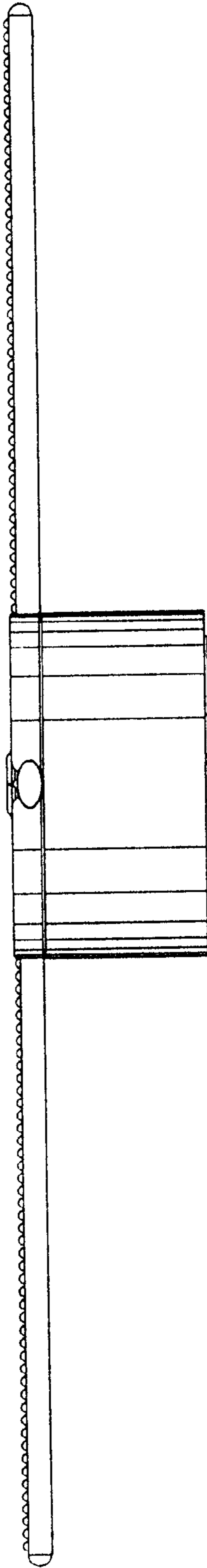


FIG. 3

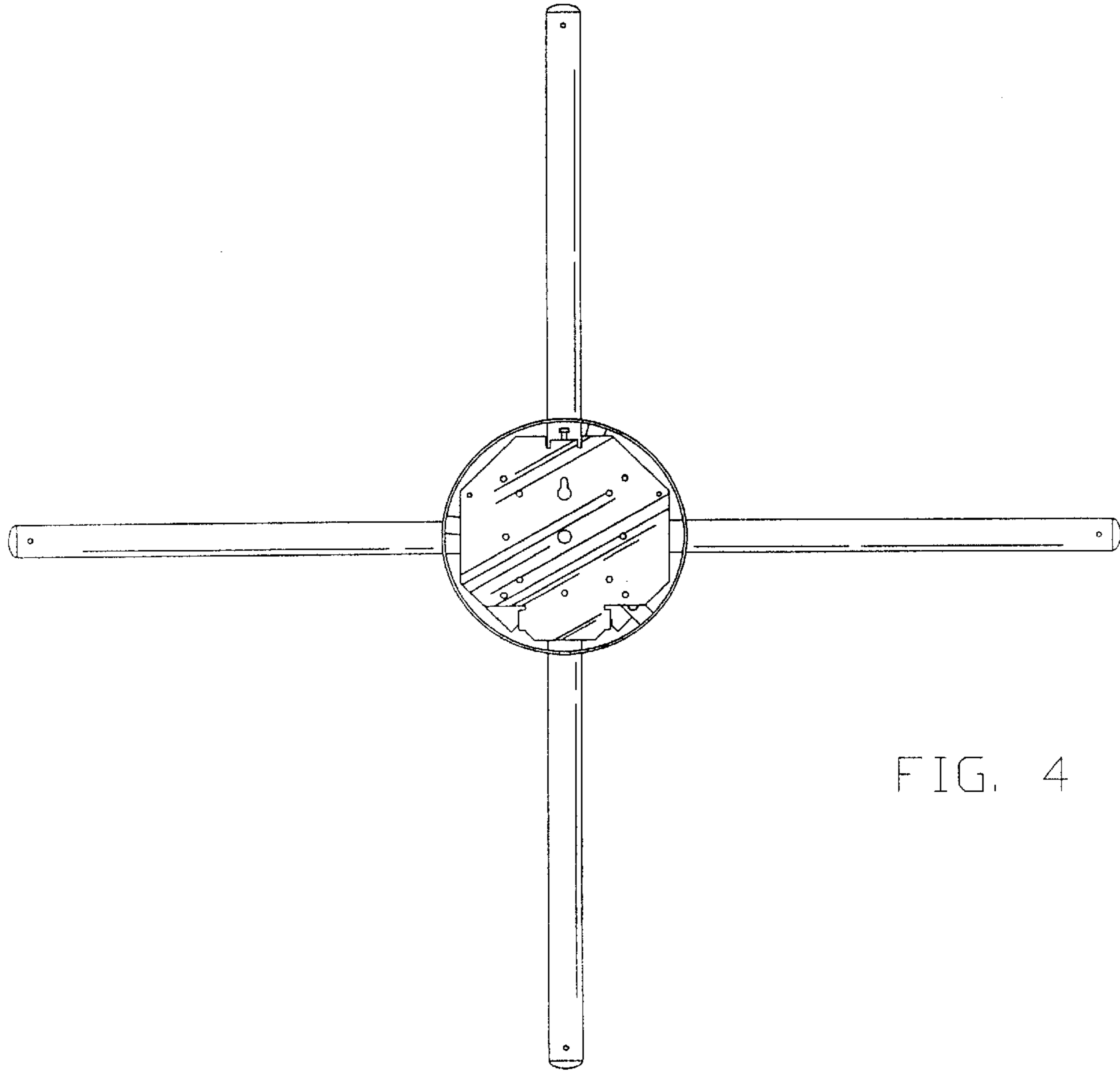


FIG. 4

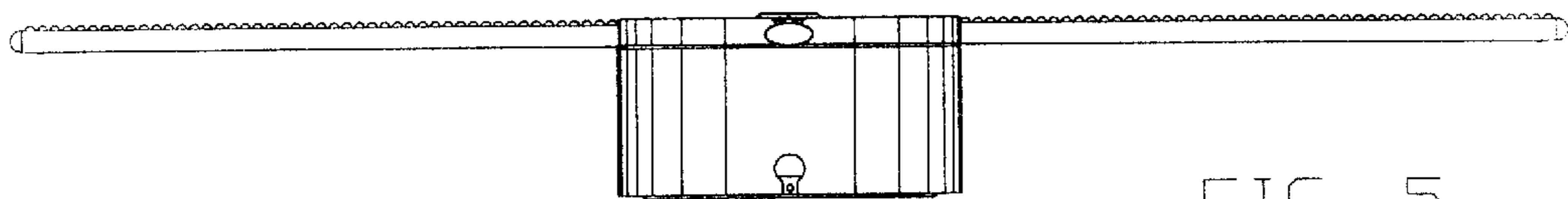


FIG. 5

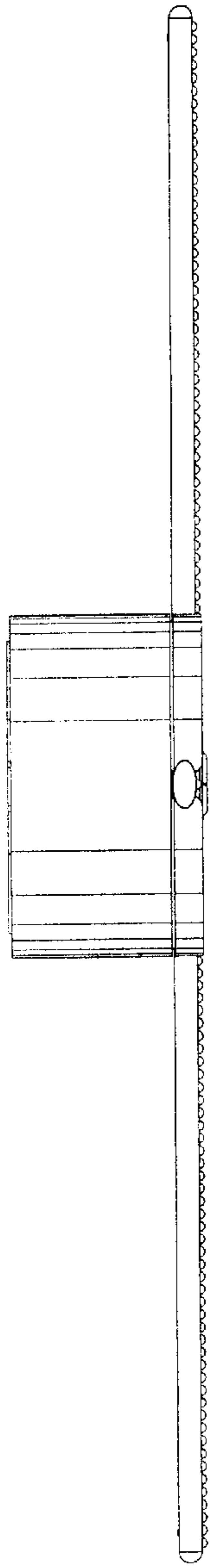


FIG. 6

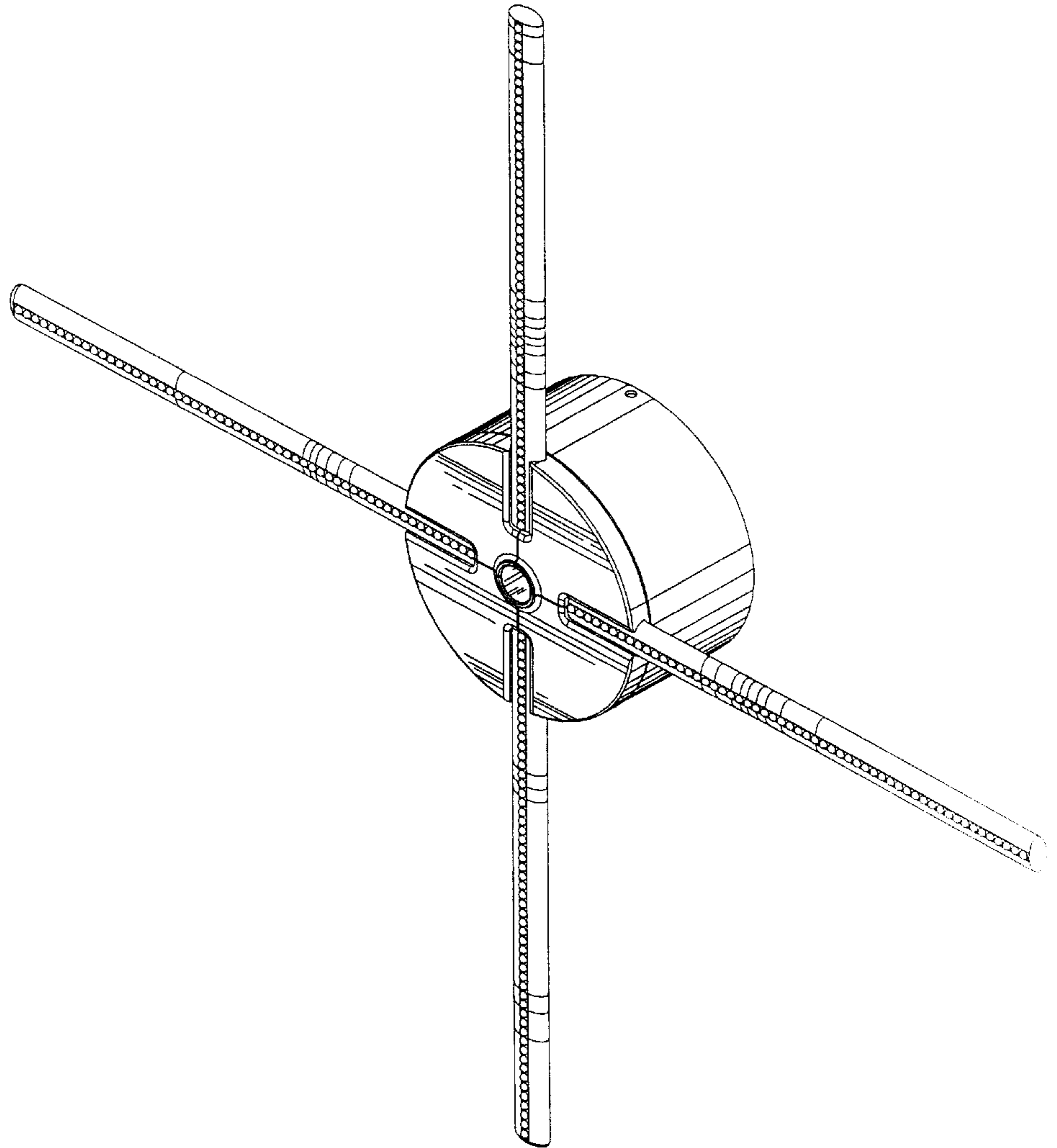


FIG. 7

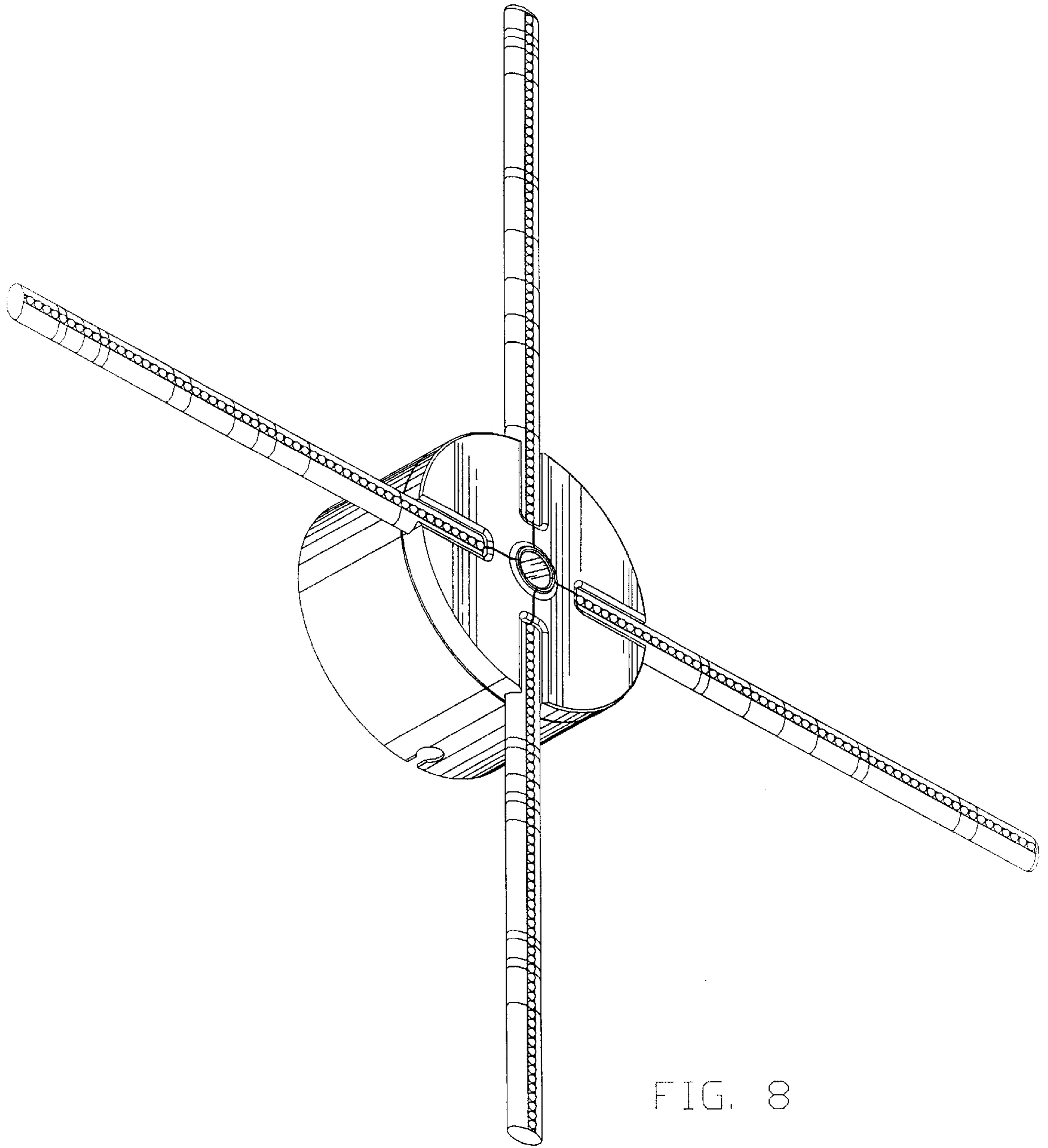


FIG. 8