



US00D417397S

# United States Patent [19]

Forecast et al.

[11] Patent Number: **Des. 417,397**

[45] Date of Patent: **\*\* Dec. 7, 1999**

[54] **CAP FOR CONTAINER**

[76] Inventors: **Christopher James Forecast**, 10a Bangalore Street, Putney, London, SW15 1QE; **David Kevin Thomson**, 56 Plympton Road, London, NW6 7EQ; **Stephen Christopher Moore**, 12 Warwick Villas, Thorpe Lea Road, Egham, Surrey TW20 8LL, all of United Kingdom

[\*\*] Term: **14 Years**

[21] Appl. No.: **29/098,014**

[22] Filed: **Dec. 18, 1998**

[30] **Foreign Application Priority Data**

Jun. 30, 1998 [GB] United Kingdom ..... 2075679

[51] **LOC (6) Cl.** ..... **09-07**

[52] **U.S. Cl.** ..... **D9/453; D9/438**

[58] **Field of Search** ..... D9/435, 438, 452, D9/453, 454, 503; 215/250, 252, 253, 254, 256, 257; 220/265, 266, 270, 276, 279, 280

[56] **References Cited**

**U.S. PATENT DOCUMENTS**

4,197,960	4/1980	Walter .....	220/266
4,981,230	1/1991	Marshall et al. ....	215/252
5,215,204	6/1993	Beck et al. ....	215/252
5,609,262	3/1997	Trout .....	215/252 X

*Primary Examiner*—Cathron B. Matta  
*Attorney, Agent, or Firm*—Dianne Burkhard

[57] **CLAIM**

The ornamental design for a cap for container, as shown.

**DESCRIPTION**

FIG. 1 is a front perspective view of the cap for container from above and one side.

FIG. 2 is a side elevational view of the opposite side thereof, and;

FIG. 3 is a top plan view thereof.

**1 Claim, 2 Drawing Sheets**

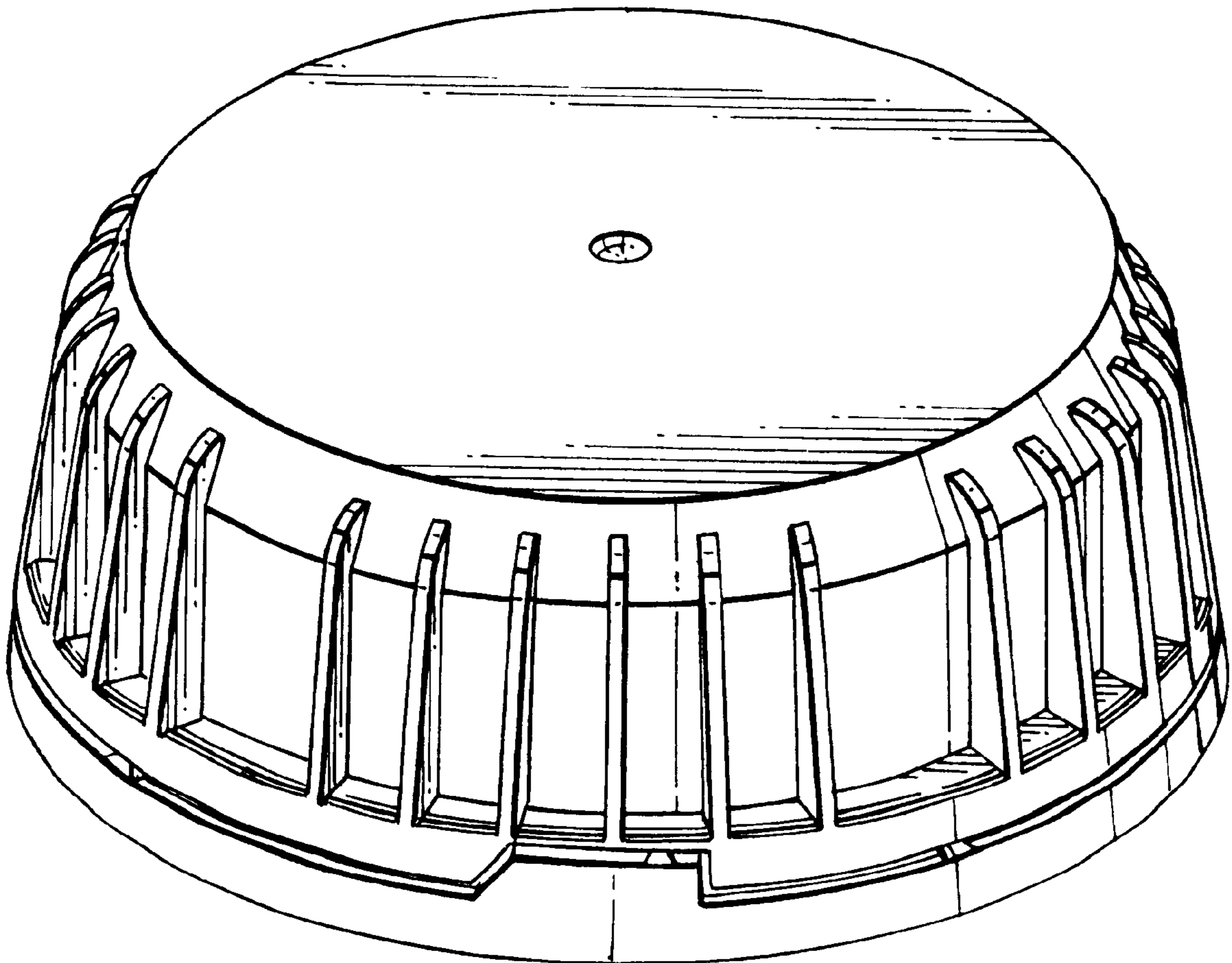


Fig. 1.

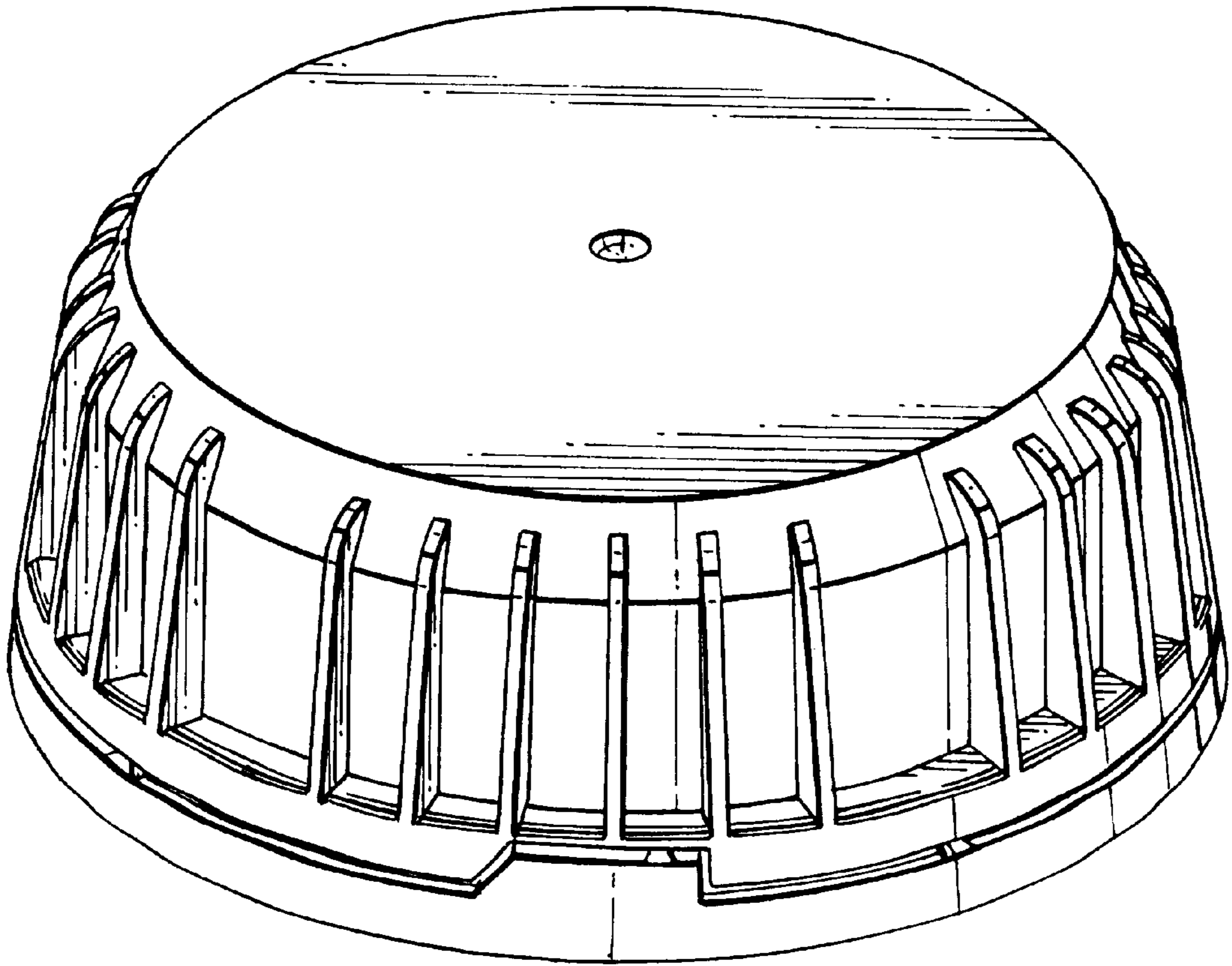


Fig. 2.

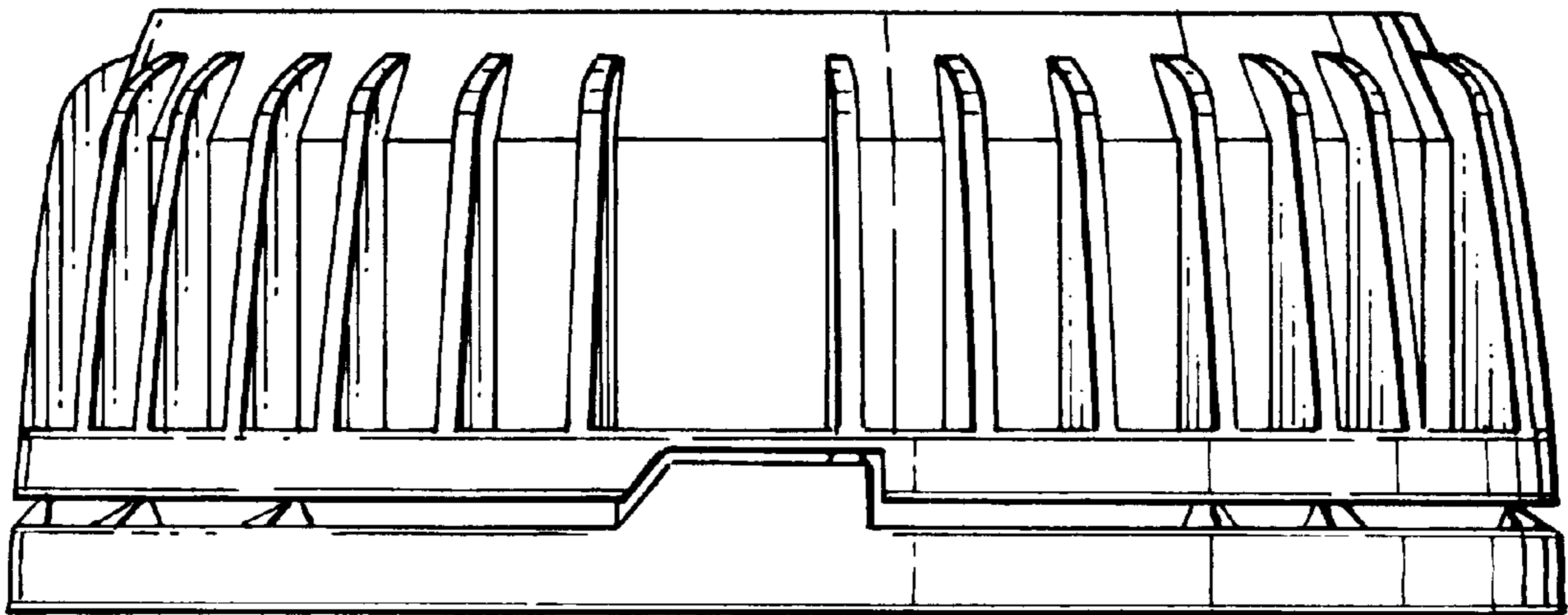


Fig.3.

