



US00D417391S

**United States Patent** [19]  
**Szczepanski et al.**

[11] **Patent Number: Des. 417,391**  
[45] **Date of Patent: \*\* Dec. 7, 1999**

[54] **OPTICAL COMPONENT PACKAGING**

[75] Inventors: **Paul W. Szczepanski**, Matthews; **David J. Monks**, Charlotte, both of N.C.

[73] Assignee: **Litton Systems, Inc.**, Charlotte, N.C.

[\*\*] Term: **14 Years**

[21] Appl. No.: **29/094,924**

[22] Filed: **Oct. 14, 1998**

[51] **LOC (6) Cl.** ..... **09-07**

[52] **U.S. Cl.** ..... **D9/423; D9/432**

[58] **Field of Search** ..... D9/420-425, 432,  
D9/337, 414, 341, 347; D3/201, 263-268;  
206/316.1, 316.2, 316.3, 5, 5.1, 6, 6.1,  
508, 823, 524, 523, 588, 591, 592, 594,  
525; 220/4.21, 4.22, 4.24, 527, 528, 553,  
244, 833, 831

[56] **References Cited**

**U.S. PATENT DOCUMENTS**

D. 219,955	2/1971	Seaman	.....	D9/423
D. 314,273	2/1991	Minneman	.....	D9/423 X
D. 357,409	4/1995	Past et al.	.....	D9/423
2,959,340	11/1960	Hennessey	.....	206/592 X
3,223,232	12/1965	Coen	.....	206/524
3,268,068	8/1966	Le Grand	.....	206/5
3,295,713	1/1967	Optner	.....	220/833
3,346,099	10/1967	Thomas et al.	.....	220/833 X
3,780,487	12/1973	Munson	.....	206/592 X
3,880,283	4/1975	Flaherty et al.	.....	206/316.1
5,341,926	8/1994	Leben	.....	206/509 X

*Primary Examiner*—Prabhakar Deshmukh  
*Attorney, Agent, or Firm*—Michael H. Wallach

[57] **CLAIM**

The ornamental design for an optical component packaging, as shown and described.

**DESCRIPTION**

FIG. 1 is a perspective view of the optical component packaging according to the present invention with the optical component packaging being shown in an open position with an optical component located in one-half thereof;

FIG. 2 is a top plan view of the optical component packaging of FIG. 1 with the optical component packaging being shown in the open position;

FIG. 3 is a left side view of the optical component packaging of FIG. 1;

FIG. 4 is a right side view of the optical component packaging of FIG. 1;

FIG. 5 is a front elevational view of the optical component packaging of FIG. 1;

FIG. 6 is a rear plan view of the optical component packaging of FIG. 1;

FIG. 7 is a top plan view of a second embodiment of the present invention of the optical component packaging with the optical component packaging being shown in an open position; and,

FIG. 8 is a side elevational view of the optical component packaging of FIG. 7 being shown in a closed position.

All other view are similar to as disclosed in FIGS. 3-6.

**1 Claim, 3 Drawing Sheets**

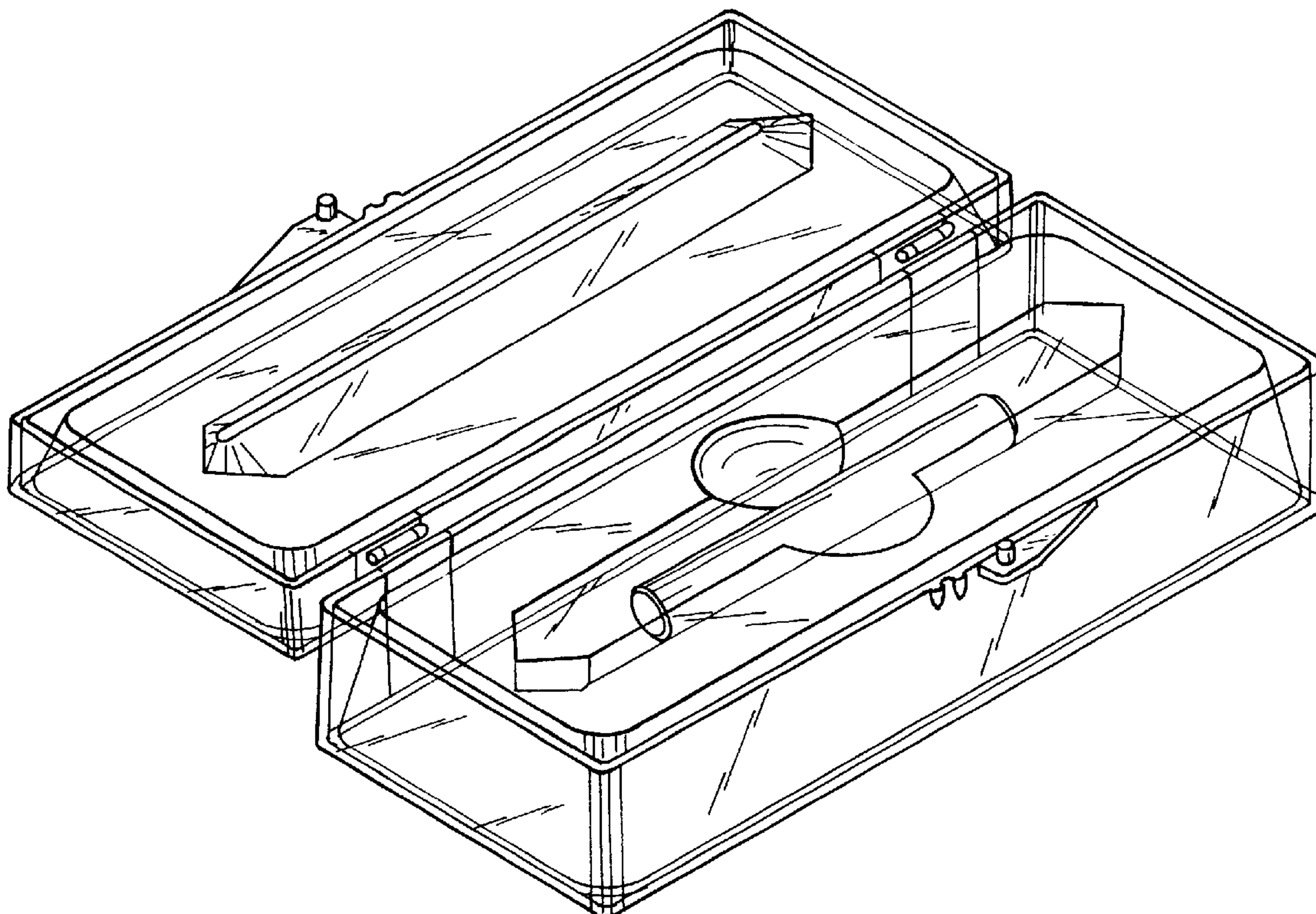


FIG. 1

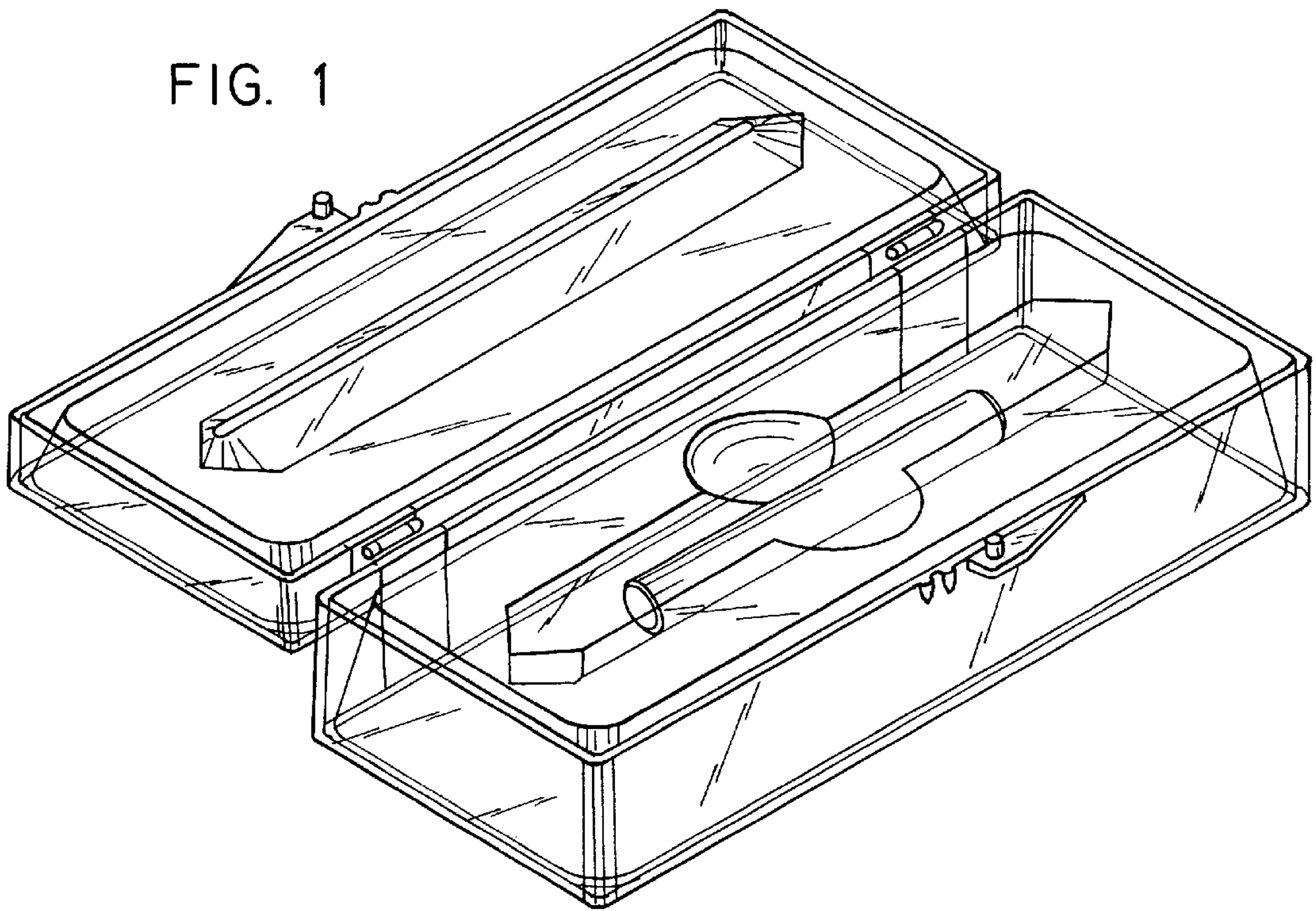
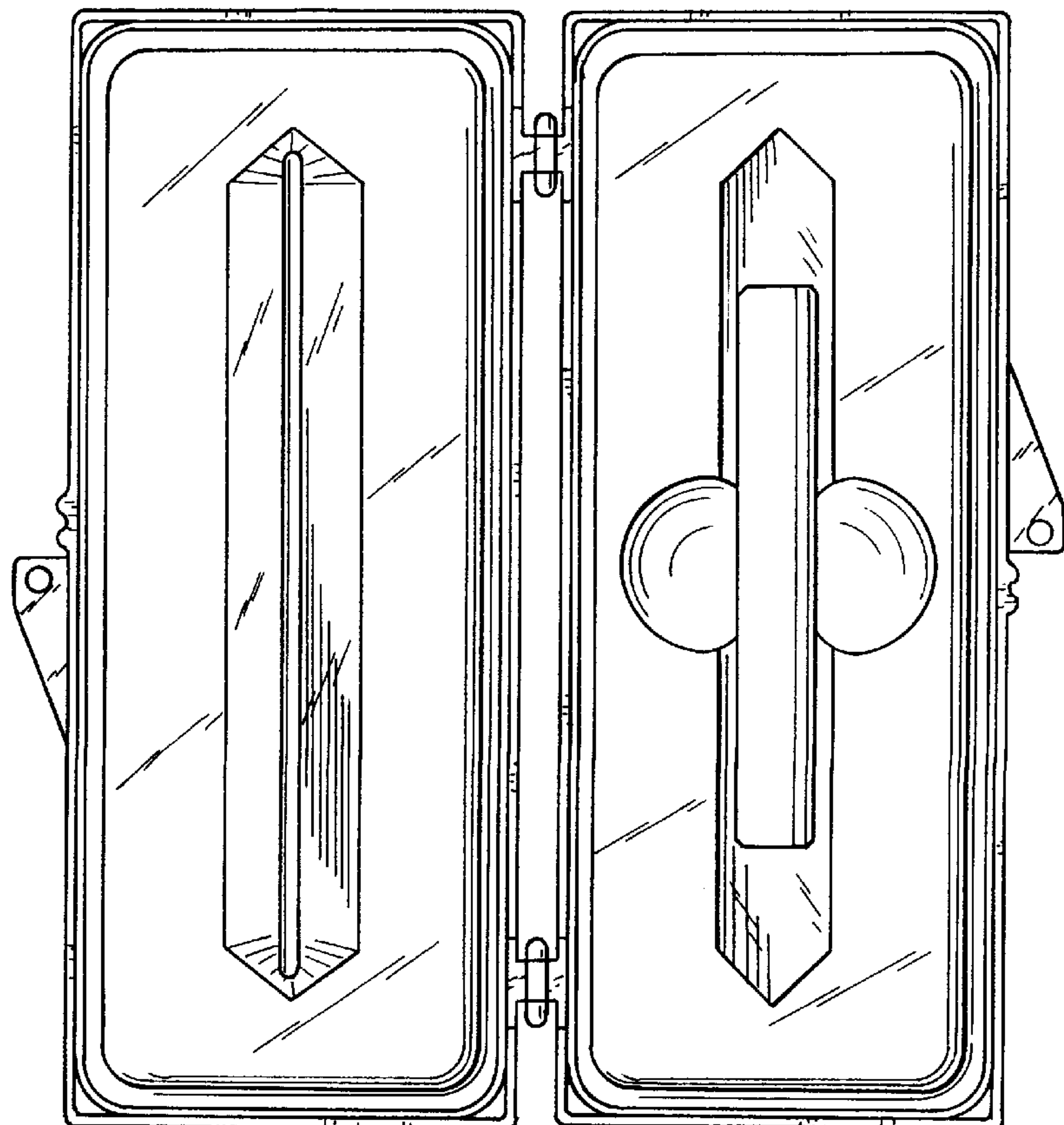


FIG. 2



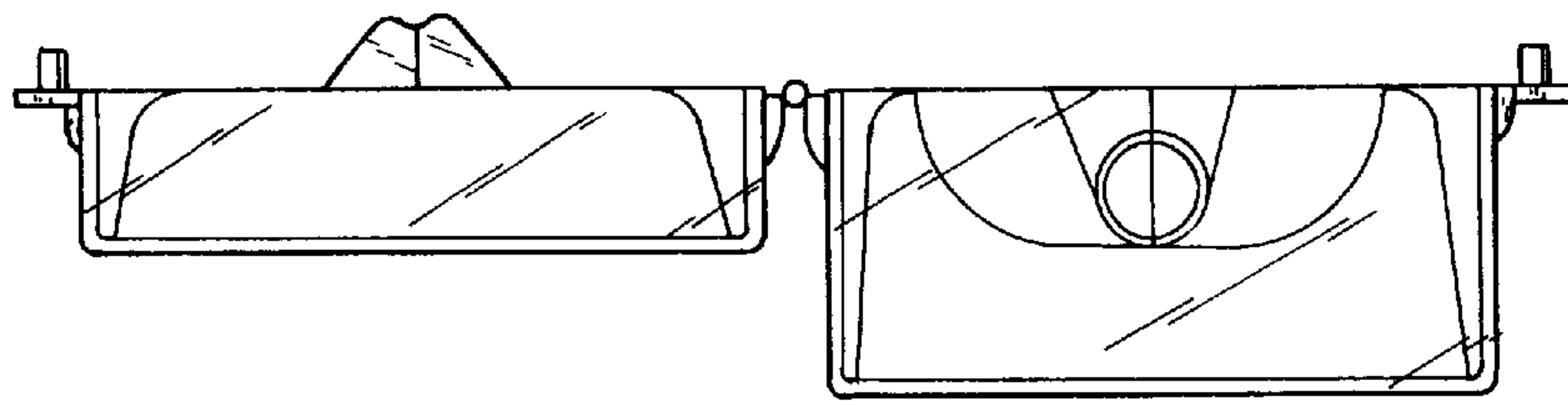


FIG. 3

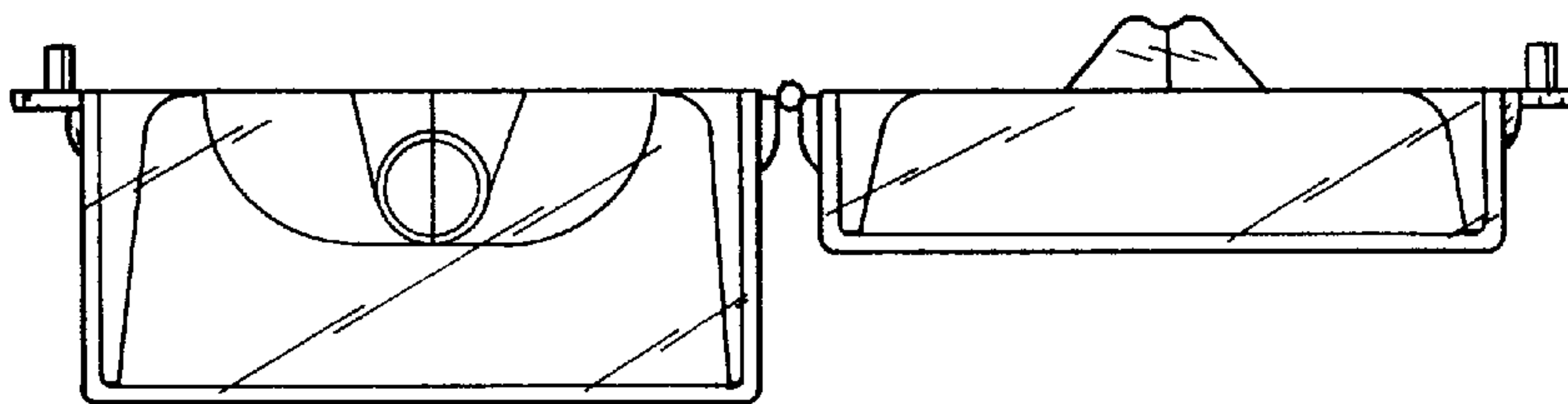


FIG. 4

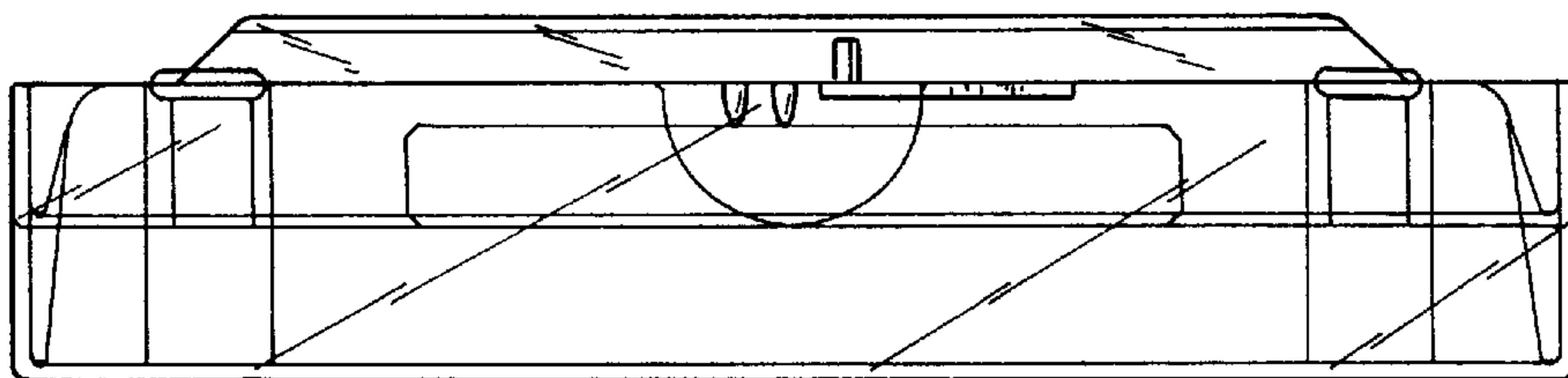


FIG. 5

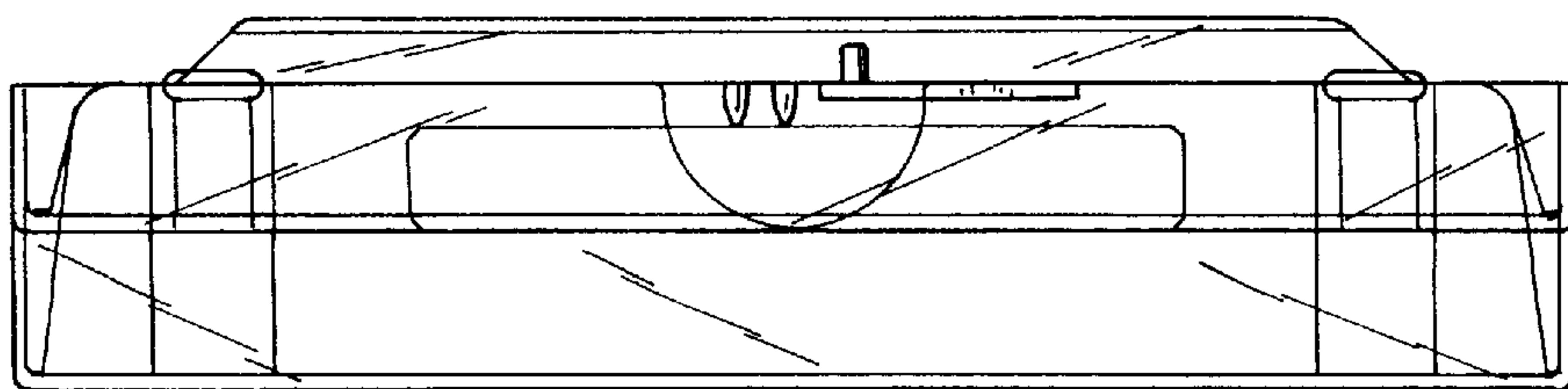


FIG. 6



FIG. 7

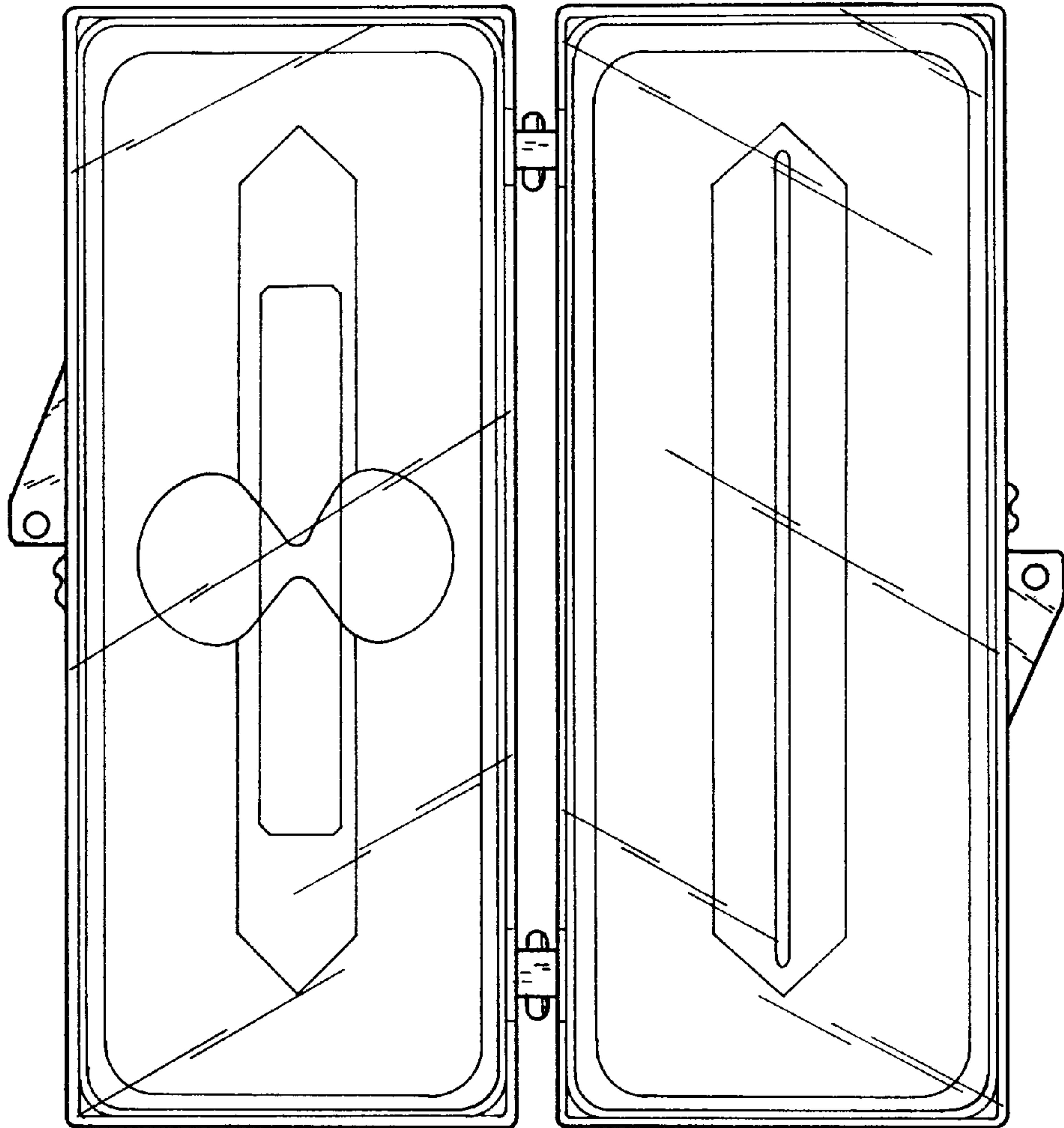


FIG. 8

