



US00D417386S

United States Patent [19]
Huston

[11] **Patent Number: Des. 417,386**

[45] **Date of Patent: ** Dec. 7, 1999**

[54] **HOOK FOR BUNGEE CORD**

[75] Inventor: **Robert Huston**, McMinnville, Oreg.

[73] Assignee: **Caddis Manufacturing, Inc.**,
McMinnville, Oreg.

[**] Term: **14 Years**

[21] Appl. No.: **29/106,141**

[22] Filed: **Jun. 9, 1999**

[51] **LOC (6) Cl.** **08-05**

[52] **U.S. Cl.** **D8/367**

[58] **Field of Search** D8/367; 248/301,
248/304, 499, 339; 24/130; 294/82.21

[56] **References Cited**

U.S. PATENT DOCUMENTS

D. 307,705	5/1990	Mair	D8/367
D. 329,371	9/1992	Jou	D8/367
3,940,173	2/1976	Ulbing	24/130
4,622,724	11/1986	Dupre	24/130

Primary Examiner—Holly Baynham
Attorney, Agent, or Firm—Chernoff, Vilhauer, McClung & Stenzel

[57] **CLAIM**

The ornamental design for a hook for bungee cord, as shown and described.

DESCRIPTION

FIG. 1 is a perspective view of a hook for bungee cord showing my new design in a closed position with the broken line showing of a partial bungee cord being for illustrative purposes only and forming no part of the claimed design; FIG. 2 is a first side elevational view thereof, the other side elevational view being identical thereto; FIG. 3 is a first end elevational view thereof; FIG. 4 is a second end elevational view thereof; FIG. 5 is a top plan view thereof; FIG. 6 is a bottom plan view thereof; and, FIG. 7 is an enlarged perspective view of the design shown in FIG. 1 in an opened position.

1 Claim, 3 Drawing Sheets

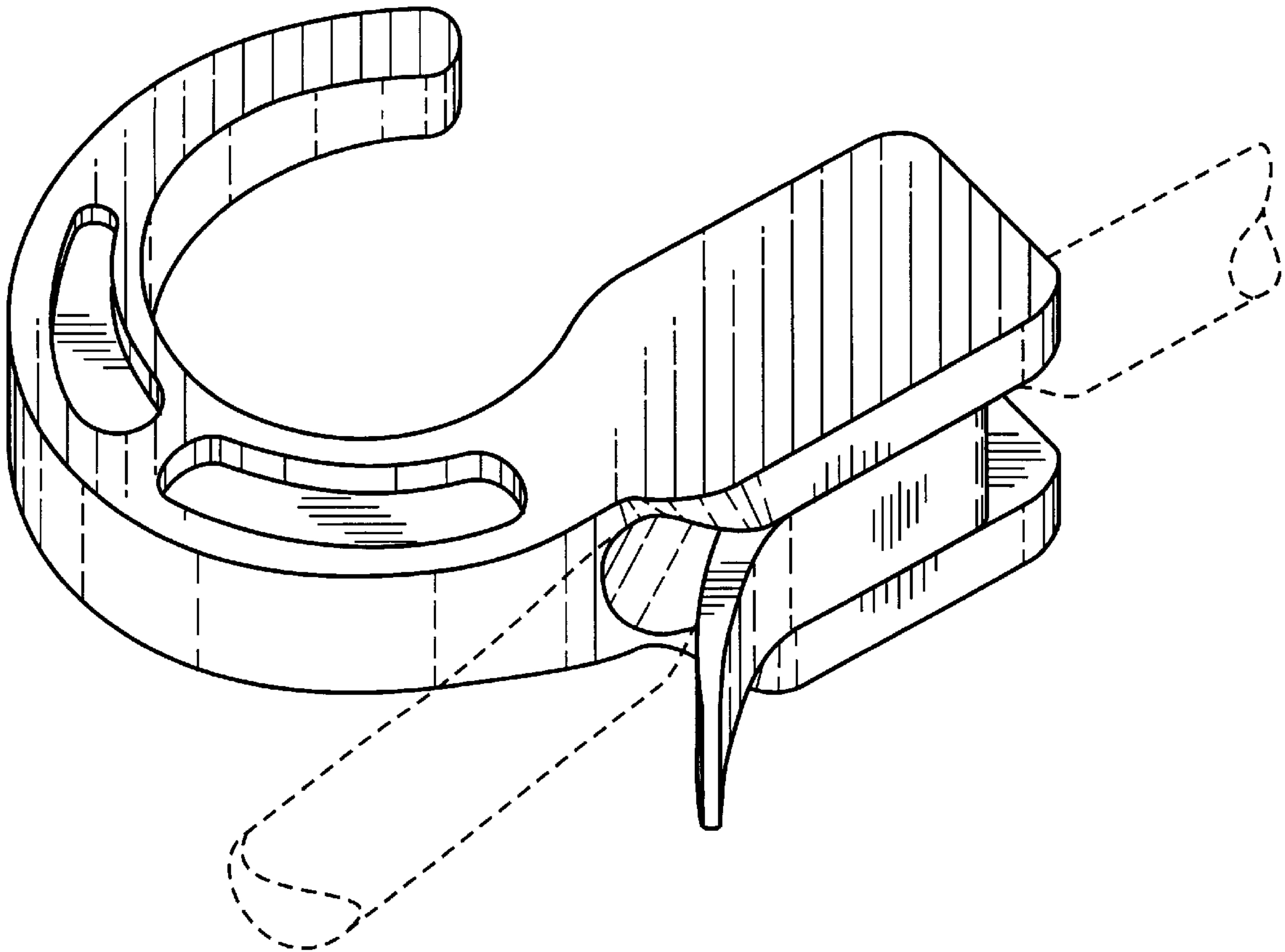


Fig. 1

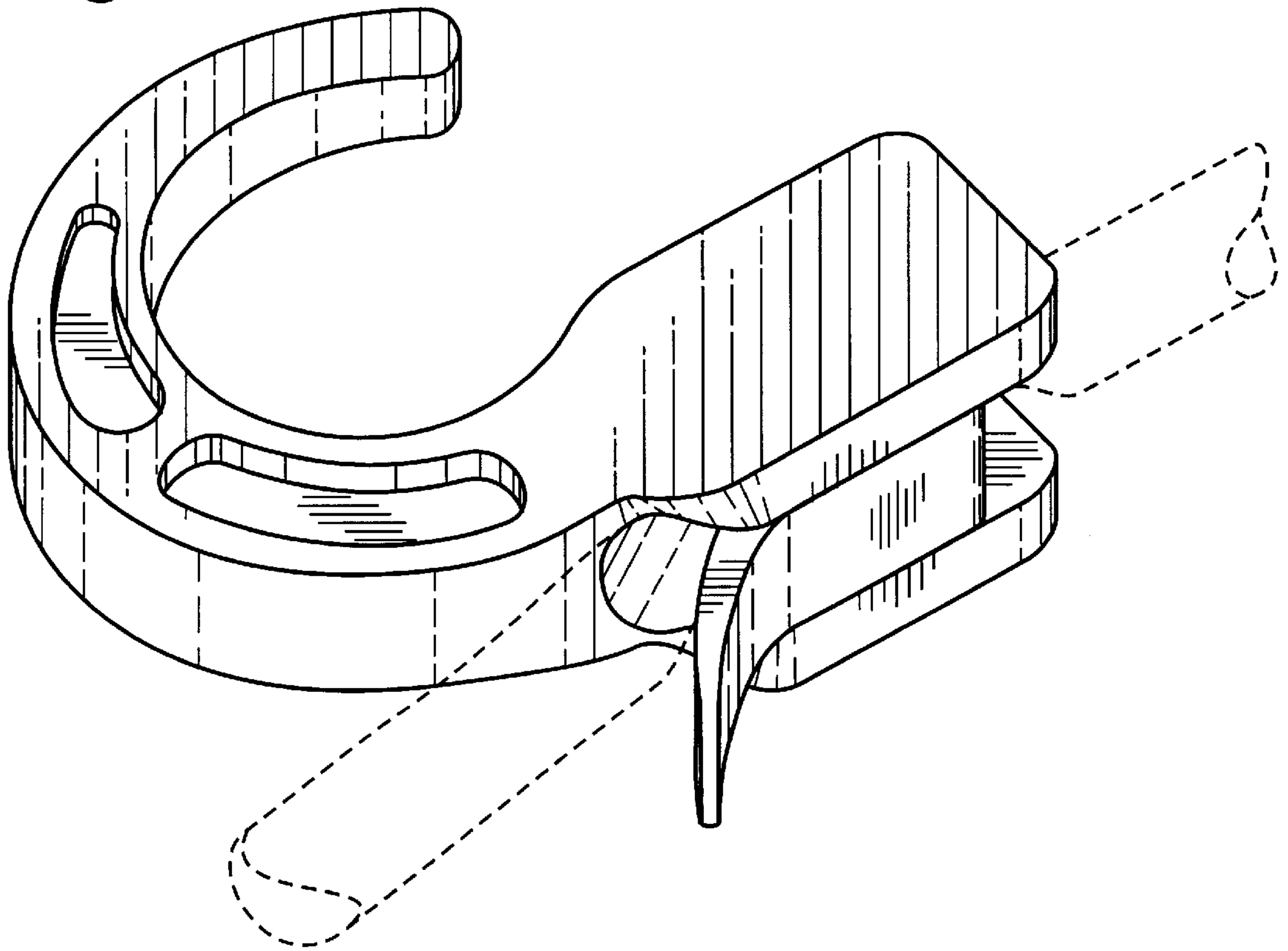


Fig. 2

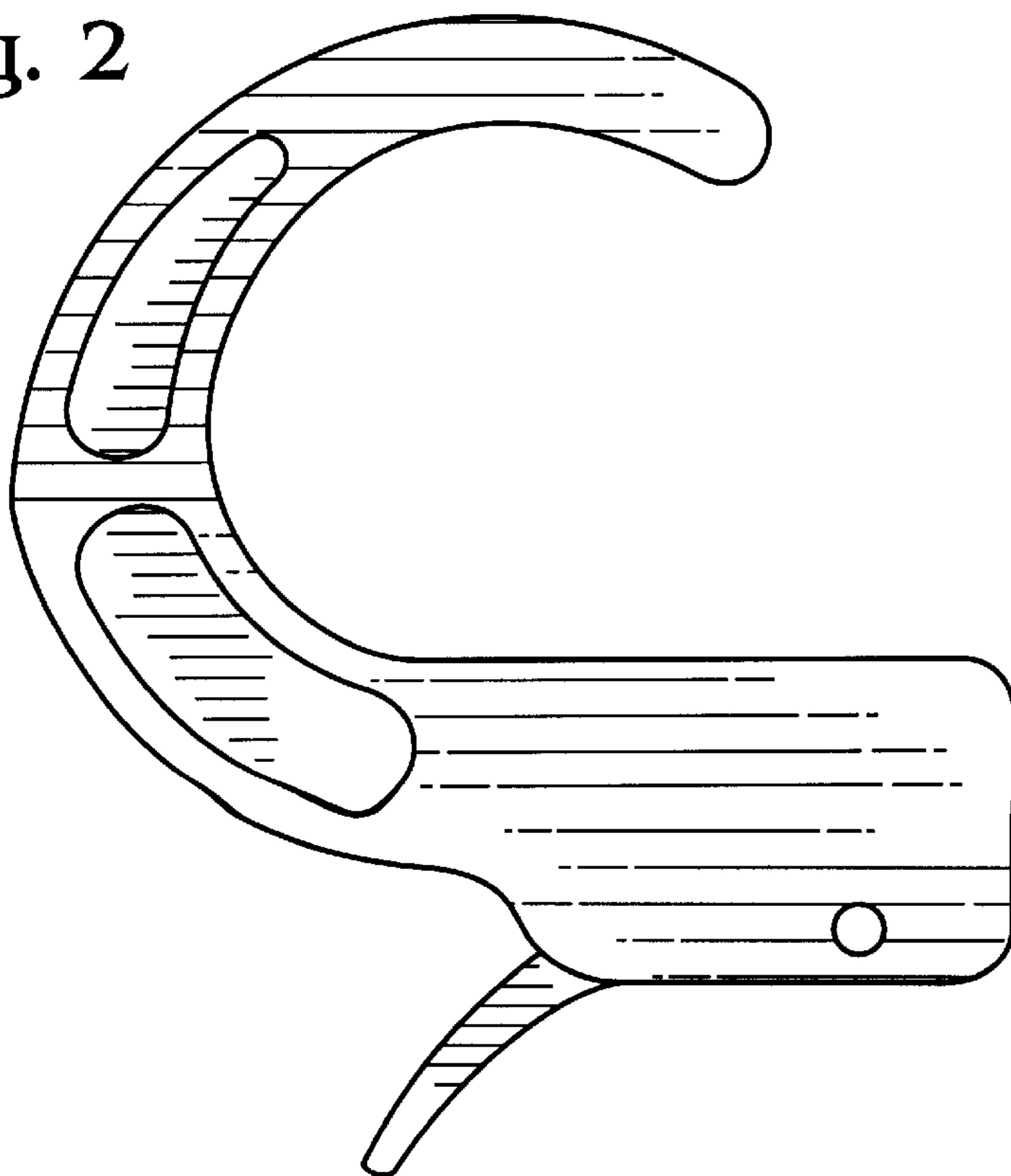


Fig. 3

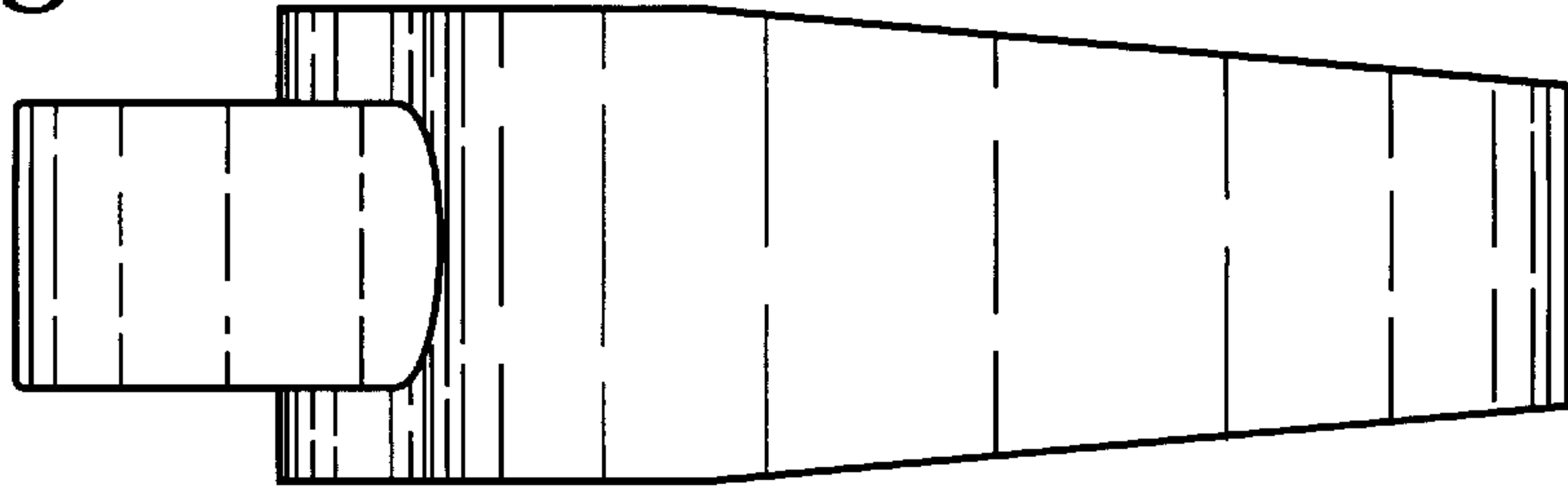


Fig. 4

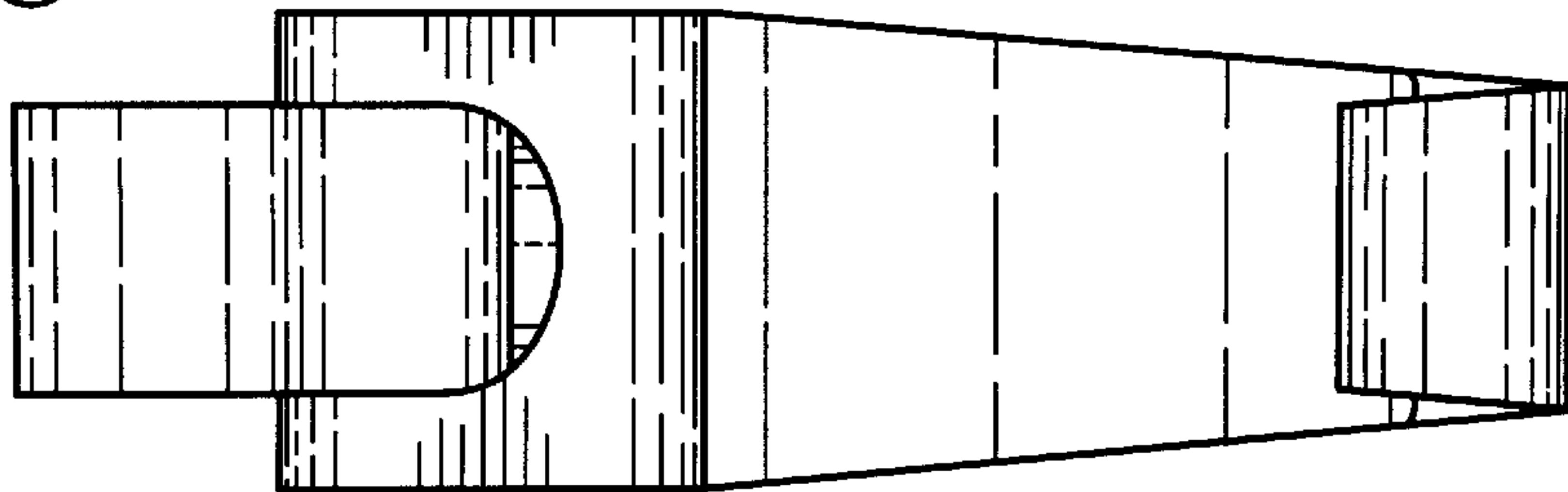


Fig. 5

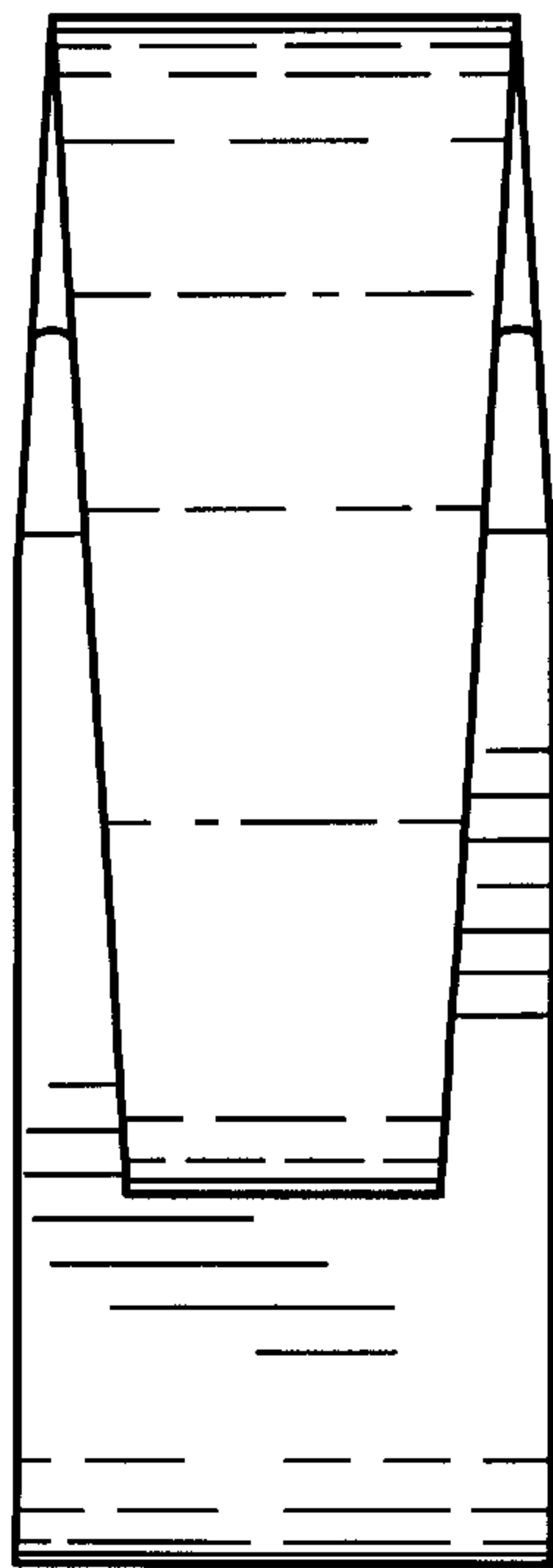
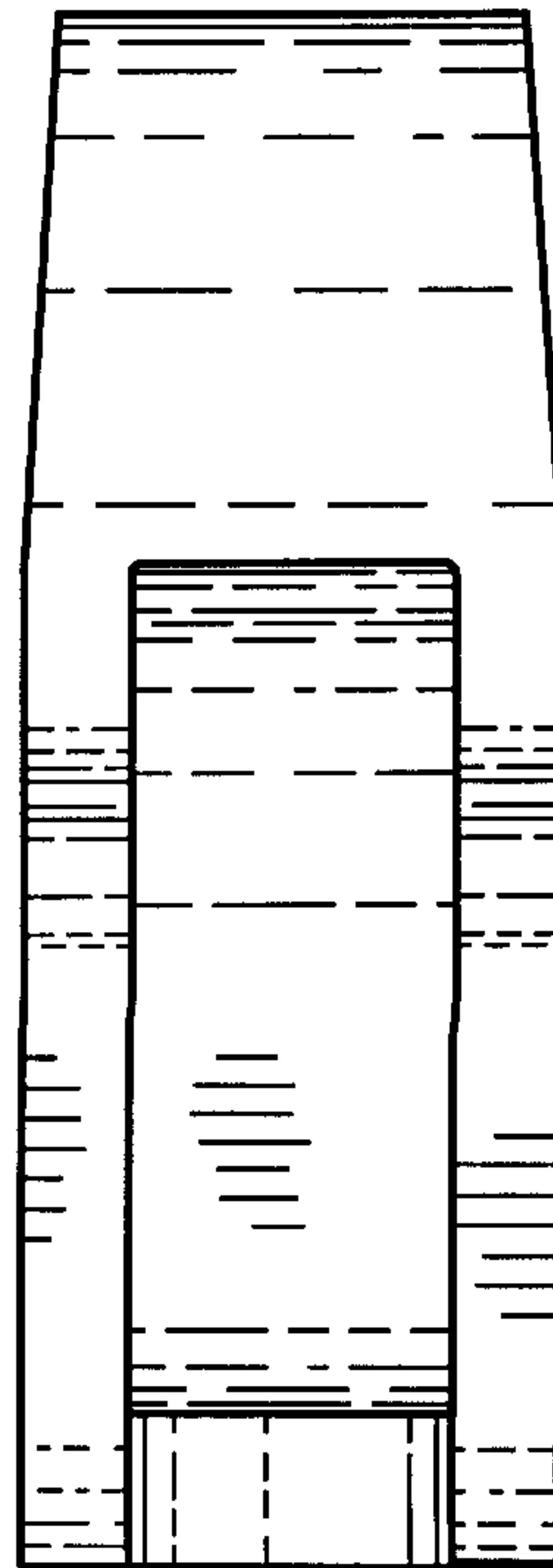


Fig. 6



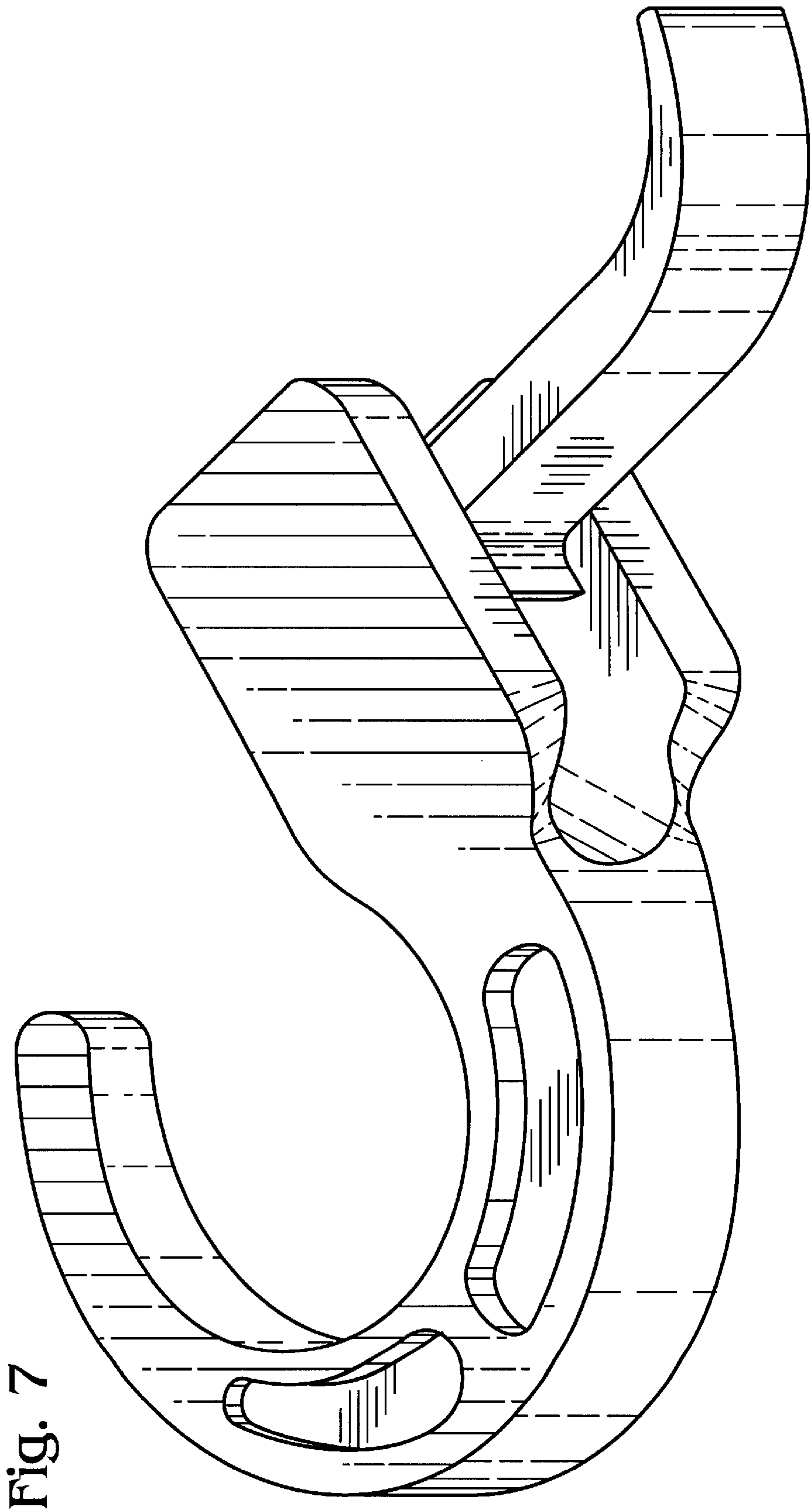


Fig. 7