



US00D417384S

United States Patent [19] Willems

[11] **Patent Number: Des. 417,384**

[45] **Date of Patent: ** Dec. 7, 1999**

[54] **DISH FOR CASE**

[75] Inventor: **Roger Peter Willems**, Penn, United Kingdom

[73] Assignee: **Penn Fabrication (U.S.A.) Inc.**, Moorpark, Calif.

[**] Term: **14 Years**

[21] Appl. No.: **29/084,305**

[22] Filed: **Feb. 27, 1998**

4,438,964 3/1984 Peters 70/208 X
 4,850,209 7/1989 Weinerman et al. 70/208
 5,015,019 5/1991 Rzdolsky 292/DIG. 31
 5,439,260 8/1995 Weinerman et al. 70/208 X
 5,526,660 6/1996 Bennett et al. 70/208
 5,797,635 8/1998 Willems 292/111

Primary Examiner—Susan J. Lucas
Assistant Examiner—Jennifer Rivard
Attorney, Agent, or Firm—Leon D. Rosen

Related U.S. Application Data

[62] Division of application No. 29/066,973, Feb. 25, 1997, Pat. No. Des. 397,605.

[51] **LOC (6) Cl.** **08-07**

[52] **U.S. Cl.** **D8/343**

[58] **Field of Search** 292/2, DIG. 12, 292/DIG. 30, DIG. 31, DIG. 53, 336.3; 70/208, 210, 224; D8/343, 330, 331

[57] CLAIM

The ornamental design for a dish for case, as shown and described.

DESCRIPTION

FIG. 1 is an isometric view of a dish for case showing my design.

FIG. 2 is a front elevation view of the dish for case of FIG. 1.

FIG. 3 is a rear elevation view of the dish for case of FIG. 1.

FIG. 4 is a right side elevation view of the dish for case of FIG. 1, the left view being a mirror image thereof.

FIG. 5 is a top view of the dish for case of FIG. 1; and, FIG. 6 is a bottom view of the dish for case of FIG. 1.

[56] References Cited

U.S. PATENT DOCUMENTS

D. 314,131 1/1991 Russell et al. D8/331 X
 D. 383,664 9/1997 Bennett D8/331

1 Claim, 2 Drawing Sheets

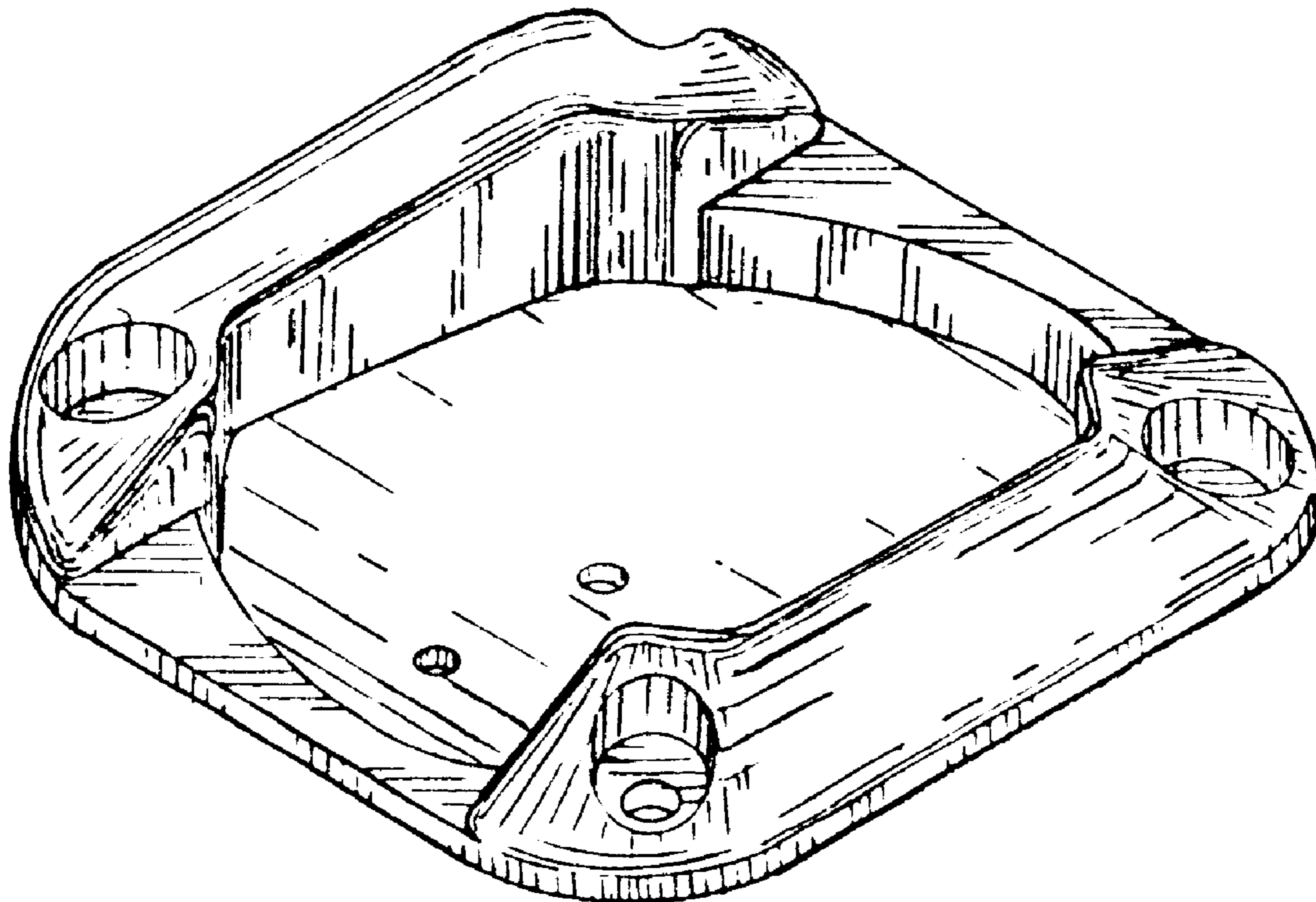


FIG. 1

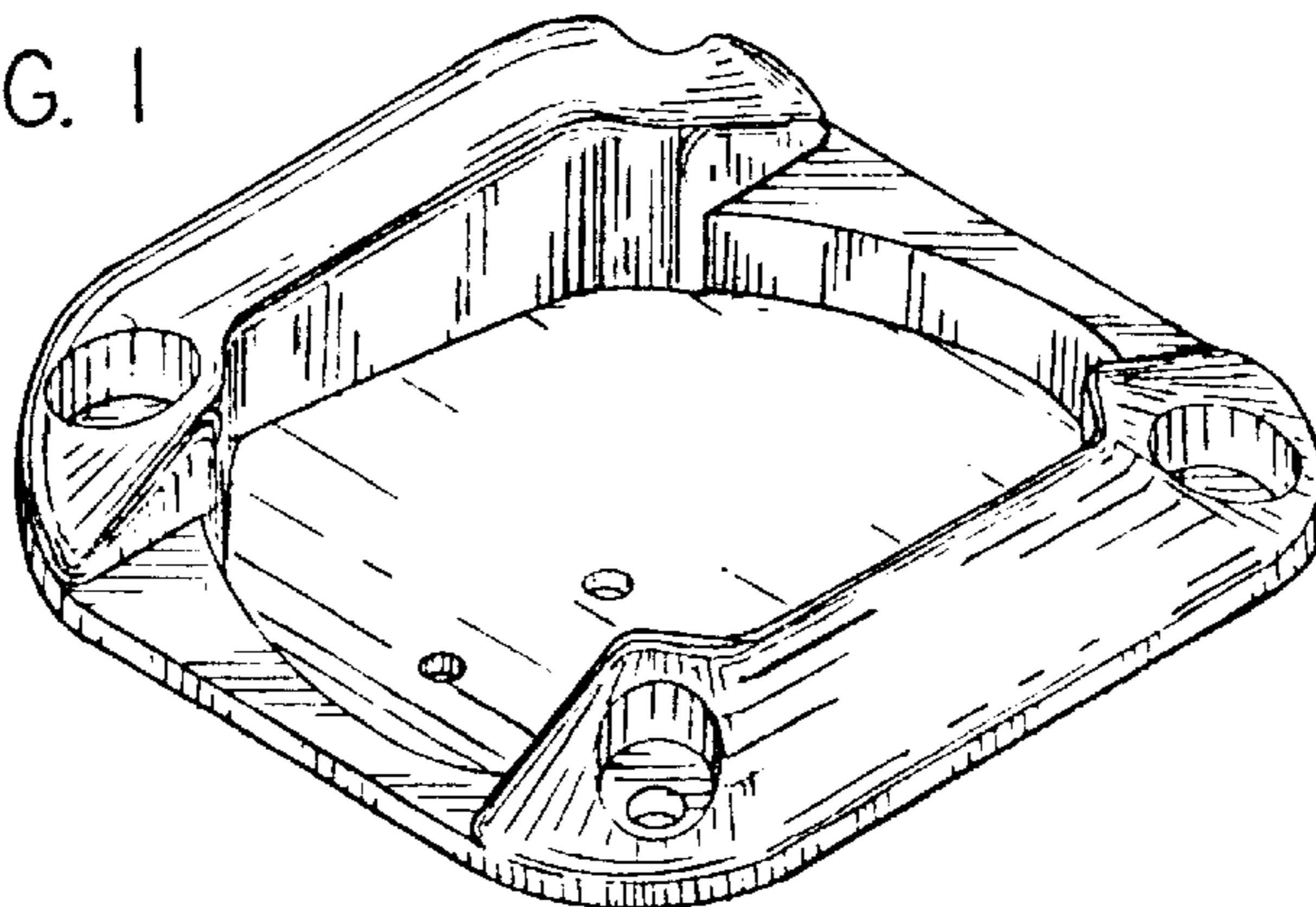


FIG. 4

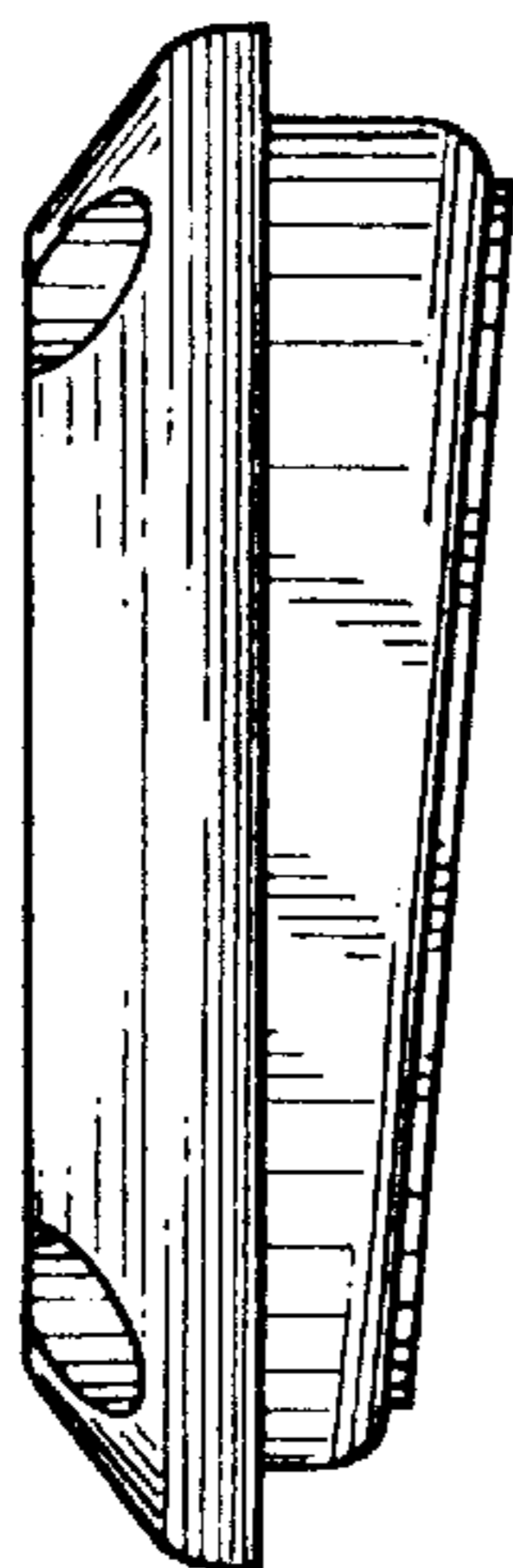


FIG. 2

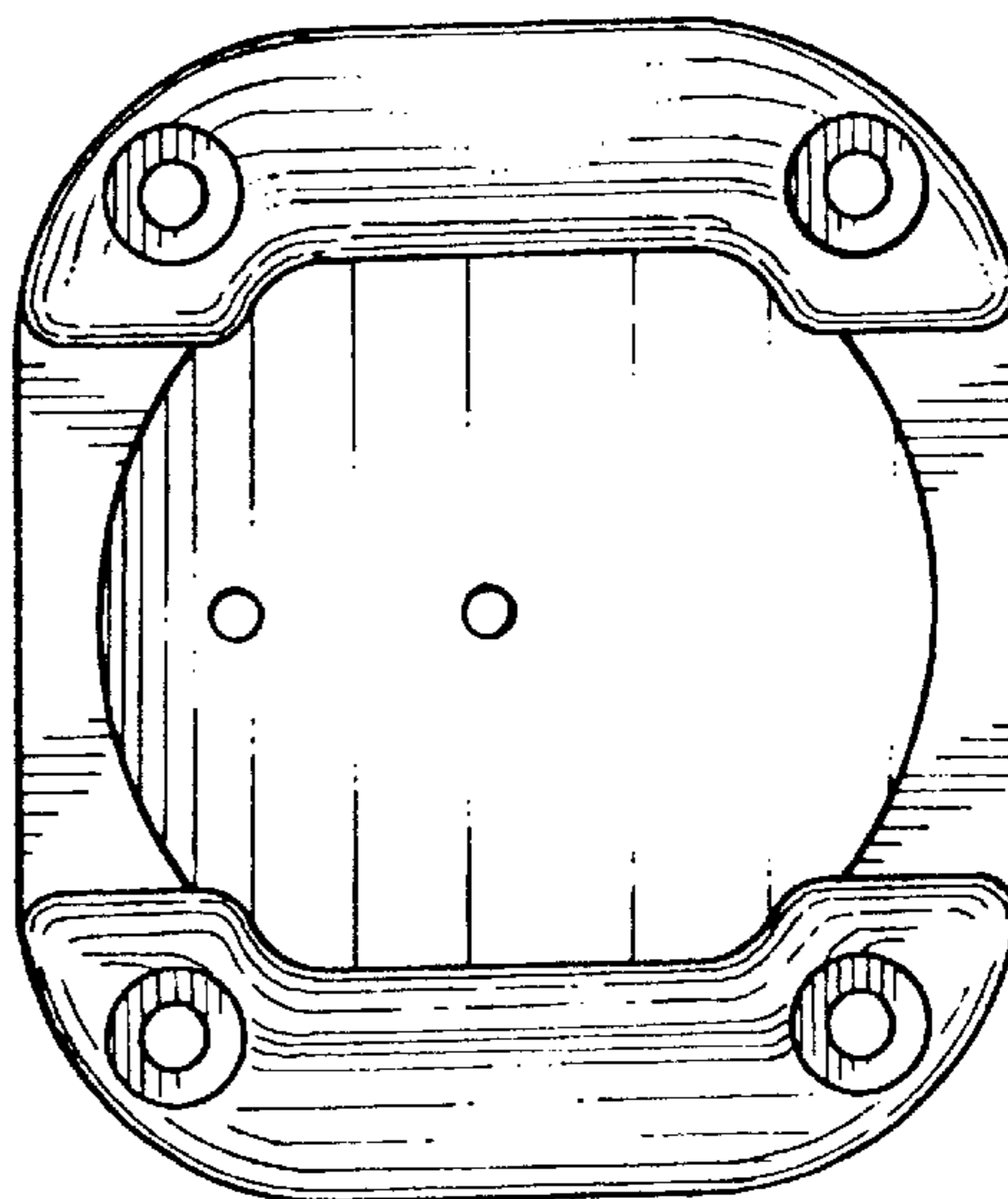


FIG. 3

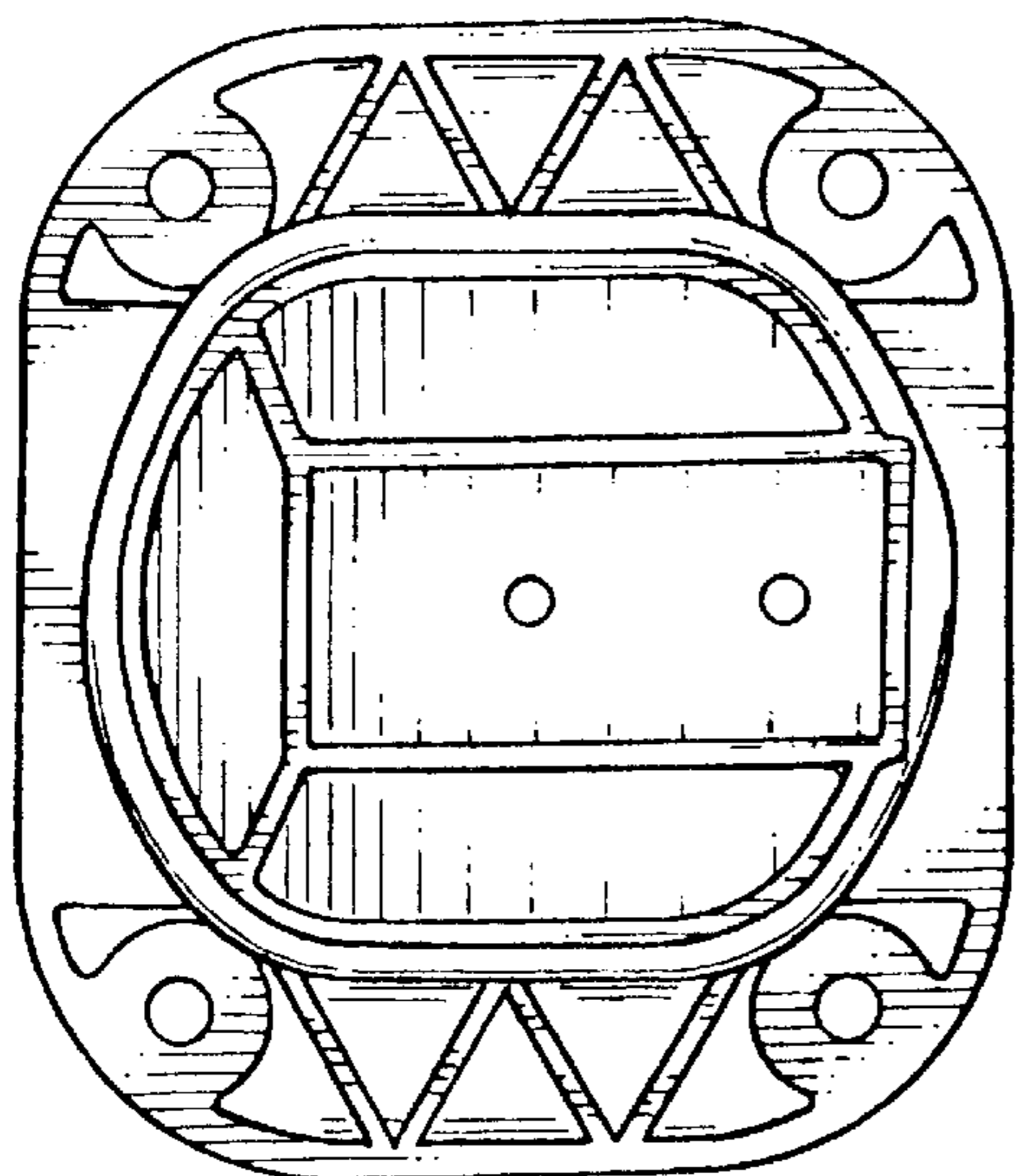
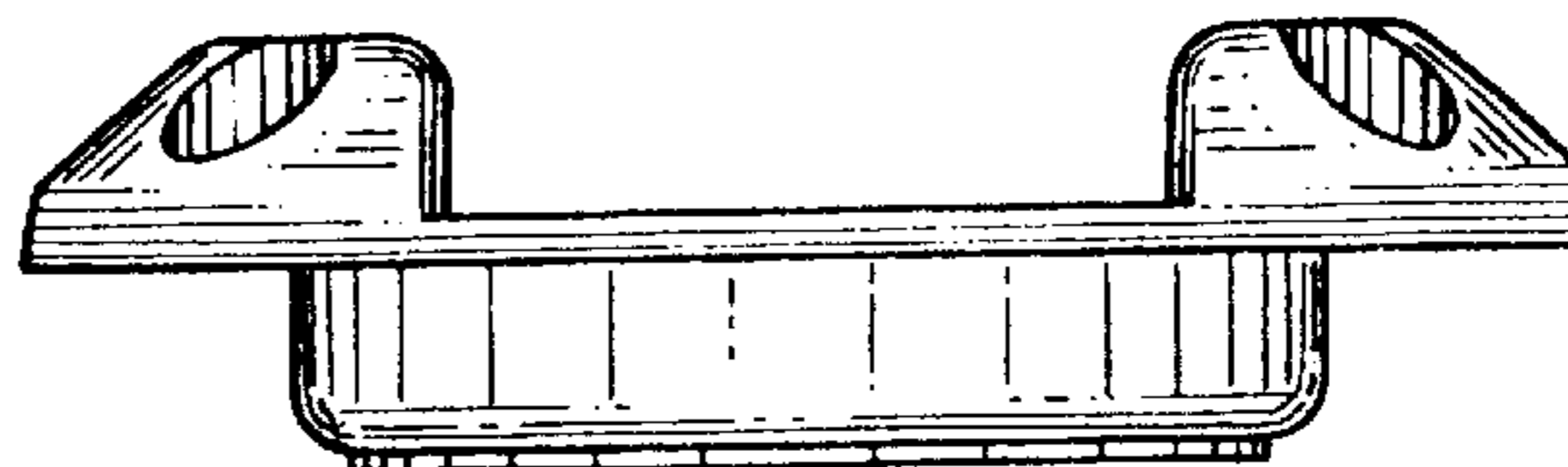


FIG. 5



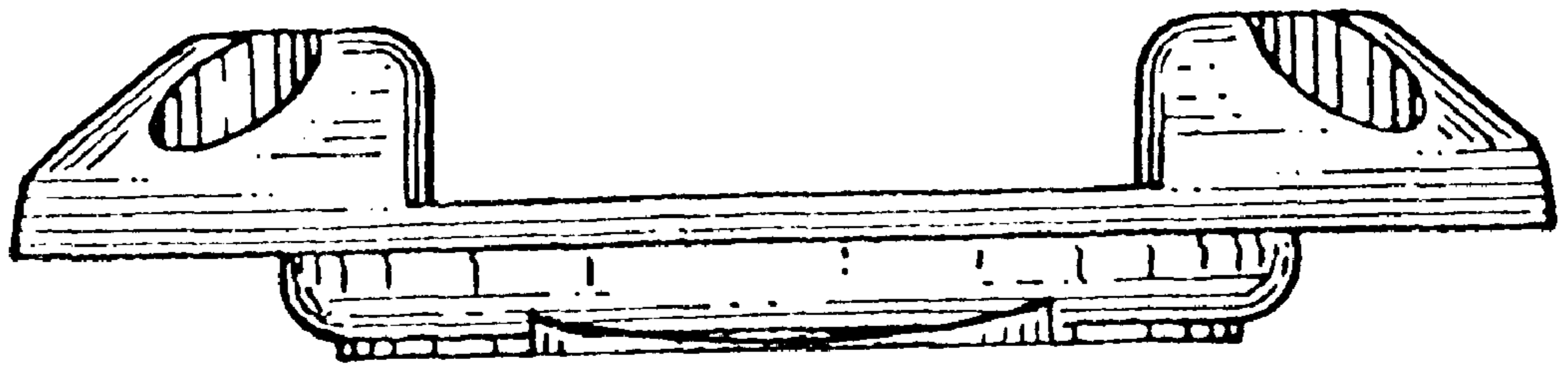


FIG. 6