



US00D417378S

United States Patent [19] Smith

[11] Patent Number: Des. 417,378

[45] Date of Patent: ** Dec. 7, 1999

[54] SCISSOR CLAMP FOR LOGS

[76] Inventor: Robert J. Smith, 750 E. Hill Rd.,
Ludlow, Vt. 05149

[**] Term: 14 Years

[21] Appl. No.: 29/094,173

[22] Filed: Sep. 28, 1998

[51] LOC (6) Cl. 08-05

[52] U.S. Cl. D8/72

[58] Field of Search D8/70-73; 606/142,
606/131; 269/86, 96-98, 110, 112

[56] **References Cited**

U.S. PATENT DOCUMENTS

- D. 350,892 9/1994 Sorensen D8/72 X
- D. 399,729 10/1998 Chen D8/72 X
- 5,797,922 8/1998 Hessel et al. 606/142 X

Primary Examiner—Antoine Duval Davis
Attorney, Agent, or Firm—Norman B. Rainer

[57] **CLAIM**

The ornamental design for a scissor clamp for logs, as shown and described.

DESCRIPTION

FIG. 1 is a front view of a scissor clamp for logs showing my new design, and shown in its closed state in gripping relationship with a log, shown in phantom, and further shown in association with support structure, also shown in phantom;

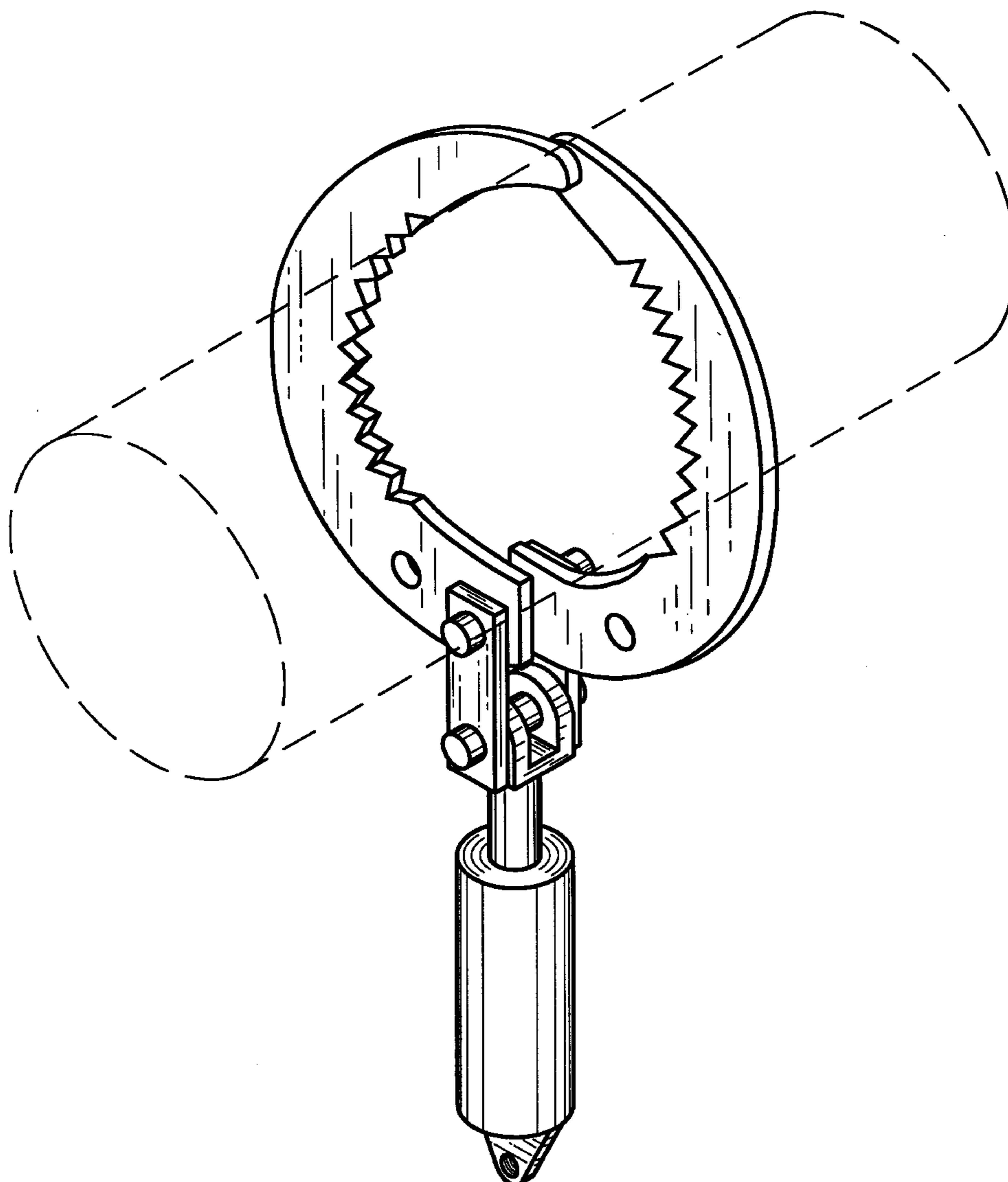
FIG. 2 is a side view thereof;

FIG. 3 is a top view thereof;

FIG. 4 is a front and side perspective view thereof; and,

FIG. 5 is a front view thereof in its open state, the rear view thereof being the same as said front view.

1 Claim, 2 Drawing Sheets



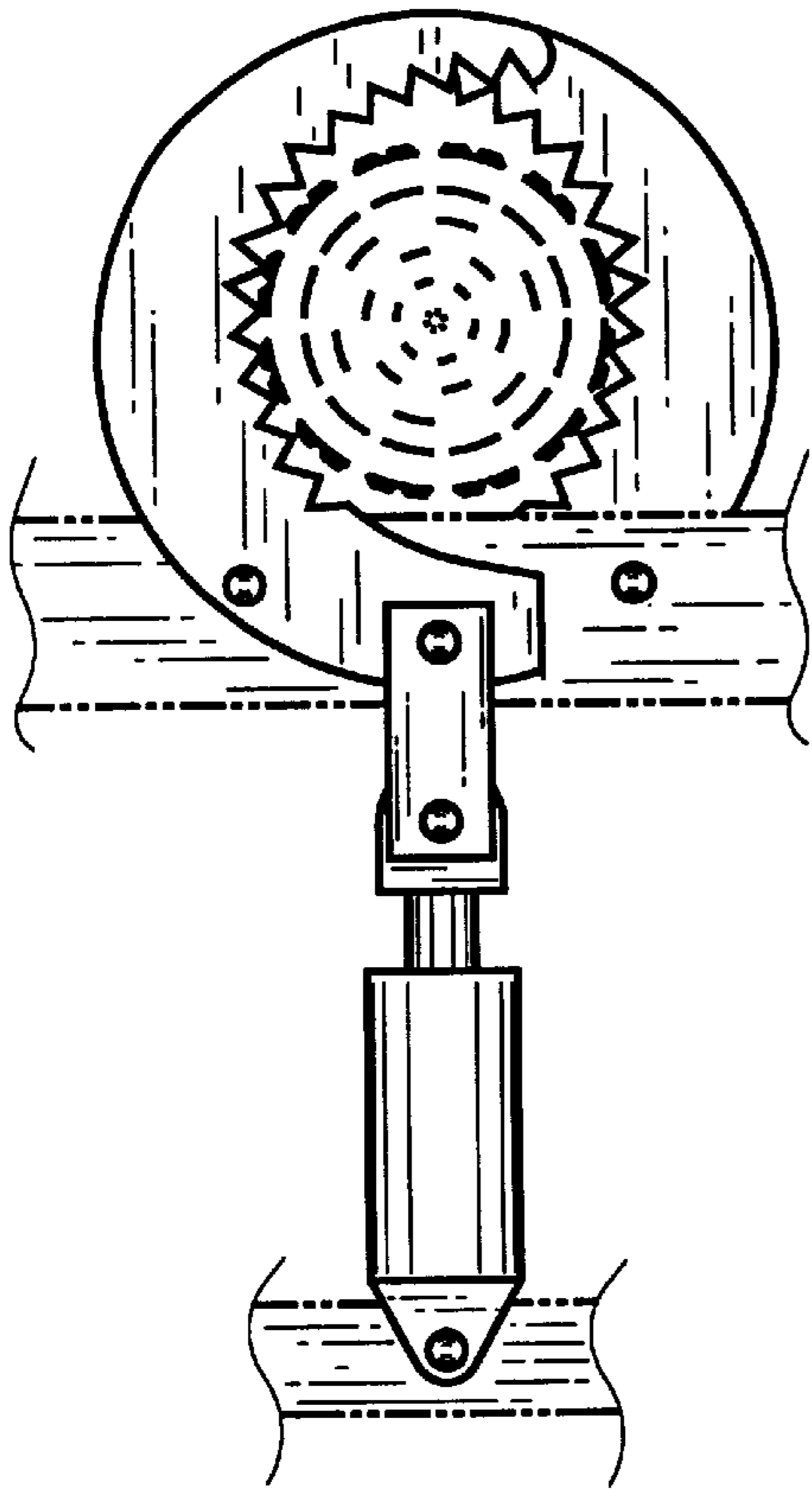


Fig.1

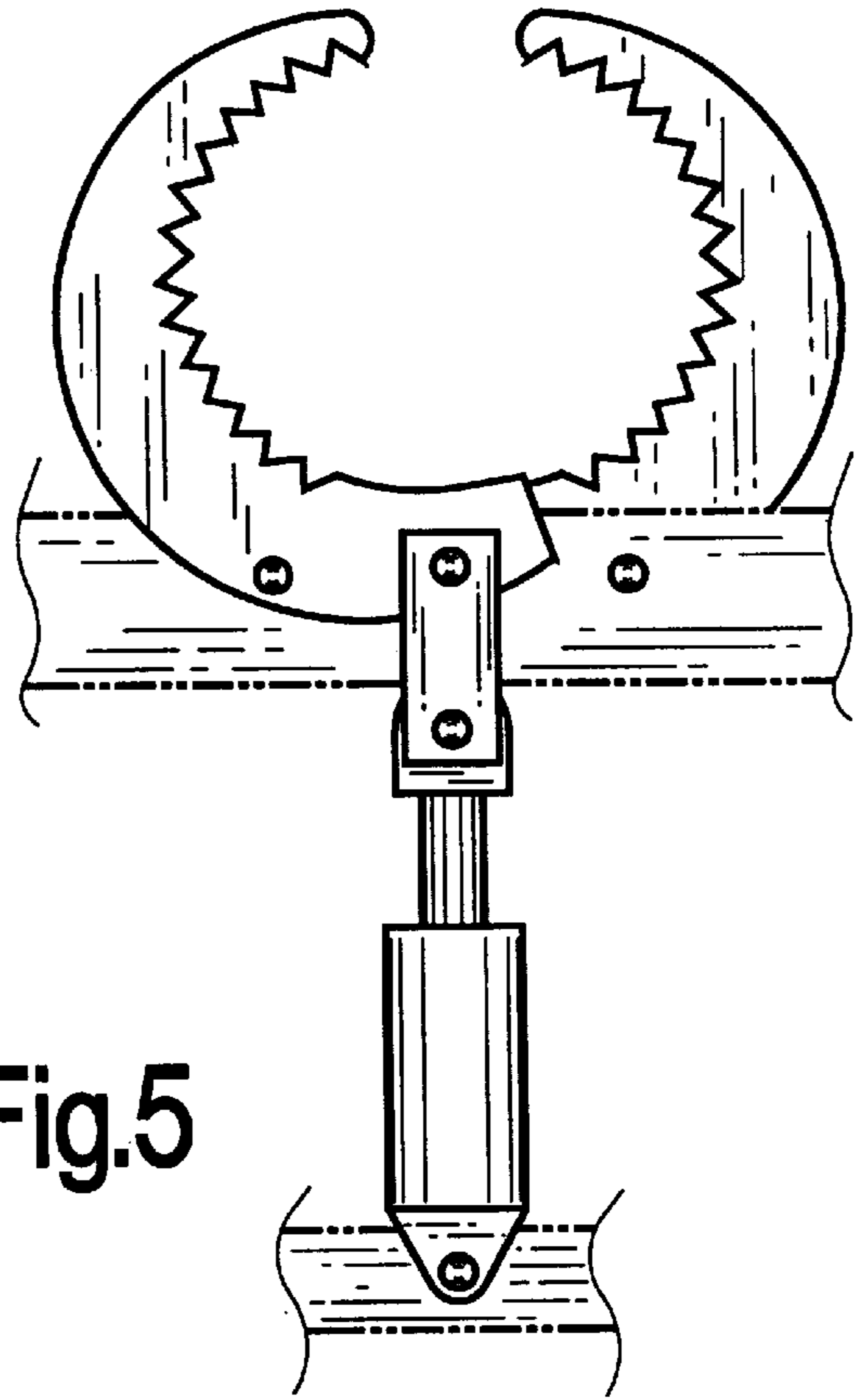


Fig.5

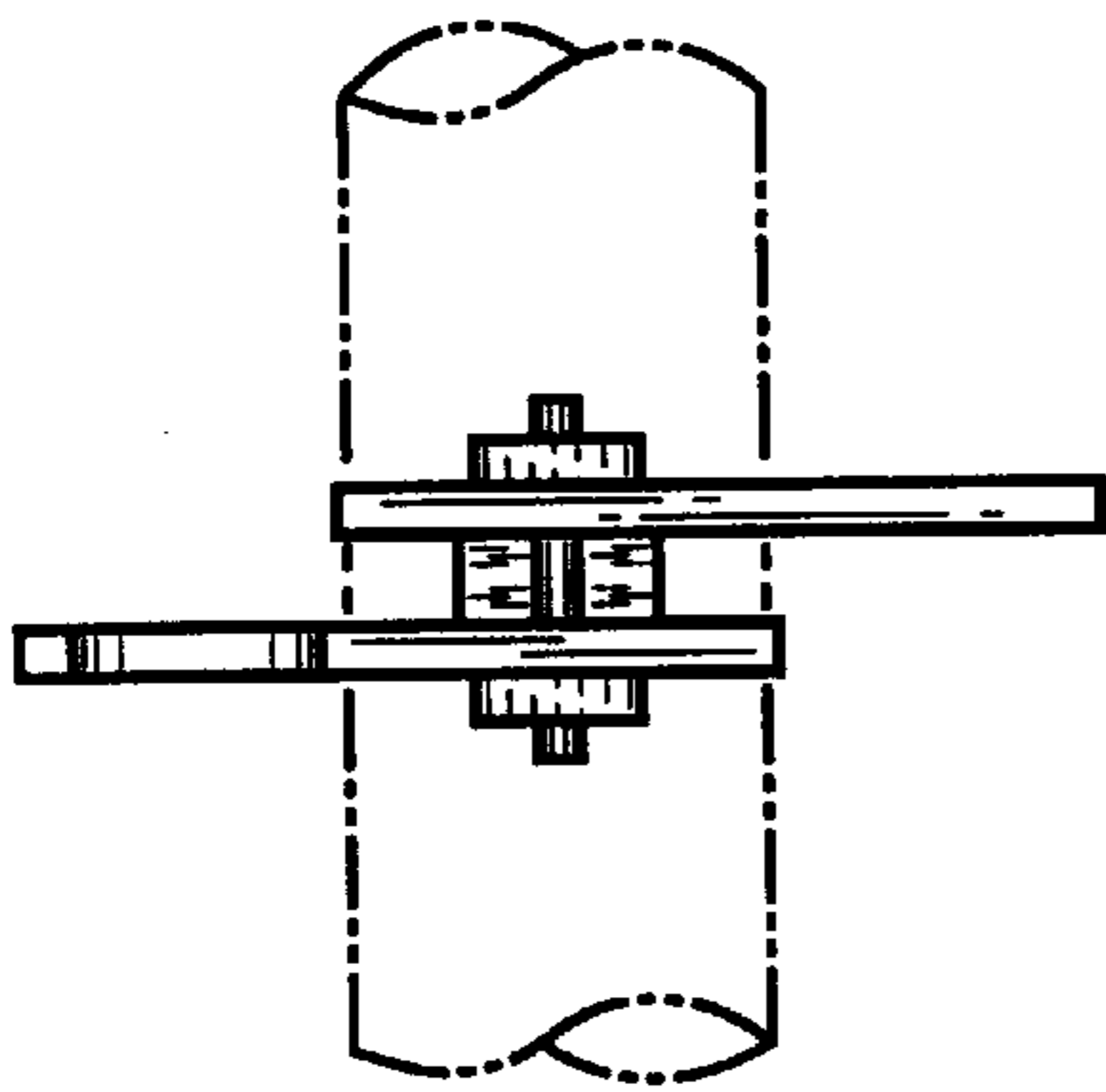


Fig.3

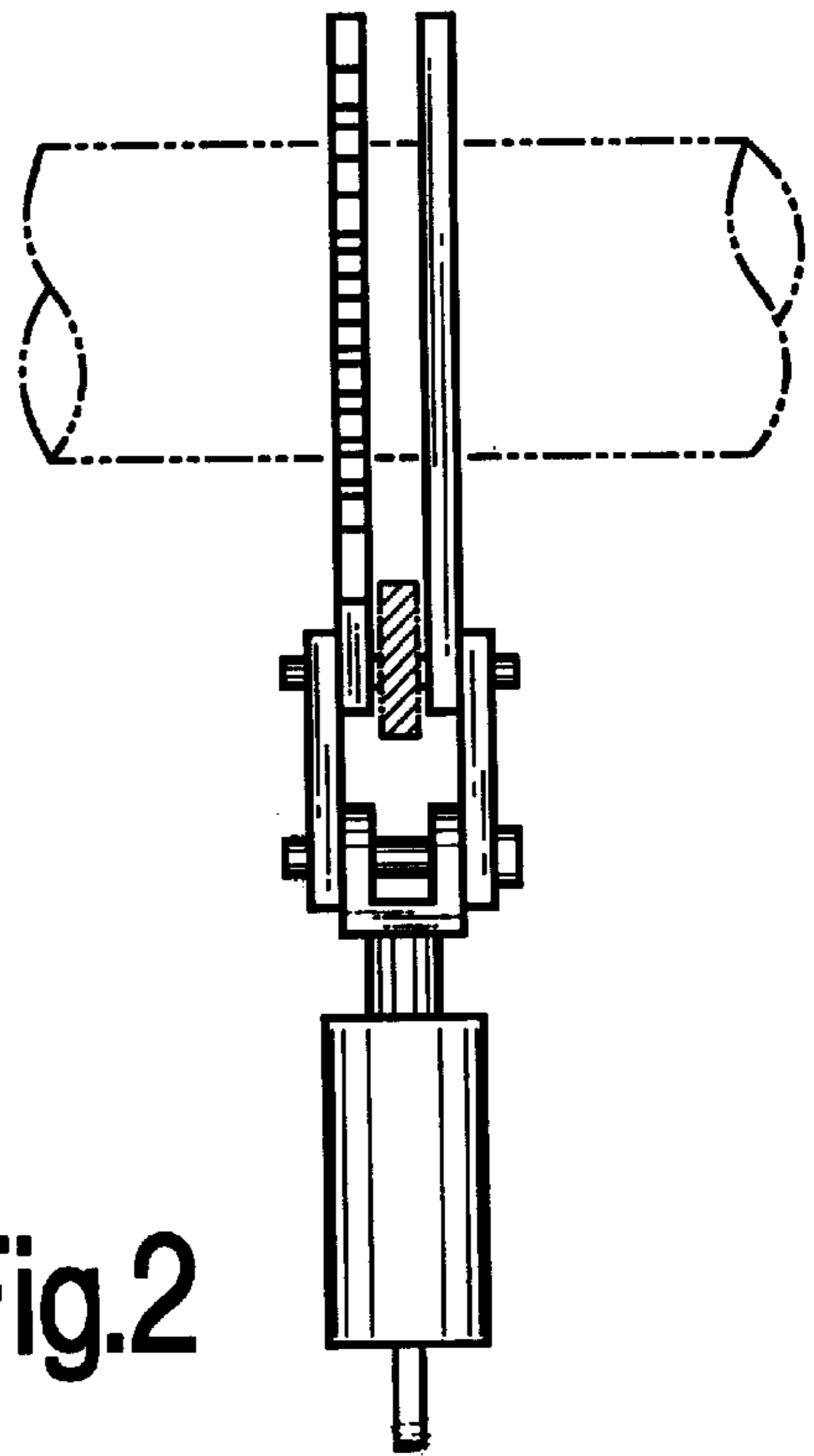


Fig.2

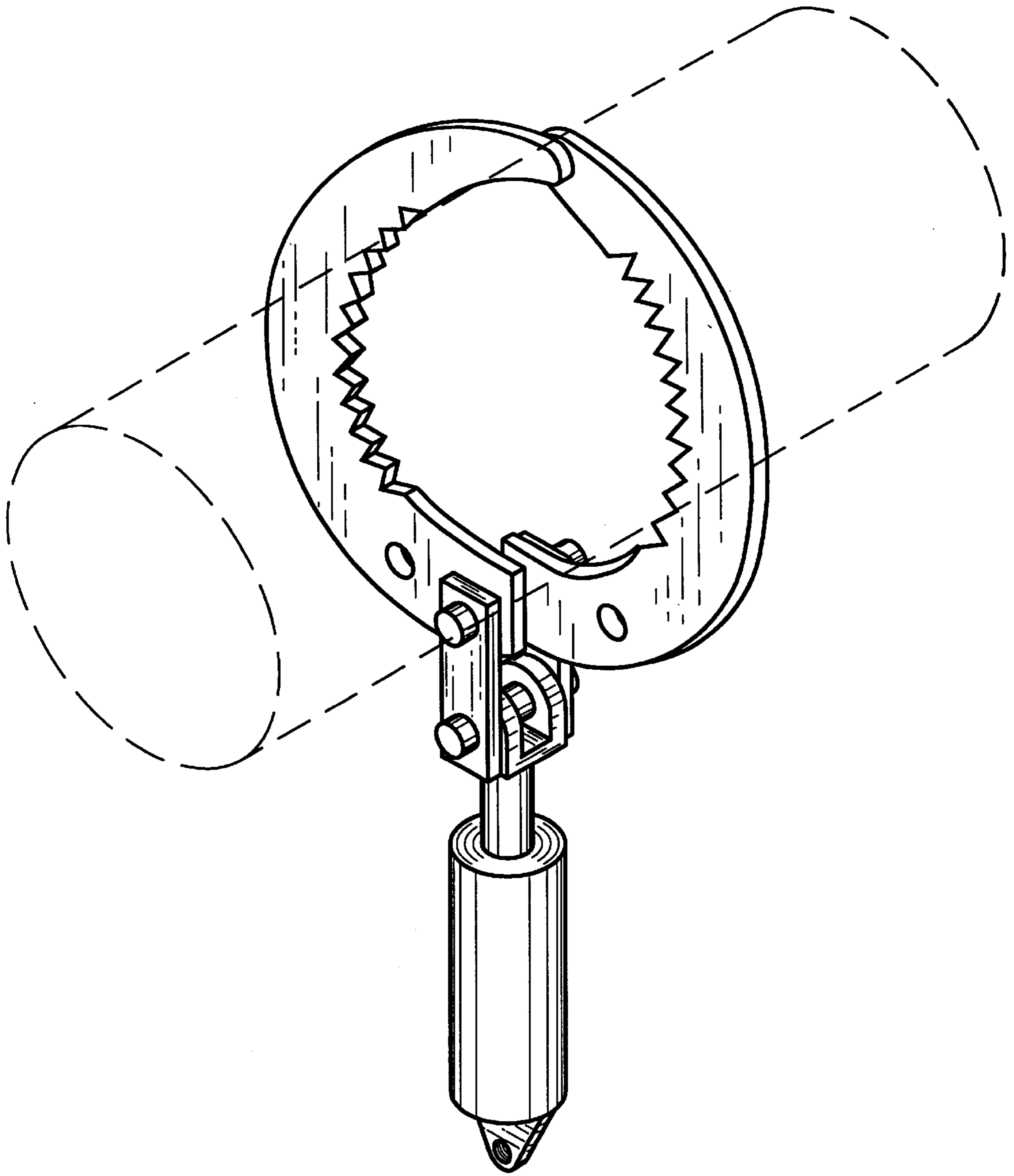


Fig.4