



US00D417377S

United States Patent [19]

[11] **Patent Number: Des. 417,377**

Blank et al.

[45] **Date of Patent: ** Dec. 7, 1999**

[54] ONE-HANDED ADJUSTABLE CLAMP

DESCRIPTION

[75] Inventors: **Stefan Blank**, Neuwied; **Zbigniew Noniewicz**, Kempenich; **Klemens Degen**, Weibern; **Hans-Jürgen Schüller**, Königfeld, all of Germany

FIG. 1 is a side elevational view of the one-handed adjustable clamp of the present invention;

[73] Assignee: **Wolfcraft GmbH**, Kempenich, Germany

FIG. 2 is an enlarged side view of the fixed clamp arm and the adjustable clamp arm of the adjustable clamp of FIG. 1, with an end portion of the clamp bar removed;

[**] Term: **14 Years**

FIG. 3 is a side view of the clamp arms taken from the right side of FIG. 2;

[21] Appl. No.: **29/089,157**

FIG. 4 is a side view of the clamp arms taken from the left side of FIG. 2;

[22] Filed: **Jun. 9, 1998**

FIG. 5 is an end view of the adjustable clamp taken from the bottom end of FIG. 1;

[30] Foreign Application Priority Data

Dec. 9, 1997 [DE] Germany M 97 11 388

FIG. 6 is an end view of the adjustable clamp taken from the top of FIG. 1; and,

[51] **LOC (6) Cl.** **08-05**

[52] **U.S. Cl.** **D8/72**

FIG. 7 is a side elevational view of the side of the clamp arms opposite to the side of FIG. 2.

[58] **Field of Search** D8/72, 394; 24/459, 24/494, 498-499, 538, 504, 516-517, 492

The adjustable clamp has a fixed jaw attached to an end of a clamp bar with a movable jaw movable along the bar. To cause a clamping of an object between the fixed and movable jaw, the movable jaw has a lever which moves the movable jaw against the object to apply pressure and has a second lever which releases the jaw and allows an opening of the jaw along the bar in a direction away from the fixed jaw removing the object.

[56] References Cited

U.S. PATENT DOCUMENTS

D. 355,104 2/1995 Sorensen et al. D8/72

D. 366,820 2/1996 Wooster, Jr. et al. D8/72

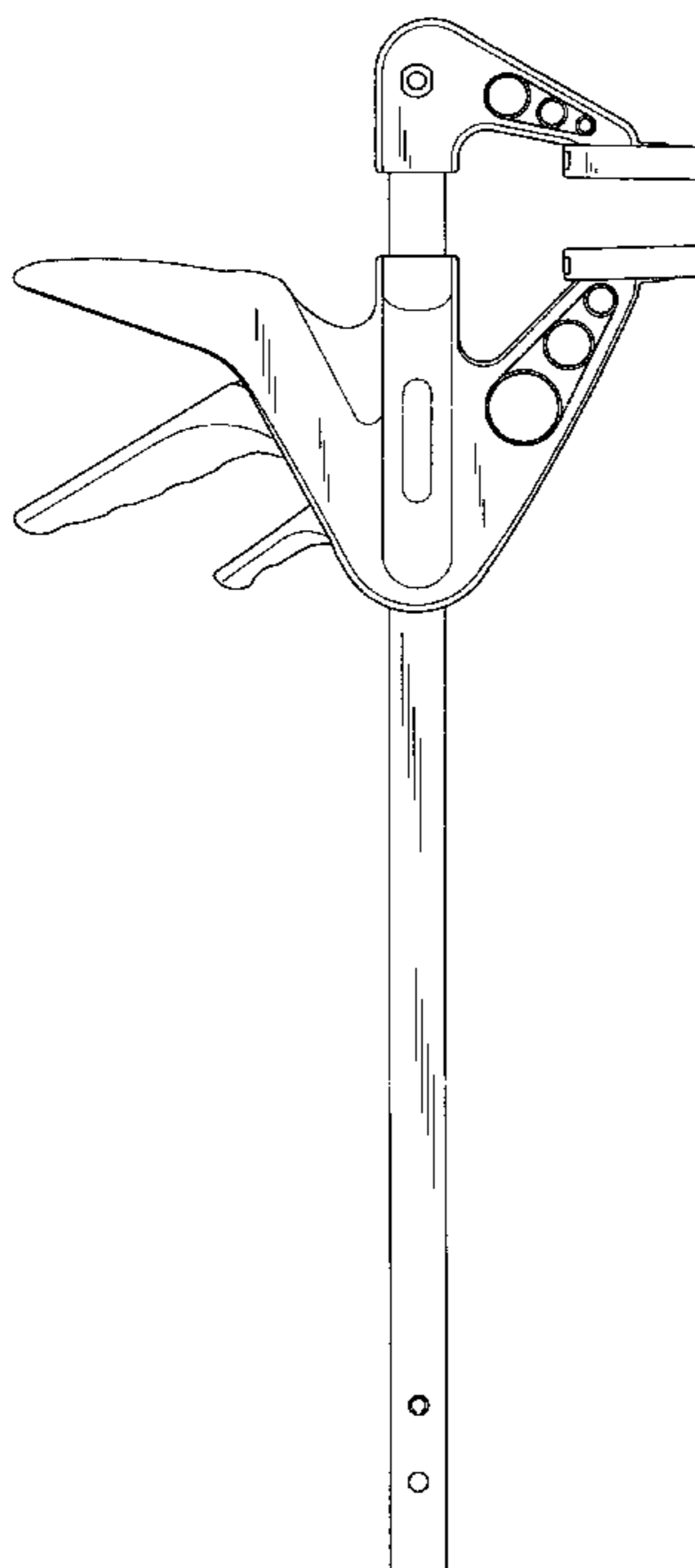
The clamp is partially shown in the remaining figures for ease of illustration.

Primary Examiner—Holly Baynham
Attorney, Agent, or Firm—Hill & Simpson

[57] CLAIM

The ornamental design for a one-handed adjustable clamp, as shown and described.

1 Claim, 5 Drawing Sheets



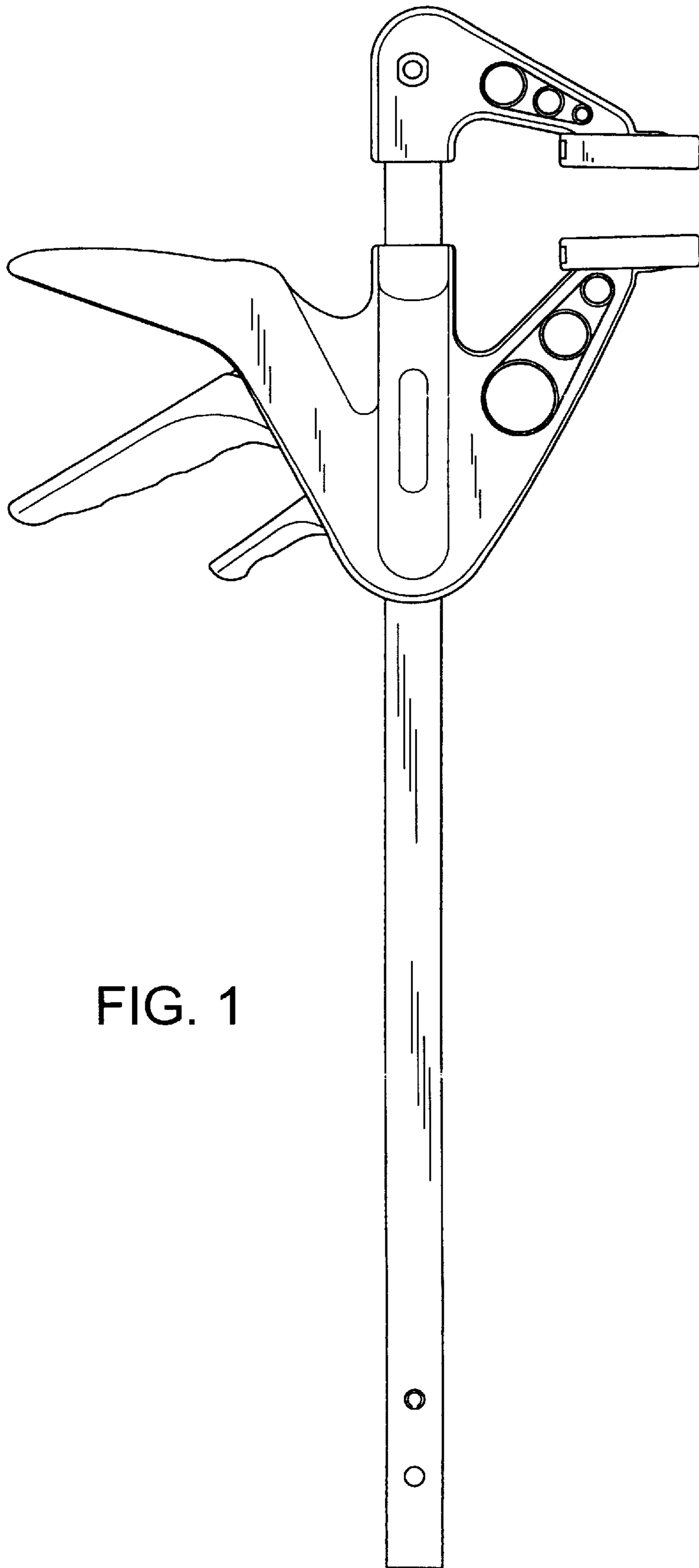


FIG. 1

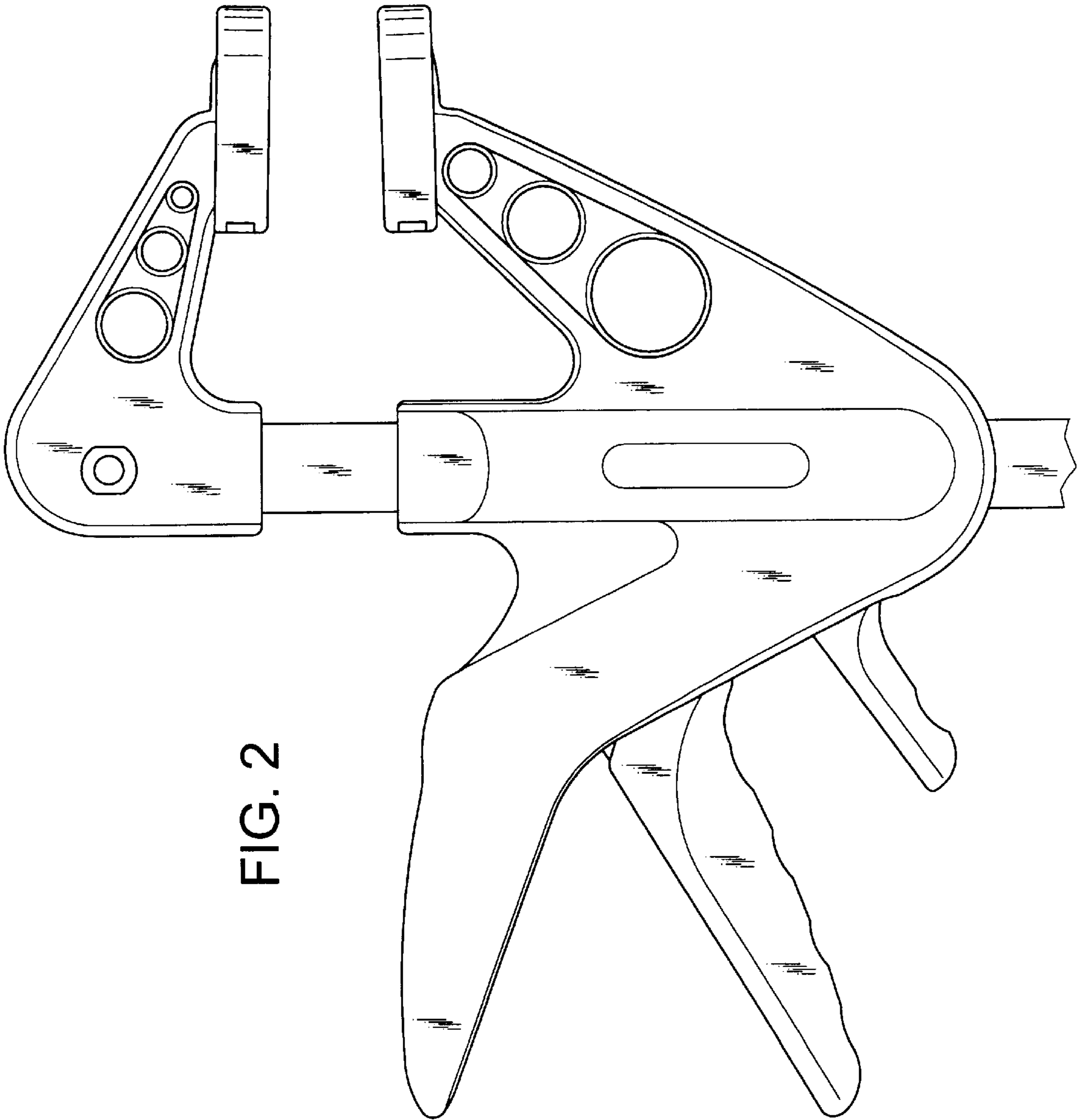


FIG. 2

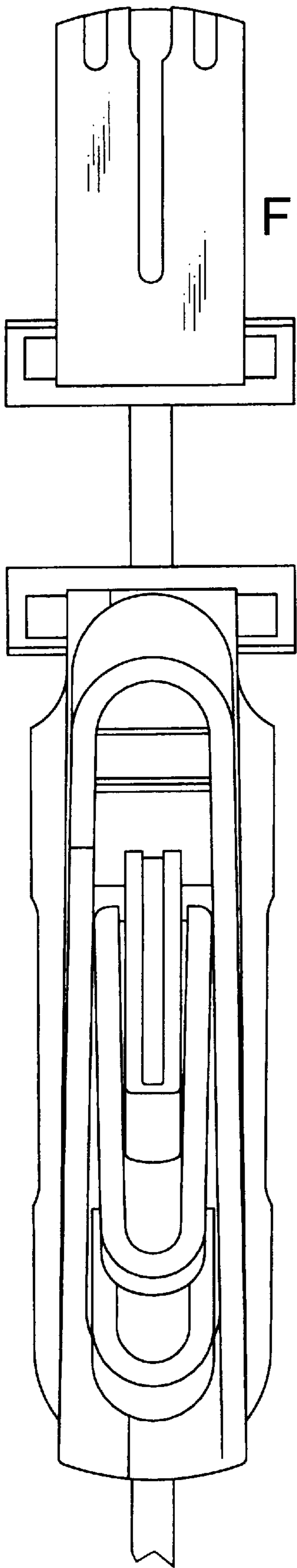


FIG. 4

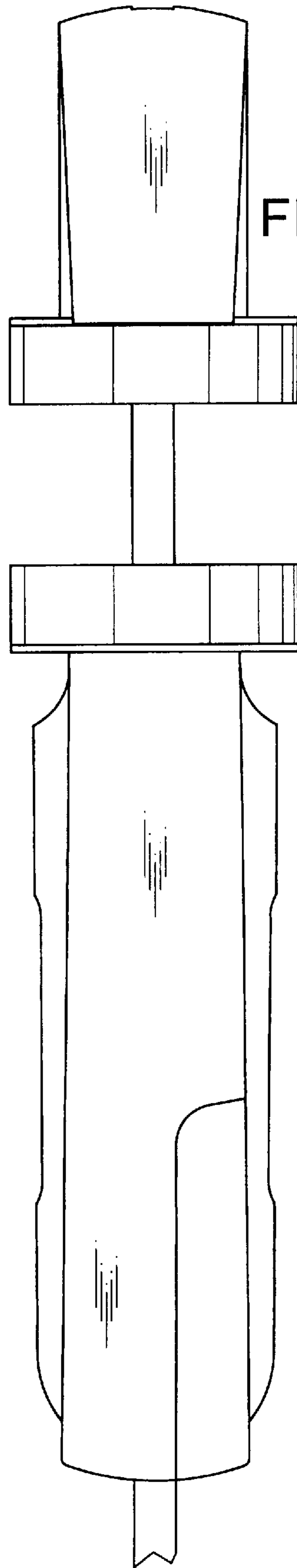


FIG. 3

FIG. 5

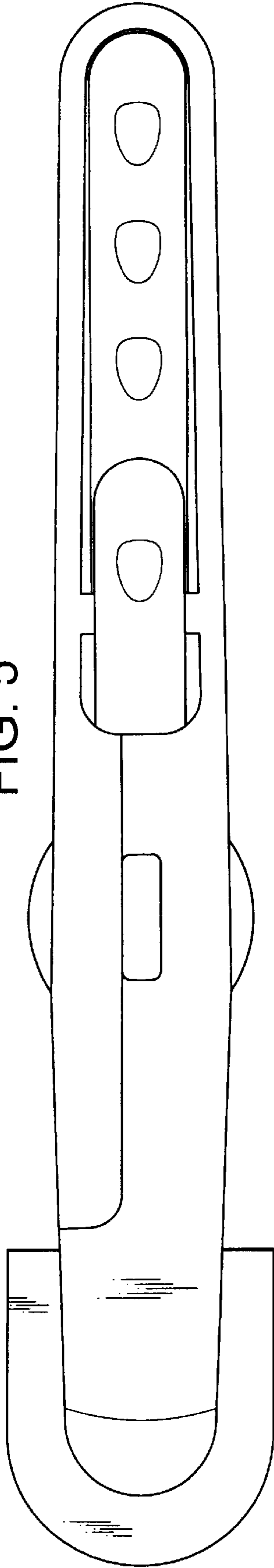


FIG. 6

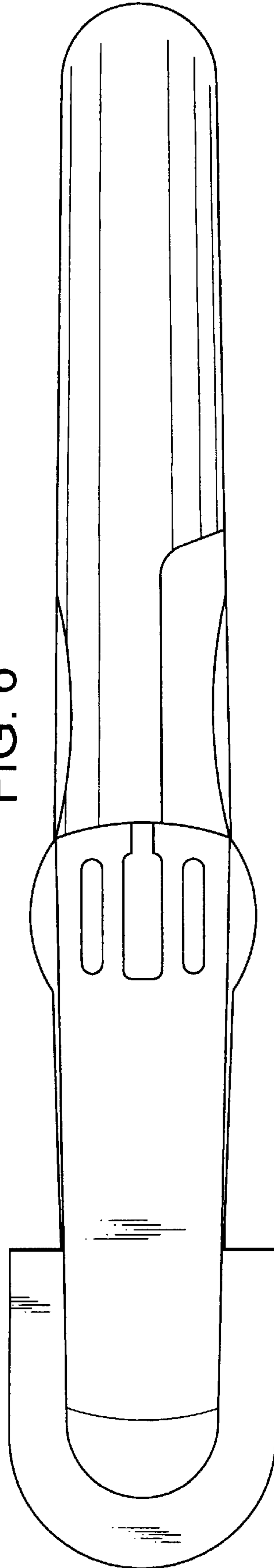


FIG. 7

