



US00D417368S

United States Patent [19]
O'Neill

[11] **Patent Number: Des. 417,368**

[45] **Date of Patent: ** Dec. 7, 1999**

[54] **INSULATED CONTAINER HOLDER**

[76] Inventor: **Brian O'Neill**, 2305 Basil Dr., #202D,
Arlington, Tex. 76006

[**] Term: **14 Years**

[21] Appl. No.: **29/099,264**

[22] Filed: **Jan. 15, 1999**

[51] **LOC (6) Cl.** **07-06**

[52] **U.S. Cl.** **D7/606**

[58] **Field of Search** D7/604, 606, 628;
D9/307, 455; D19/82; 215/395-398; 220/737-739,
902, 903, 906, 907

[56] **References Cited**

U.S. PATENT DOCUMENTS

D. 282,136 1/1986 Skermetta D7/675
4,721,216 1/1988 Kinder 215/393

Primary Examiner—Terry A. Wallace
Attorney, Agent, or Firm—George L. Williamson

[57] **CLAIM**

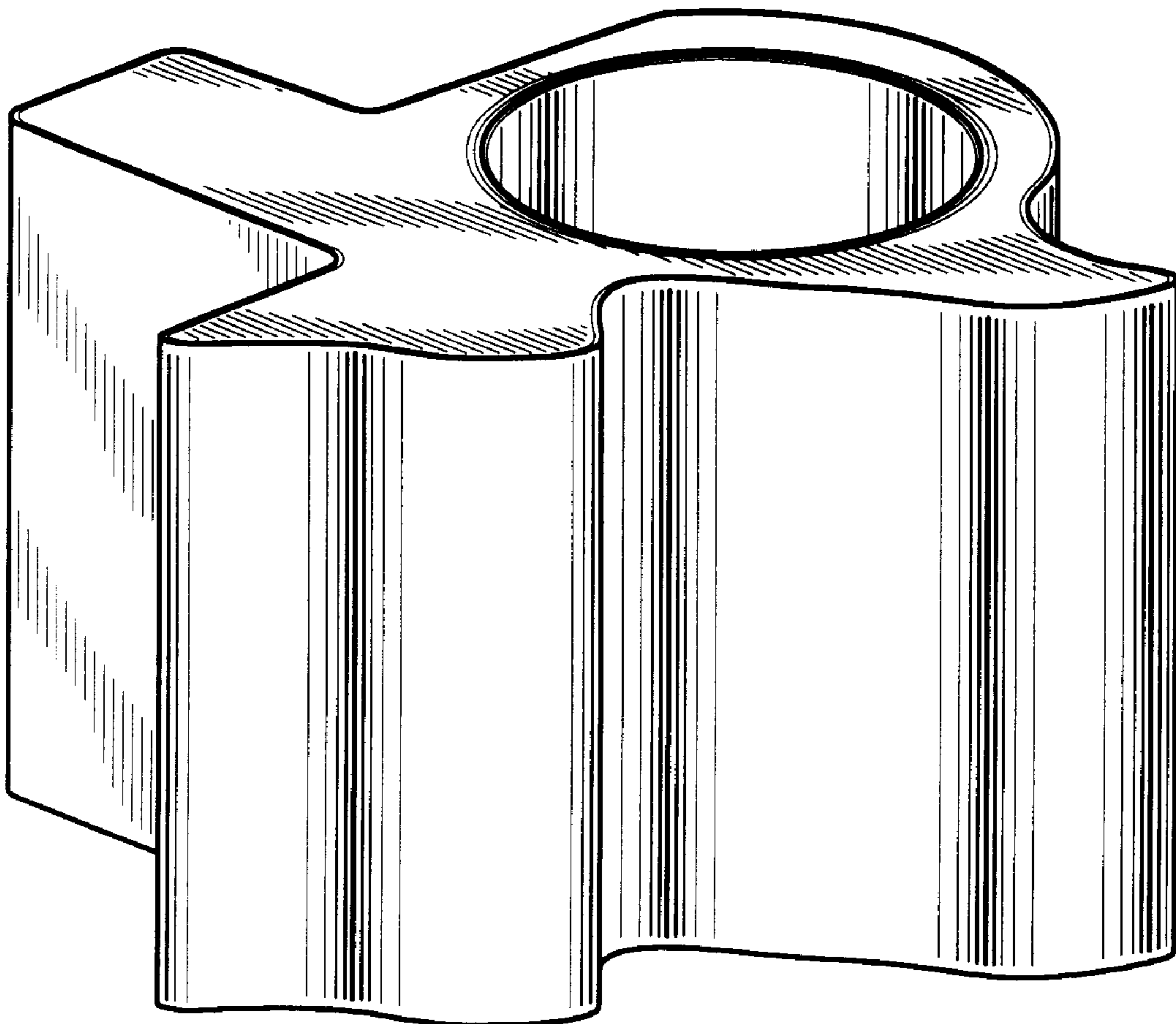
The ornamental design for an insulated container holder, as shown and described.

DESCRIPTION

FIG. 1 is a perspective view of the new design;
FIG. 2 is a top view thereof;
FIG. 3 is a bottom view thereof;
FIG. 4 is a left side view thereof;
FIG. 5 is a right side view thereof;
FIG. 6 is a front view thereof; and,
FIG. 7 is a back view thereof.

The broken lines are for illustrative purposes only and form no part of the claimed design.

1 Claim, 2 Drawing Sheets



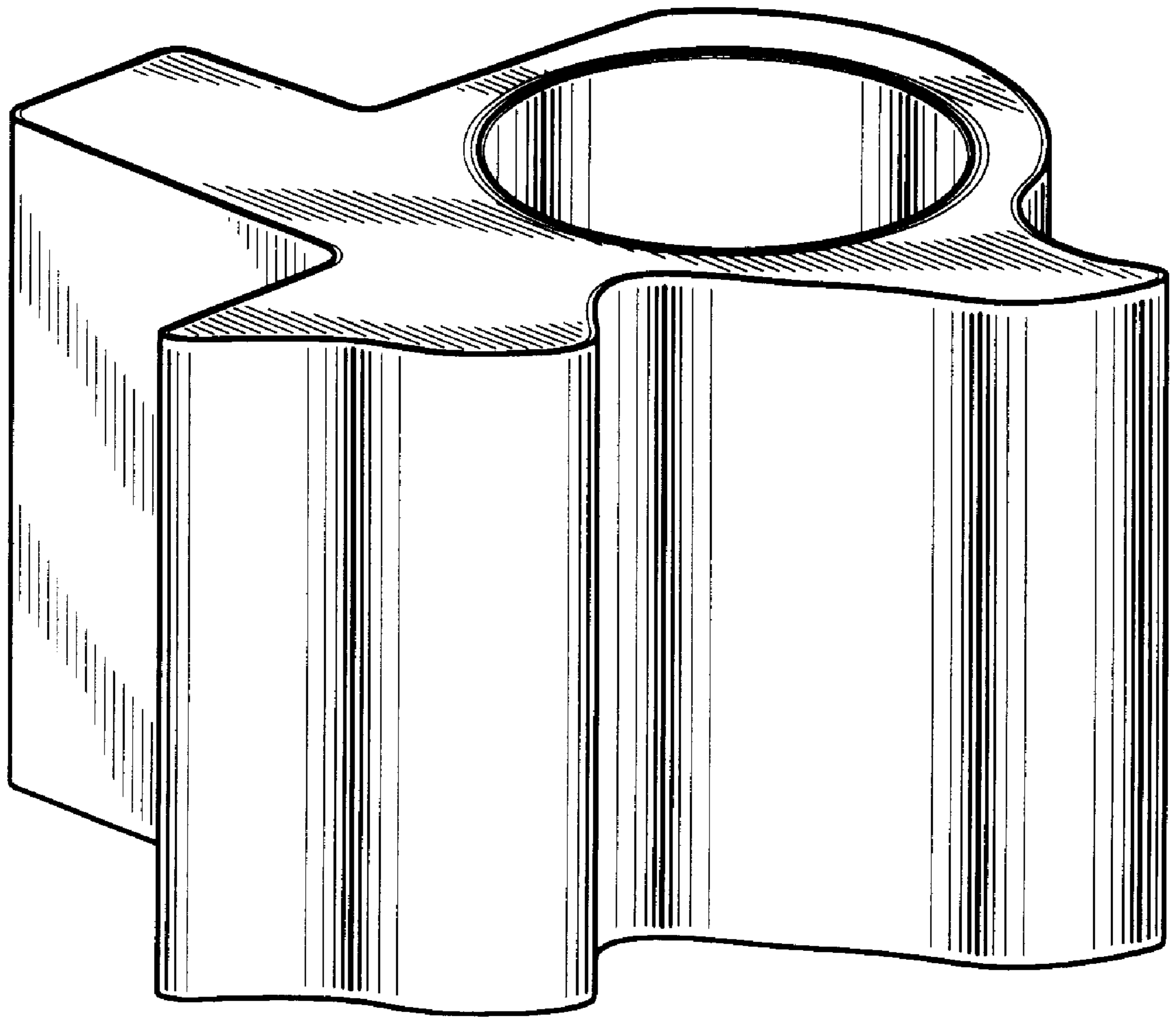


Fig.1

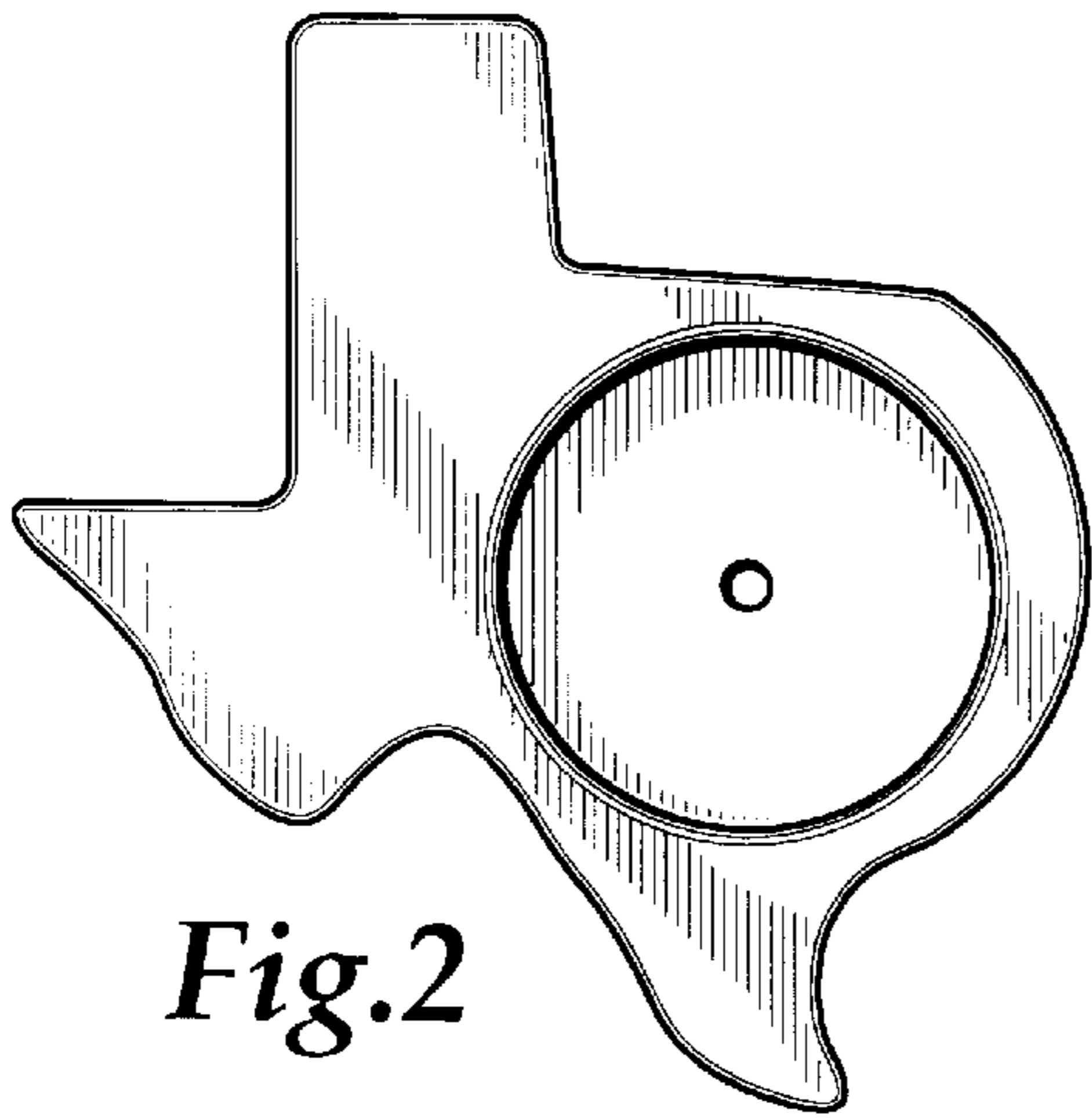


Fig. 2

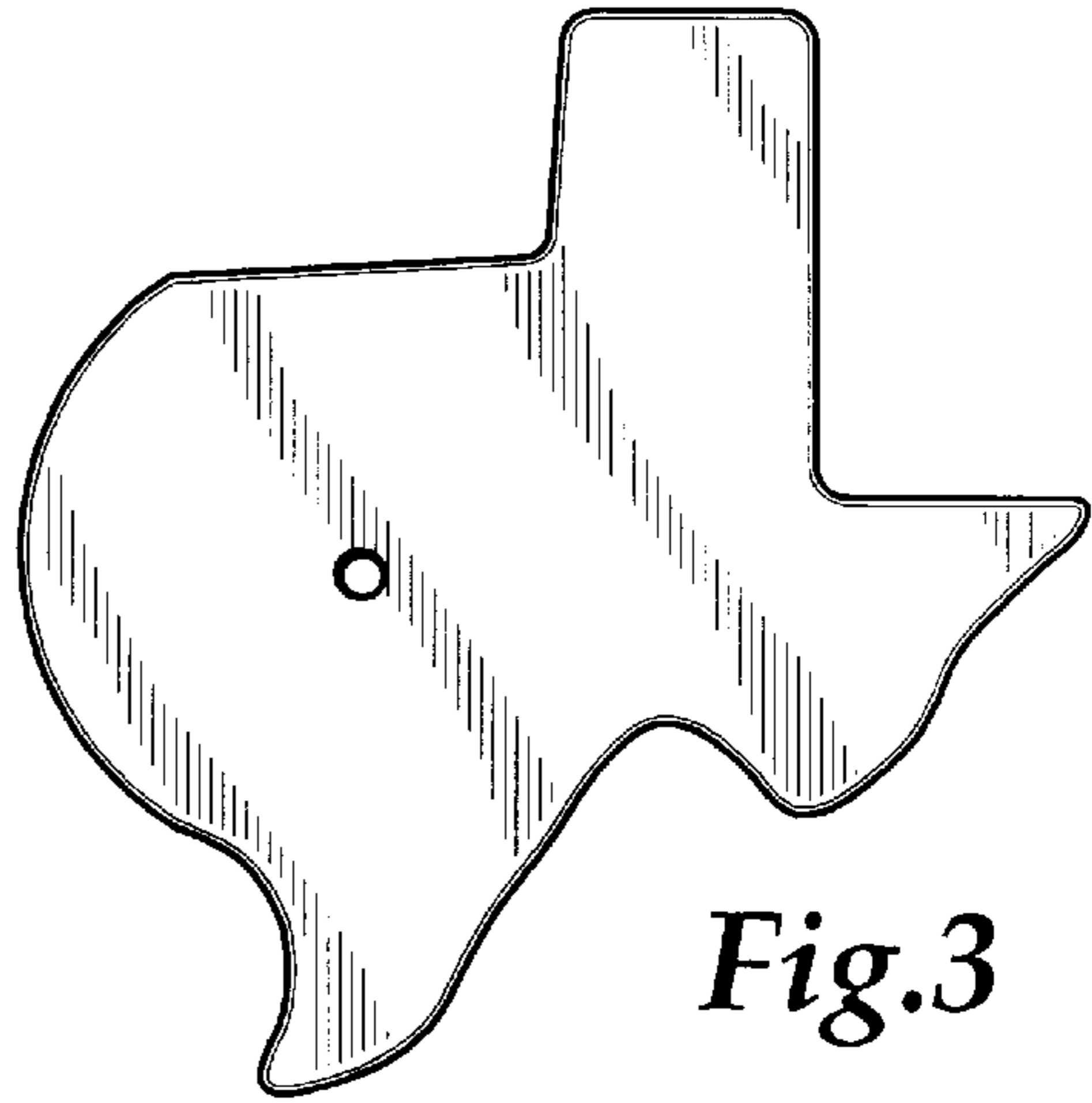


Fig. 3

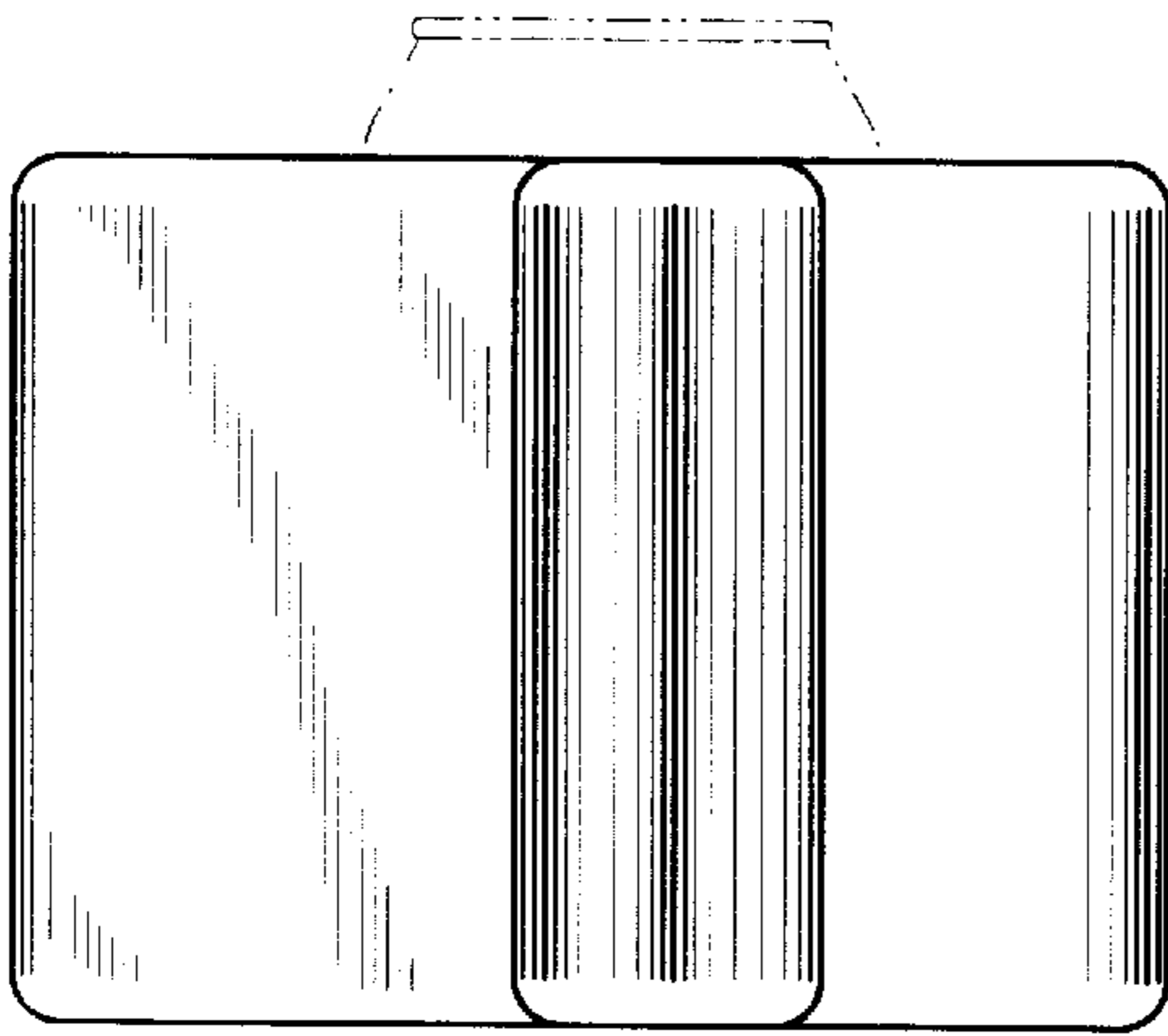


Fig. 4

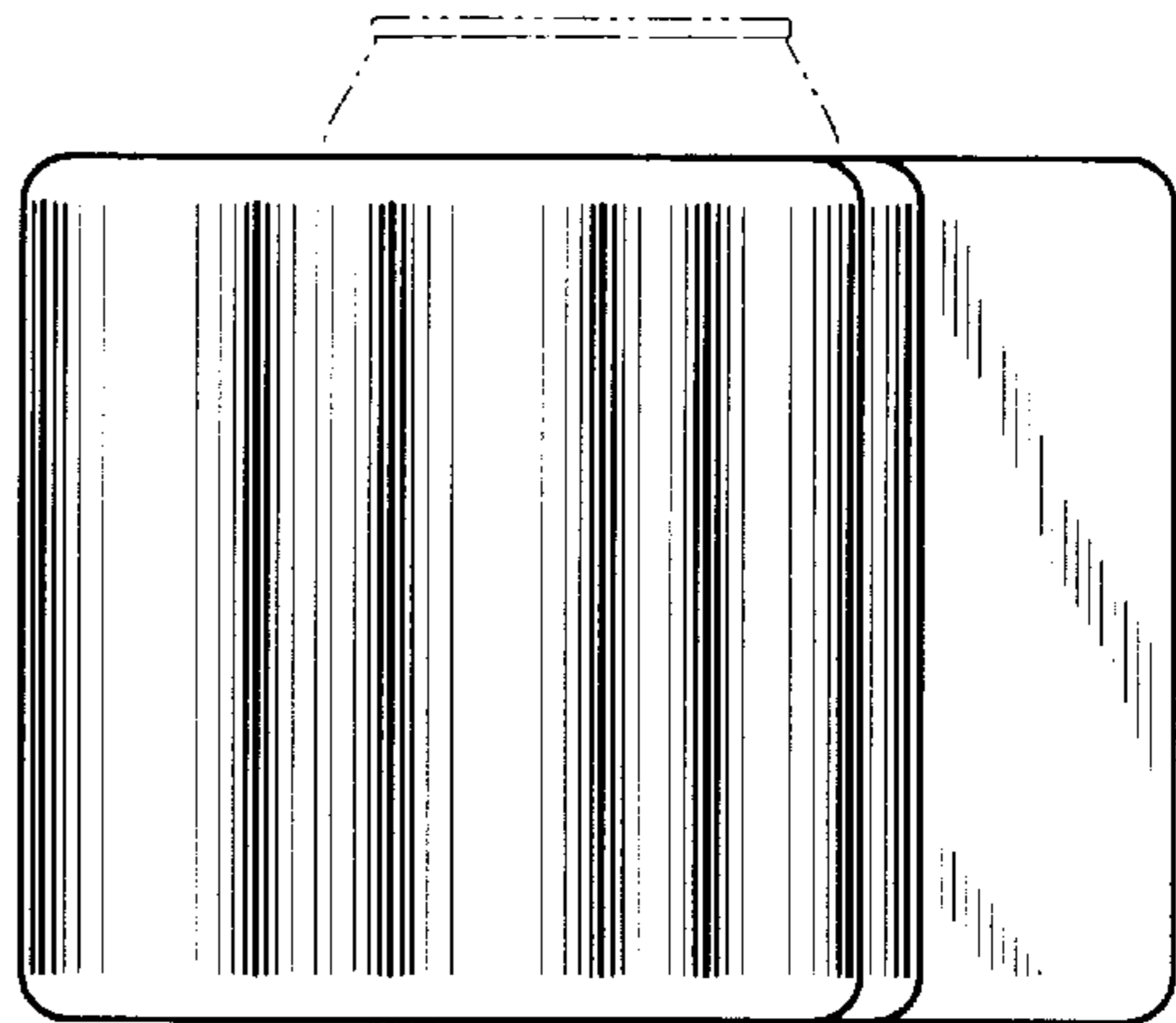


Fig. 5

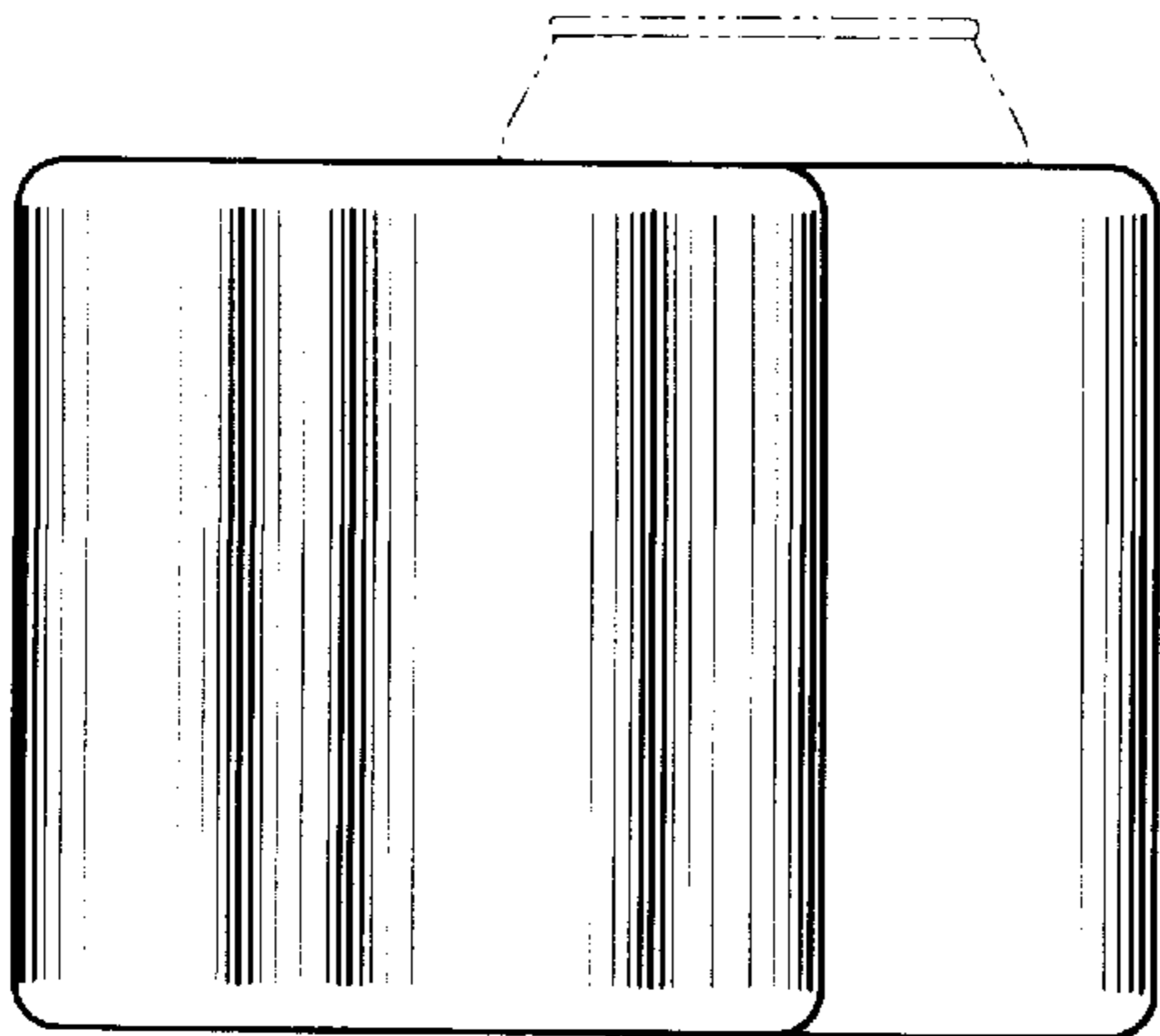


Fig. 6

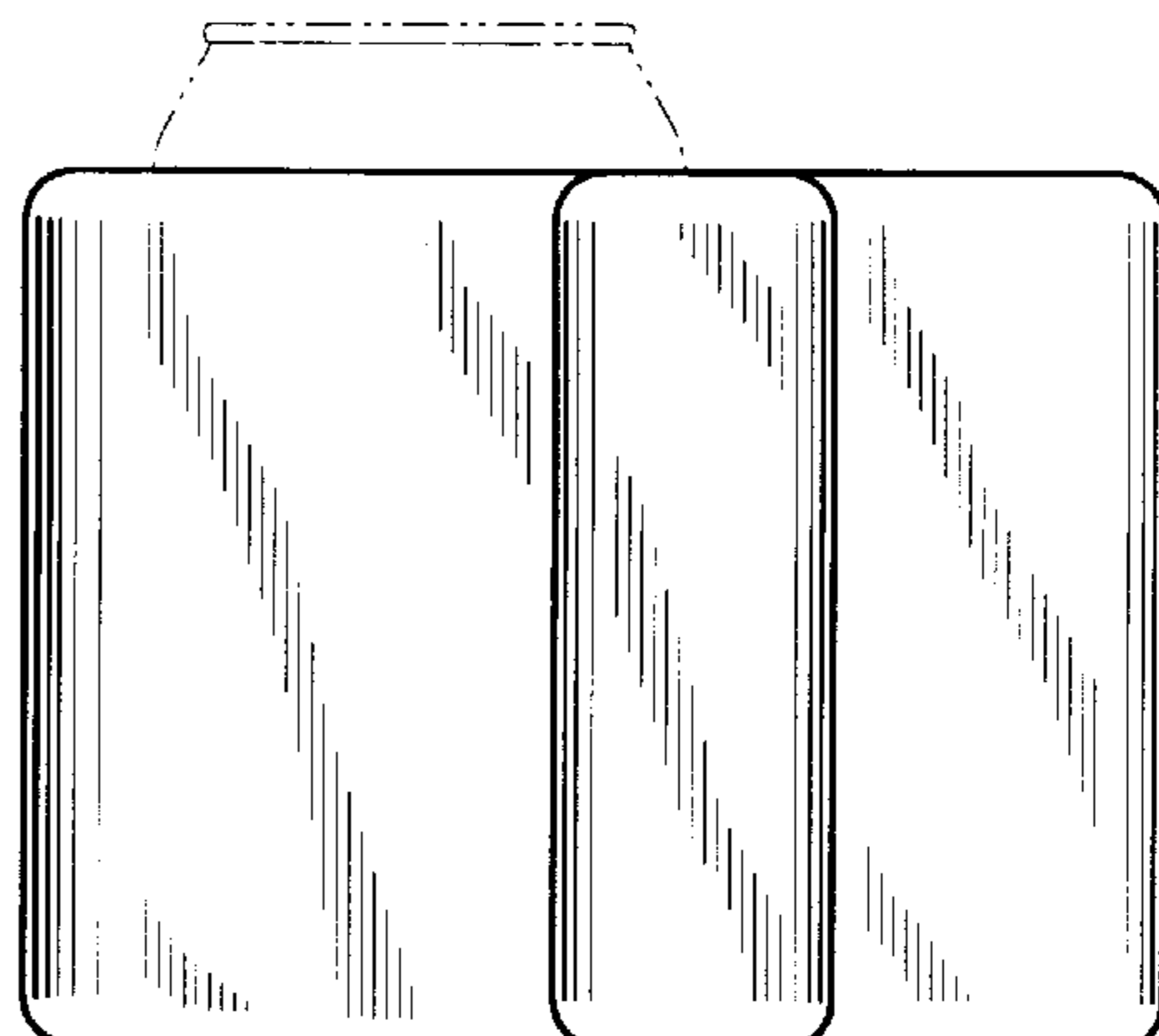


Fig. 7