



US00D417366S

United States Patent [19]

[11] Patent Number: Des. 417,366

Obra

[45] Date of Patent: ** Dec. 7, 1999

[54] CEREAL BOWL

[76] Inventor: **Bart Obra**, 2940 Tenderfoot Hill St., Colorado Springs, Colo. 80906

[**] Term: **14 Years**

[21] Appl. No.: **29/088,541**

[22] Filed: **May 27, 1998**

[51] LOC (6) Cl. **07-01**

[52] U.S. Cl. **D7/549; D7/555**

[58] Field of Search D7/500, 541, 546, D7/549, 553.1, 553.6, 555, 557, 707, 602; D9/341, 345, 347, 425, 428, 432; 206/557, 561, 562, 563, 564; 220/23.8, 23.83, 500, 553, 555, 556, 557, 574; 229/2.5 R, 120.02, 904-906, 120.17

D. 370,598	6/1996	Koch	D7/543
D. 372,170	7/1996	Ahern, Jr.	D7/549
D. 376,295	12/1996	Ahern, Jr. et al.	D7/549
D. 379,684	6/1997	Dennis	D30/130
D. 384,862	10/1997	Hayes et al.	D7/584
D. 390,752	2/1998	DeCoster	D7/505
1,520,402	12/1924	Clemans	220/23.8
1,945,013	1/1934	Wilson	220/574
2,677,350	5/1954	Prestidge et al.	220/555 X
4,202,465	5/1980	McLaren	220/23.83 X
4,279,354	7/1981	Conti	220/23.83
4,907,539	3/1990	Abulhasan	
5,624,051	4/1997	Ahern, Jr. et al.	220/553

Primary Examiner—Cathron B. Matta

[57] CLAIM

The ornamental design for a cereal bowl, as shown and described,

DESCRIPTION

FIG. 1 is a perspective view of a cereal bowl showing my new design;

FIG. 2 is a side view, the opposite side view being identical;

FIG. 3 is a top plan view;

FIG. 4 is a bottom plan view;

FIG. 5 is an end view, the opposite end view being identical; and,

FIG. 6 is a perspective view of another, rectangular embodiment of the cereal bowl.

The undisclosed top, bottom and elevational views of the rectangular embodiment are identical to those of the oval embodiment with the exception of the differences created by the change from an oval shape to a rectangular shape.

[56] References Cited

U.S. PATENT DOCUMENTS

D. 164,077	7/1951	Wendell	.	
D. 184,213	1/1959	Despres	.	
D. 209,605	12/1967	Zoeller	.	
D. 210,739	4/1968	Hasselbach	.	
D. 212,495	10/1968	Stageberg	.	
D. 244,573	6/1977	Thrush	.	
D. 244,947	7/1977	Gerber	.	
D. 257,110	9/1980	Conti	.	
D. 269,933	8/1983	Daenen et al.	.	
D. 274,970	8/1984	Durand	.	
D. 305,191	12/1989	Wasserman	.	
D. 312,896	12/1990	Goetz	D30/130
D. 338,088	8/1993	Bailey	D30/131
D. 353,302	12/1994	Fish	D7/555 X
D. 367,172	2/1996	Brightbill et al.	D7/602 X

1 Claim, 2 Drawing Sheets

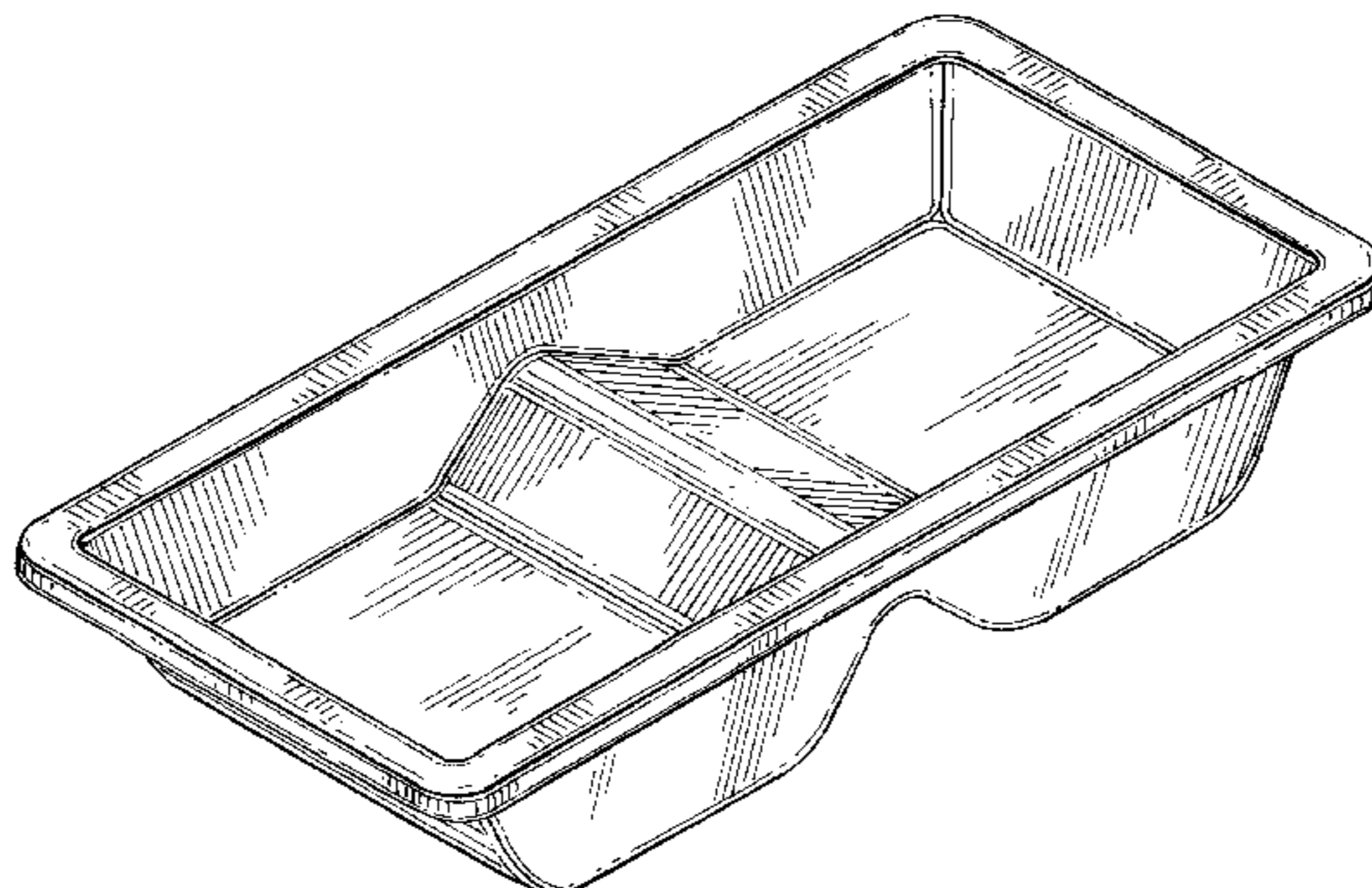
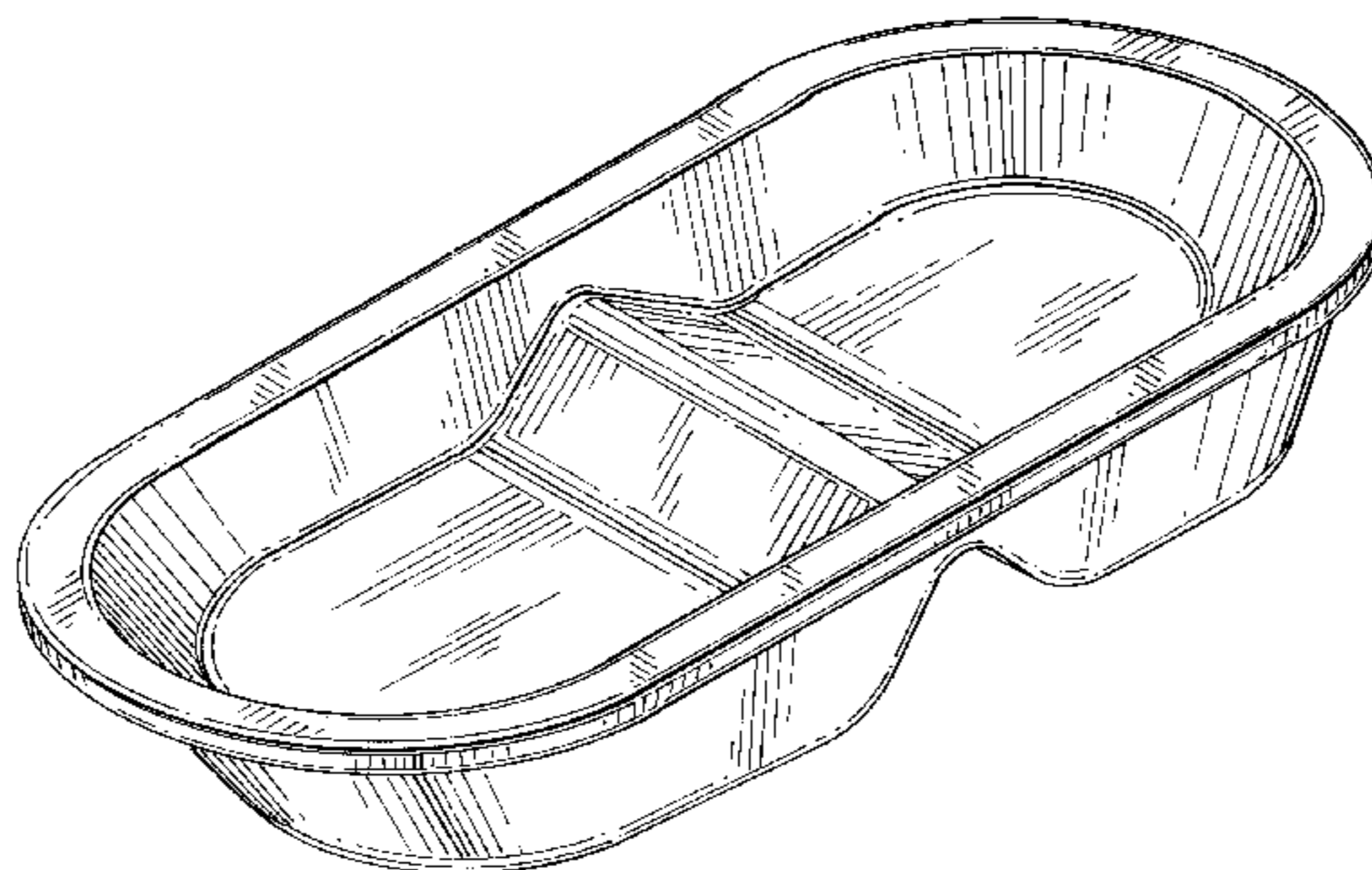


FIG. 1

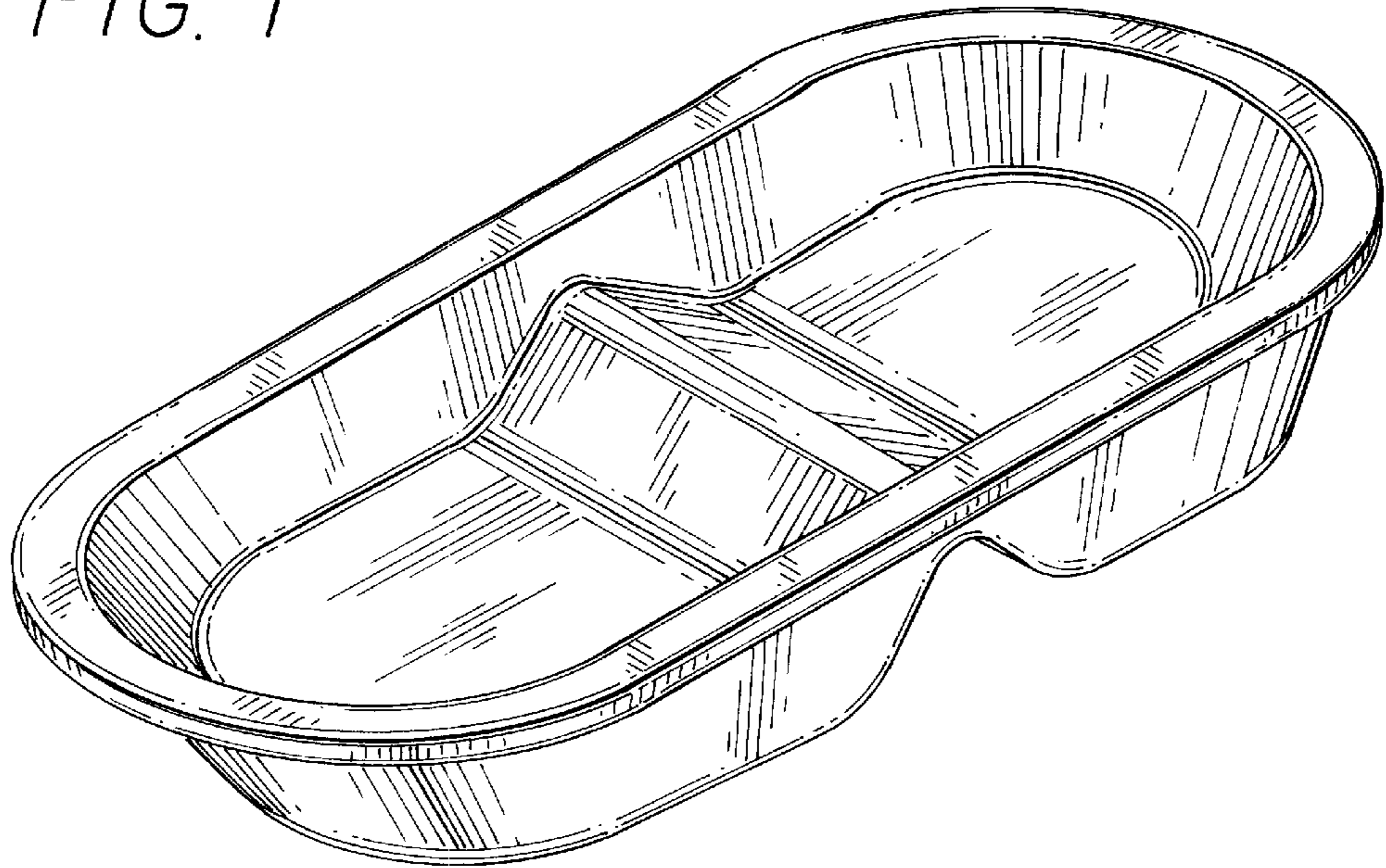


FIG. 2

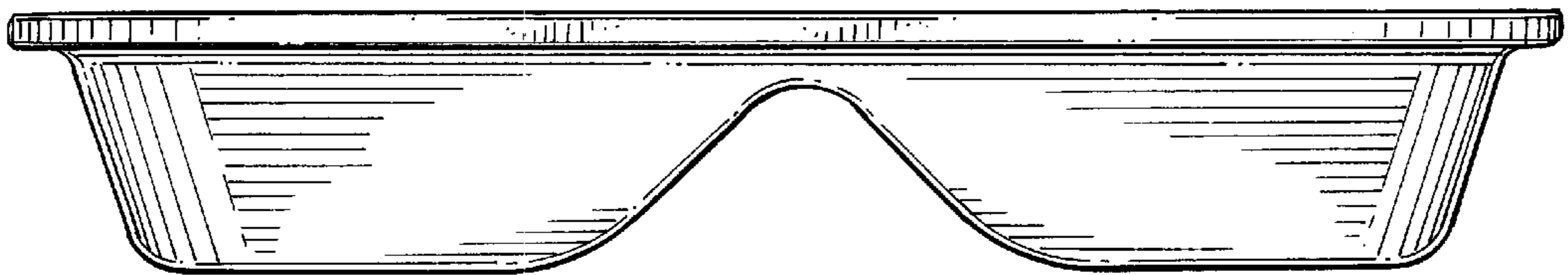
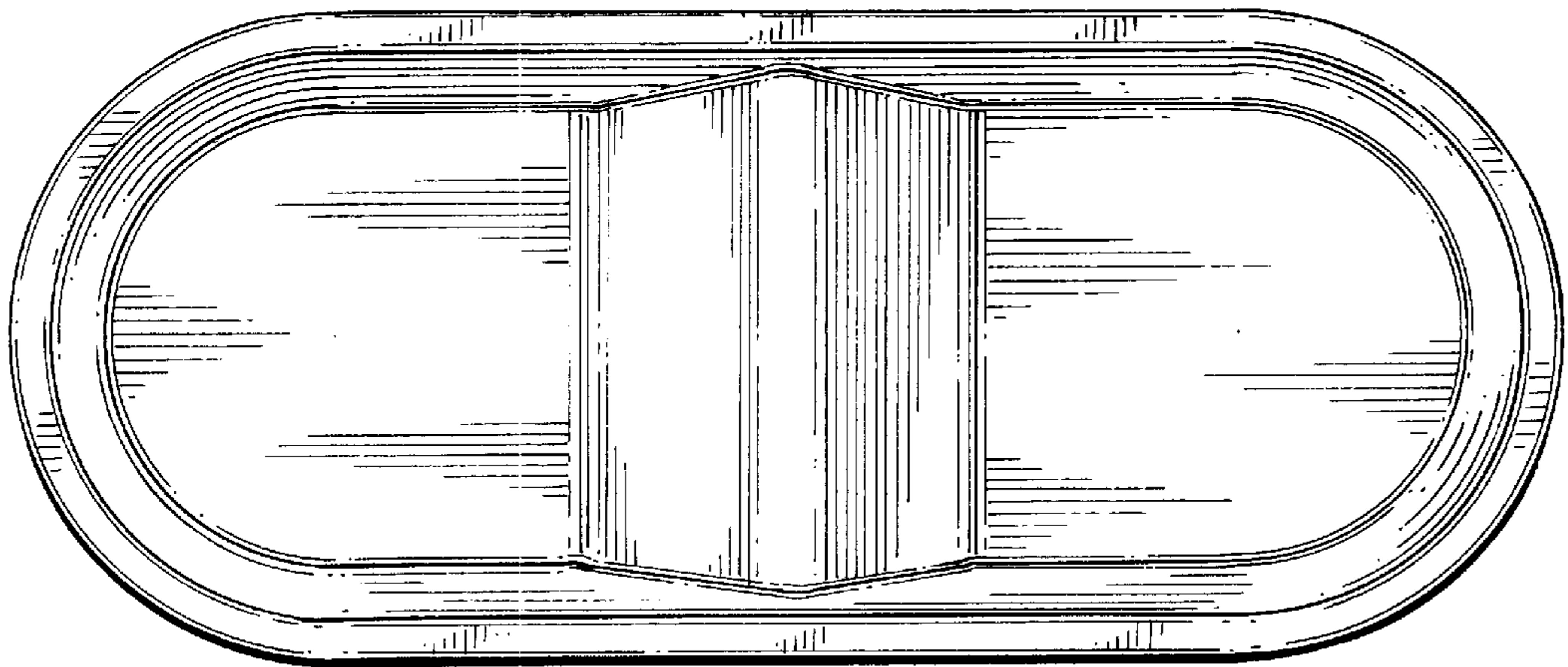


FIG. 3



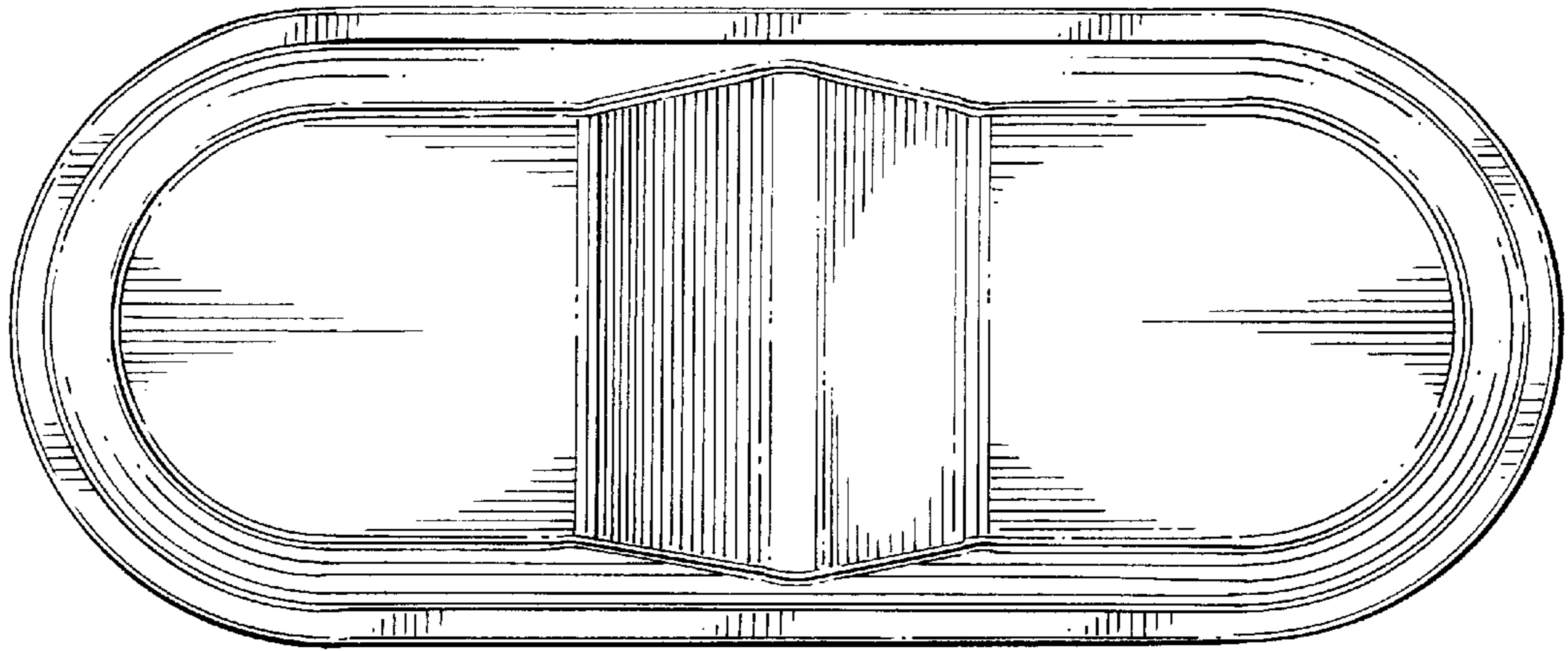


FIG. 4

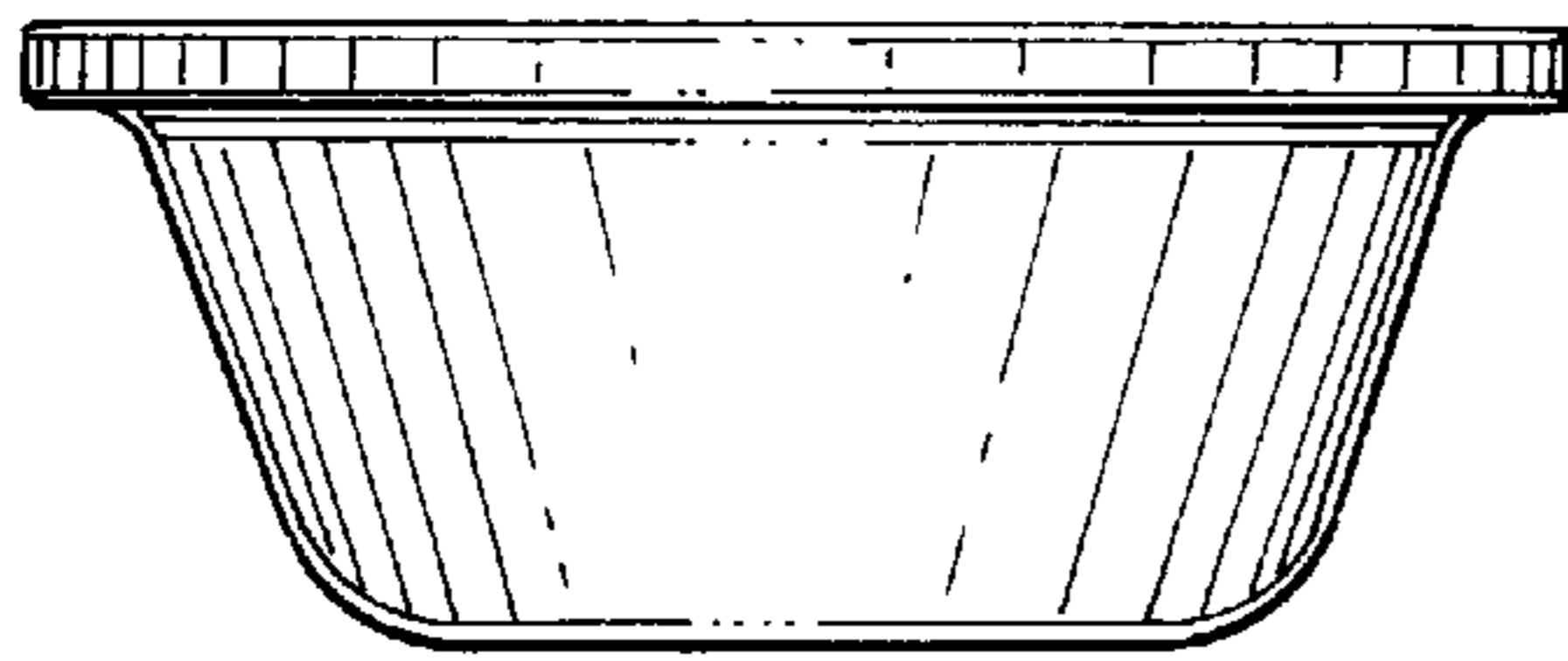


FIG. 5

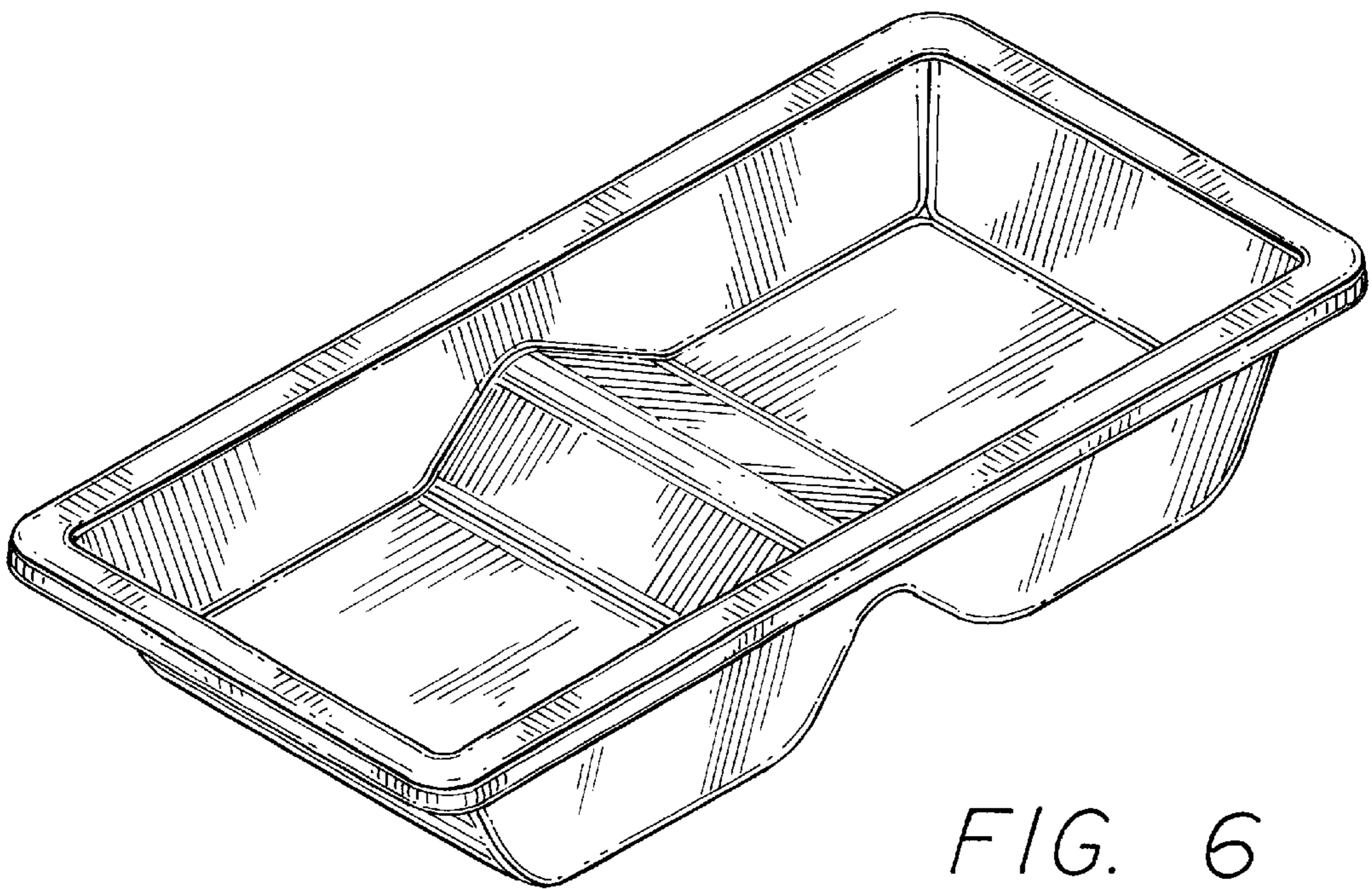


FIG. 6