



US00D417364S

**United States Patent** [19]  
**Lin**

[11] **Patent Number: Des. 417,364**

[45] **Date of Patent: \*\* Dec. 7, 1999**

[54] **MEAT RACK FOR ROASTERS**

*Primary Examiner*—Caron D. Veynar

[76] Inventor: **Charlotte Lin**, P.O. Box 55-175,  
Taichung, Taiwan

[57] **CLAIM**

[\*\*] Term: **14 Years**

The ornamental design for a meat rack for roasters, as shown and described.

[21] Appl. No.: **29/092,312**

**DESCRIPTION**

[22] Filed: **Aug. 17, 1998**

FIG. 1 is a perspective view of a meat rack for roasters showing my new design;

[51] **LOC (6) Cl.** ..... **07-02**

FIG. 2 is a front side view thereof;

[52] **U.S. Cl.** ..... **D7/409**

FIG. 3 is a left side view thereof;

[58] **Field of Search** ..... D7/323, 555, 409,  
D7/388; 99/324, 400, 408, 422, 425; 126/1 R,  
25 R, 29, 9 A

FIG. 4 is a top view thereof;

FIG. 5 is a right side view thereof;

FIG. 6 is a bottom view thereof;

FIG. 7 is a rear side view thereof; and,

[56] **References Cited**

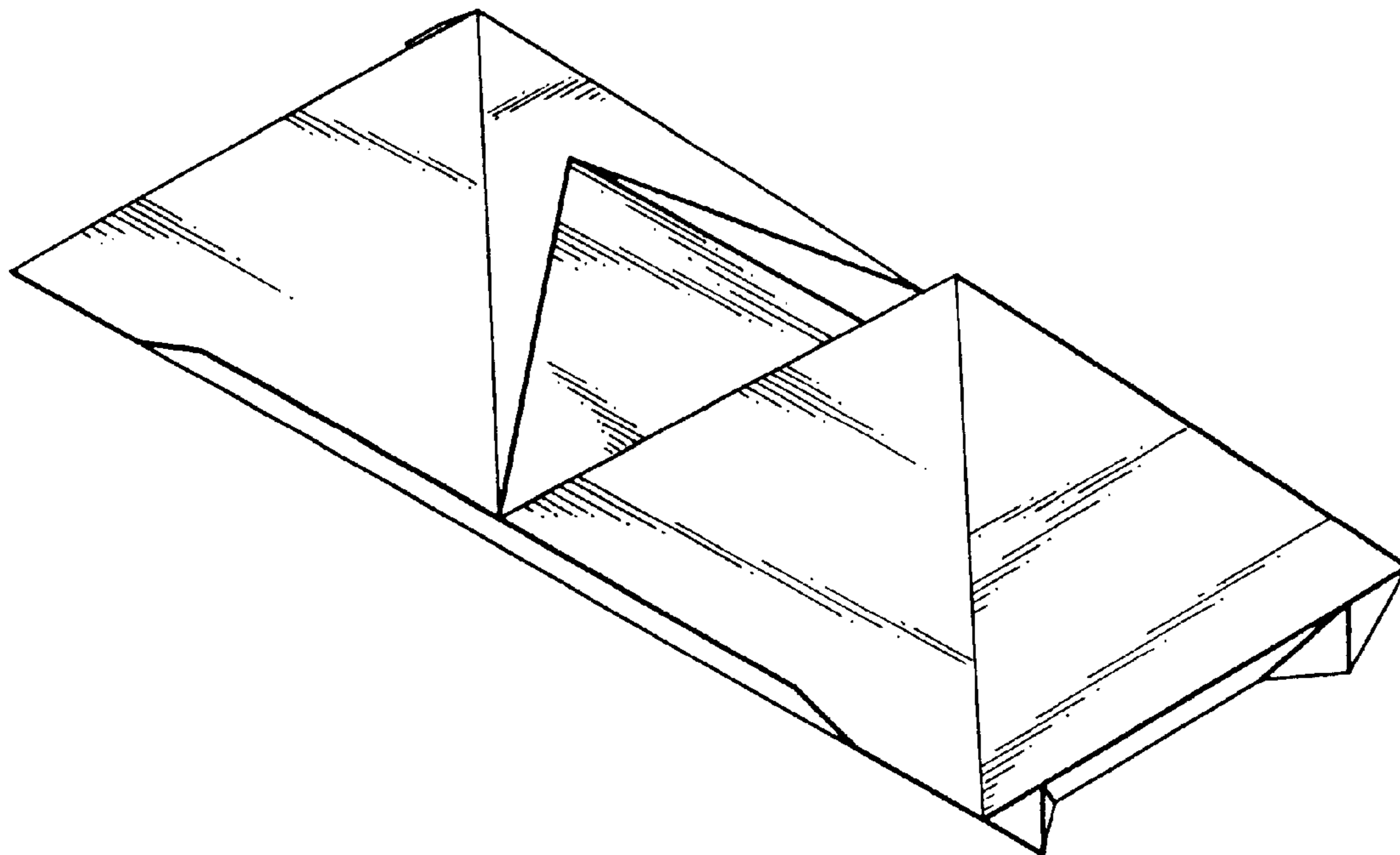
FIG. 8 is a perspective view indicating the combination of the meat rack of the present invention.

**U.S. PATENT DOCUMENTS**

The broken line showings in FIG. 8 are for illustrative purposes only and form no part of the claimed design.

D. 257,110	9/1980	Conti	.....	D7/555
D. 404,968	2/1999	Lin	.....	D7/409
4,535,748	8/1985	Hunerwadel	.....	126/25 R
5,121,738	6/1992	Harris	.....	126/25 R X

**1 Claim, 5 Drawing Sheets**



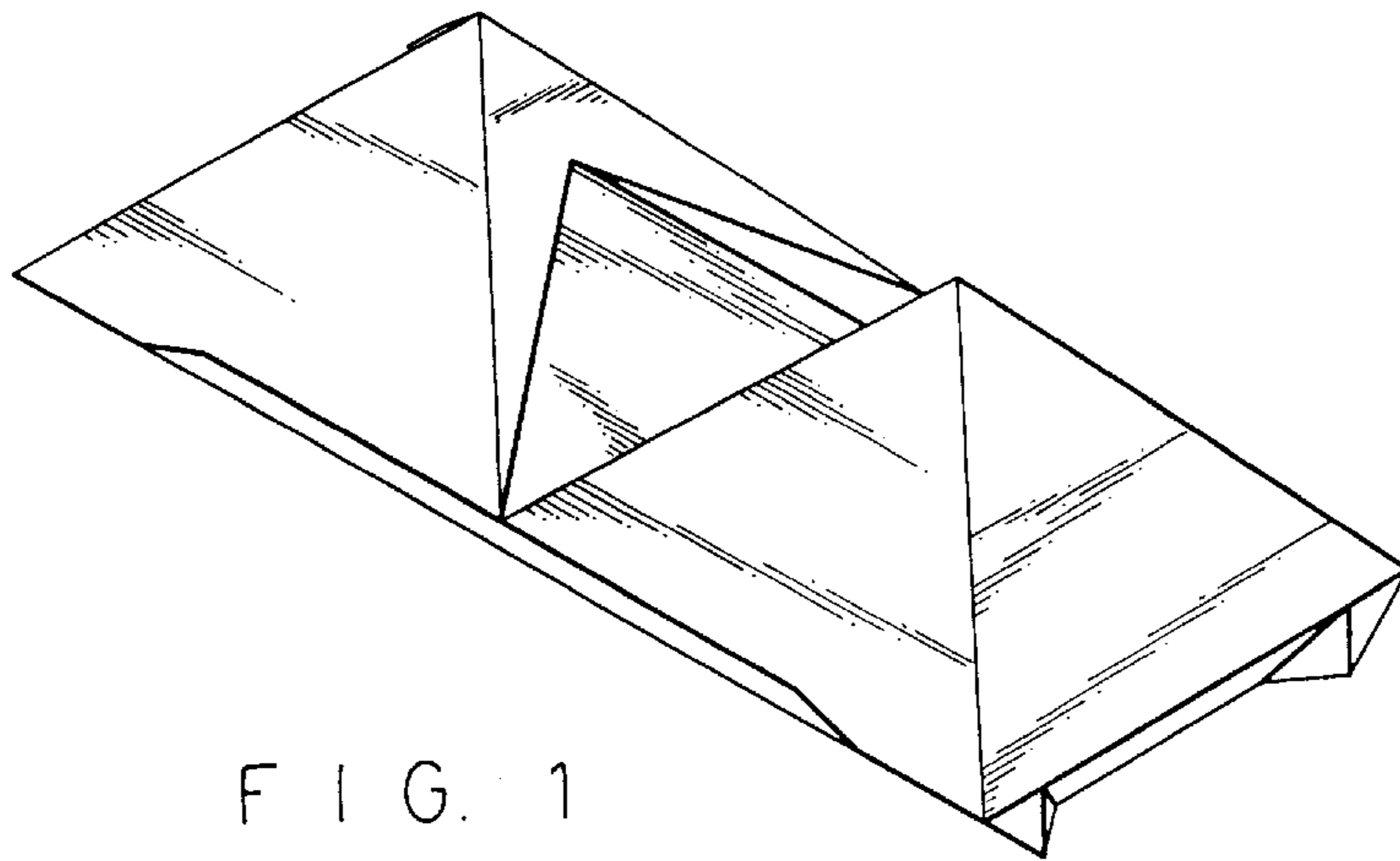


FIG. 1

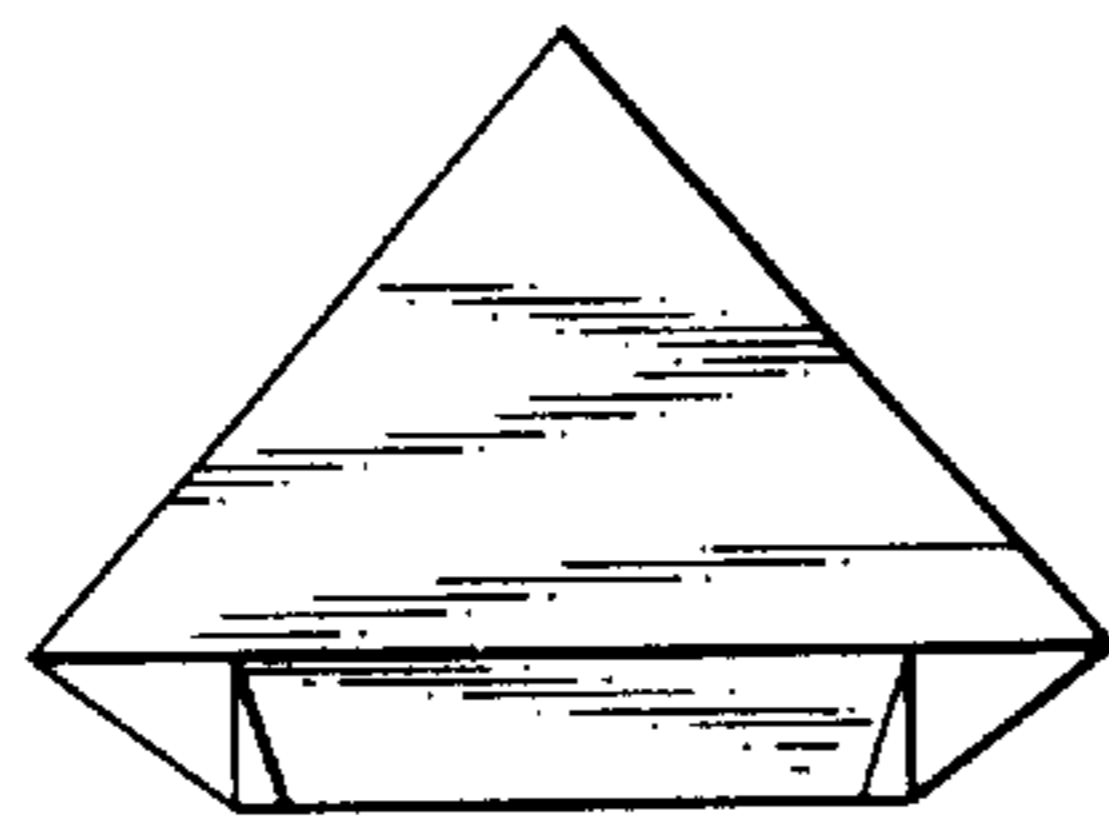


FIG. 5

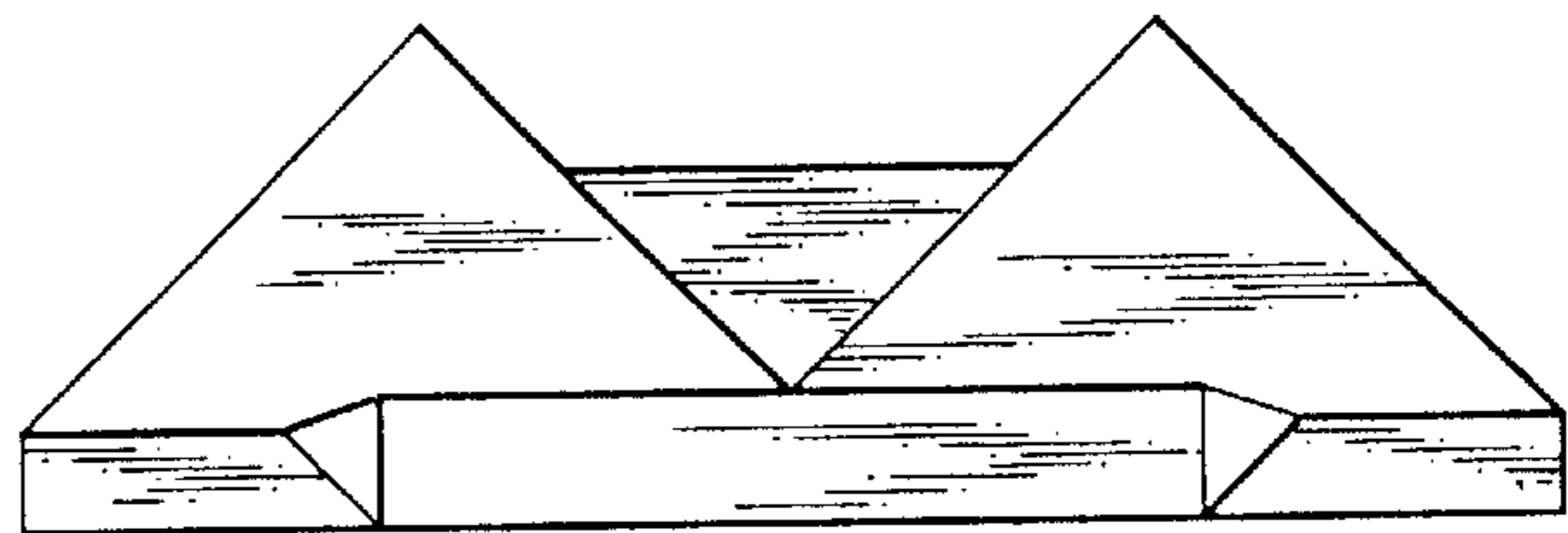


FIG. 7

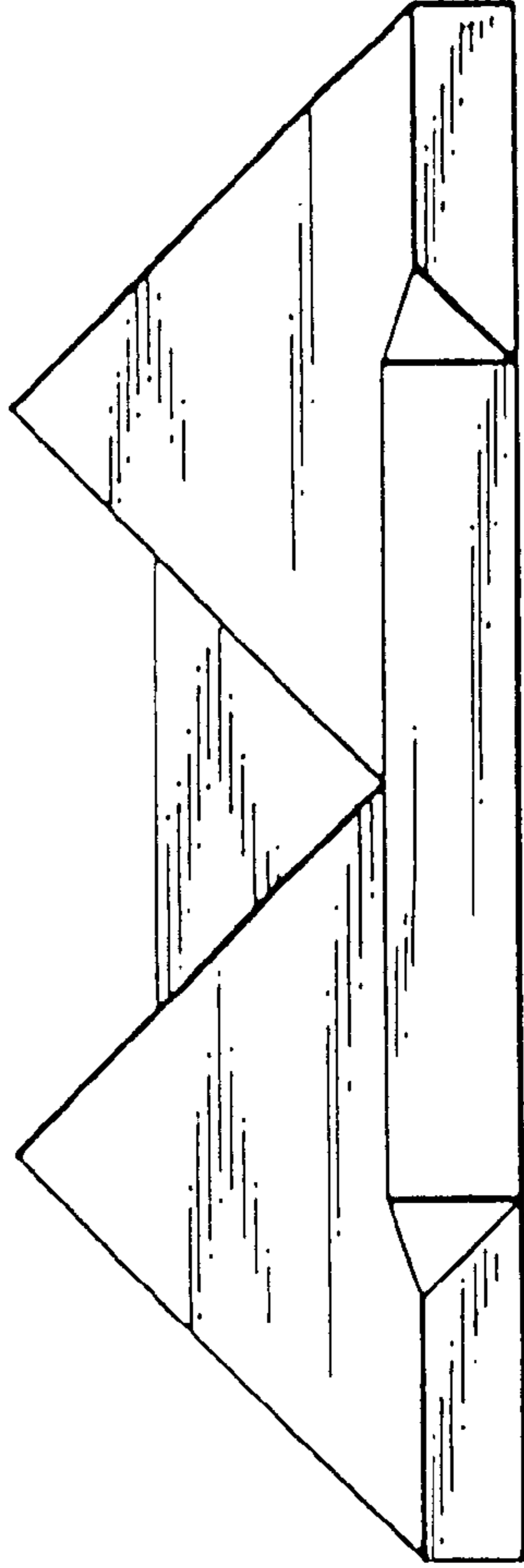


FIG. 2

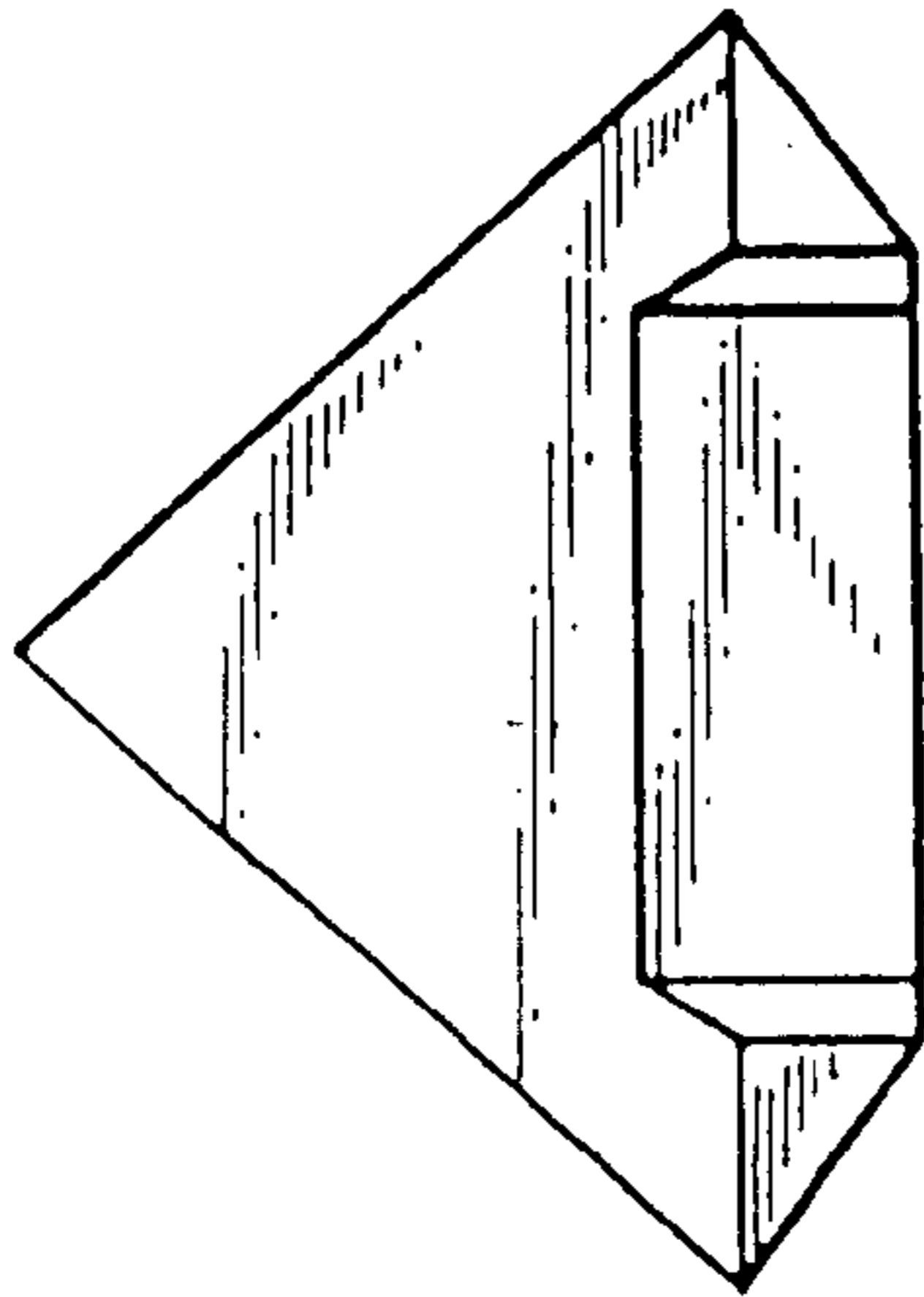


FIG. 3

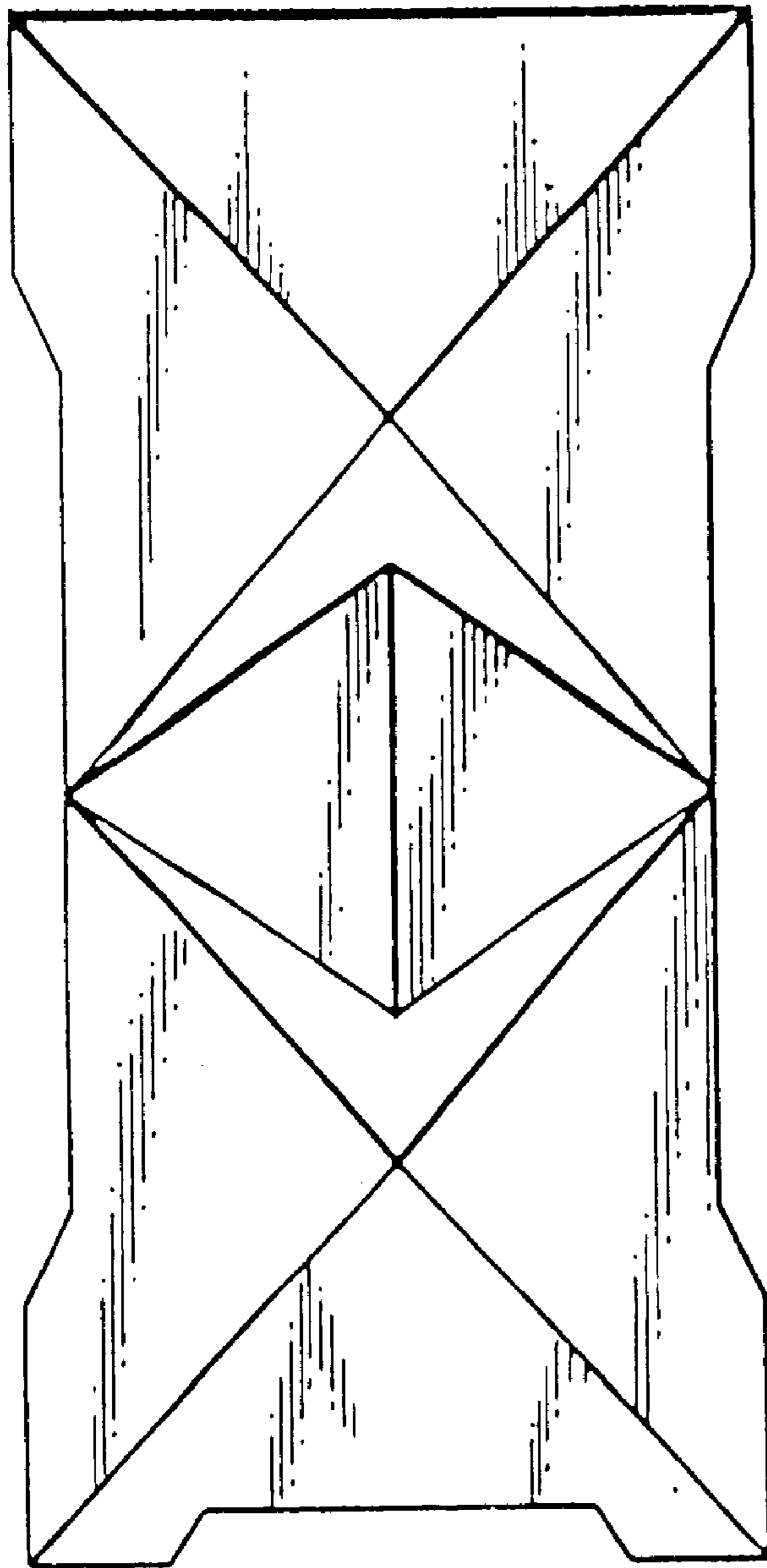
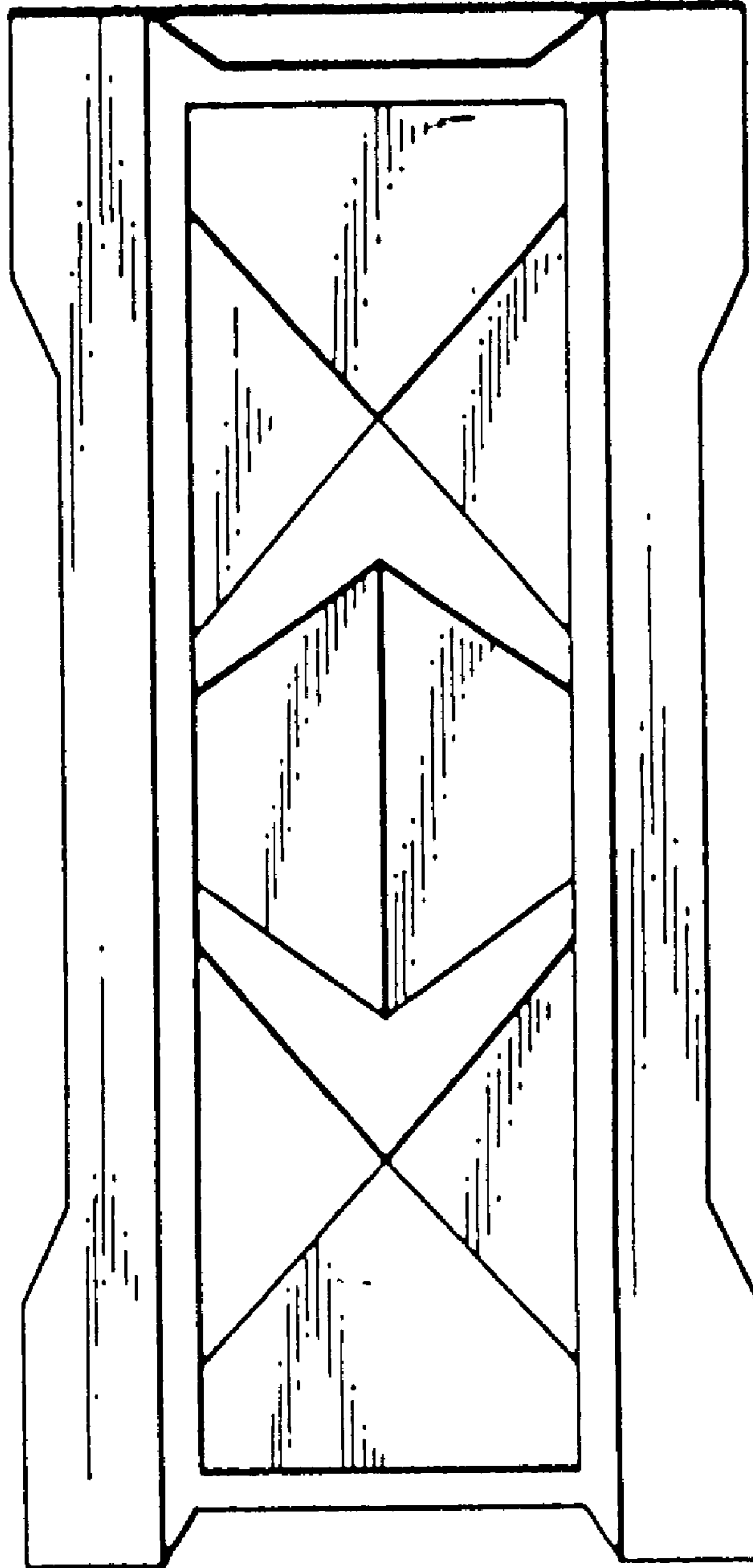


FIG. 4



F I G. 6

F I G. 8

