



US00D417363S

United States Patent [19]

Deo et al.

[11] Patent Number: Des. 417,363

[45] Date of Patent: ** Dec. 7, 1999

[54] MODULAR RADIANT HEATING UNIT

[75] Inventors: Subhash R. Deo, Fayette, Ala.; Simon P. Griffiths, Columbus, Miss.

[73] Assignee: Emerson Electric Co., St. Louis, Mo.

[**] Term: 14 Years

[21] Appl. No.: 29/087,627

[22] Filed: May 6, 1998

[51] LOC (6) Cl. 07-02

[52] U.S. Cl. D7/407

[58] Field of Search D7/402, 407, 362, D7/346; D23/415, 417, 419, 314; 219/466, 447, 449, 464, 460-461, 457; 99/422; D6/39 H, 39 J, 214 A, 538, 39 E

[56] References Cited

U.S. PATENT DOCUMENTS

D. 210,336	2/1968	Jenn et al.	D7/346
D. 264,673	6/1982	Schreder	D7/346
D. 267,770	2/1983	Fischer	D7/346
D. 285,280	8/1986	Fischer et al.	D7/346
D. 326,906	6/1992	McWilliams et al.	D23/419
D. 326,982	6/1992	Schreder	D7/407
D. 329,091	9/1992	McWilliams	D23/419

D. 369,516 5/1996 Higgins D7/407
5,000,157 3/1991 Harper .

Primary Examiner—Ruth McInroy
Attorney, Agent, or Firm—Polster, Lieder, Woodruff & Lucchesi

[57] CLAIM

The ornamental design for modular radiant heating unit, as shown and described.

DESCRIPTION

FIG. 1 is a top plan view of a modular radiant heating unit showing our new design, the details shown in broken lines are for illustrative purposes only and form no part of the claimed design;

FIG. 2 is a side elevational view thereof;

FIG. 3 is another side elevational view thereof;

FIG. 4 is a top plan view thereof;

FIG. 5 is a bottom plan view thereof;

FIG. 6 is a top perspective view thereof;

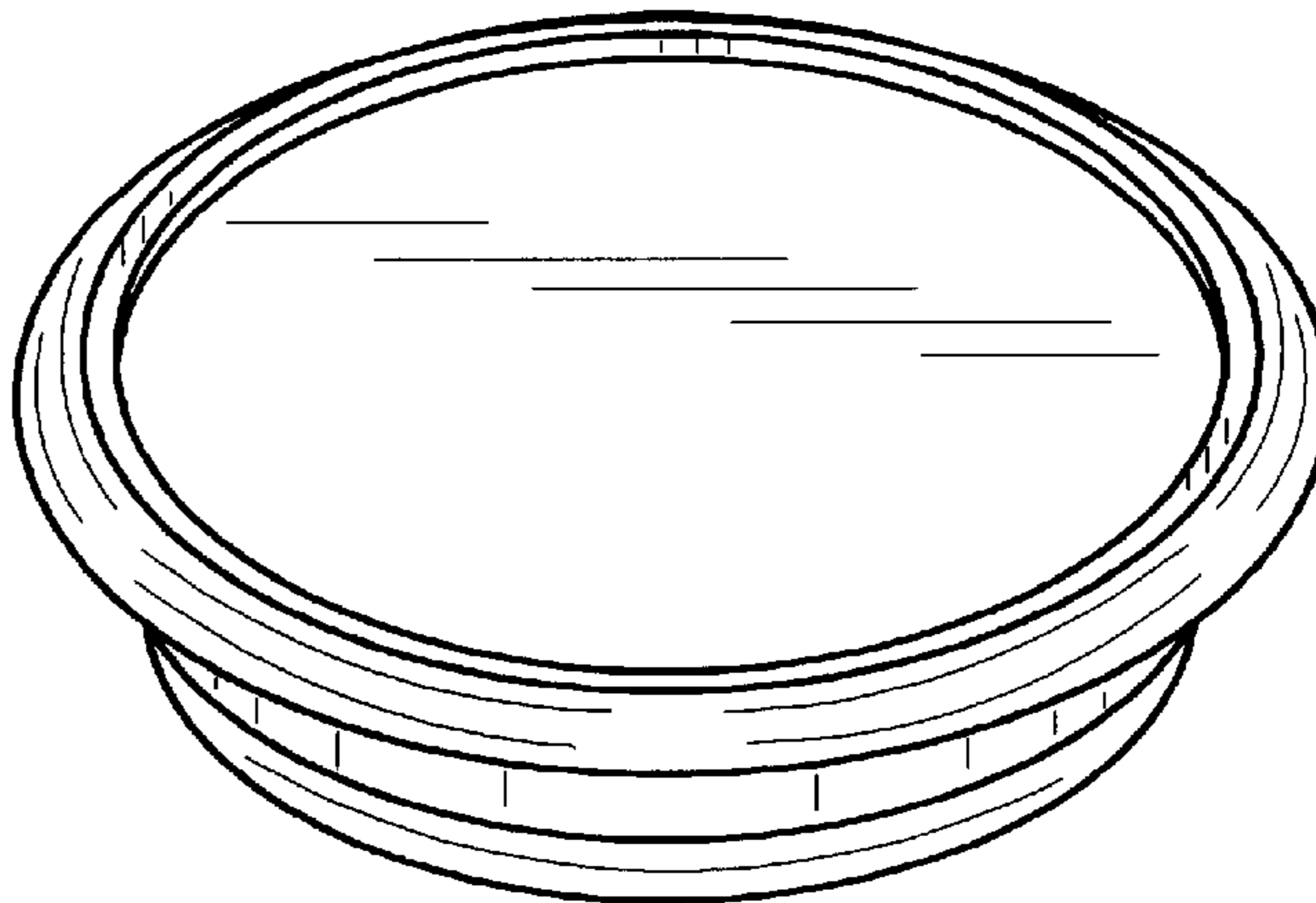
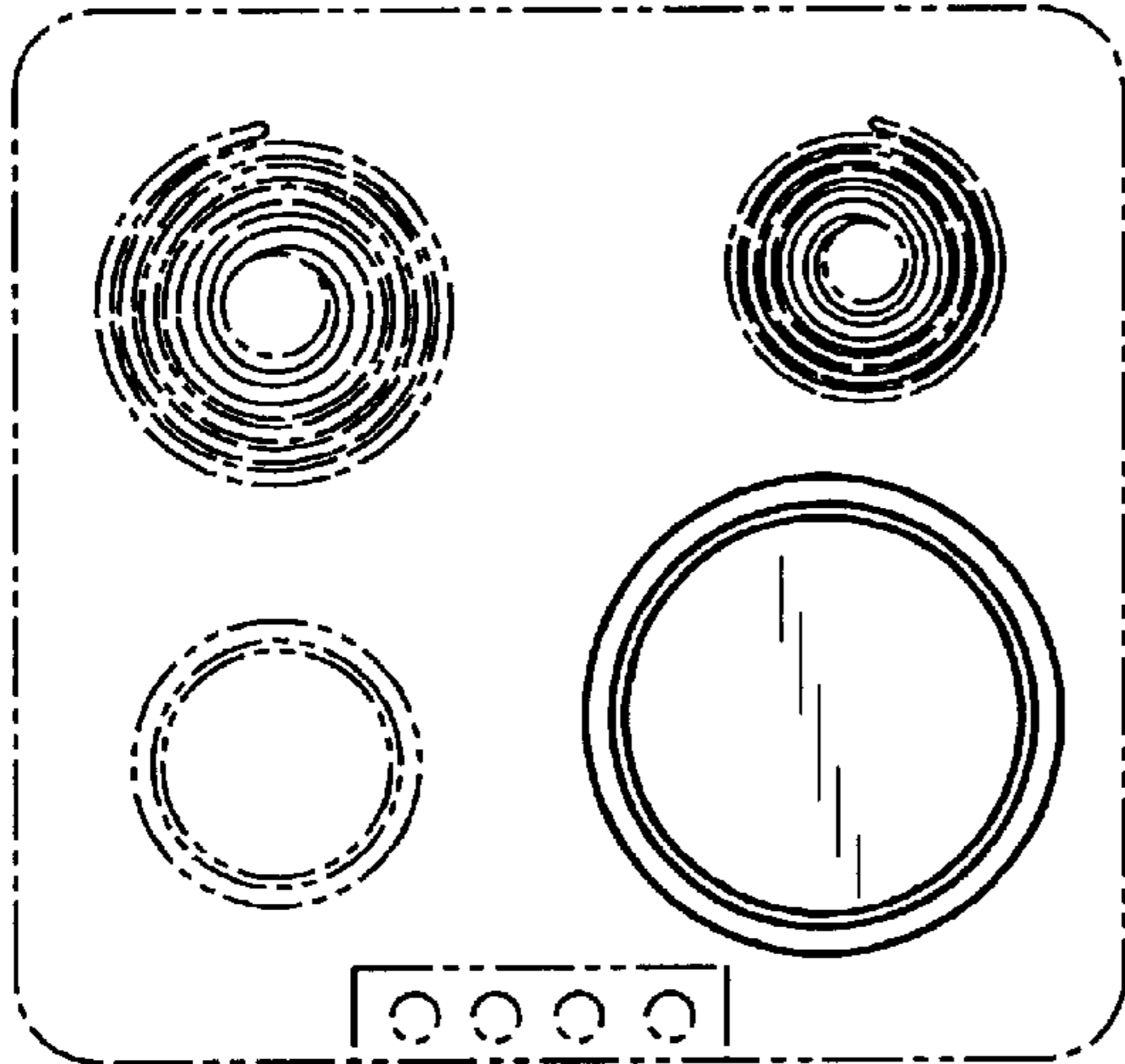
FIG. 7 is a side elevational view of a second embodiment thereof;

FIG. 8 is another side elevational view of FIG. 7; and,

FIG. 9 is a bottom plan view of FIG. 7.

The top plan view of the second embodiment is shown in FIG. 4.

1 Claim, 3 Drawing Sheets



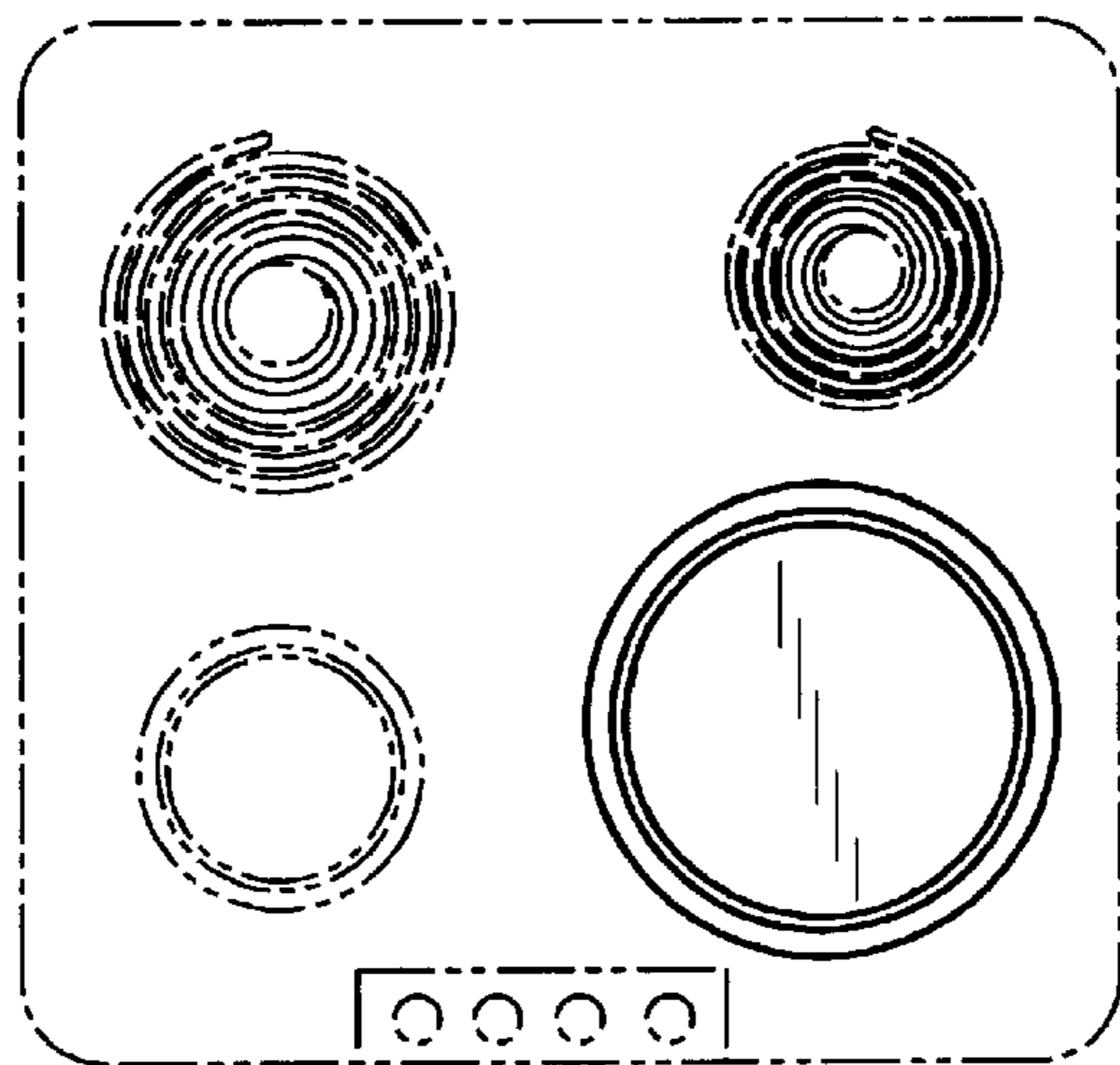


FIG. 1

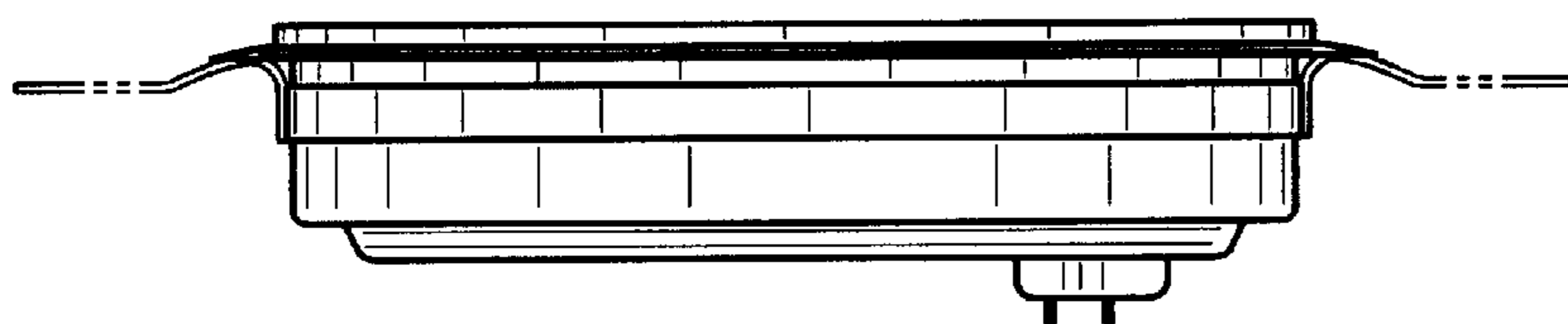


FIG. 2

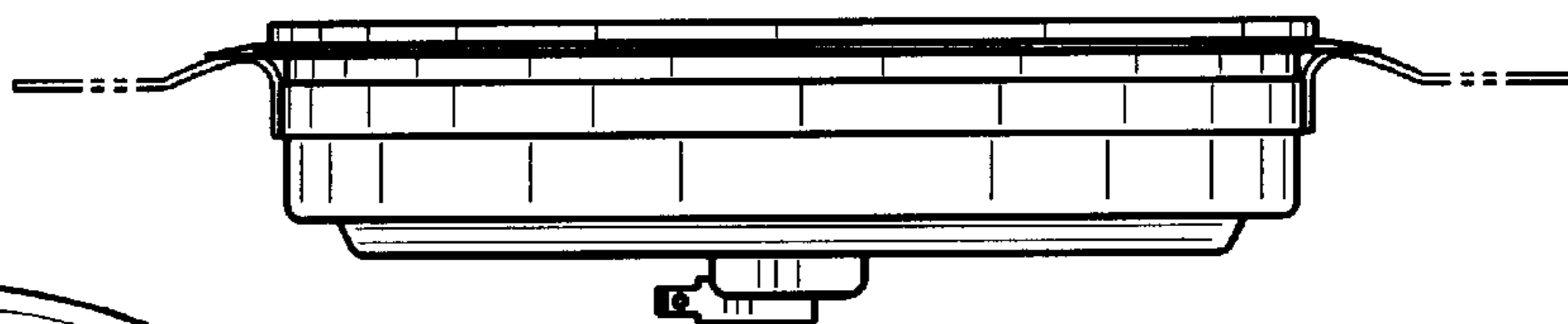


FIG. 3

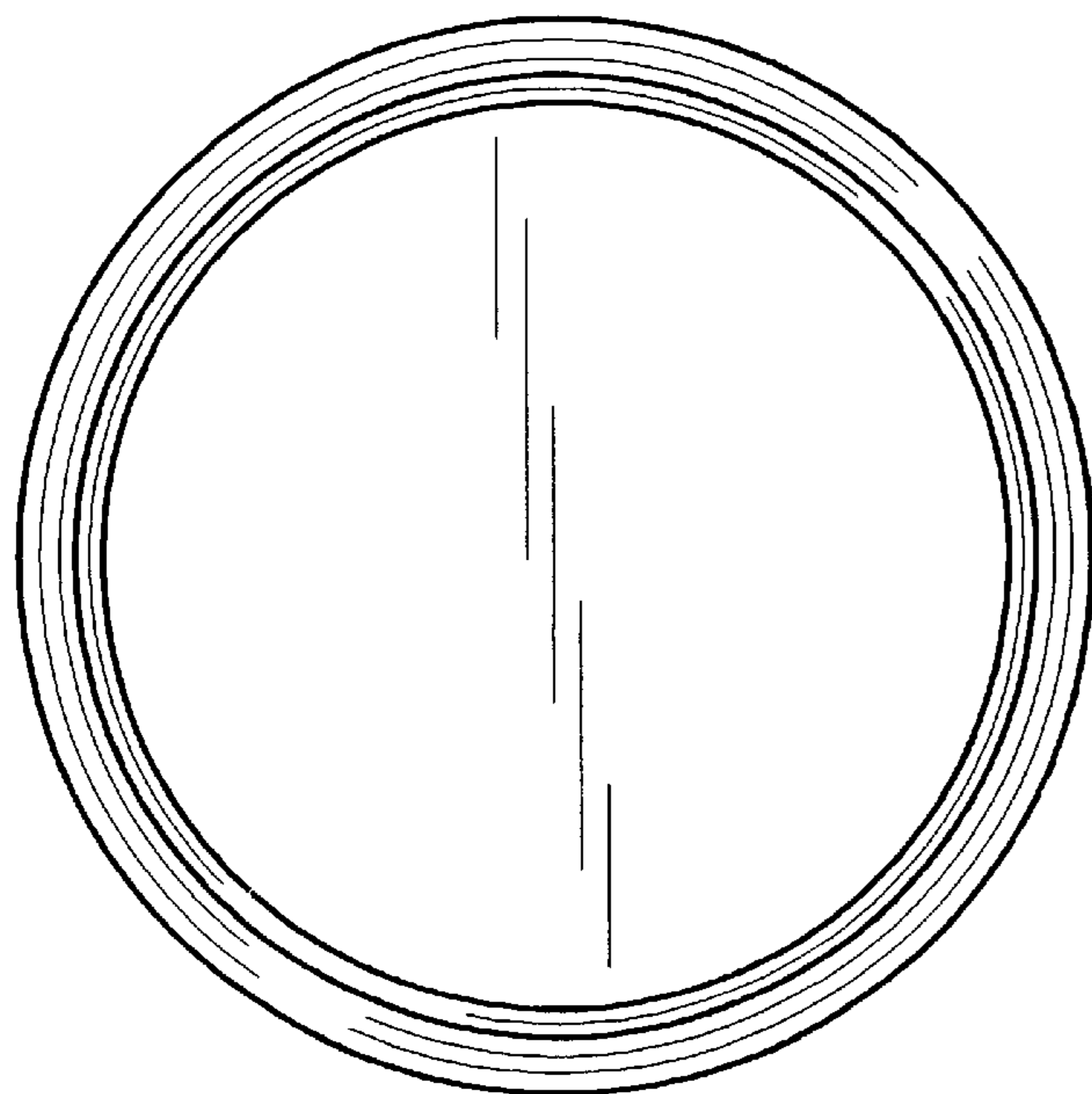


FIG. 4

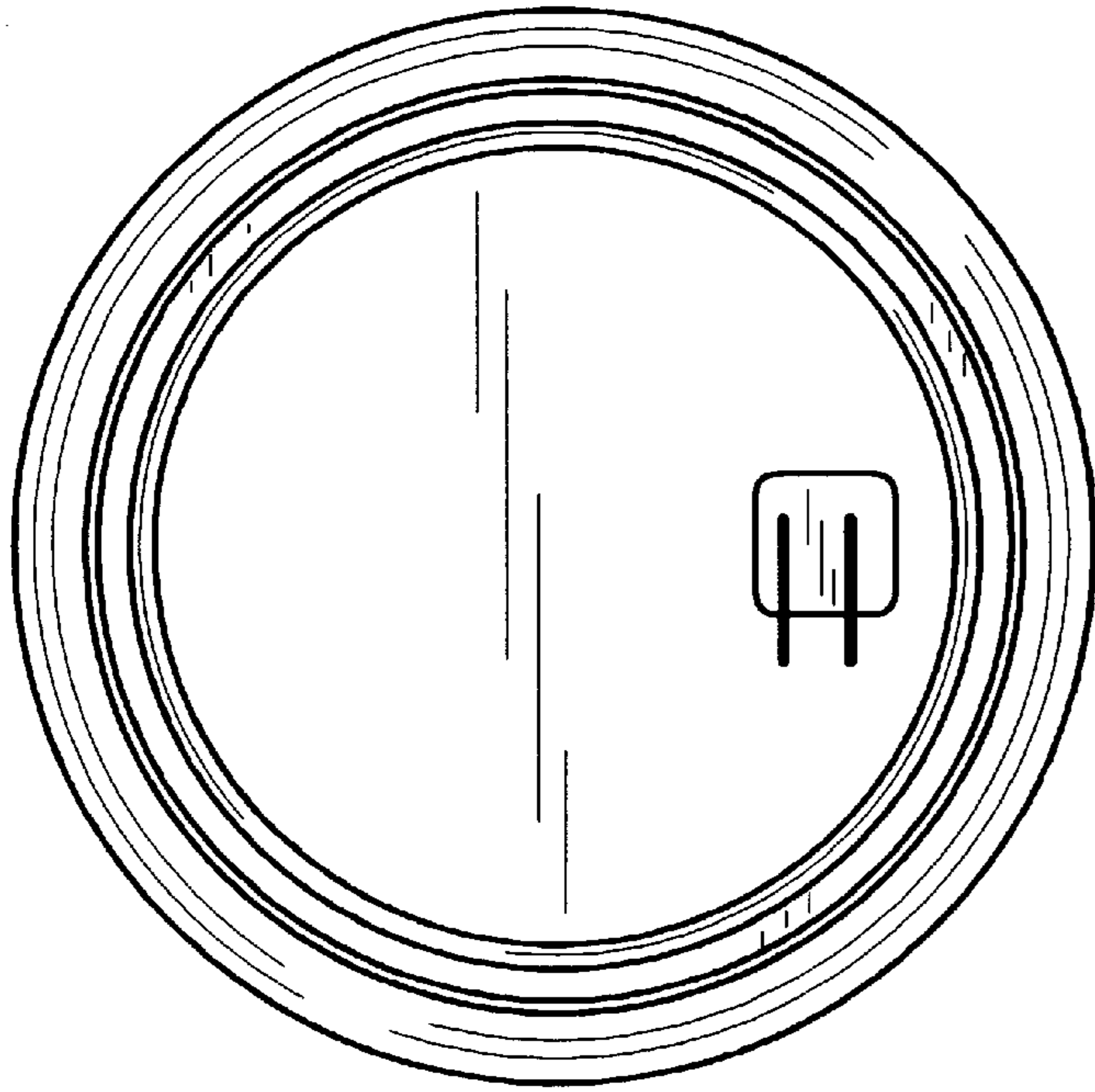


FIG. 5

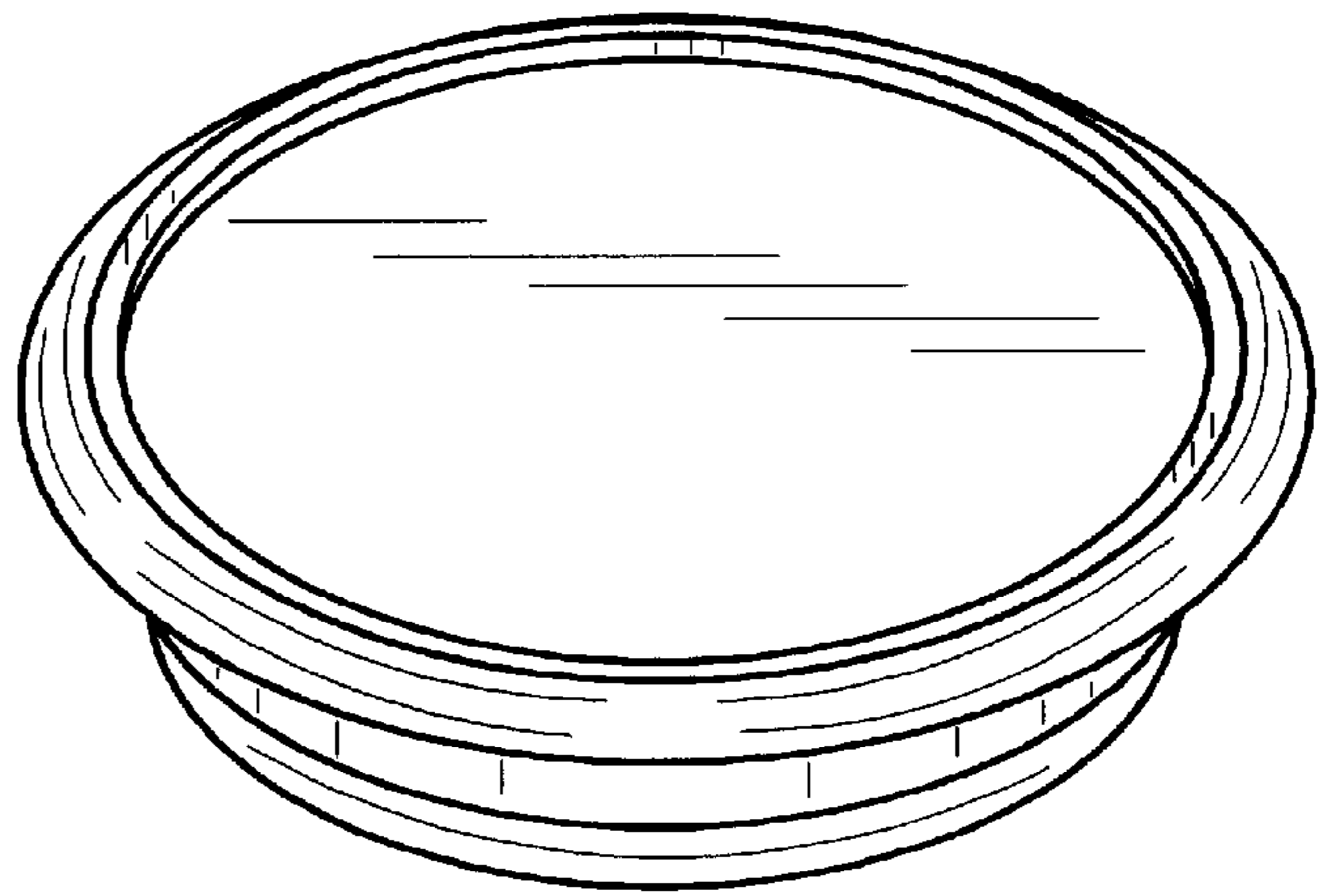


FIG. 6

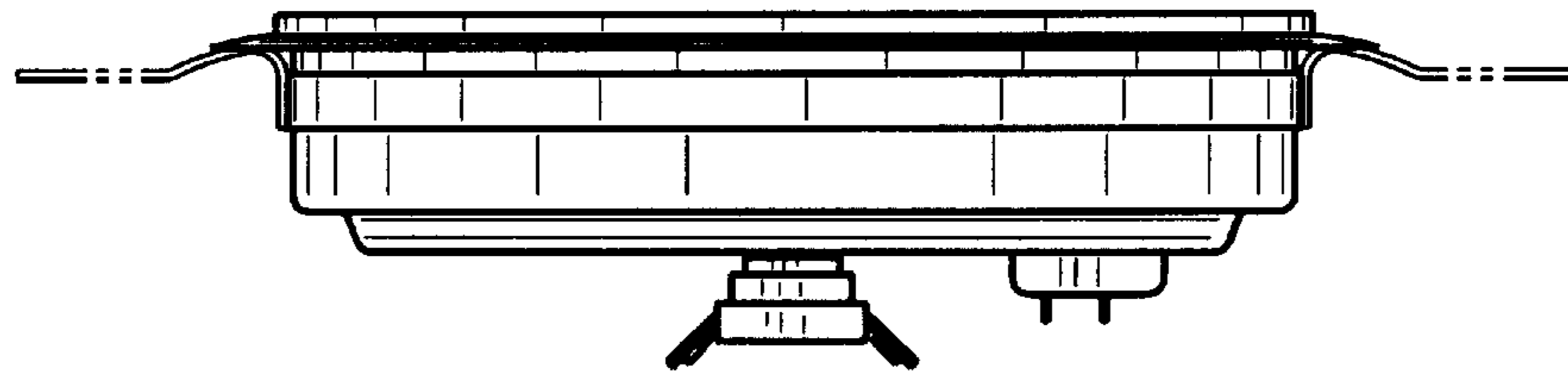


FIG. 7

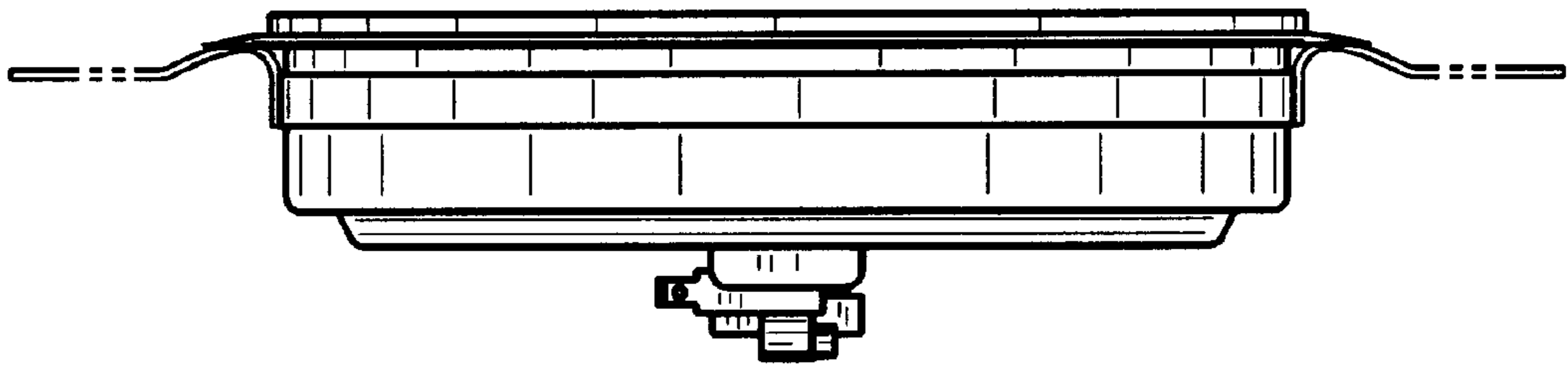


FIG. 8

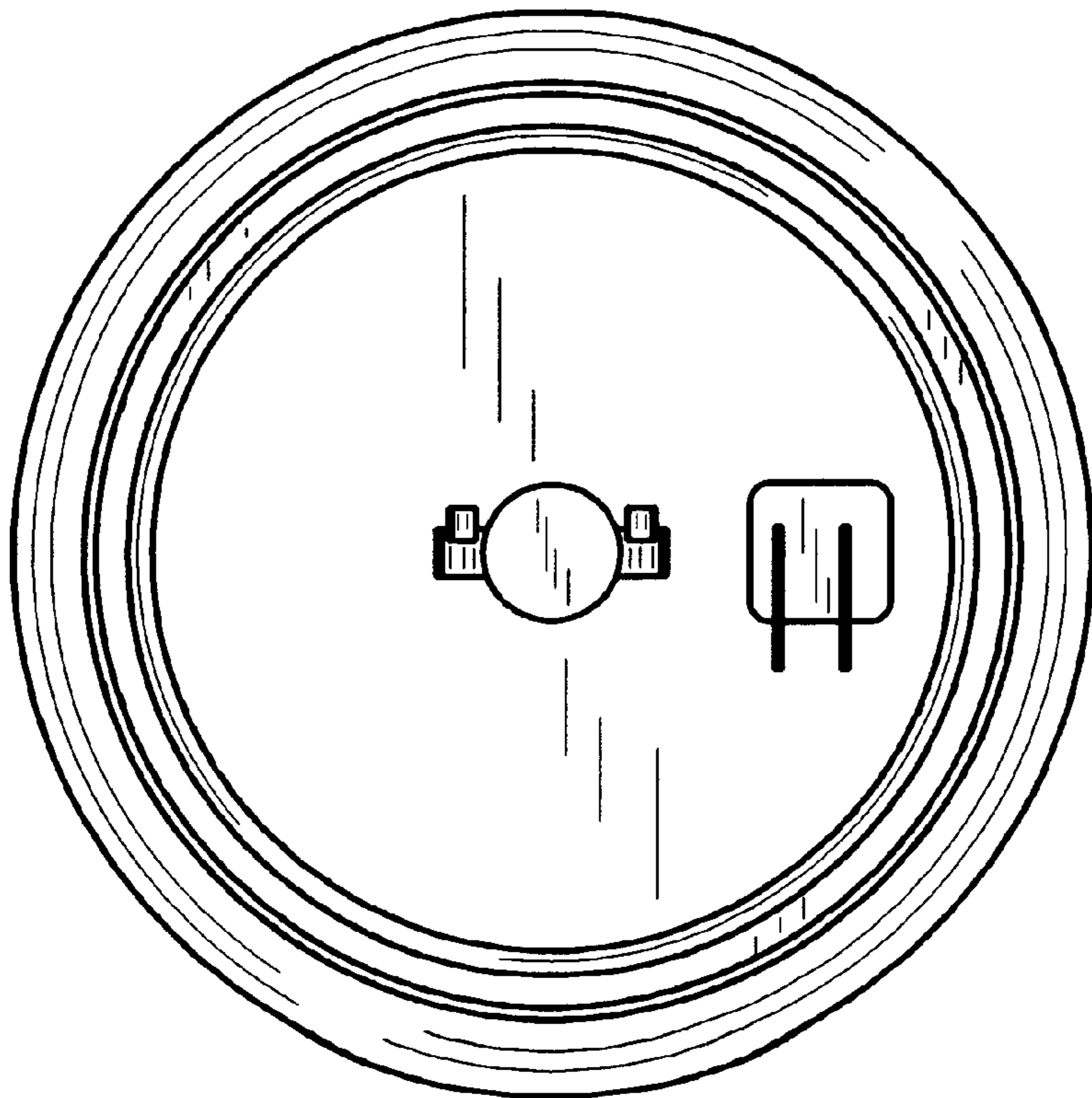


FIG. 9