



US00D417362S

United States Patent [19] Ting

[11] Patent Number: Des. 417,362

[45] Date of Patent: ** Dec. 7, 1999

[54] BARBEQUE GRILL

[75] Inventor: Lap-Yan Ting, Taipei, Taiwan

[73] Assignee: Atico International USA, Inc.

[**] Term: 14 Years

[21] Appl. No.: 29/062,580

[22] Filed: Nov. 19, 1996

[51] LOC (6) Cl. 07-02

[52] U.S. Cl. D7/402; D7/332

[58] Field of Search D7/332-337; 126/25 R,
126/25 A, 25 AA, 29-30, 9 R

[56] References Cited

U.S. PATENT DOCUMENTS

D. 171,639	3/1954	Clemens, Jr.	D33/14
D. 222,311	10/1971	Wilkinson et al.	D7/332
D. 223,042	2/1972	Wilkinson et al. .	
D. 284,929	8/1986	Schlosser et al.	D7/332
D. 295,135	4/1988	Ogden	D7/334
D. 315,079	3/1991	Jui-Yen	D7/334
D. 376,510	12/1996	Ting	D7/332
2,641,243	6/1953	Goss	126/25
4,453,530	6/1984	Schlosser	126/25 R
4,463,746	8/1984	Knuth et al.	126/25 R
4,498,452	2/1985	Schlosser et al.	126/9
4,523,574	6/1985	Schlosser	126/25
4,535,749	8/1985	Schlosser et al.	126/25
4,630,593	12/1986	Gremillion	126/25 R
4,741,322	5/1988	Lin	126/25 R
4,777,927	10/1988	Stephen et al.	126/25

4,836,179	6/1989	Schlosser et al.	126/25
5,036,832	8/1991	Schlosser et al.	126/243
5,070,777	12/1991	Novak	99/482
5,111,802	5/1992	Lin	126/25 R
5,159,917	11/1992	Archer et al.	126/25 R
5,226,405	7/1993	Snow	126/25 B
5,299,553	4/1994	Giebel et al.	126/25 R

OTHER PUBLICATIONS

1,478,530 Registered Trademark, Mar. 1, 1988, Weber Stephens Products Co.

1,481,521 Registered Trademark, Mar. 22, 1988, Weber Stephens Products Co.

Primary Examiner—Ruth McInroy

Attorney, Agent, or Firm—Cobrin Gittes & Samuel

[57] CLAIM

The ornamental design for a barbeque grill, as shown.

DESCRIPTION

FIG. 1 is a top, front perspective view of a barbeque grill showing my new design;

FIG. 2 is a top plan view thereof;

FIG. 3 is a front view thereof;

FIG. 4 is a left side view thereof, which is identical to the right side thereof;

FIG. 5 is a rear view thereof; and,

FIG. 6 is a bottom plan view thereof.

The portion shown in broken lines in FIG. 1 is shown for illustrative purposes only and forms no part of the claimed design.

1 Claim, 3 Drawing Sheets

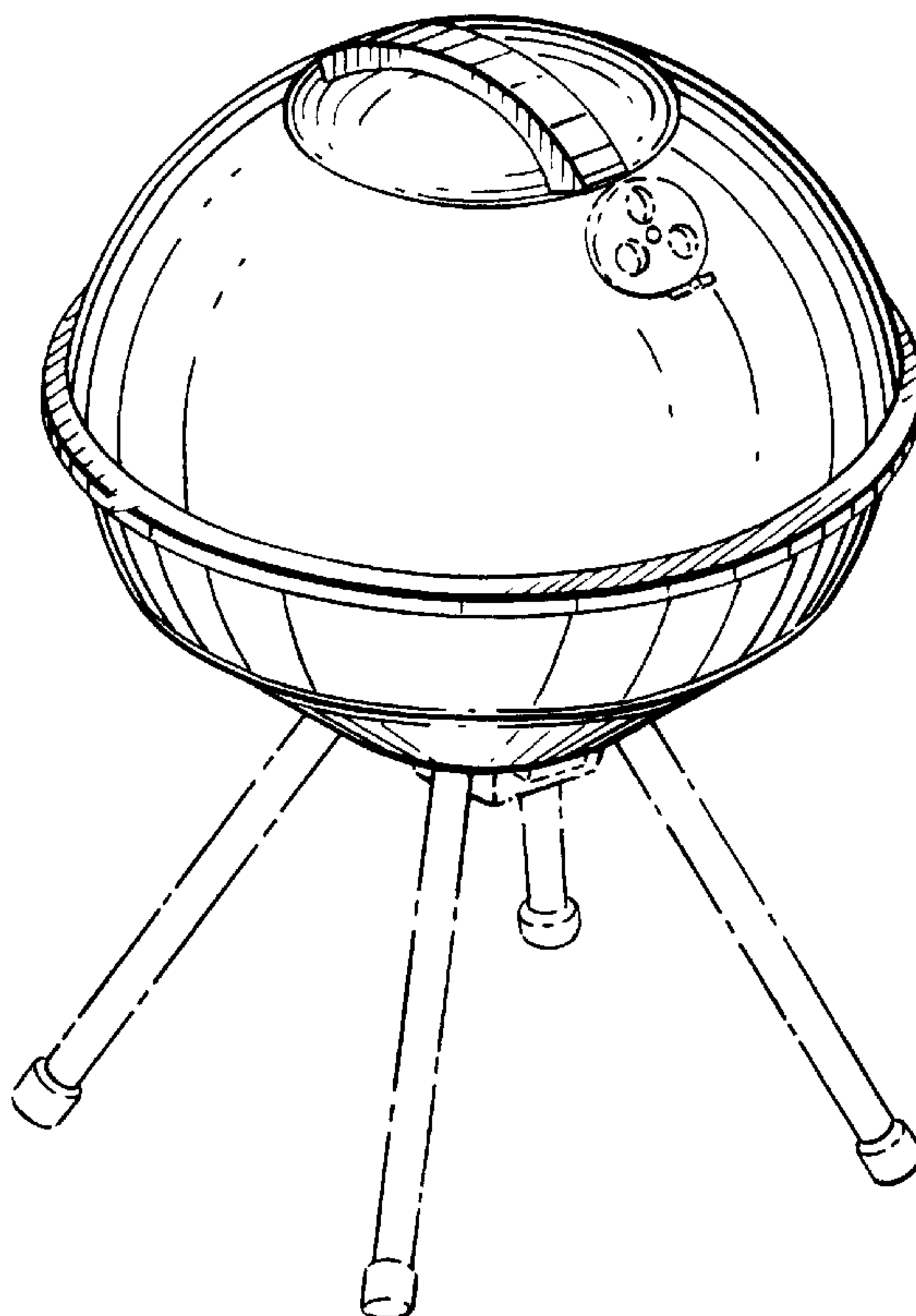


FIG. 1

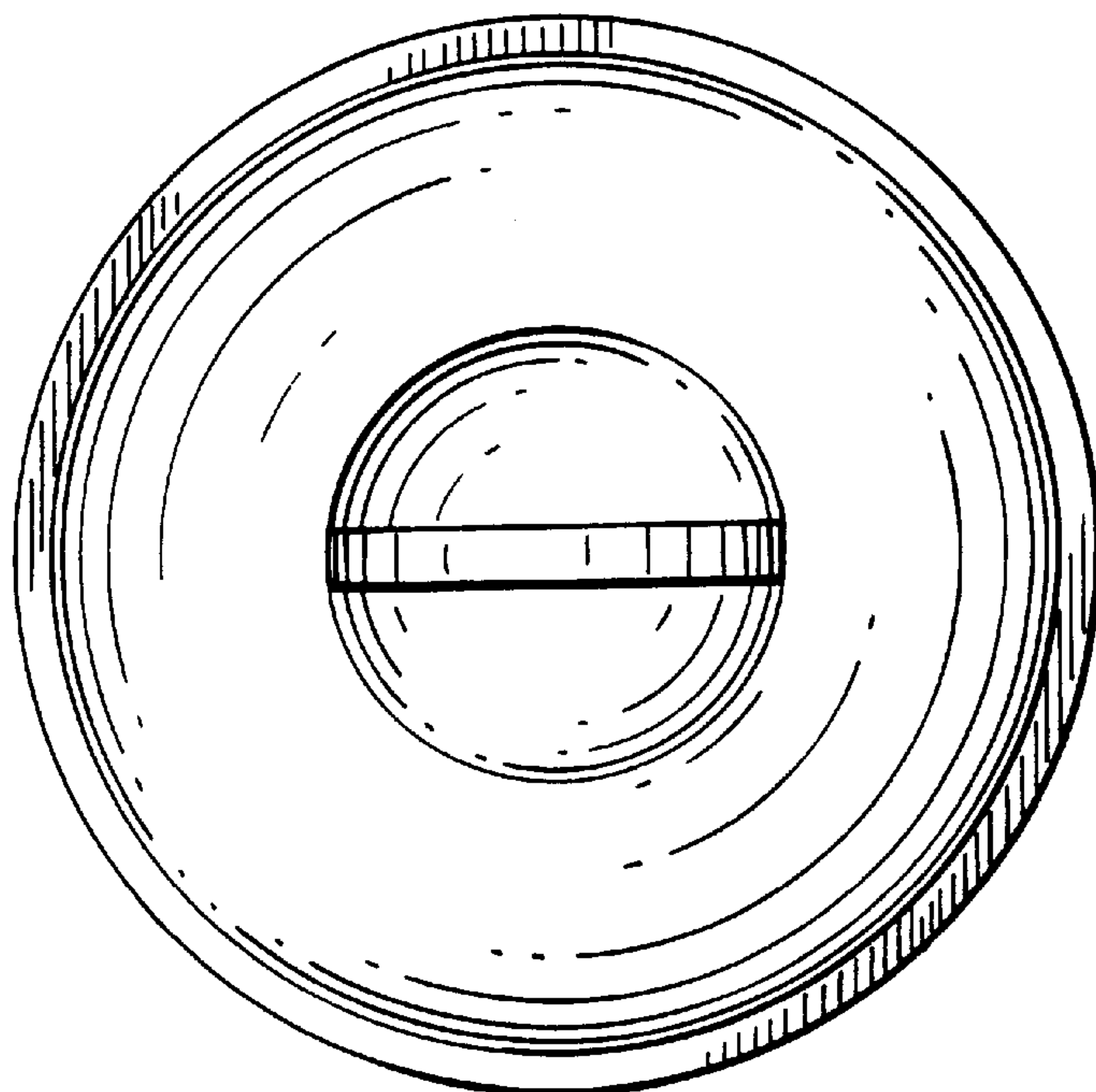
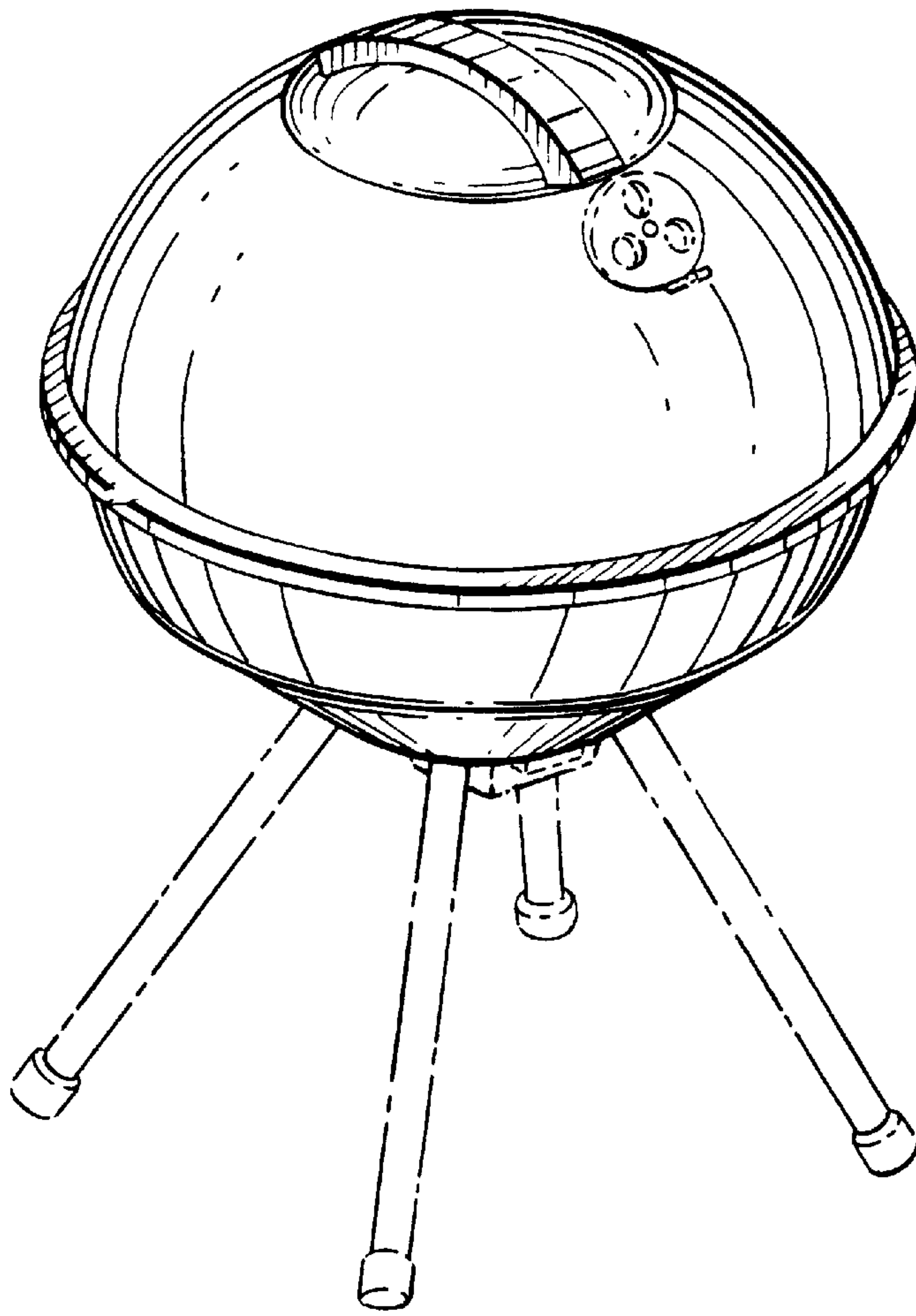


FIG. 2

FIG. 3

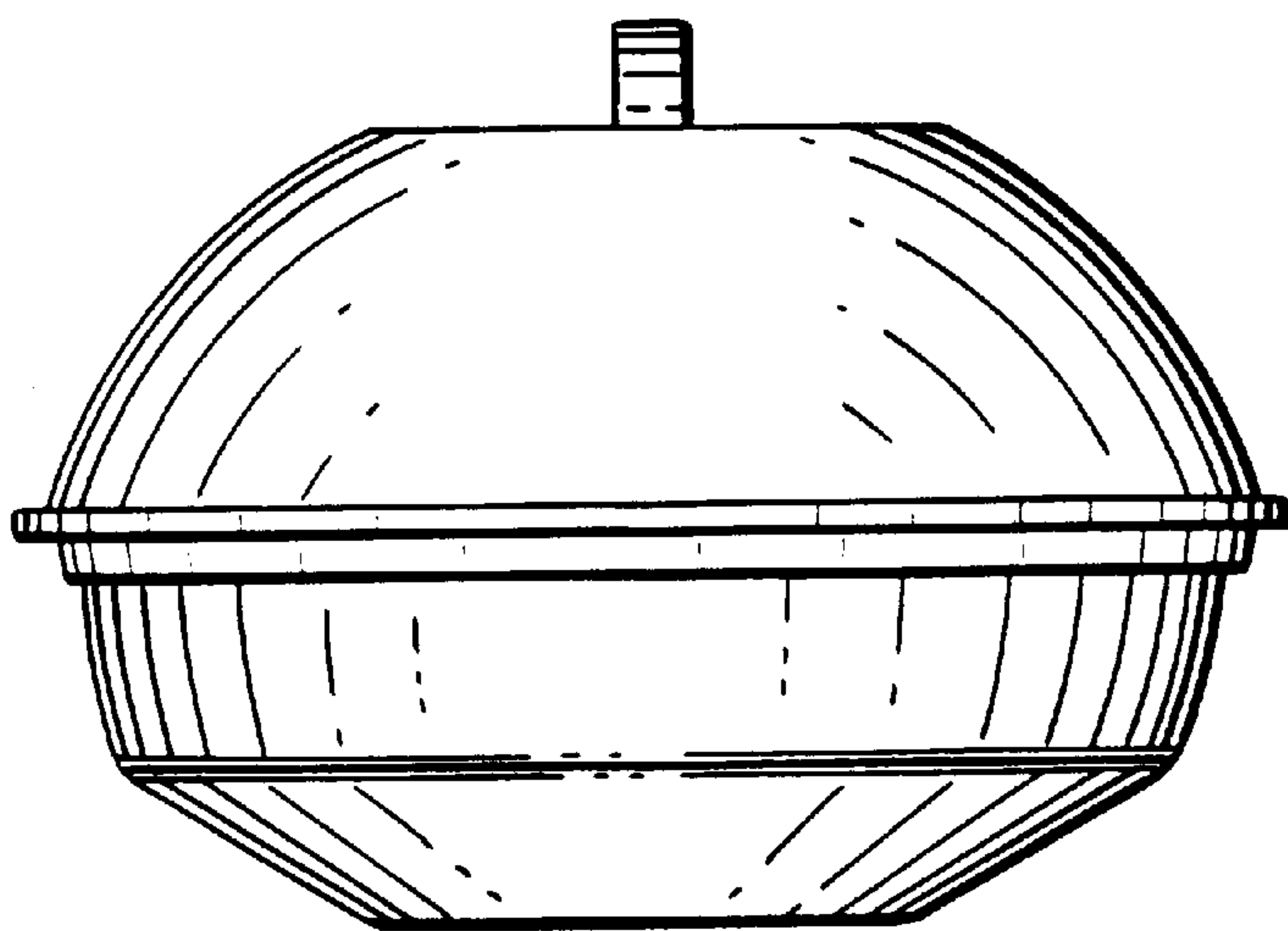
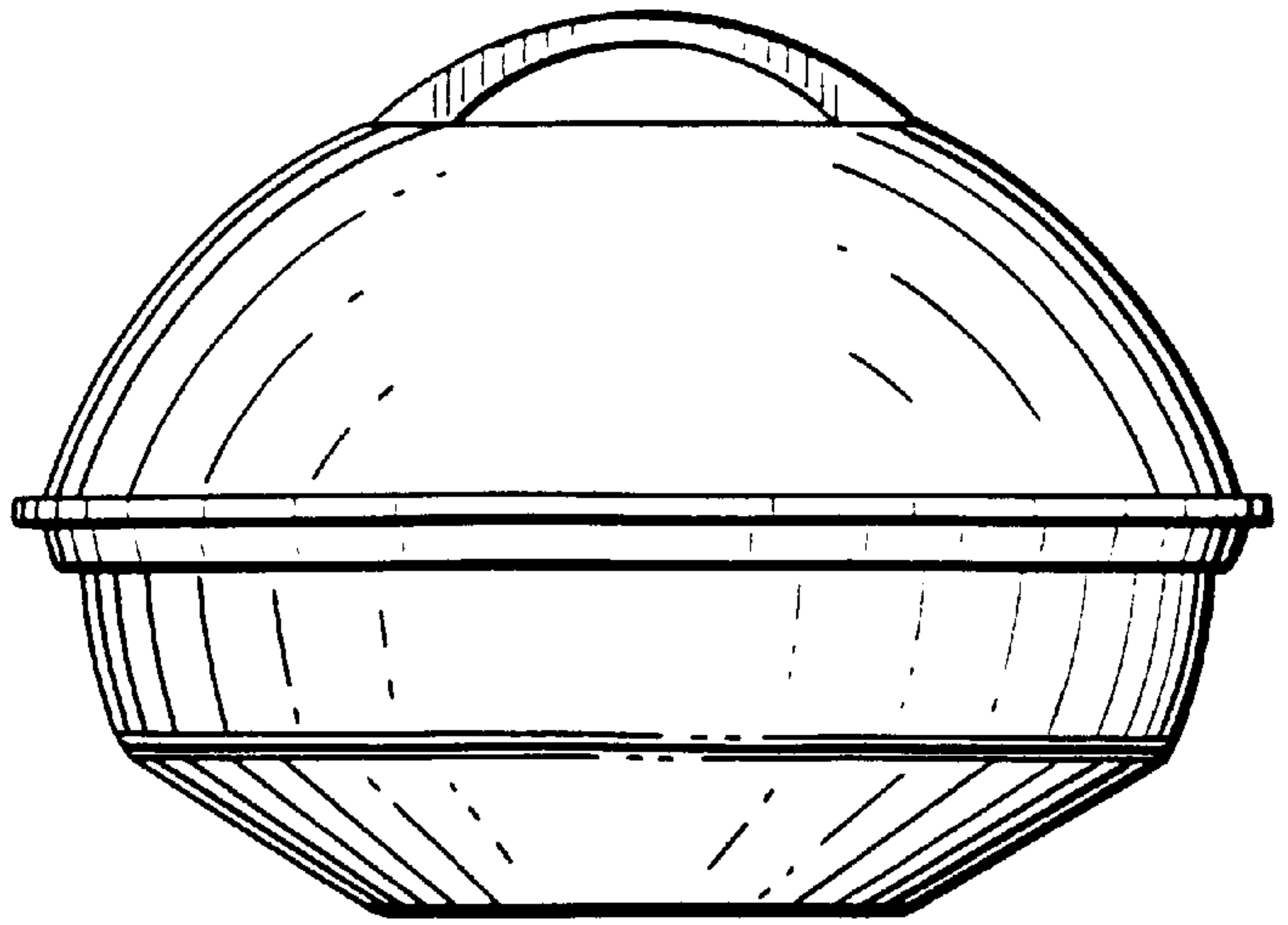


FIG. 4

FIG. 5

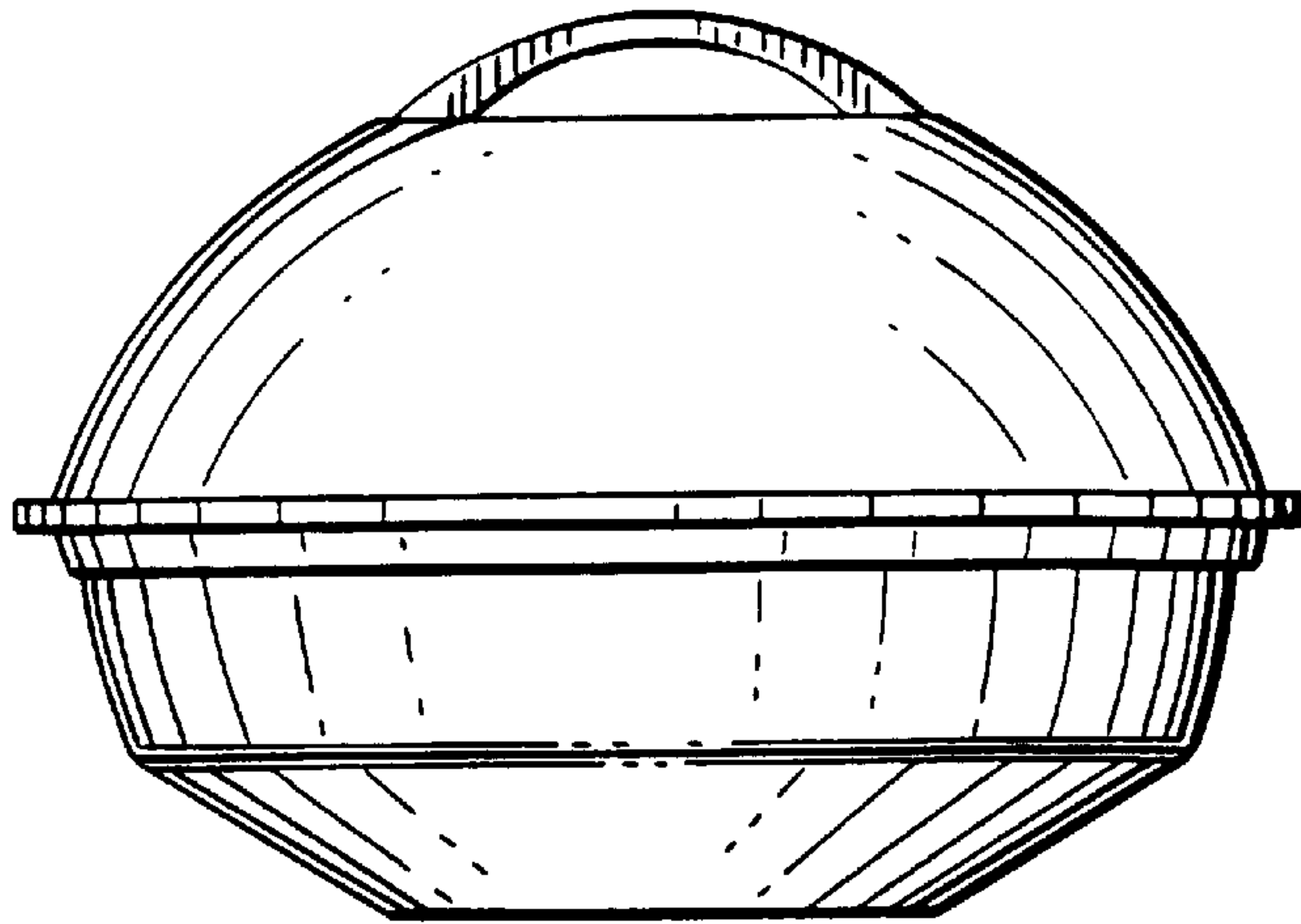


FIG. 6

