



US00D417353S

# United States Patent [19]

**Laga**

[11] **Patent Number: Des. 417,353**

[45] **Date of Patent: \*\* Dec. 7, 1999**

[54] **FLIP-UP STORAGE RACK**

[75] Inventor: **Kenneth Laga**, Emmaus, Pa.

[73] Assignee: **Lehigh Consumer Products Corporation**, Macungie, Pa.

[\*\*] Term: **14 Years**

[21] Appl. No.: **29/093,883**

[22] Filed: **Sep. 21, 1998**

[51] **LOC (6) Cl. .... 07-07**

[52] **U.S. Cl. .... D6/566; D6/552**

[58] **Field of Search** ..... D6/566, 552, 553,  
D6/567, 572; 211/13.1, 17, 18, 86-87,  
89, 123, 181.1; 248/200, 201, 205.1, 218.4,  
251, 254, 302, 304

[56] **References Cited**

**U.S. PATENT DOCUMENTS**

- D. 242,407 11/1976 Enckler ..... D6/567
- D. 310,479 9/1990 Speetzen ..... D6/566

- D. 337,345 7/1993 Gracie ..... D6/572
- D. 344,868 3/1994 Martinell ..... D6/566
- D. 396,371 7/1998 Oliver ..... D6/552
- D. 397,892 9/1998 Shaha ..... D6/552
- 4,101,107 7/1978 Antszewski ..... 248/302 X

*Primary Examiner*—Brian N. Vinson  
*Attorney, Agent, or Firm*—Samuels, Gauthier & Stevens

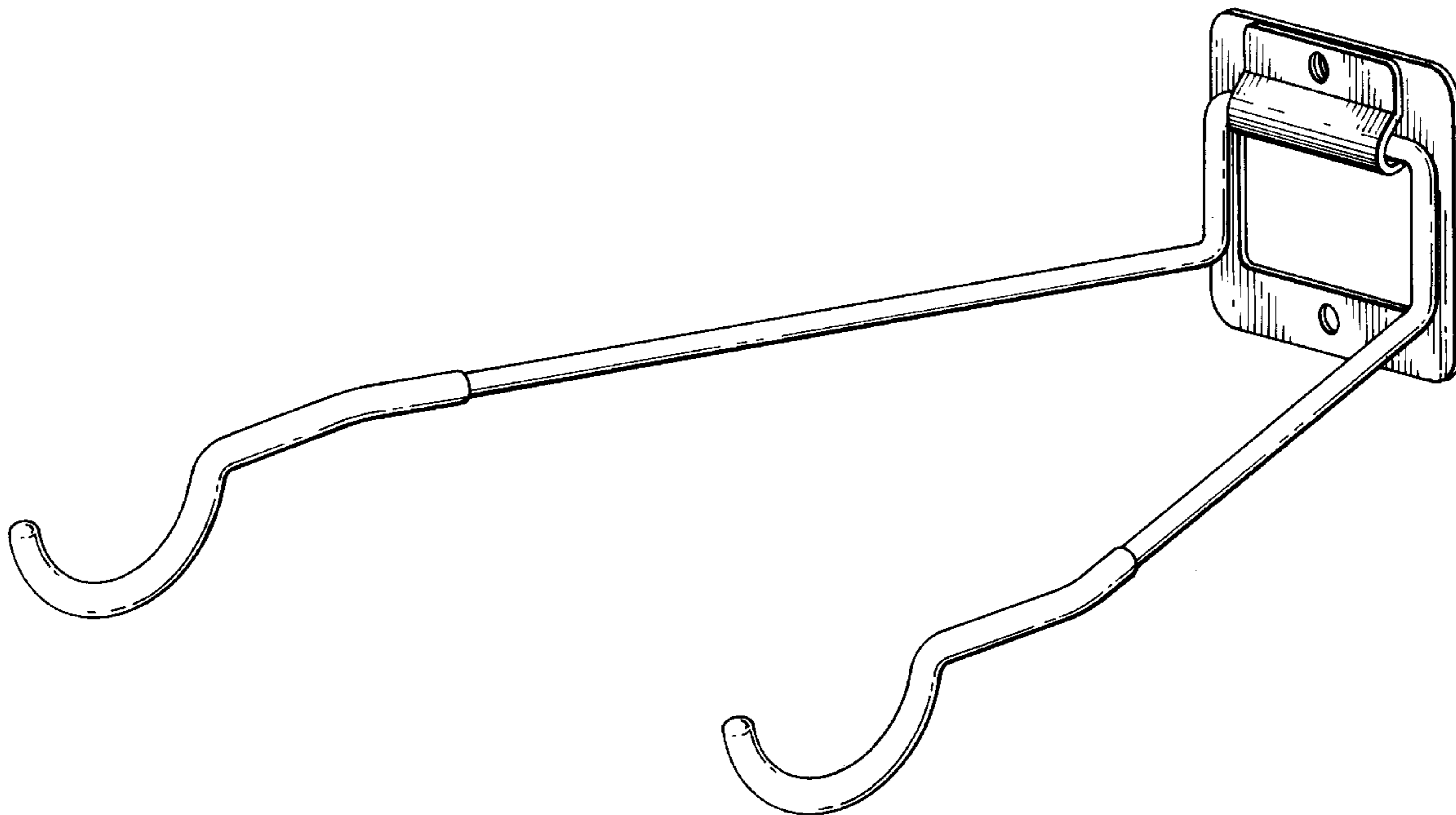
[57] **CLAIM**

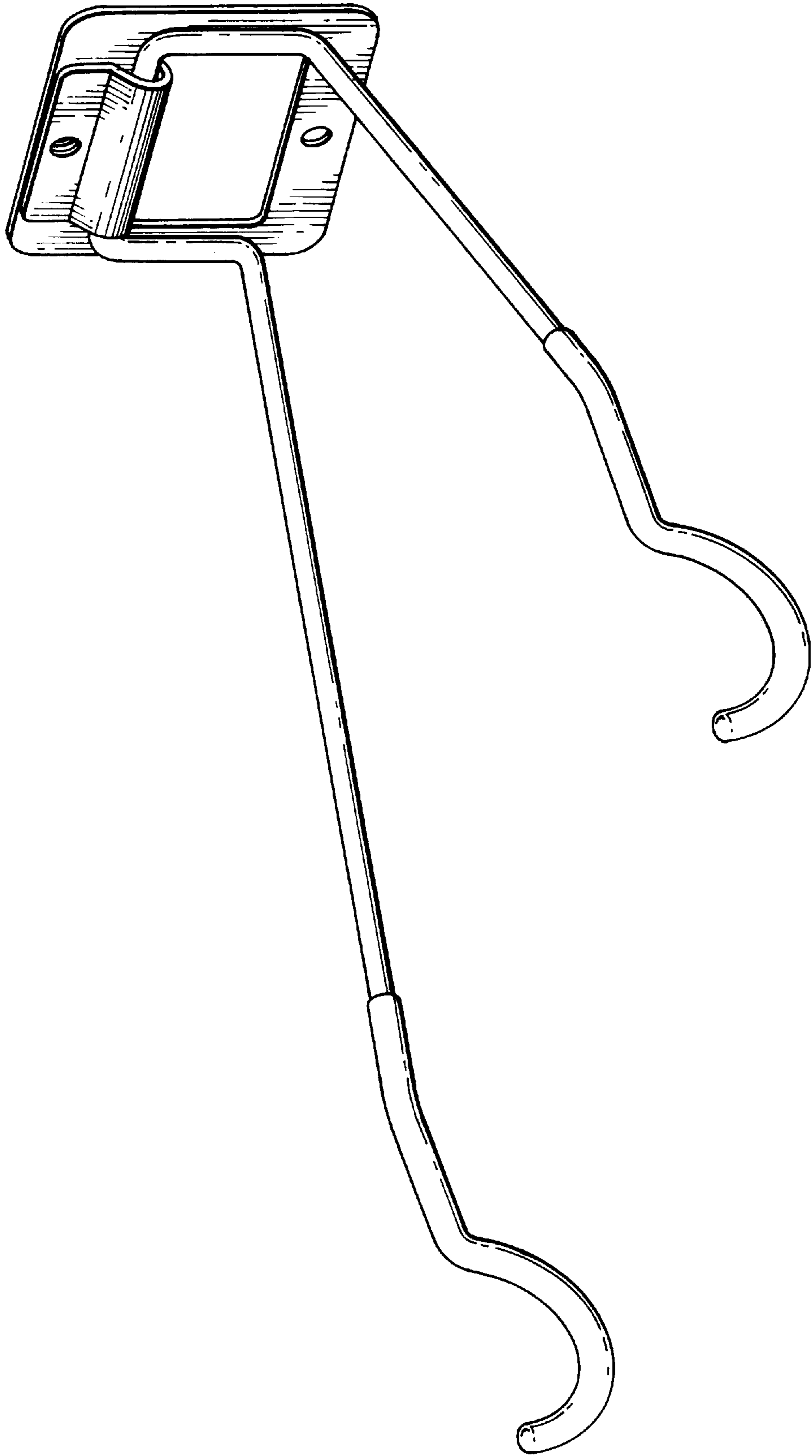
The ornamental design for a flip-up storage rack, as shown and described.

**DESCRIPTION**

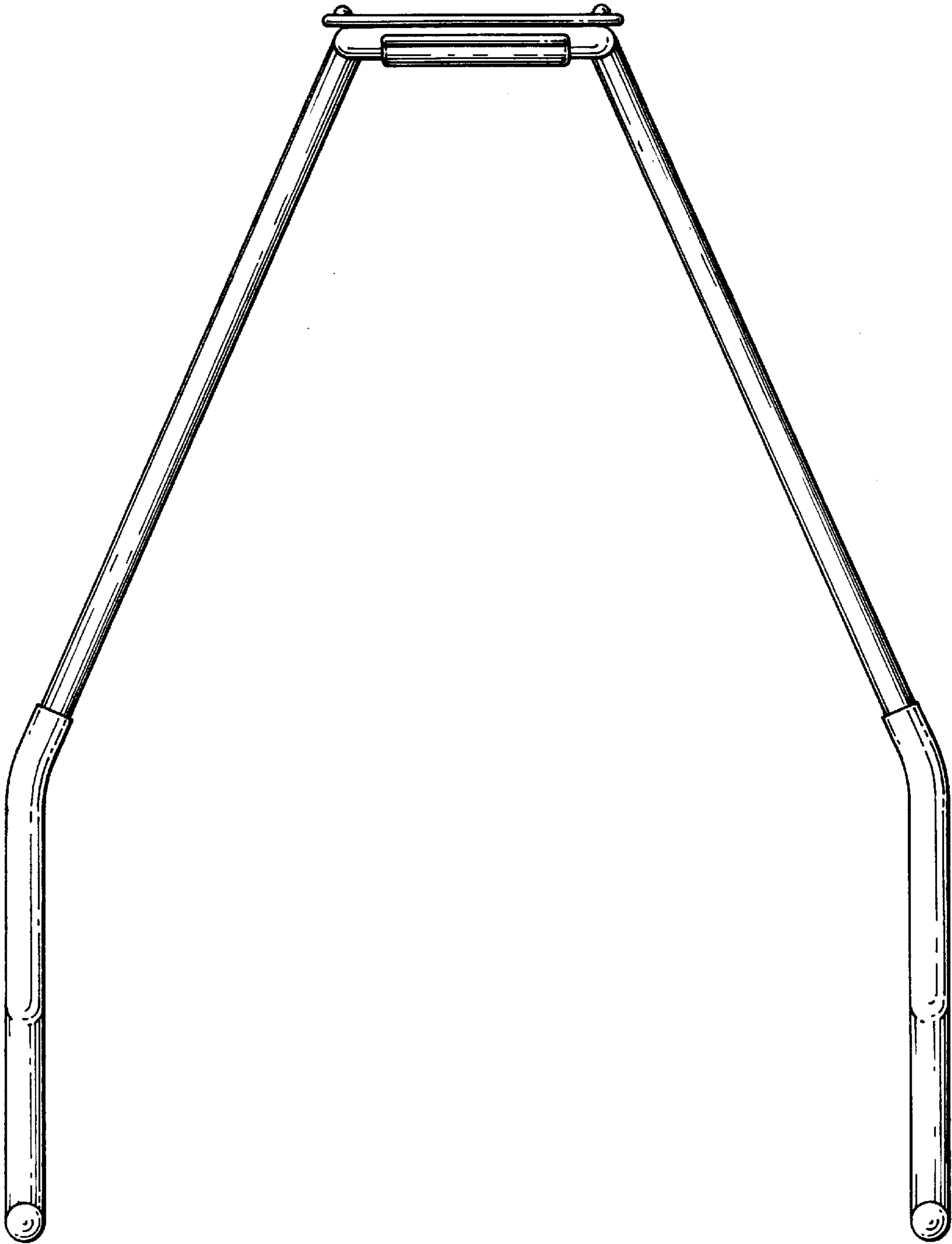
FIG. 1 is a perspective view of a flip-up storage rack showing my new design;  
FIG. 2 is a top plan view thereof;  
FIG. 3 is a bottom plan view thereof;  
FIG. 4 is a front elevational view thereof;  
FIG. 5 is a back view elevational thereof; and,  
FIG. 6 is a right side elevational view, the left side being identical thereto.

**1 Claim, 5 Drawing Sheets**

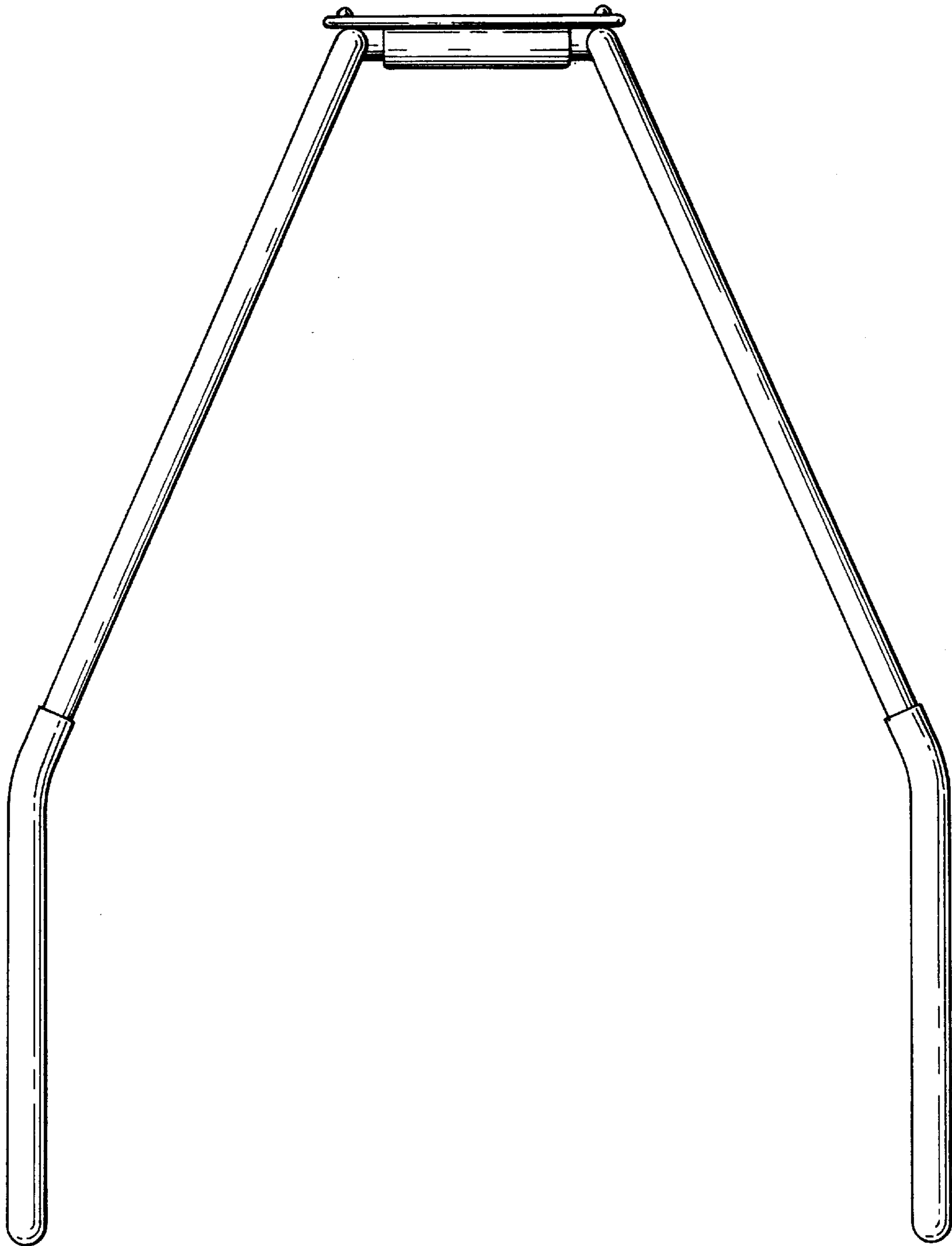




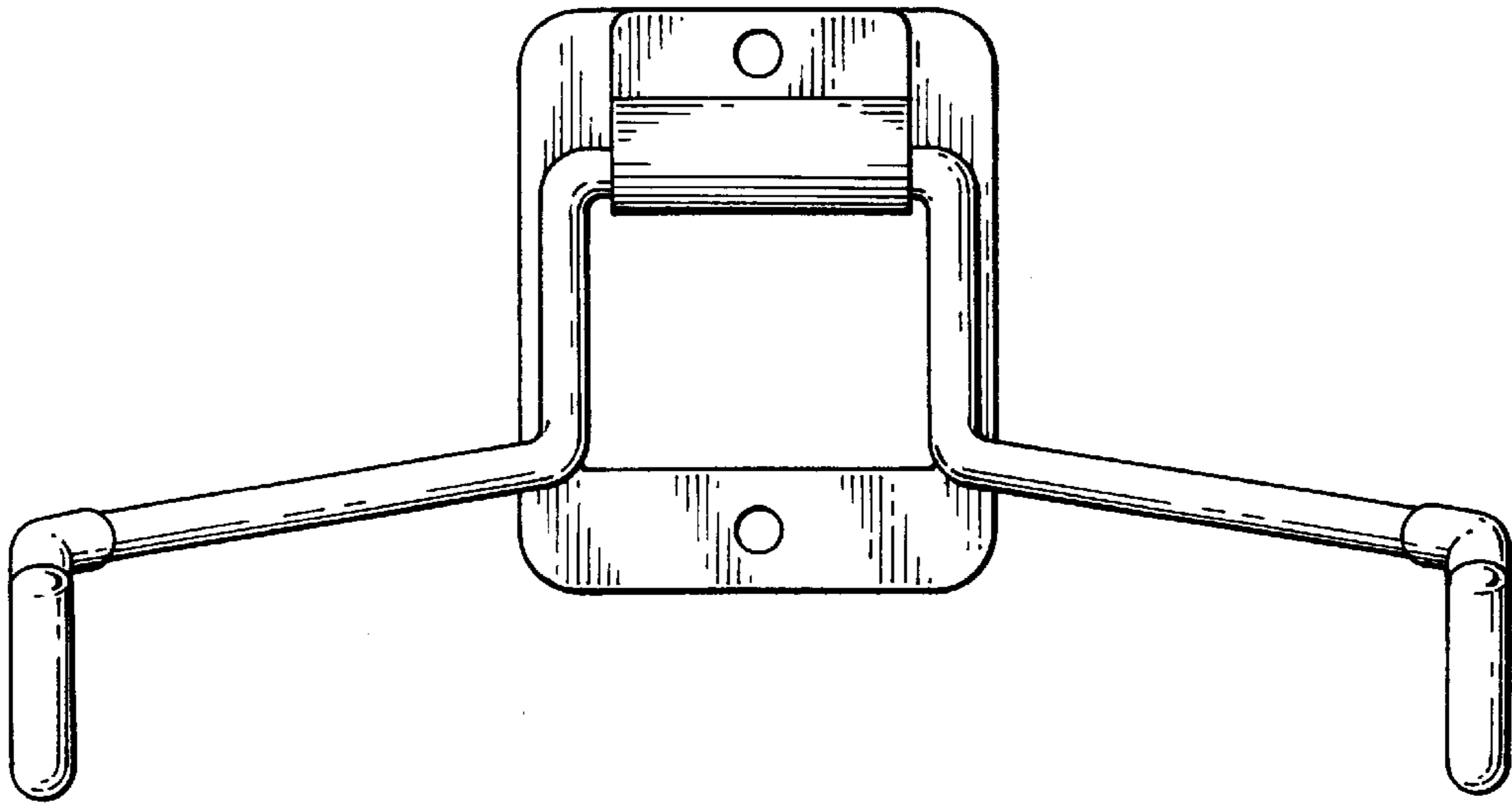
**FIG. 1**



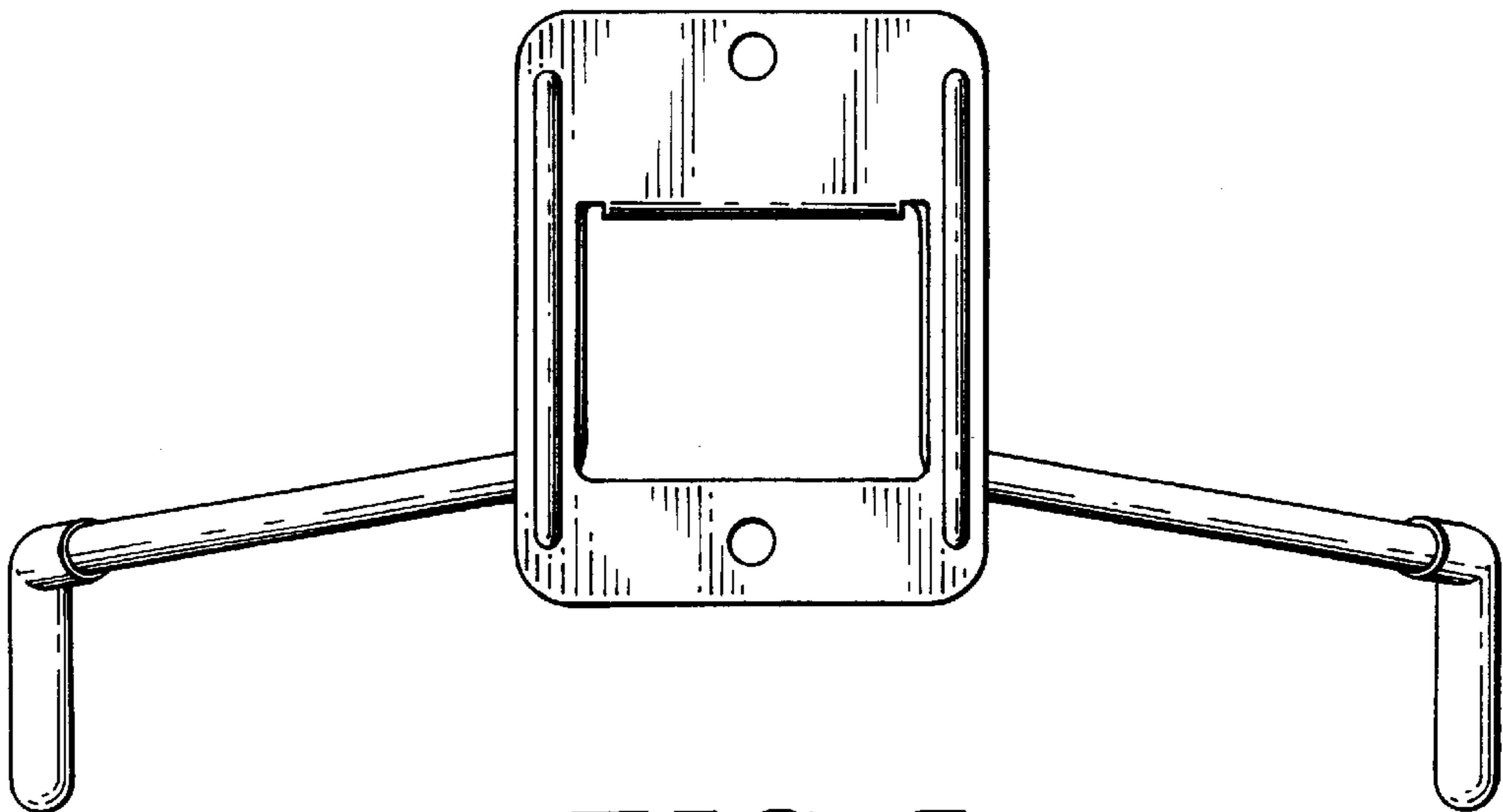
*FIG. 2*



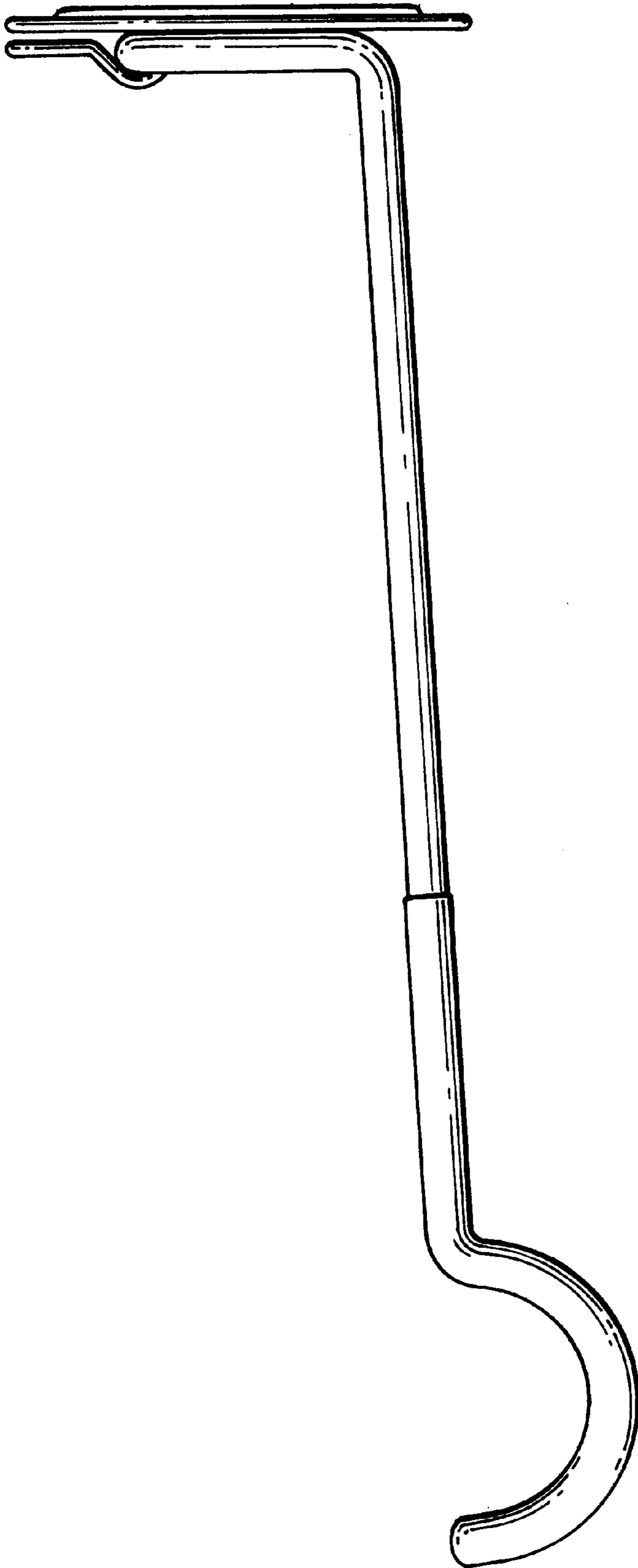
***FIG. 3***



*FIG. 4*



*FIG. 5*



*FIG. 6*