



US00D417350S

**United States Patent** [19]  
**Zaidman**

[11] **Patent Number: Des. 417,350**

[45] **Date of Patent: \*\* Dec. 7, 1999**

[54] **DRAWER PANEL**

[75] Inventor: **S. Paul Zaidman**, Winnipeg, Canada

[73] Assignee: **Palliser Furniture Ltd.**, Winnipeg, Canada

[\*\*] Term: **14 Years**

[21] Appl. No.: **29/082,922**

[22] Filed: **Jan. 30, 1998**

[51] **LOC (6) Cl.** ..... **06-06**

[52] **U.S. Cl.** ..... **D6/510**

[58] **Field of Search** ..... D6/432-448, 491-495,  
D6/509-511; 312/257, 204, 348.4

[56] **References Cited**

**U.S. PATENT DOCUMENTS**

D. 200,962	4/1965	McCarthy	.....	D6/494
D. 225,604	12/1972	Miyoshi	.....	D6/494
D. 235,044	5/1975	Donner	.....	D6/494
D. 259,686	6/1981	West	.....	D6/446
D. 396,578	8/1998	Zaidman	.....	D6/446

**OTHER PUBLICATIONS**

Take Five by Burlington, p. 2; dresser on page, 1979.

*Primary Examiner*—Carmen H. Vales-Lado

*Attorney, Agent, or Firm*—Woodard, Emhardt, Naughton, Moriarty & McNett; Clifford W. Browning

[57] **CLAIM**

The ornamental design for a drawer panel, as shown and described.

**DESCRIPTION**

FIG. 1 is a front elevational view of a drawer panel showing my new design;

FIG. 2 is a front, left side perspective view as seen when in use, the right side being a mirror image thereof;

FIG. 3 is an enlarged perspective view thereof;

FIG. 4 is a cross-sectional view taken along line 4—4 of FIG. 1;

FIG. 5 is a front, left side perspective view of a second embodiment of the drawer panel shown in FIG. 1, the right side being a mirror image thereof;

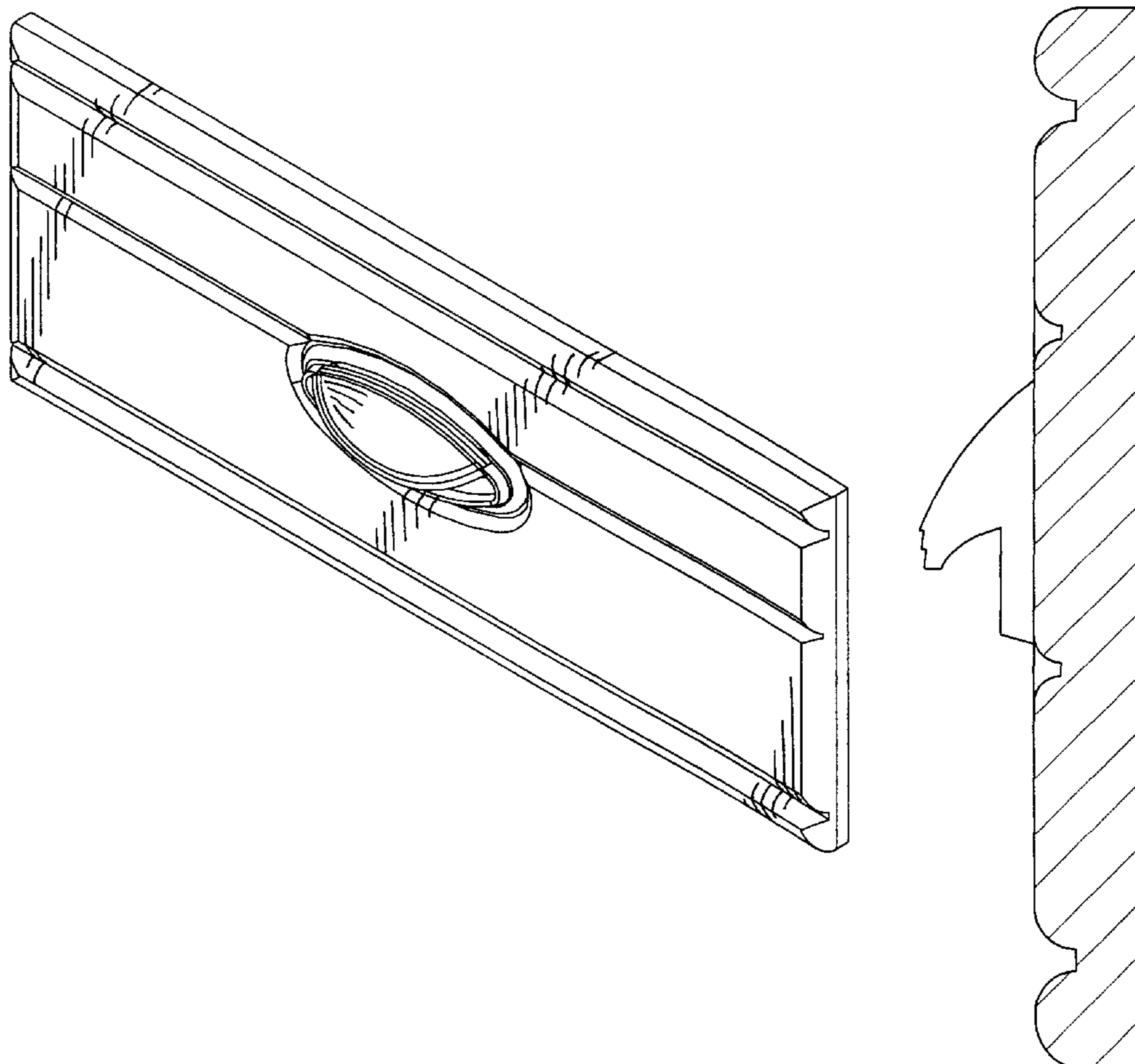
FIG. 6 is a front, left side perspective view of the drawer panel of FIG. 1 on a different casegood, the right side being a mirror image thereof;

FIG. 7 is a front, left side perspective view of the drawer panel of FIG. 5 on a different casegood, the right side being a mirror image thereof; and,

FIG. 8 is a front, right side perspective view of the drawer panel of FIG. 1 on a different casegood, the left side being a mirror image thereof.

The broken lines shown throughout the views are for illustrative purposes only and form no part of the claimed design. The portions of the panel not shown in the drawings or described in the specification form no part of the claimed design.

**1 Claim, 7 Drawing Sheets**



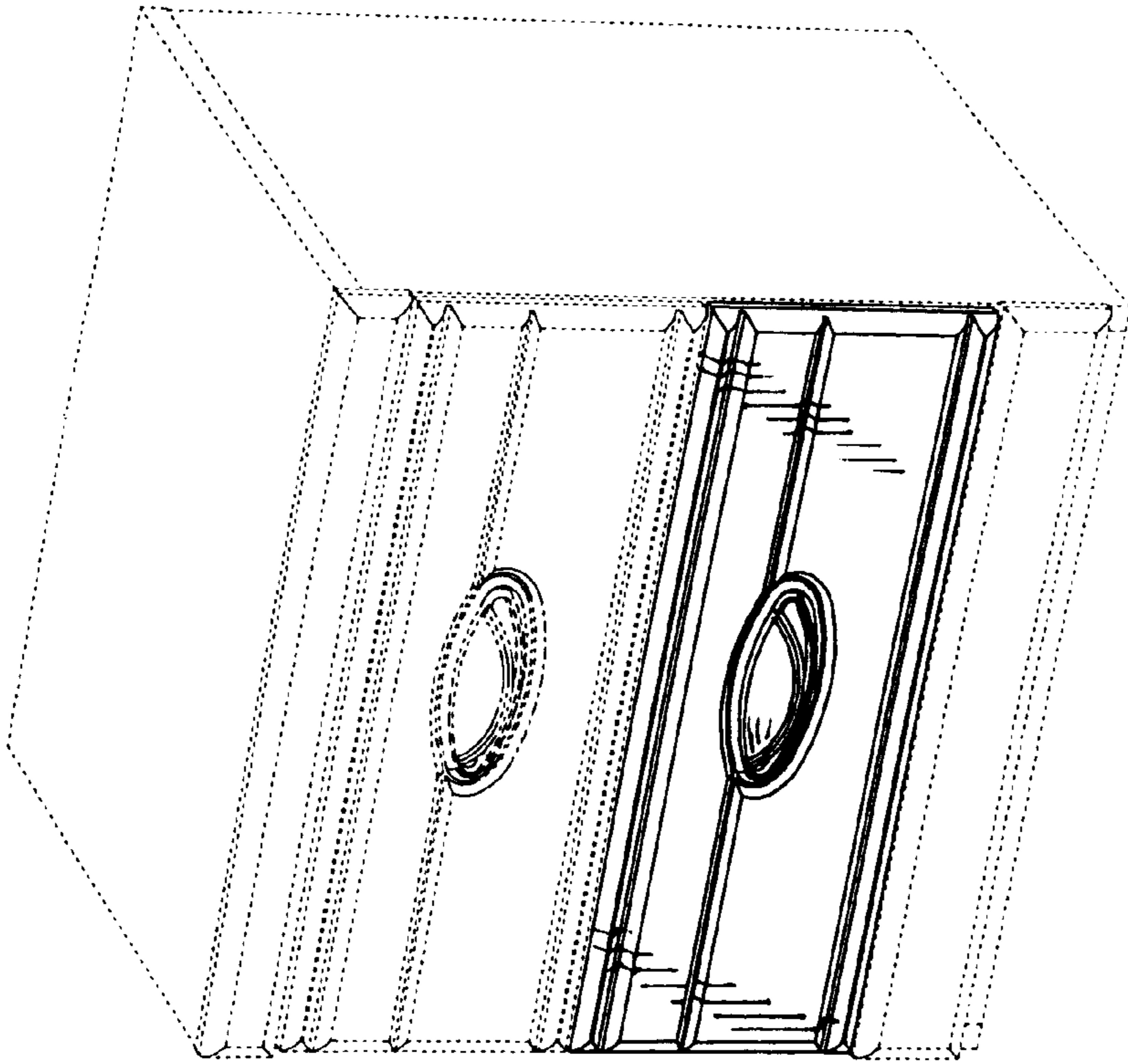


FIG. 2

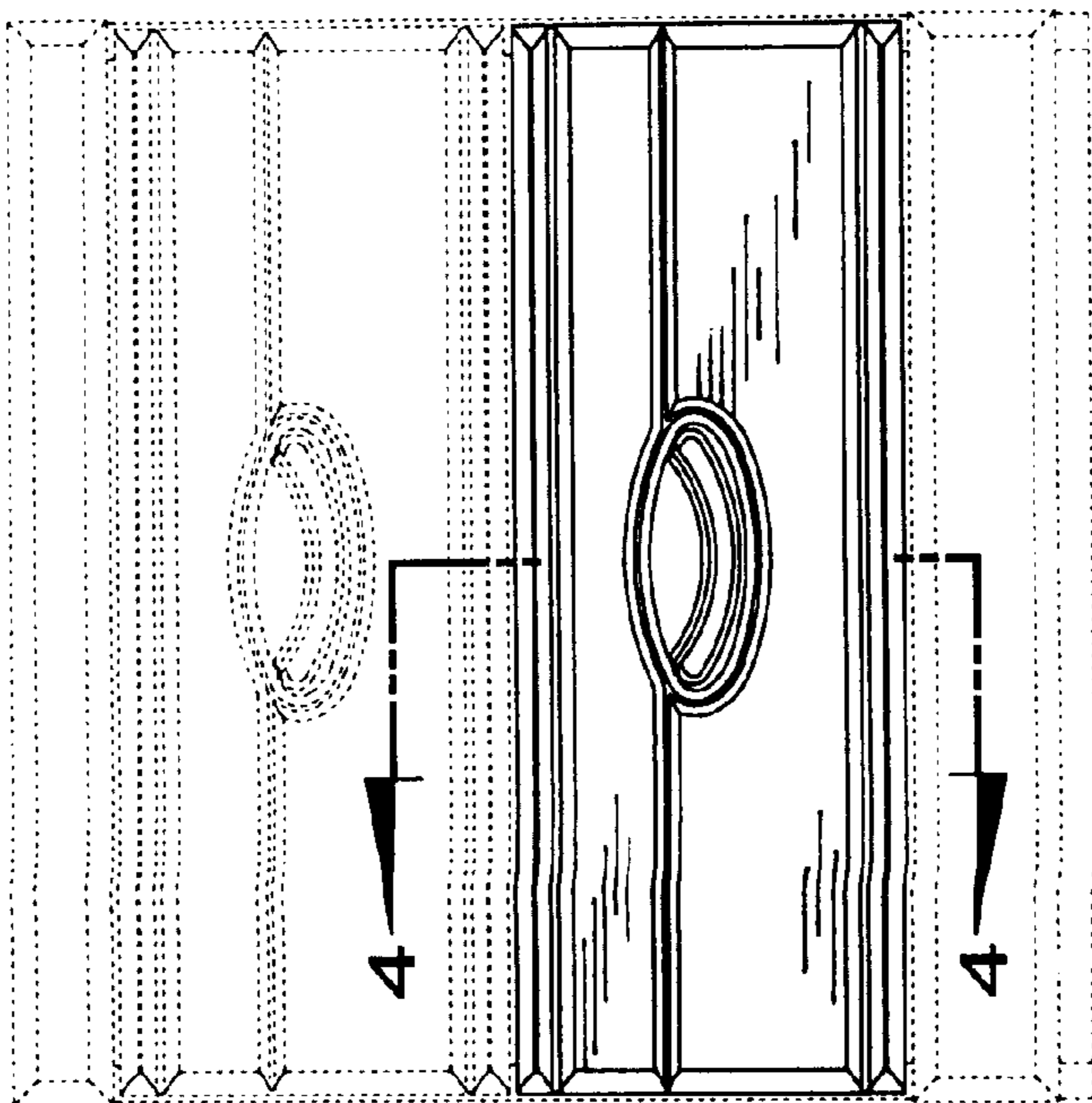


FIG. 1

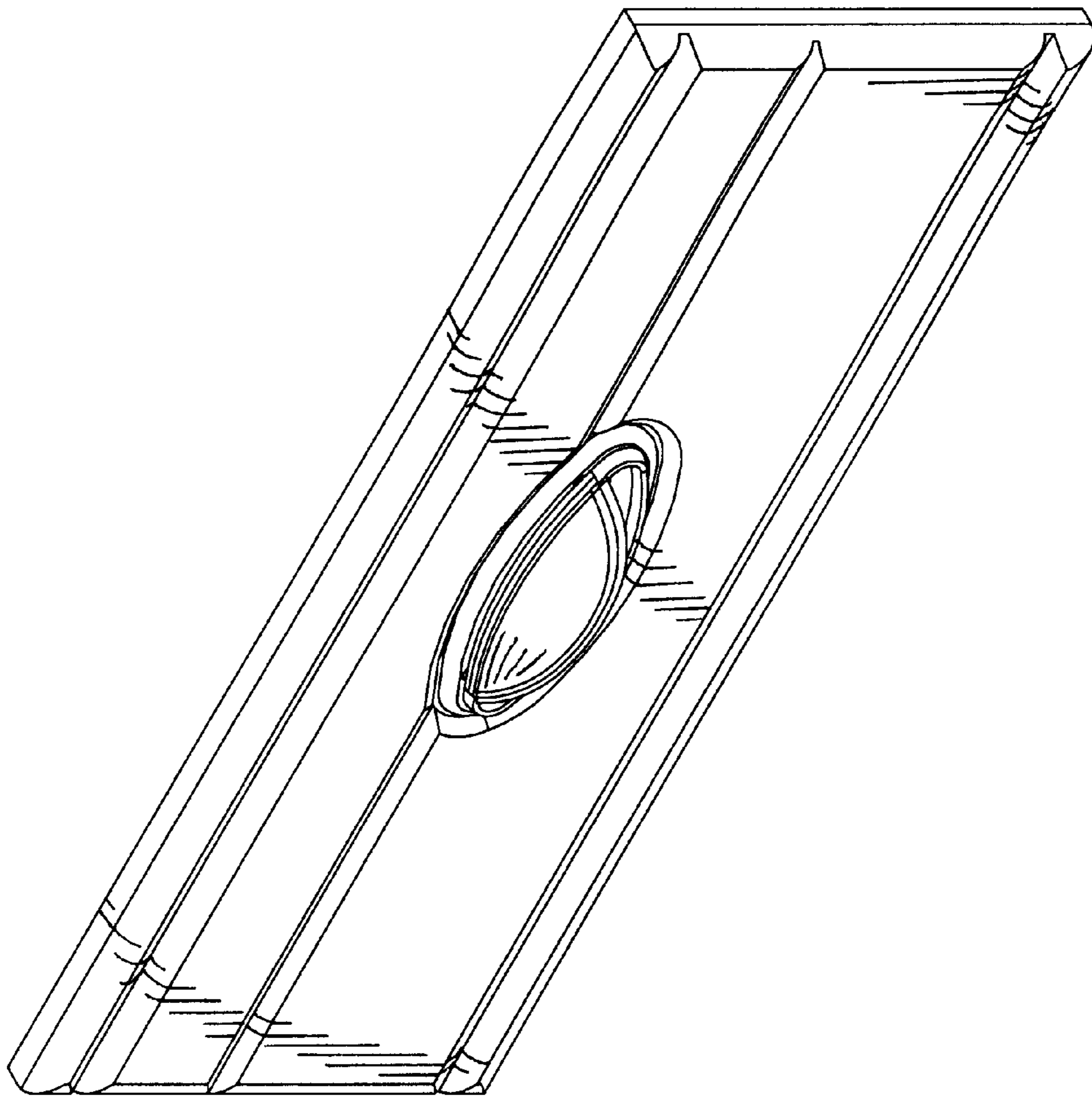


FIG. 3

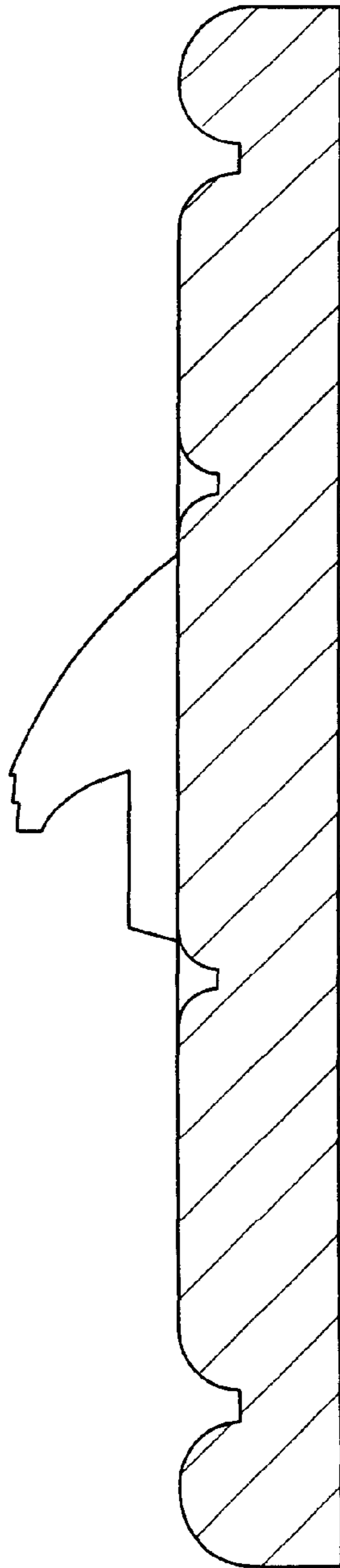


FIG. 4

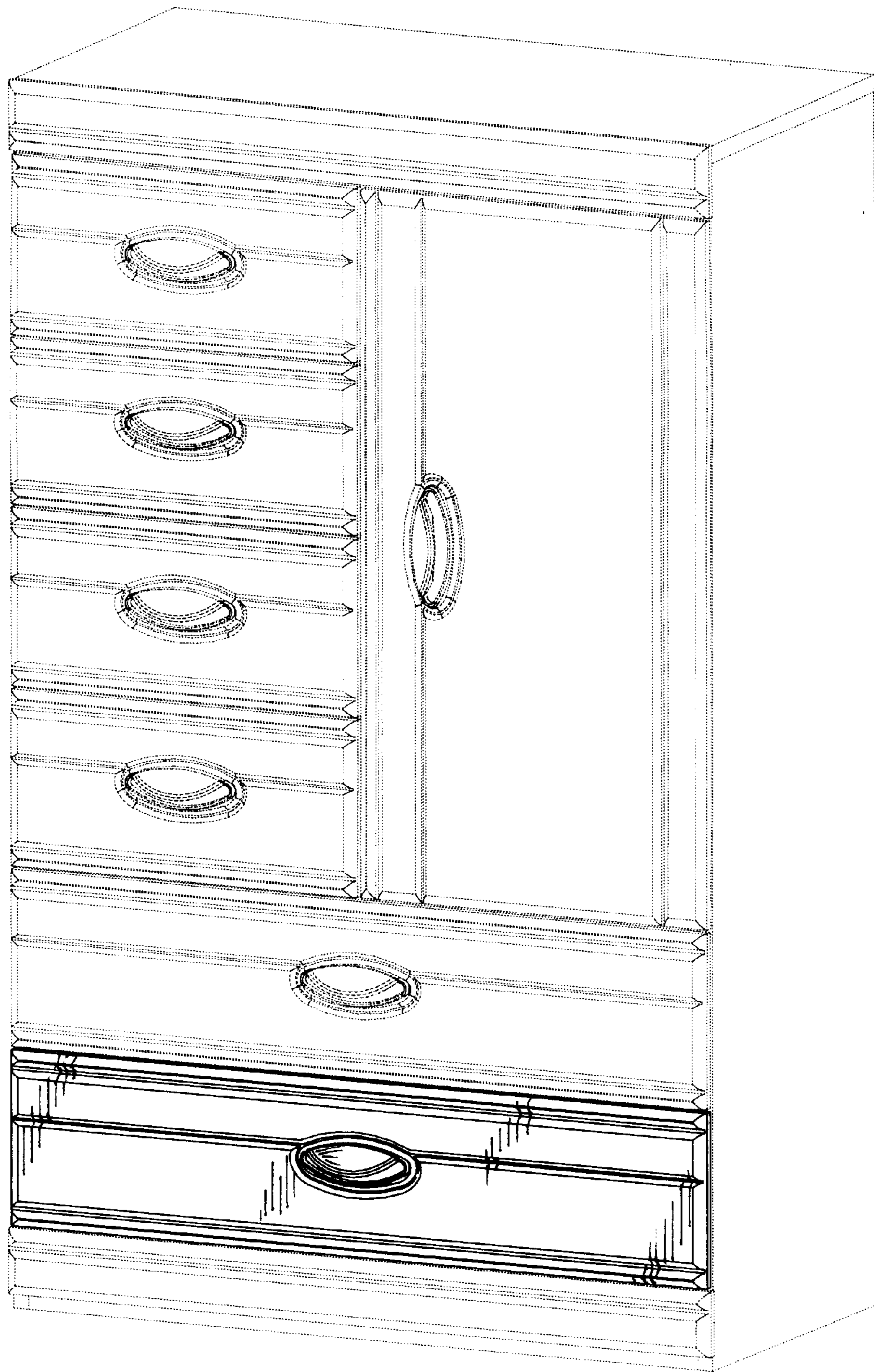


FIG. 5

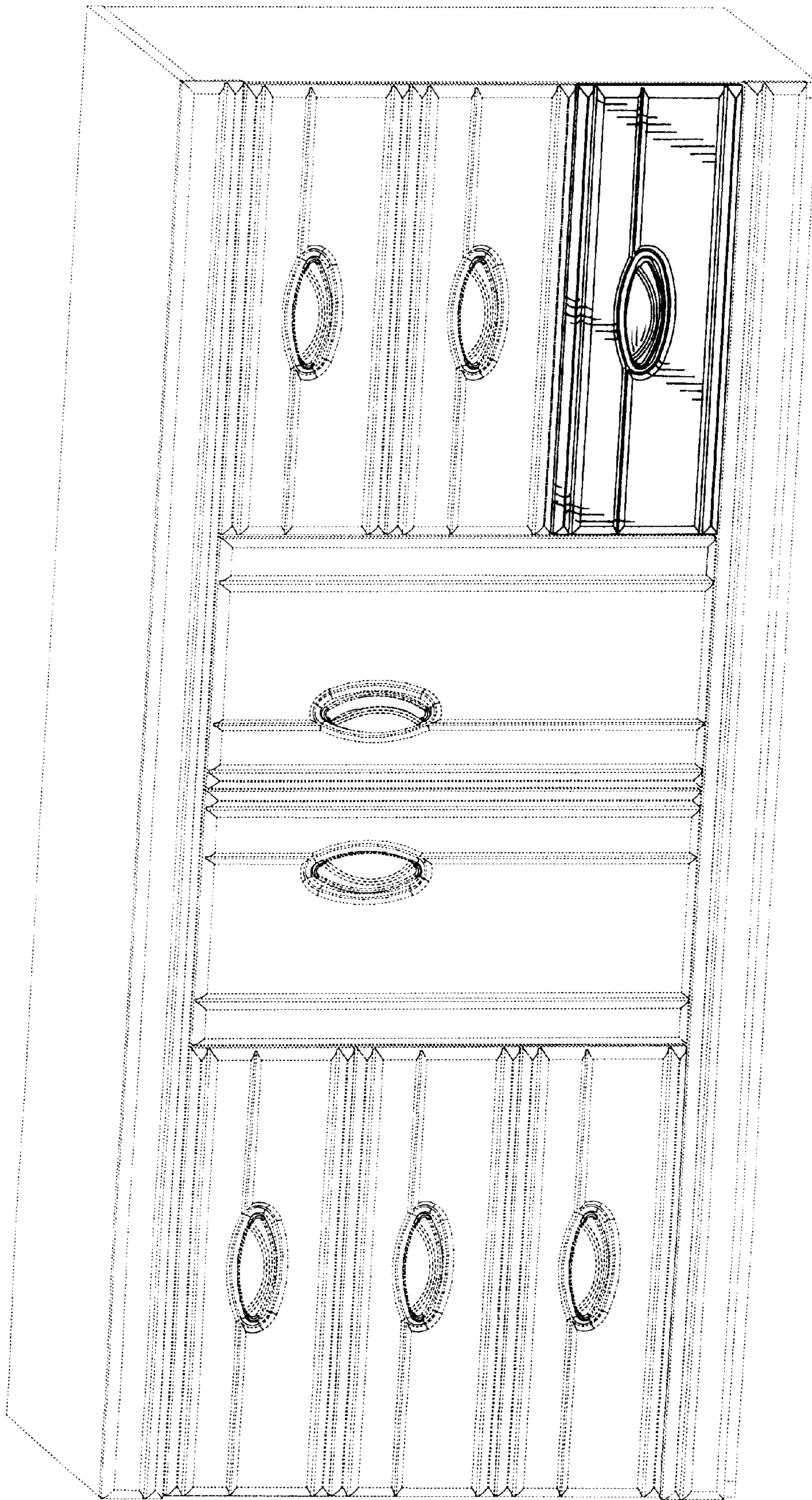


FIG. 6

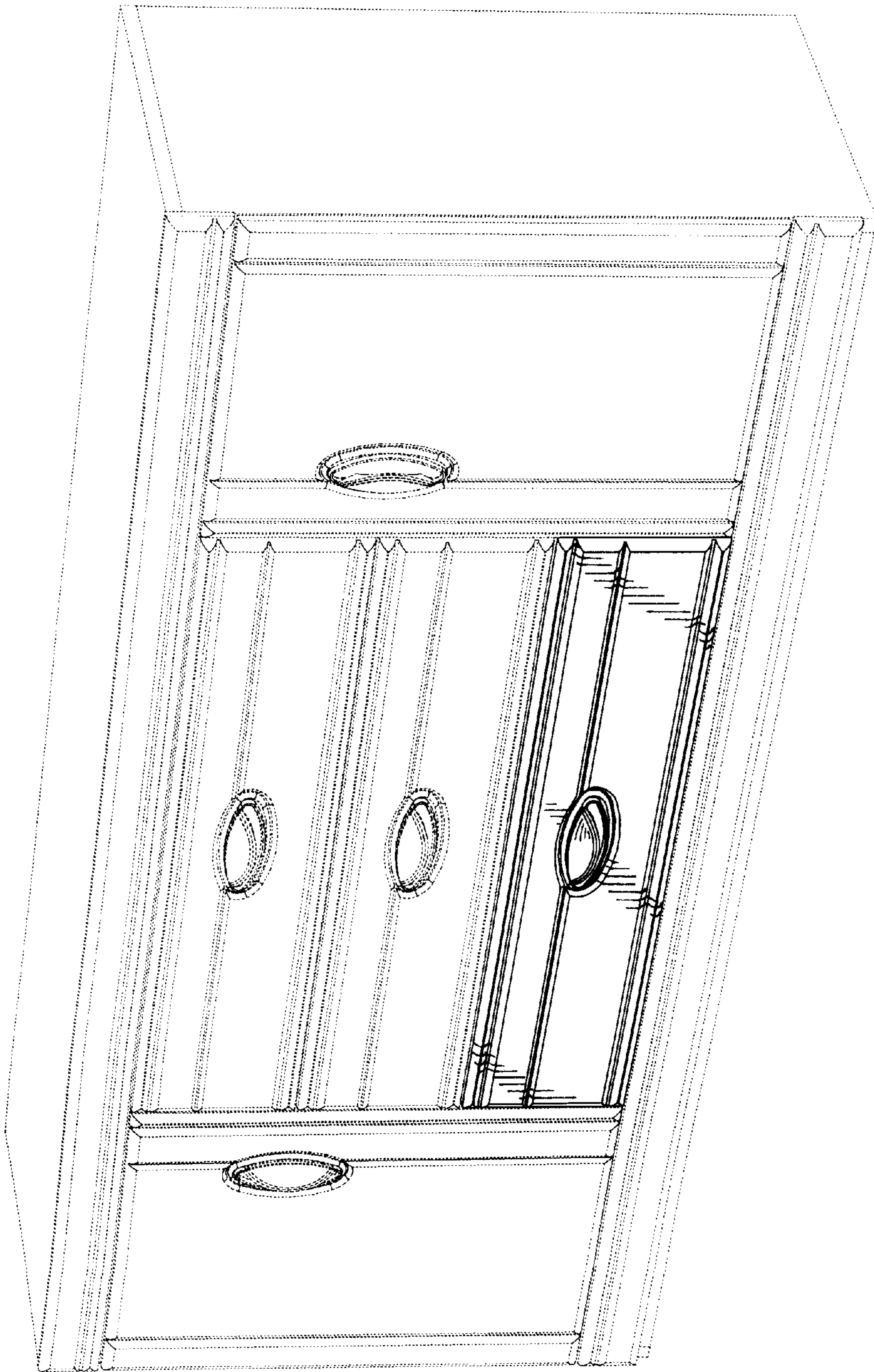


FIG. 7

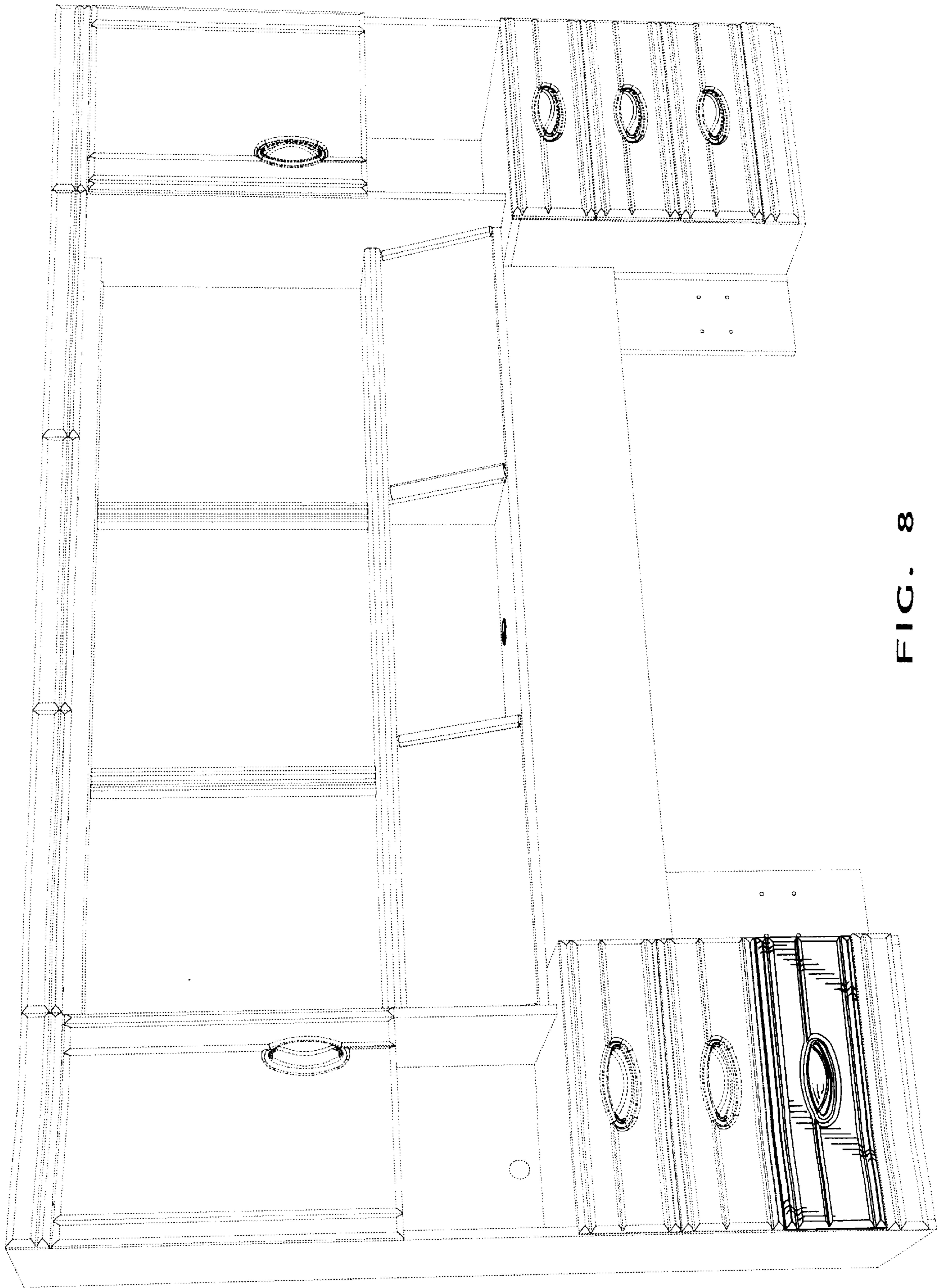


FIG. 8