



US00D417349S

United States Patent [19] Donati

[11] **Patent Number: Des. 417,349**

[45] **Date of Patent: ** Dec. 7, 1999**

[54] **ARM FOR OFFICE CHAIR**

D. 410,808 6/1999 Baumann et al. D6/500
5,839,786 11/1998 Cvek 297/411.36 X

[75] Inventor: **Armando Donati**, Lumezzane, Italy

Primary Examiner—Gary D. Watson
Attorney, Agent, or Firm—Lerner, David, Littenberg,
Krumholz & Mentlik, LLP

[73] Assignee: **Donati, S.p.A.**, Italy

[**] Term: **14 Years**

[21] Appl. No.: **29/096,685**

[57] **CLAIM**

The ornamental design for an arm for office chair, as shown and described.

[22] Filed: **Nov. 18, 1998**

DESCRIPTION

[30] **Foreign Application Priority Data**

May 18, 1998 [XH] Hague Agreement DM/044014

FIG. 1 is a front, perspective view of the arm for office chair in accordance with the present invention;

[51] **LOC (6) Cl.** **06-06**

FIG. 2 is a front, elevational view of the arm for office chair shown in FIG. 1;

[52] **U.S. Cl.** **D6/501; D6/366**

FIG. 3 is a right side, elevational view of the arm for office chair shown in FIG. 1, with the left side view being the mirror image thereof;

[58] **Field of Search** D6/334, 364, 365,
D6/366, 367, 500, 501, 502; 297/411.2,
411.27, 411.36

FIG. 4 is a top plan view of the arm for office chair shown in FIG. 1;

[56] **References Cited**

U.S. PATENT DOCUMENTS

- D. 277,916 3/1985 Aronowitz et al. D6/501
- D. 393,755 4/1998 Nemeth, Jr. D6/366
- D. 406,710 3/1999 Holstensson D6/501
- D. 407,246 3/1999 Stumpf D6/501
- D. 407,911 4/1999 Bräuning D6/366
- D. 408,181 4/1999 Ginat D6/500

FIG. 5 is a bottom plan view of the arm for office chair shown in FIG. 1; and,

FIG. 6 is a rear, elevational view of the arm for office chair shown in FIG. 1.

The broken lines shown in FIG. 1 are for illustrative purposes only and form no part of the claimed design.

1 Claim, 2 Drawing Sheets

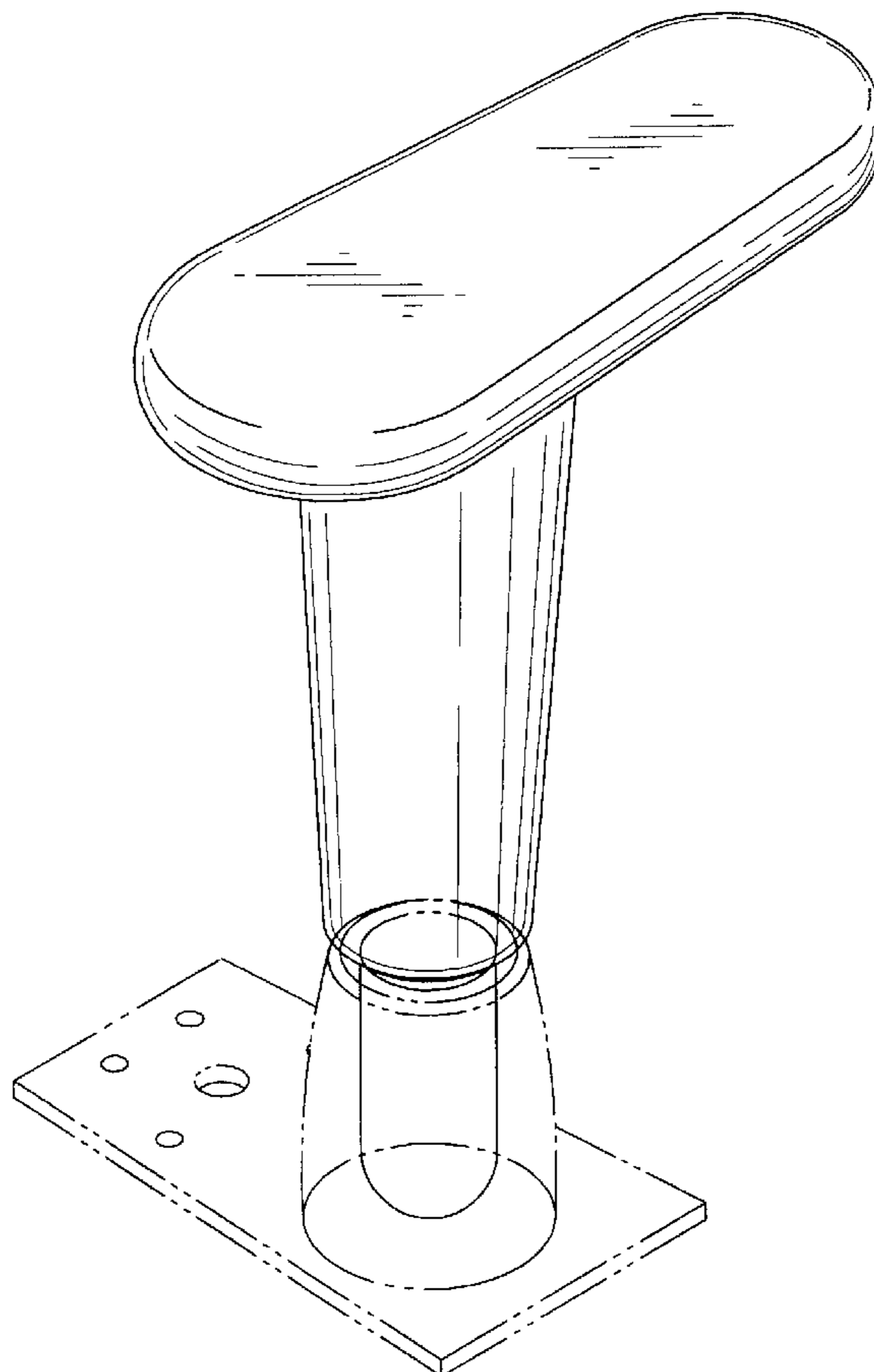


FIG. 1

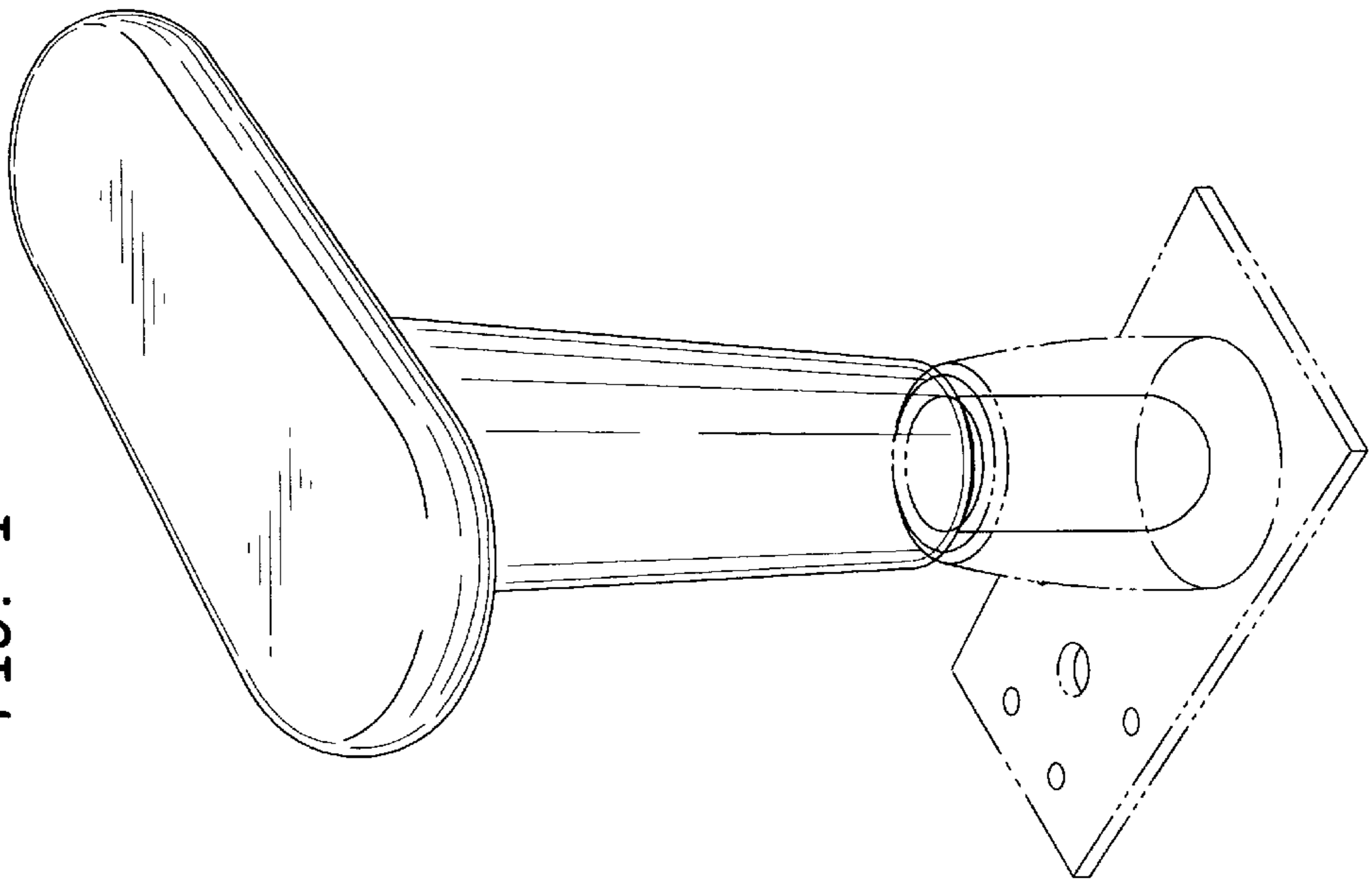


FIG. 2

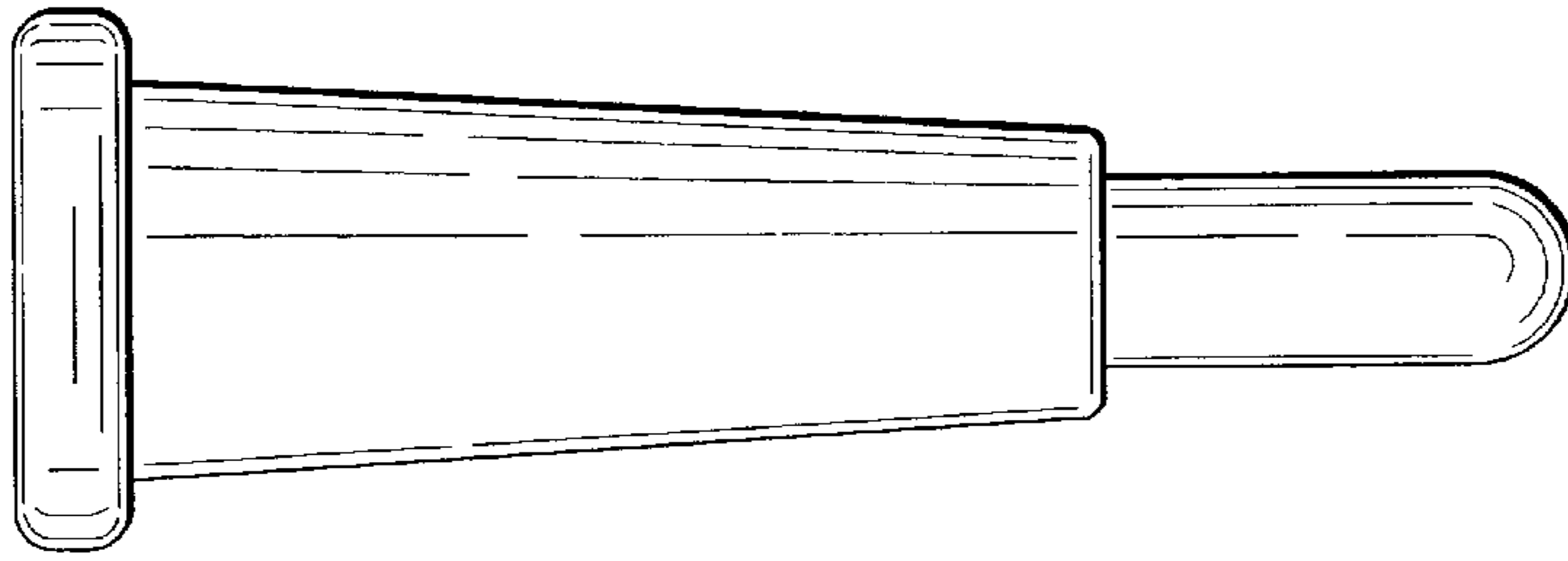


FIG. 3

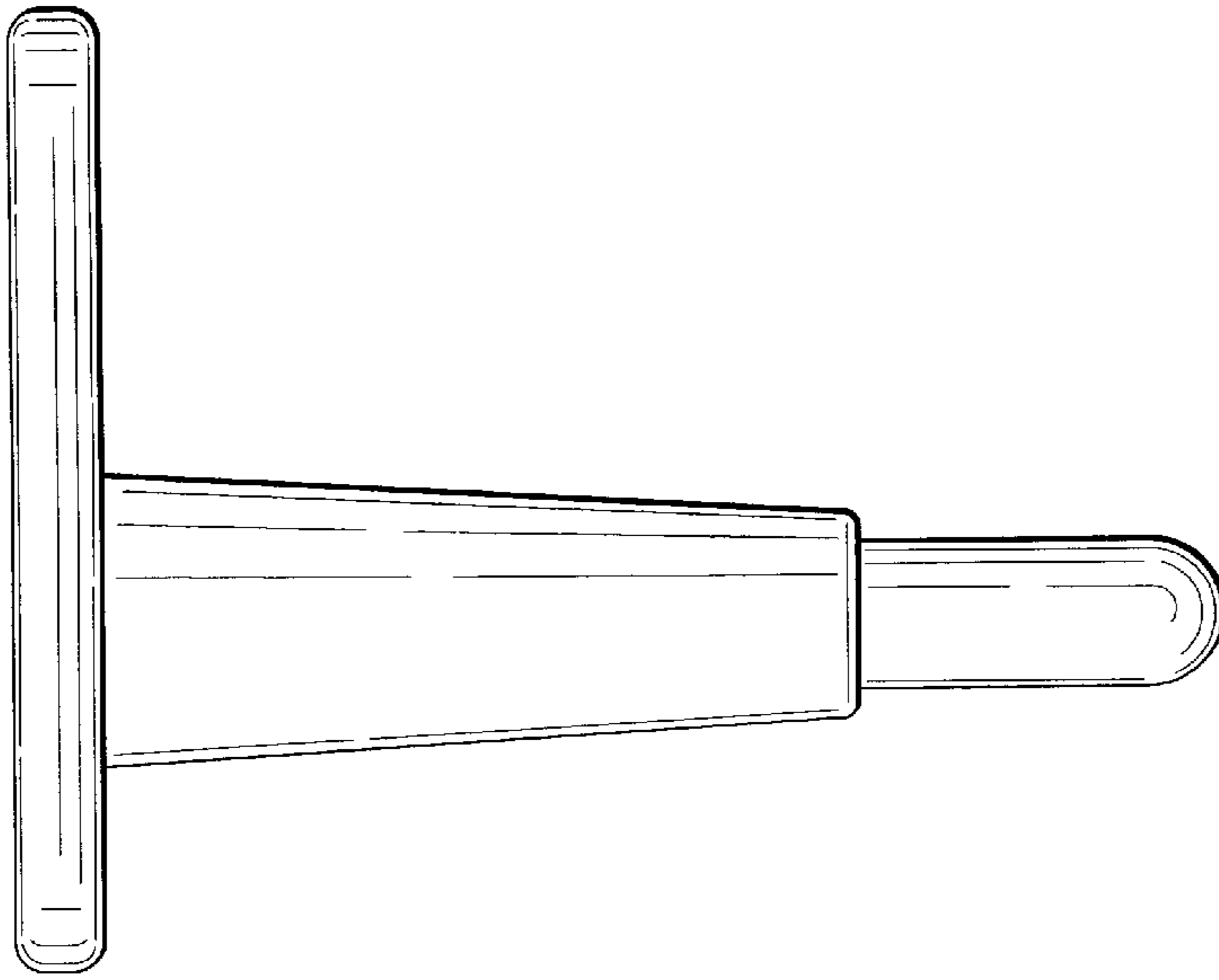


FIG. 6

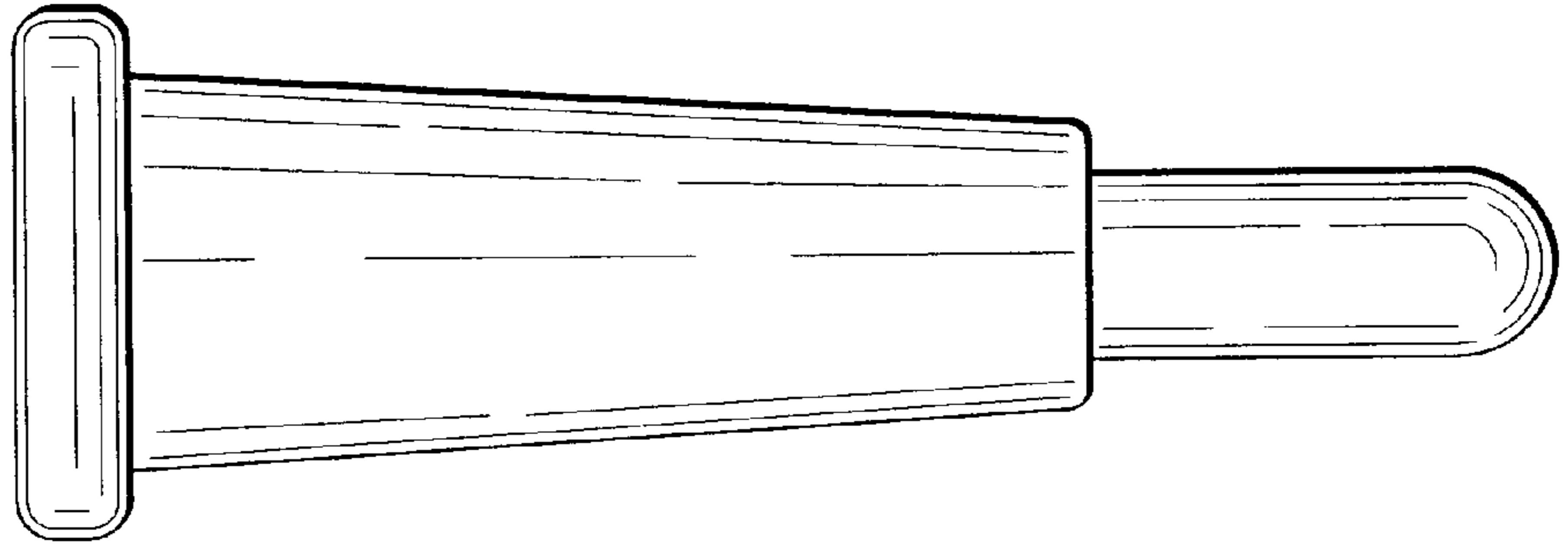


FIG. 5

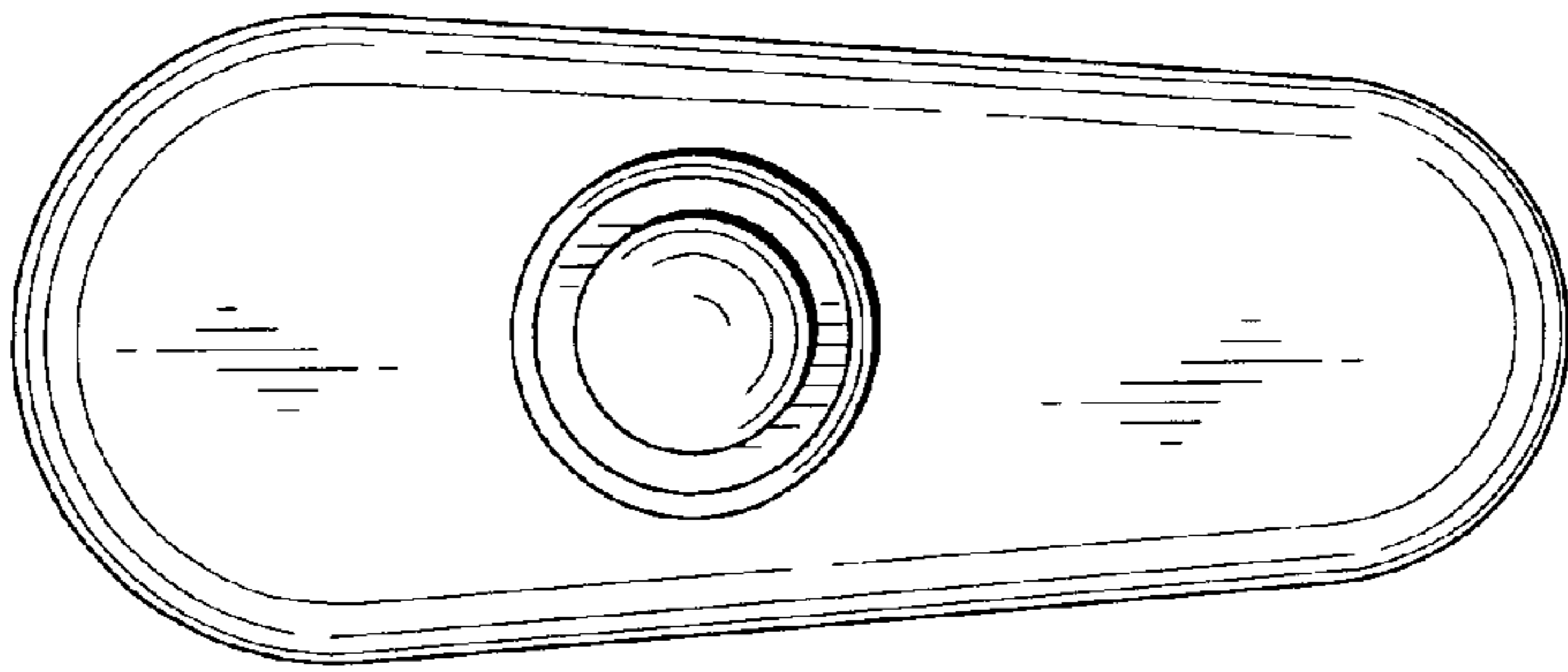


FIG. 4

