



US00D417346S

United States Patent [19]

Walters, III et al.

[11] Patent Number: Des. 417,346

[45] Date of Patent: ** Dec. 7, 1999

[54] **SIDEBOARD**

D. 390,041 2/1998 Cain D6/433

[75] Inventors: **Guy A. Walters, III**, High Point; **Avis Edward Tobin, Jr.**, Thomasville, both of N.C.

Primary Examiner—Carmen H. Vales-Lado
Attorney, Agent, or Firm—Rhodes & Mason, P.L.L.C.

[73] Assignee: **Thomasville Furniture Industries, Inc.**, Thomasville, N.C.

[57] **CLAIM**

The ornamental design for a sideboard, as shown and described.

[**] Term: **14 Years**

DESCRIPTION

[21] Appl. No.: **29/094,524**

FIG. 1 is a left front perspective view of a sideboard showing our new design;

[22] Filed: **Oct. 5, 1998**

FIG. 2 is a side elevational view, the opposite side being a mirror image thereof;

[51] **LOC (6) Cl.** **06-04**

FIG. 3 is a top view thereof;

[52] **U.S. Cl.** **D6/441**

FIG. 4 is a front elevational view thereof;

[58] **Field of Search** D6/432-448; 312/204, 312/207

FIG. 5 is an enlarged partial perspective lower right view; and,

[56] **References Cited**

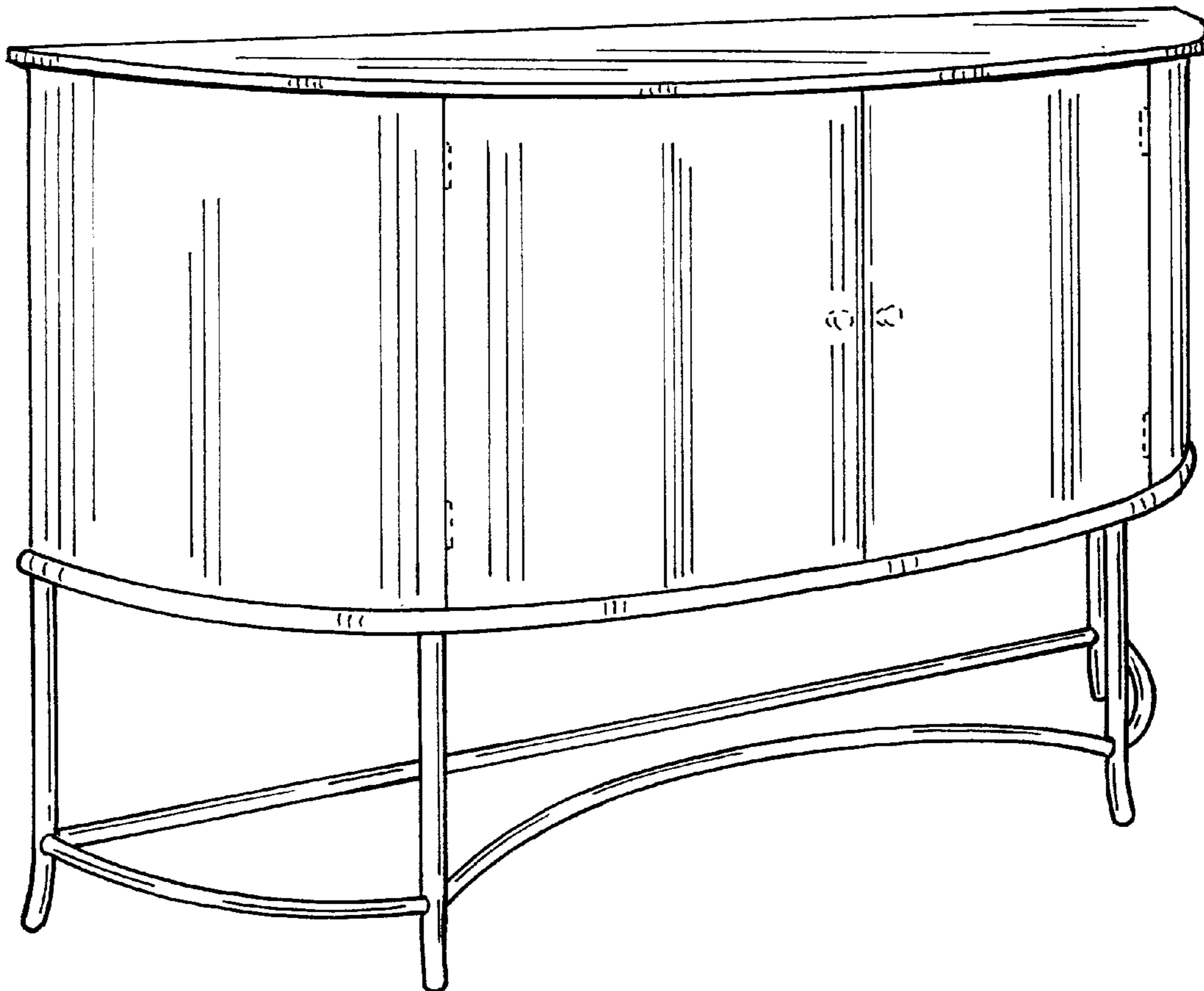
FIG. 6 is an enlarged partial perspective upper right view.

U.S. PATENT DOCUMENTS

The bottom and rear views of the design are not shown and form no part of the claimed design. The dashed lines are for environmental elements only and form no part of the claimed design.

- D. 60,965 5/1922 Schoeck D6/441
- D. 86,571 3/1932 Hutton D6/441
- D. 157,362 2/1950 Francis D6/441
- D. 328,206 7/1992 Lewis D6/441

1 Claim, 3 Drawing Sheets



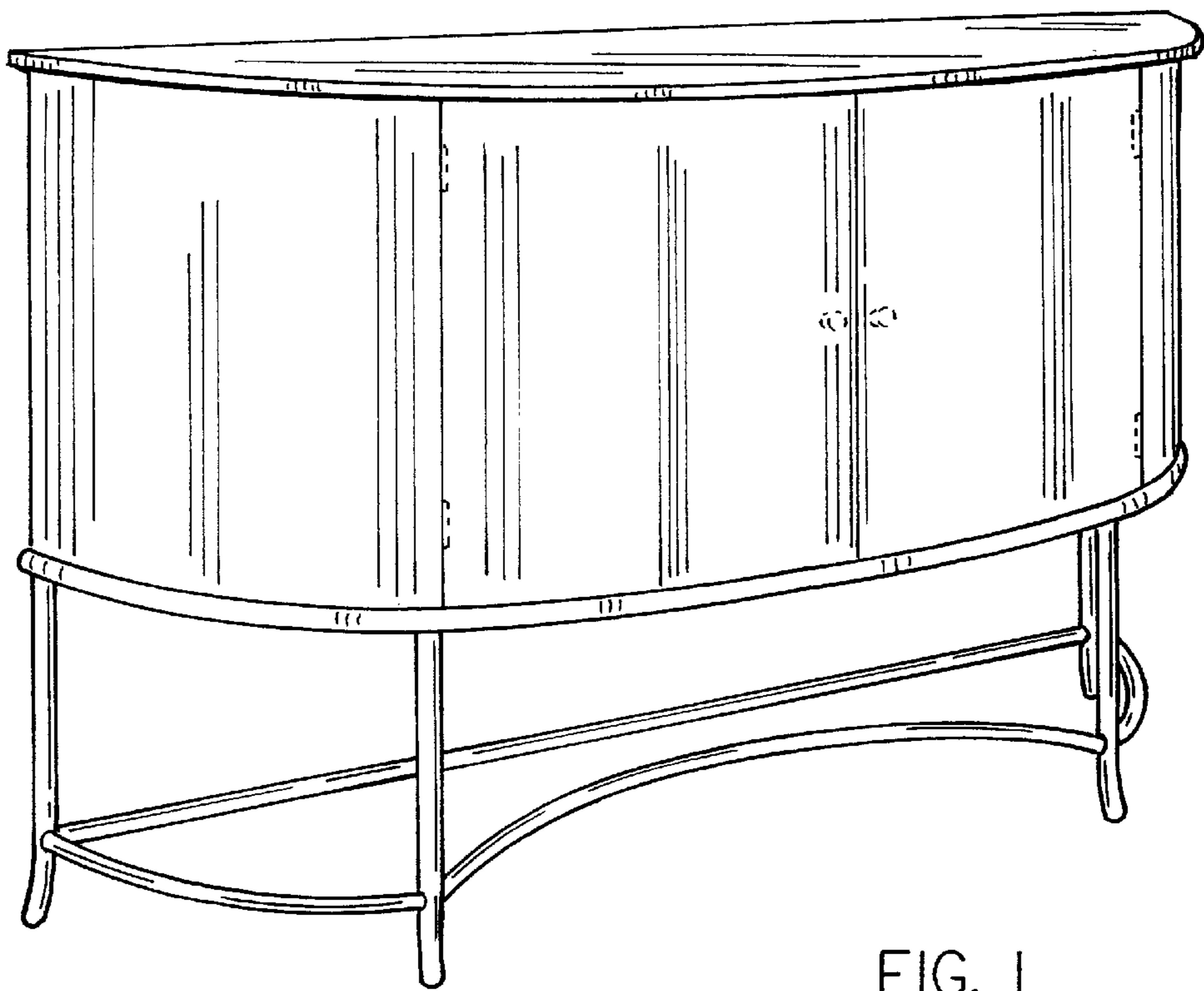
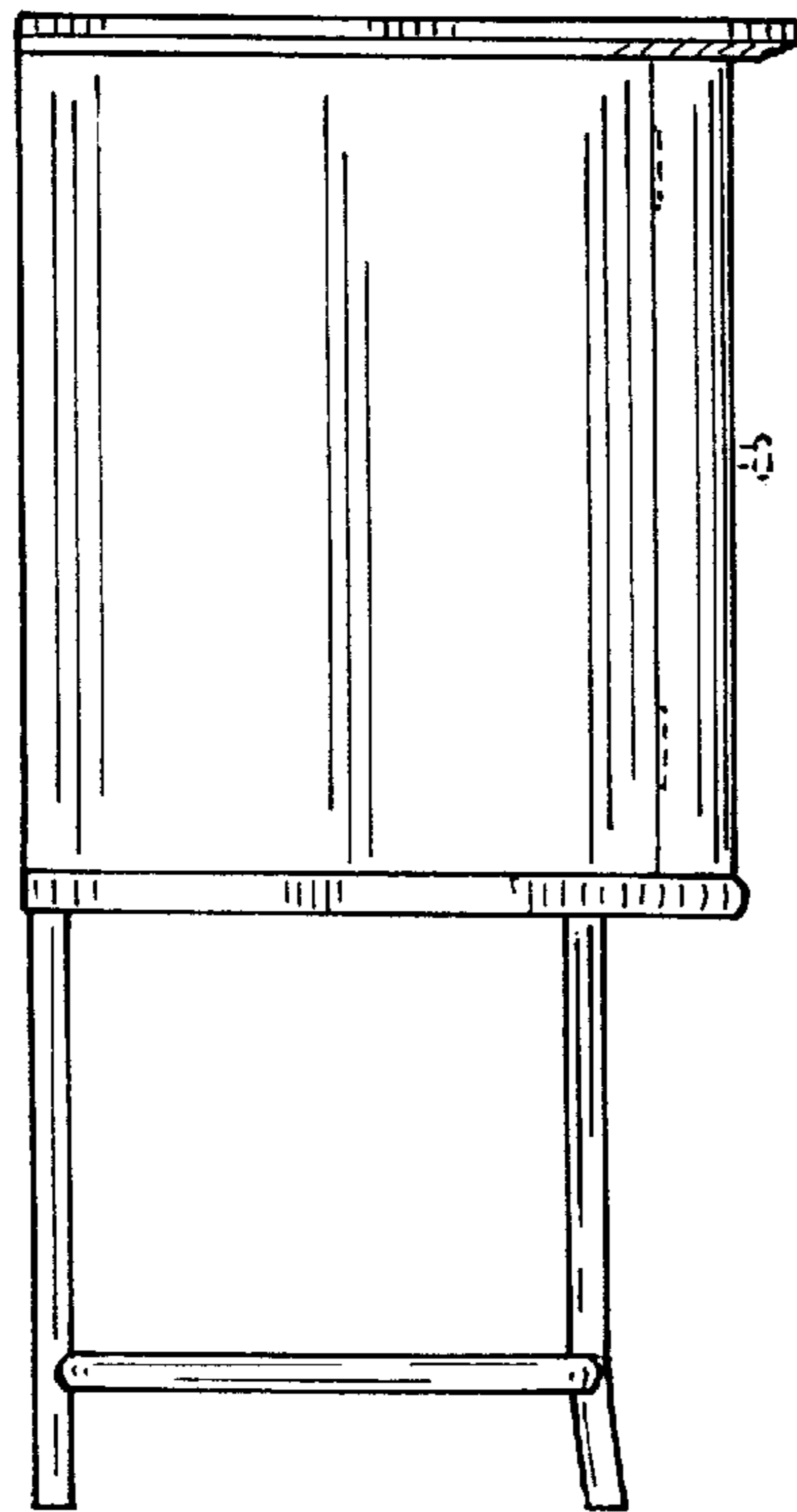


FIG. 1

FIG. 2



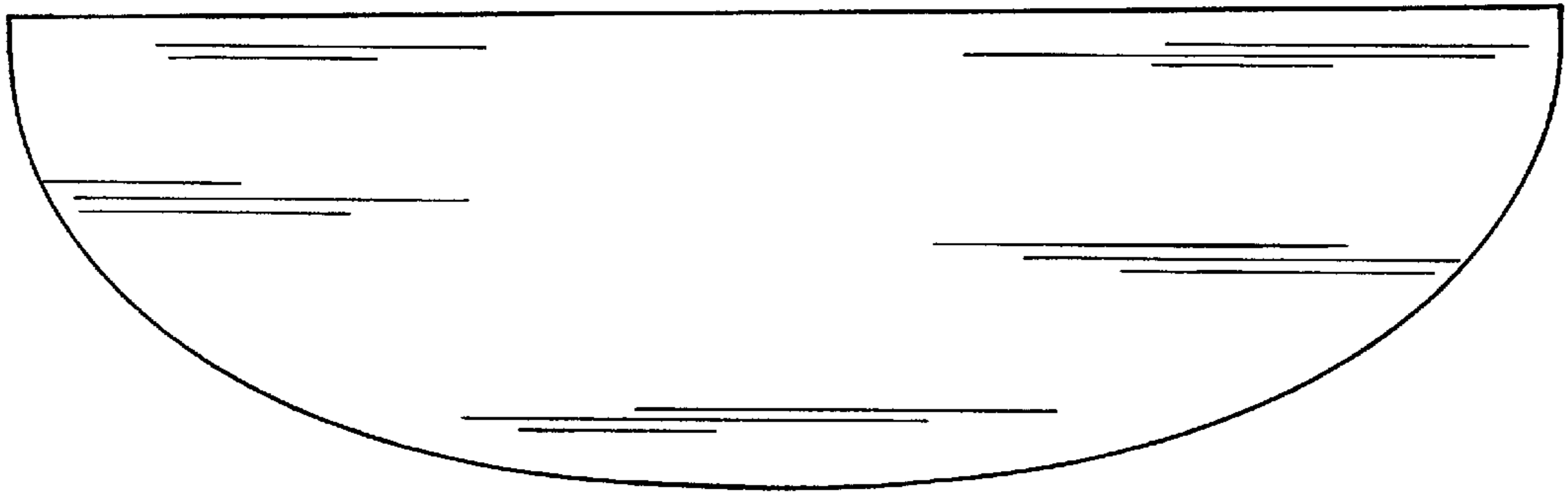
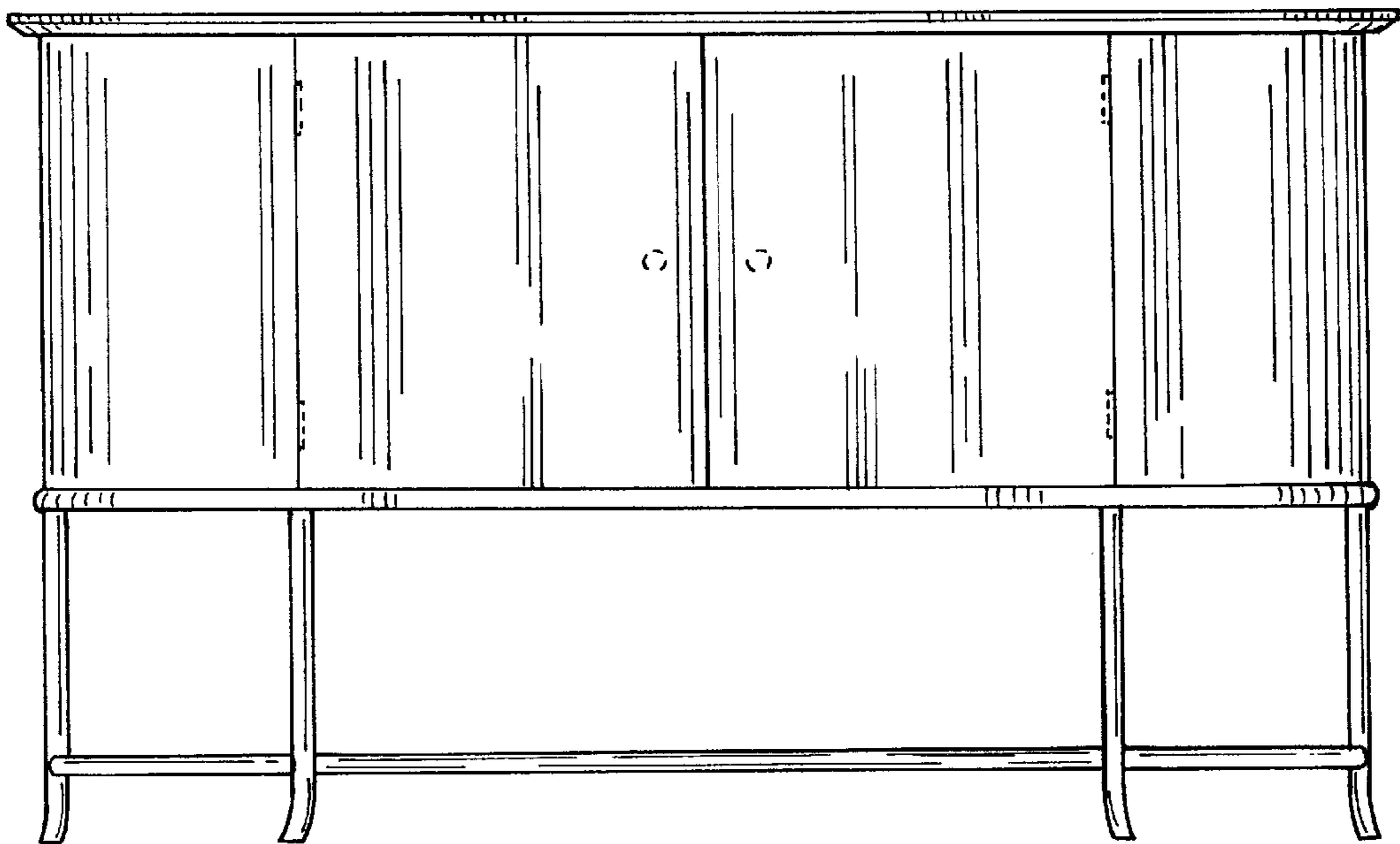


FIG. 3

FIG. 4



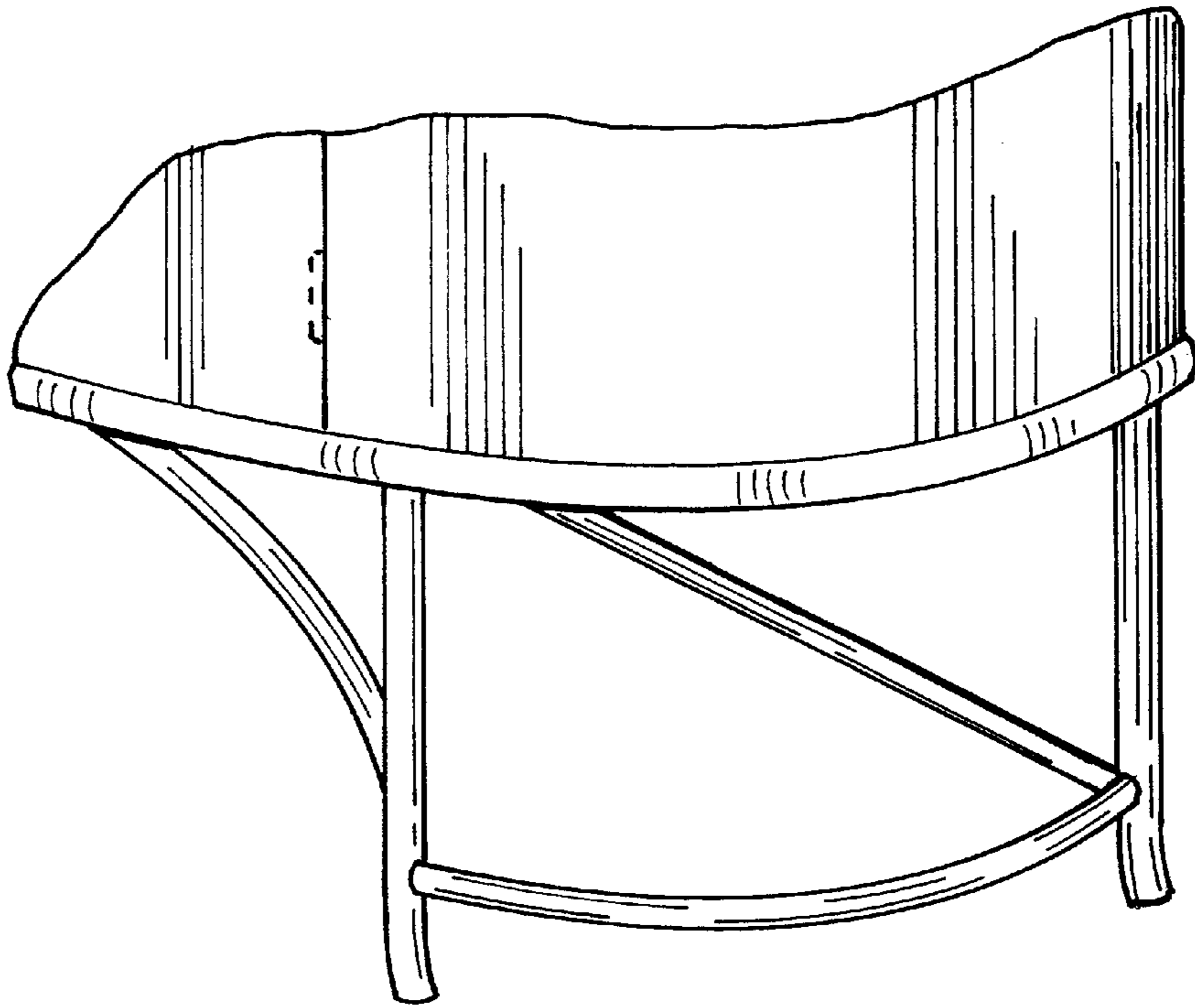


FIG. 5

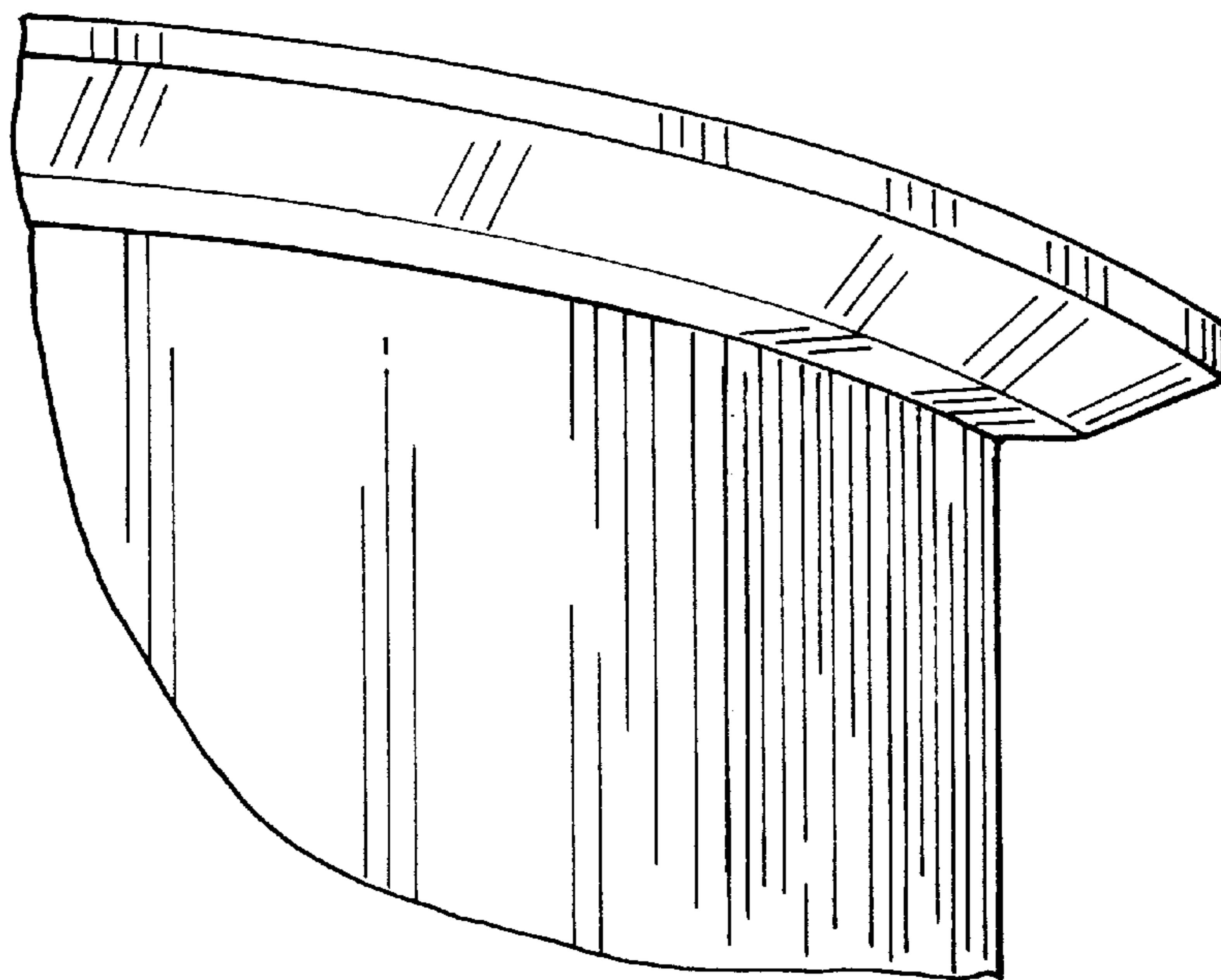


FIG. 6