



US00D417344S

United States Patent [19] van Rhienen

[11] Patent Number: Des. 417,344

[45] Date of Patent: ** Dec. 7, 1999

[54] DINING CHAIR WITH SQUARE BACK

[75] Inventor: **Alphons van Rhienen**, Schoten, Belgium

[73] Assignee: **Euro United Corporation**, Oakville, Canada

[**] Term: **14 Years**

[21] Appl. No.: **29/104,462**

[22] Filed: **May 5, 1999**

[30] Foreign Application Priority Data

Mar. 2, 1999 [CA] Canada 1999-0572

[51] LOC (6) Cl. **06-01**

[52] U.S. Cl. **D6/369; D6/379**

[58] Field of Search D6/334, 369, 370, D6/374, 375, 376, 379, 380, 500, 501, 502; 297/239, 445.1, 446.1, 452.64, DIG. 2

[56] References Cited

U.S. PATENT DOCUMENTS

- D. 287,673 1/1987 Verschuren D6/379
- D. 311,098 10/1990 Lee et al. .
- D. 336,174 6/1993 Lamalle D6/379
- D. 336,382 6/1993 Hubert D6/370

- D. 338,115 8/1993 Grosfillex D6/370
- D. 339,007 9/1993 Grosfillex D6/379
- D. 341,953 12/1993 Bemis .
- D. 368,382 4/1996 Grosfillex .
- D. 368,385 4/1996 Grosfillex .
- D. 373,478 9/1996 Grosfillex D6/369
- D. 380,620 7/1997 Niemiec D6/369
- D. 398,456 9/1998 Grosfillex D6/379
- D. 403,875 1/1999 Grosfillex D6/379
- D. 403,876 1/1999 Grosfillex D6/379
- D. 409,012 5/1999 Grosfillex D6/370

Primary Examiner—Gary D. Watson
Attorney, Agent, or Firm—Barrigar & Moss

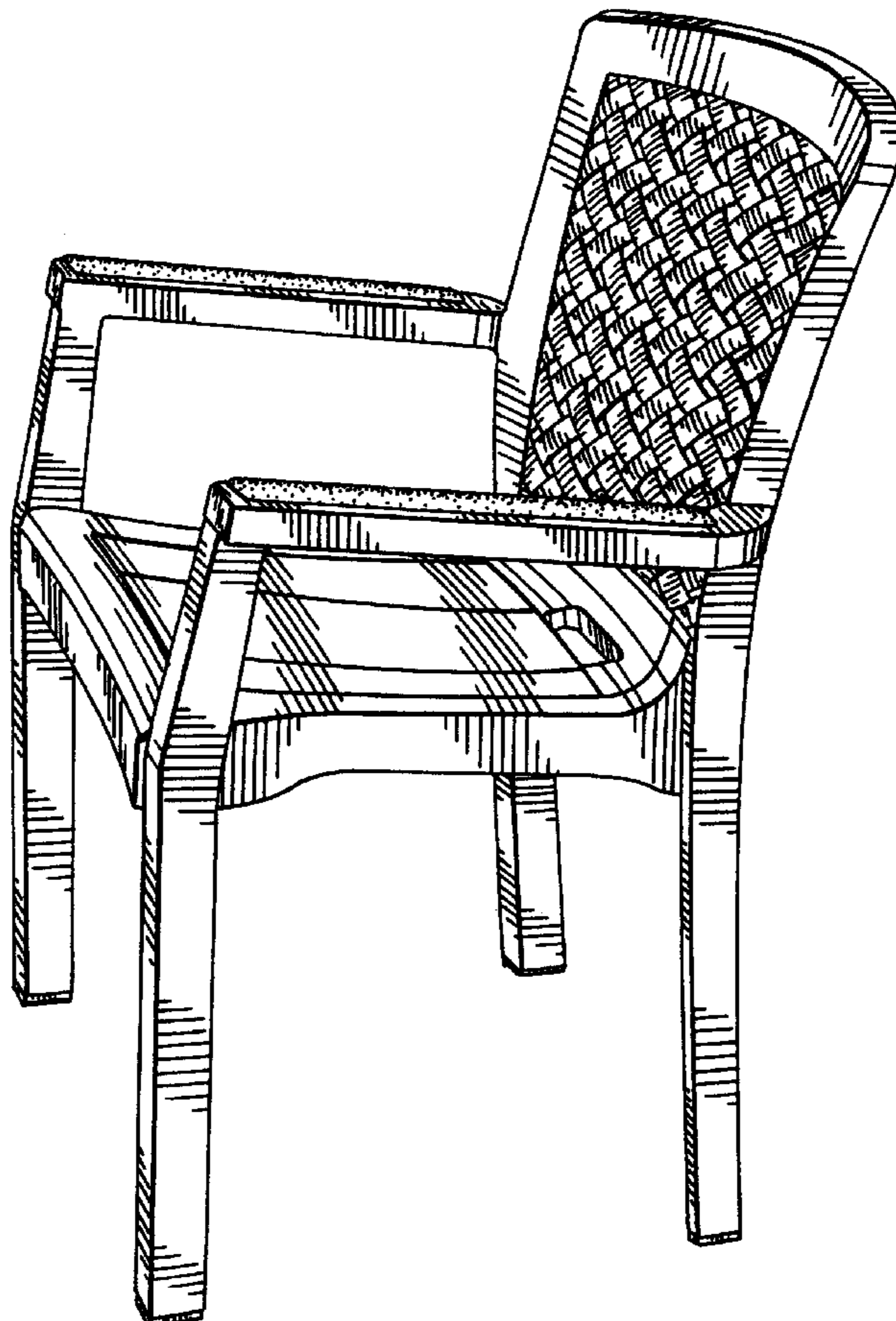
[57] CLAIM

The ornamental design for a dining chair with square back, as shown and described.

DESCRIPTION

FIG. 1 is a perspective view of the design taken from above and showing the right side thereof; FIG. 2 is a front view of the design; FIG. 3 is a back view of the design; FIG. 4 is a right side view of the design, the left side view being the mirror image of the right side; and, FIG. 5 is a top view of the design.

1 Claim, 3 Drawing Sheets



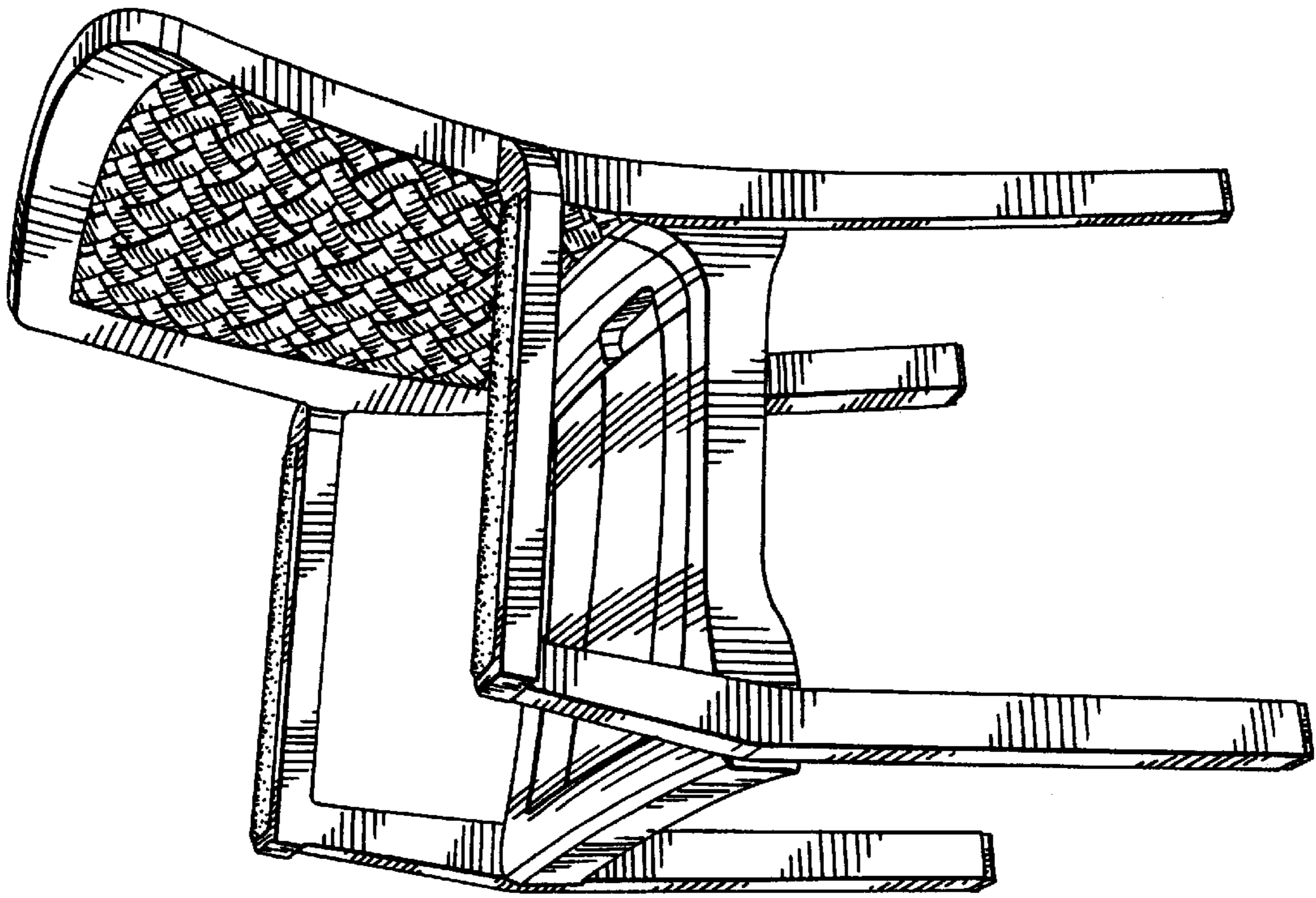


FIG. 1

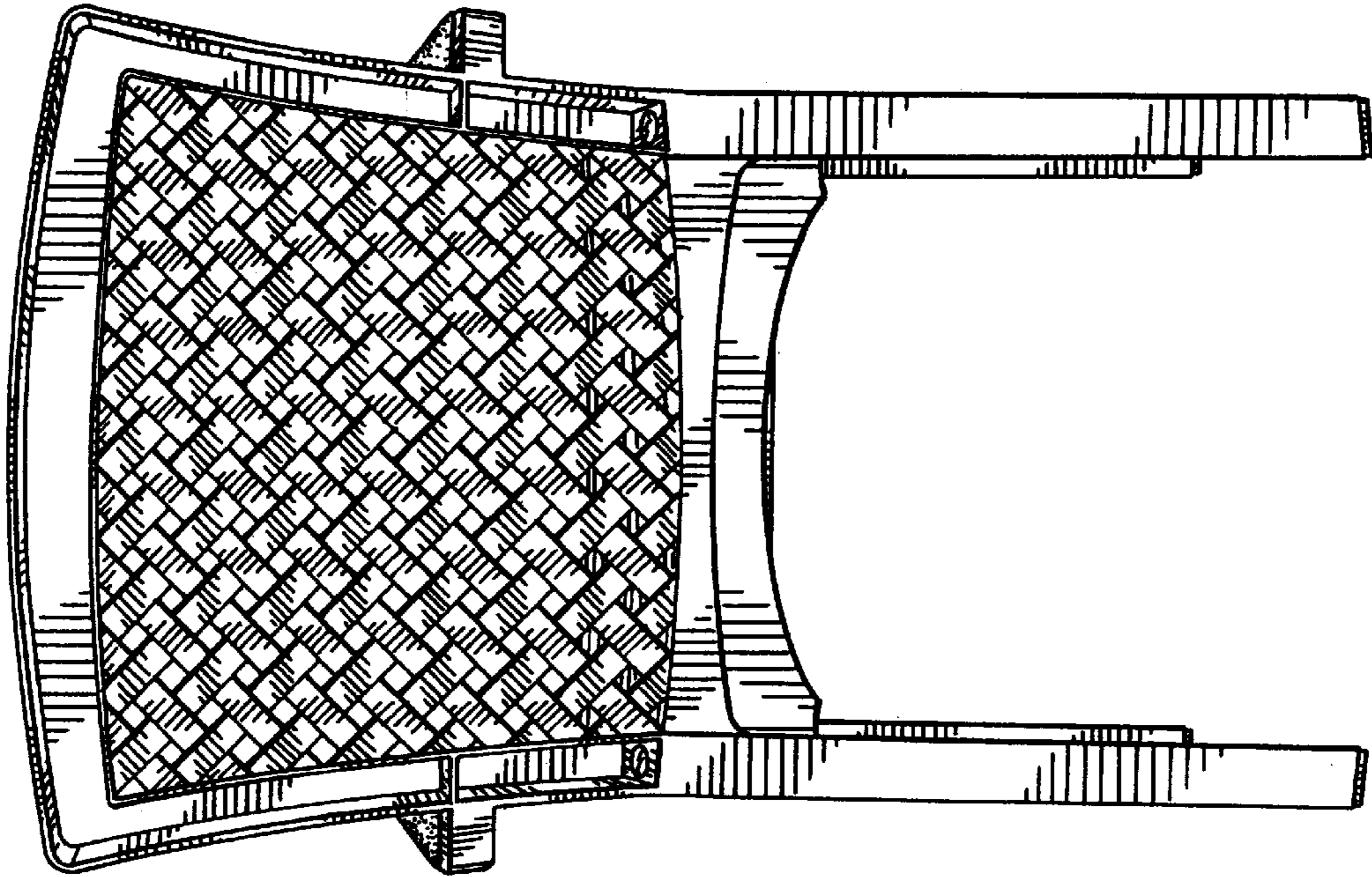


FIG. 3

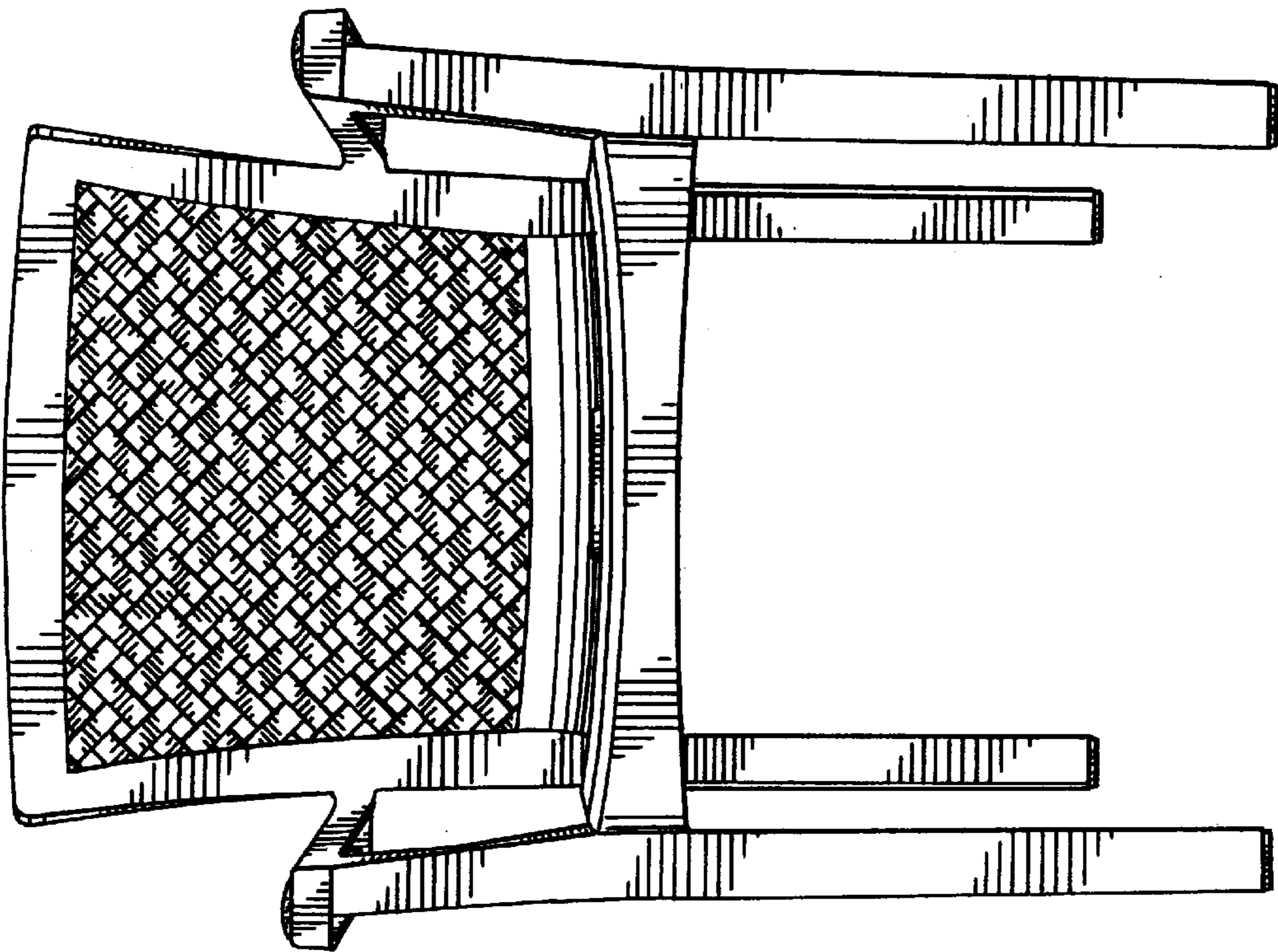


FIG. 2

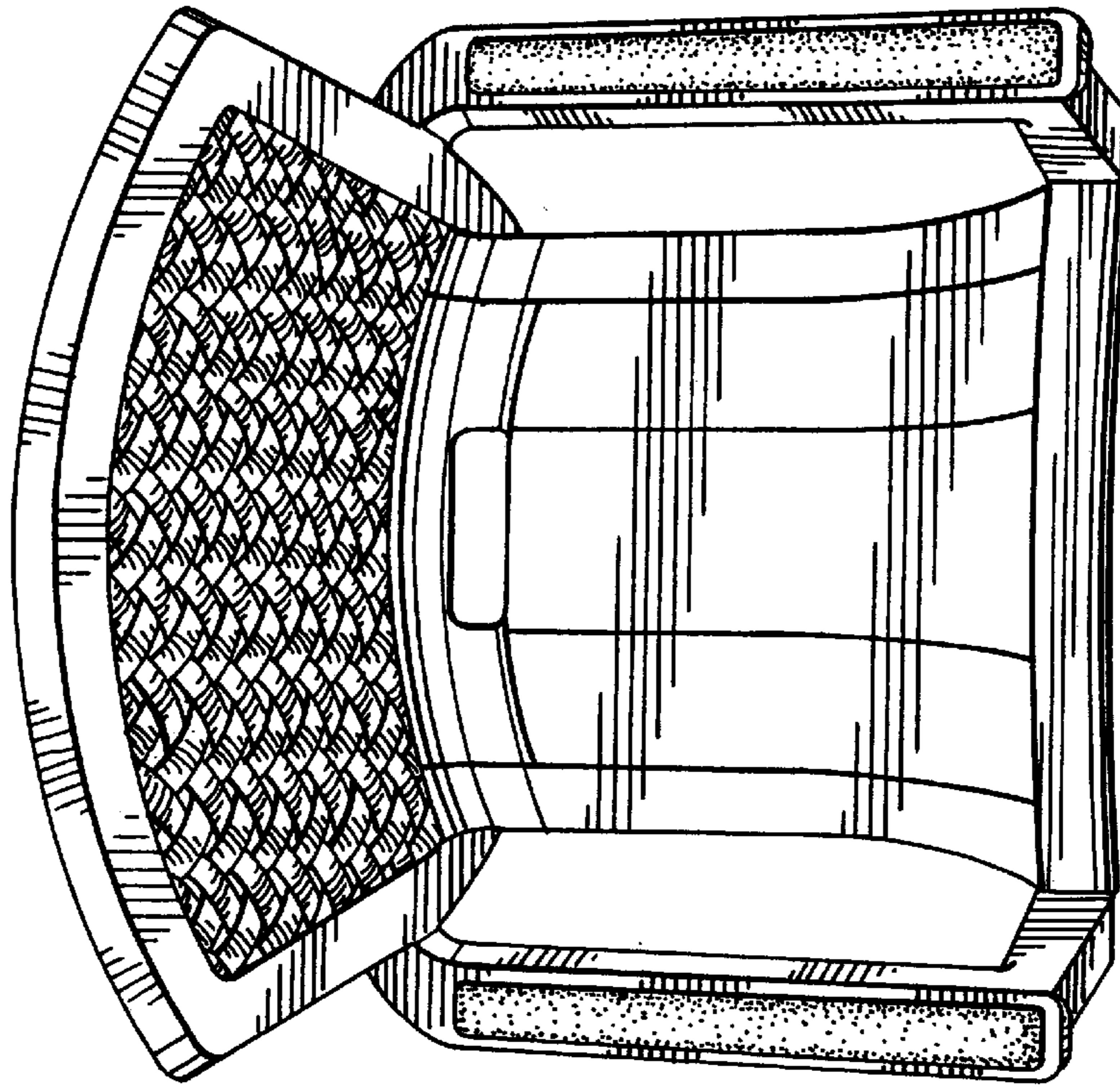


FIG. 5

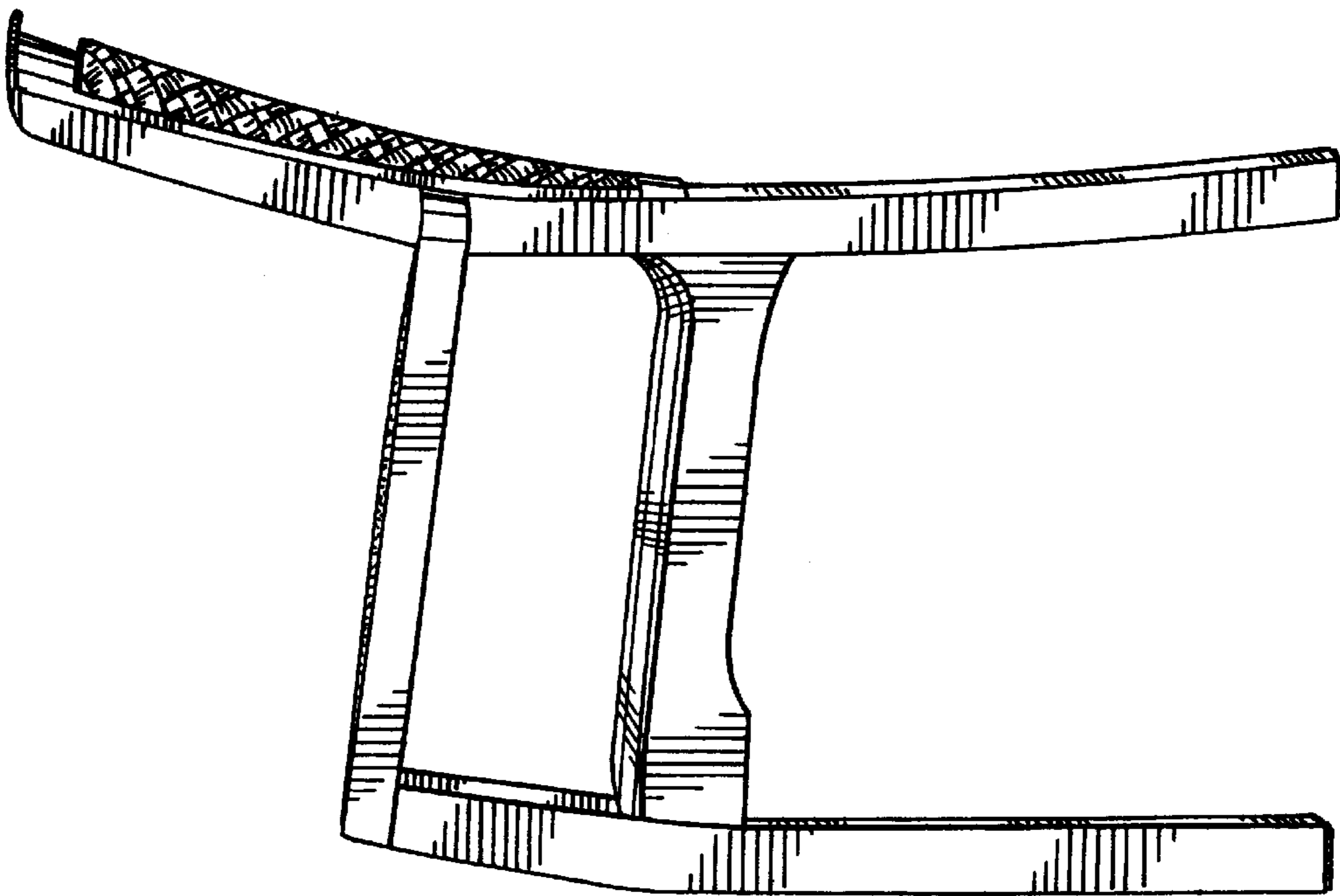


FIG. 4