



US00D417341S

United States Patent [19]
Hampshire

[11] **Patent Number: Des. 417,341**

[45] **Date of Patent: ** Dec. 7, 1999**

[54] **TOWEL AND ROBE HOOK**

[76] Inventor: **James F. Hampshire**, 8252 Darrow Rd.
Suite F, Twinsburg, Ohio 44087

[**] Term: **14 Years**

[21] Appl. No.: **29/096,273**

[22] Filed: **Nov. 9, 1998**

[51] **LOC (6) Cl.** **07-07**

[52] **U.S. Cl.** **D6/323; D6/323**

[58] **Field of Search** D6/546-550, 315,
D6/320, 323, 567; D8/367; 211/13.1, 86,
87; 248/304, 309.1, 309.2

[56] **References Cited**

U.S. PATENT DOCUMENTS

- D. 144,010 2/1946 Van Doren D6/546 X
- D. 289,255 4/1987 Chasen D8/367
- D. 330,289 10/1992 Sharpe D6/323

- D. 386,389 11/1997 Hofman D8/367
- D. 393,412 4/1998 Bries et al. D8/367

Primary Examiner—Brian N. Vinson
Attorney, Agent, or Firm—Oldham & Oldham Co., LPA

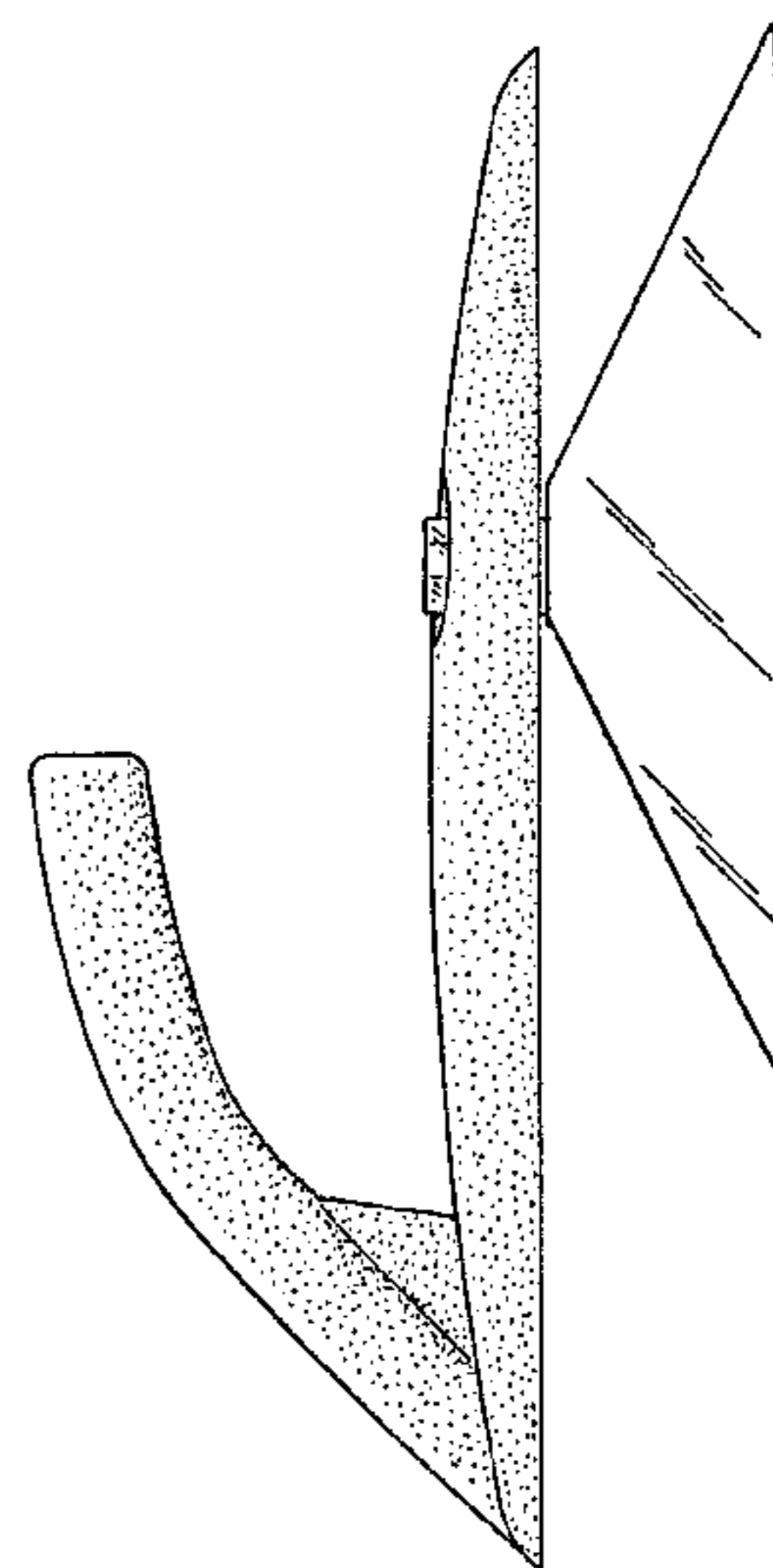
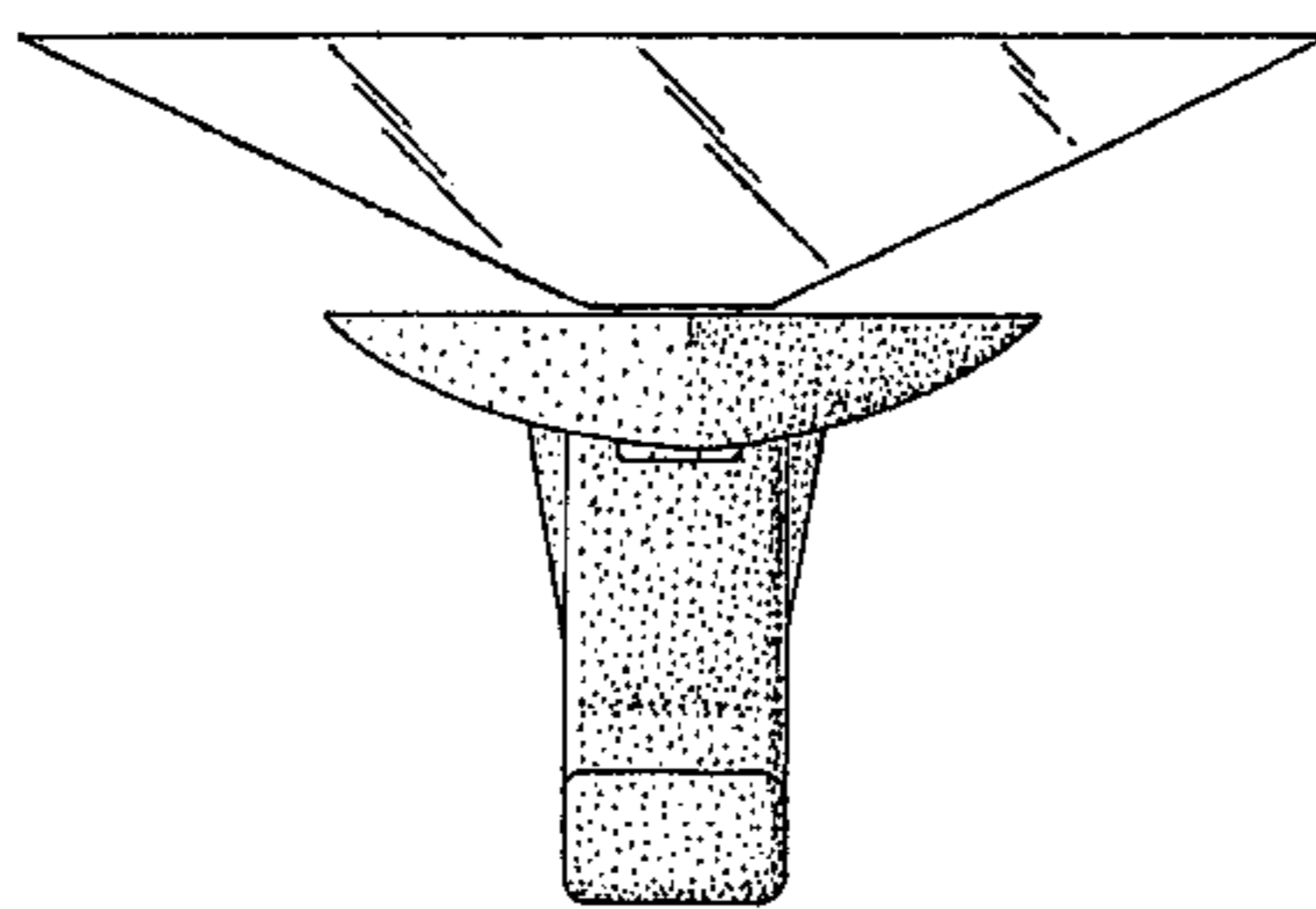
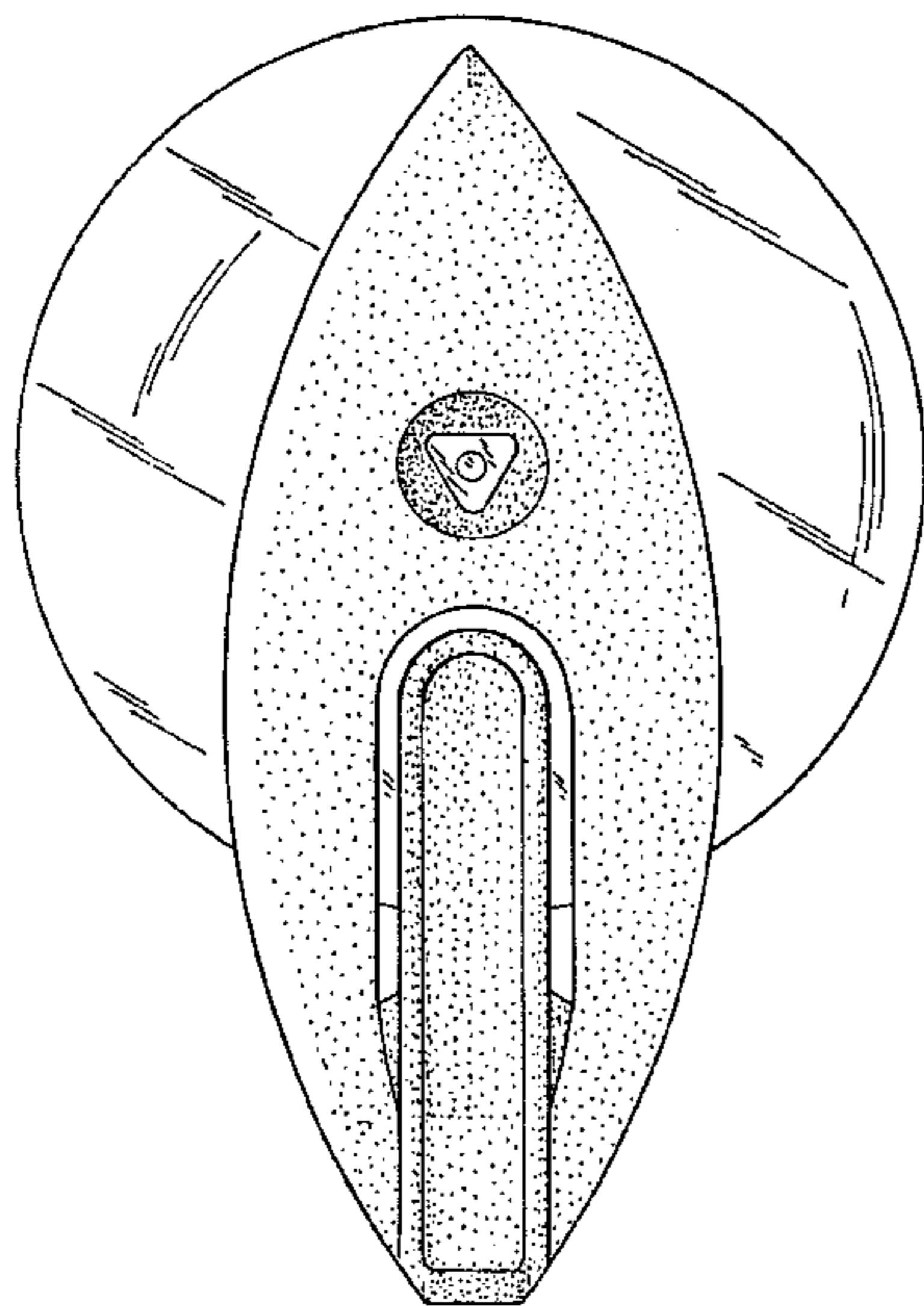
[57] **CLAIM**

The ornamental design for the “towel and robe hook”, as shown and described.

DESCRIPTION

FIG. 1 is a front elevational view of a new design of a towel and robe hook;
 FIG. 2 is a top plan view with reference to FIG. 1;
 FIG. 3 is a right side elevational view, the left side elevational view being a mirror image thereof, also with reference to FIG. 1;
 FIG. 4 is a bottom view; and,
 FIG. 5 is a rear elevational view.

1 Claim, 2 Drawing Sheets



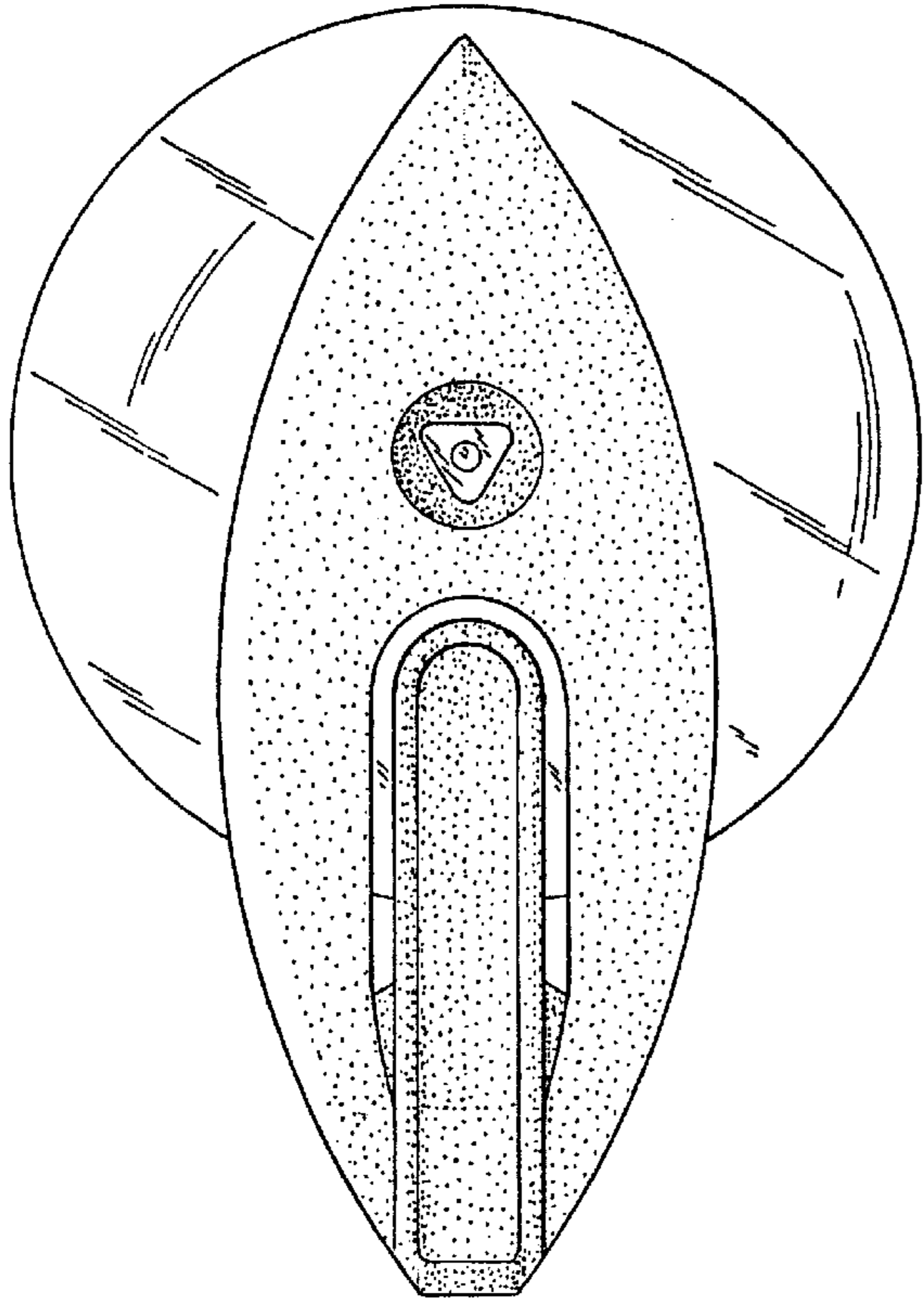


FIG. - 1

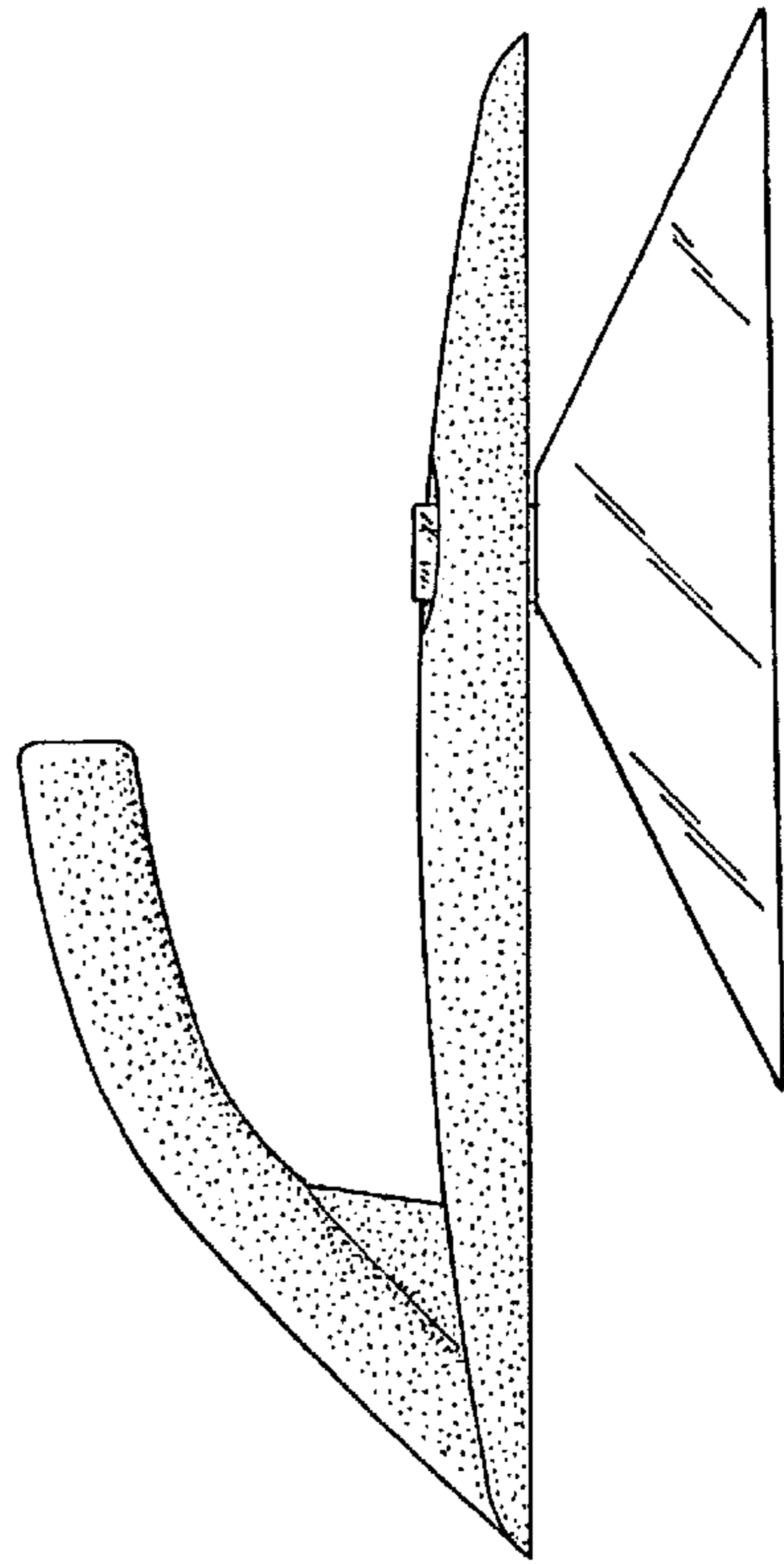


FIG. - 3

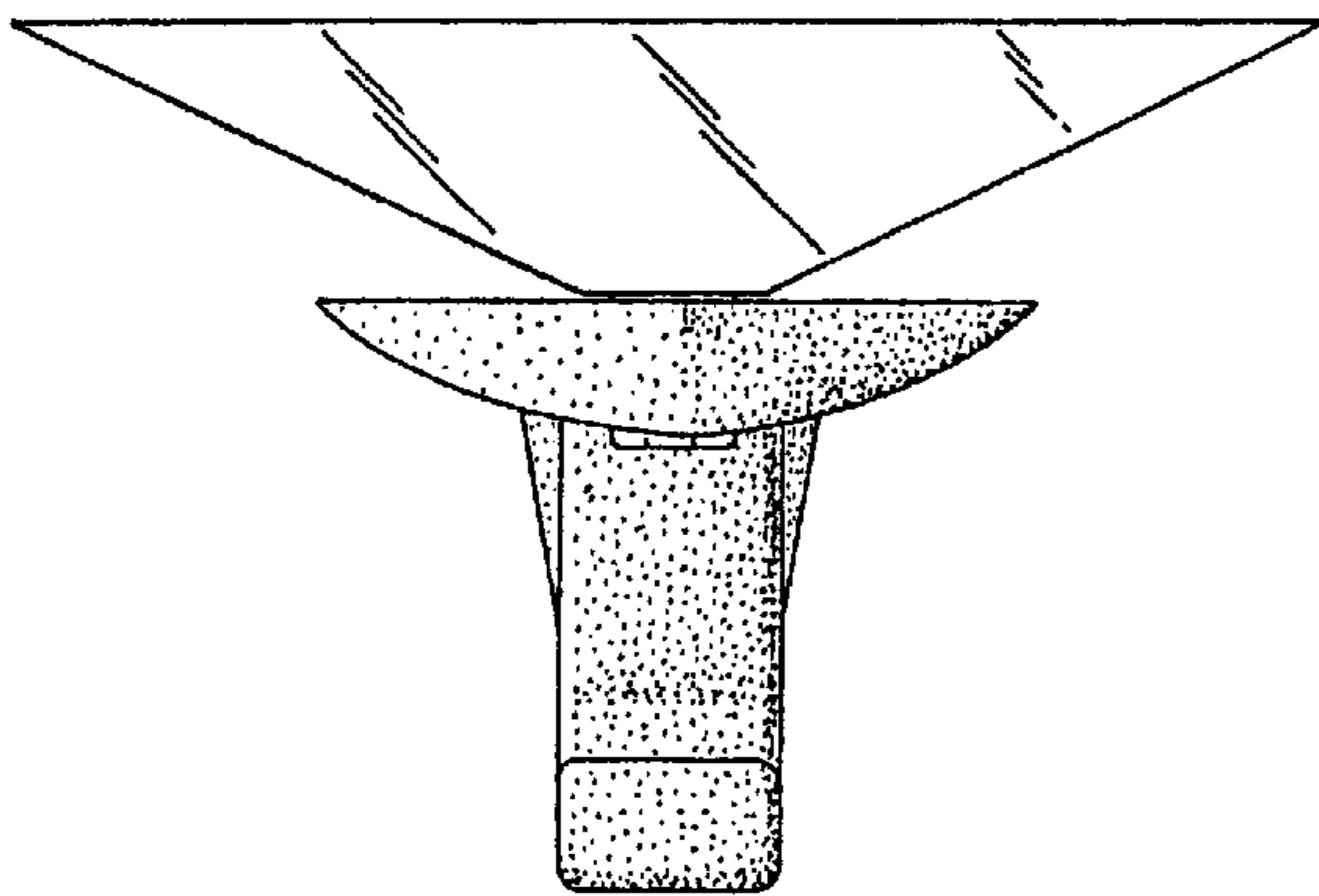


FIG. - 2

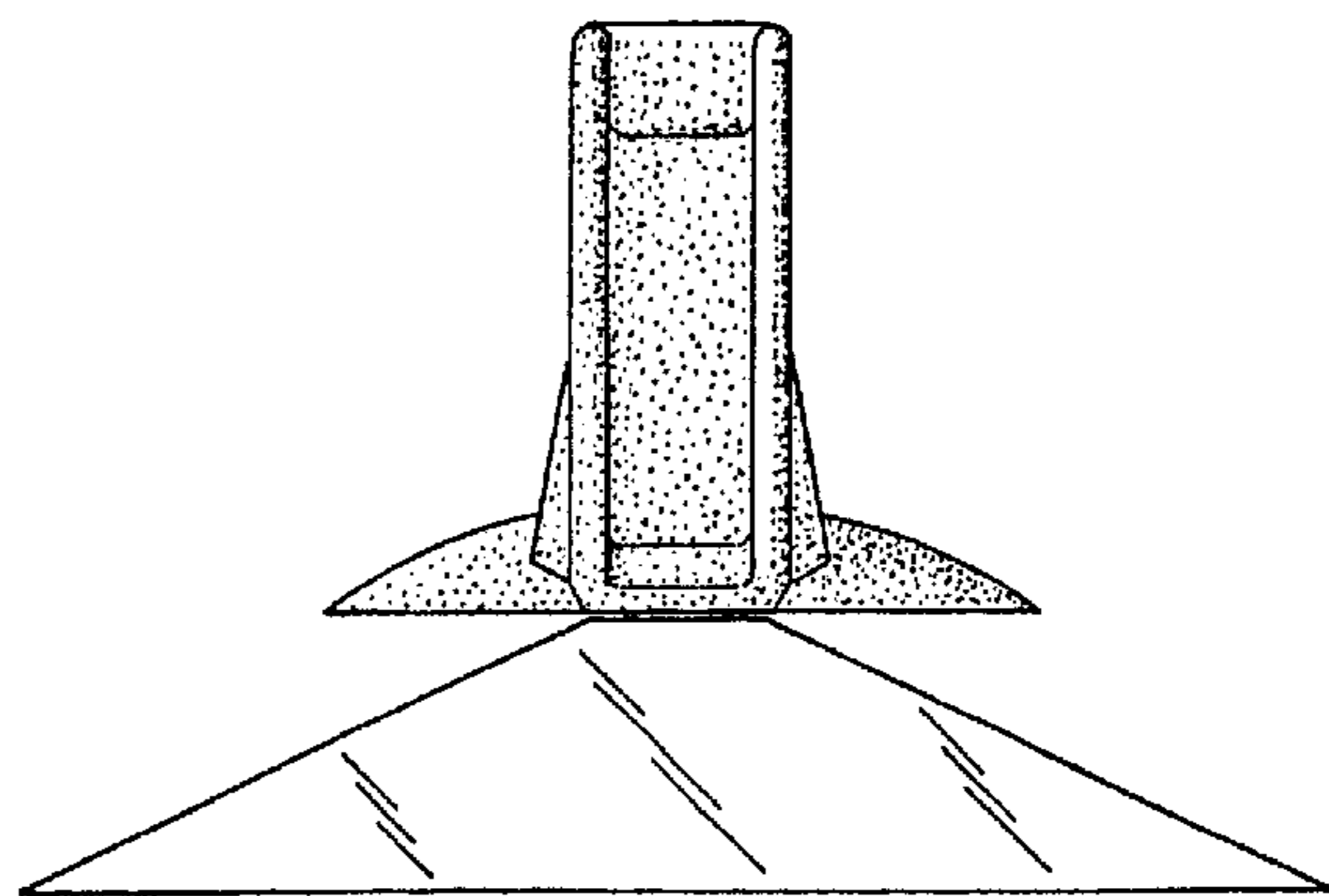


FIG. - 4

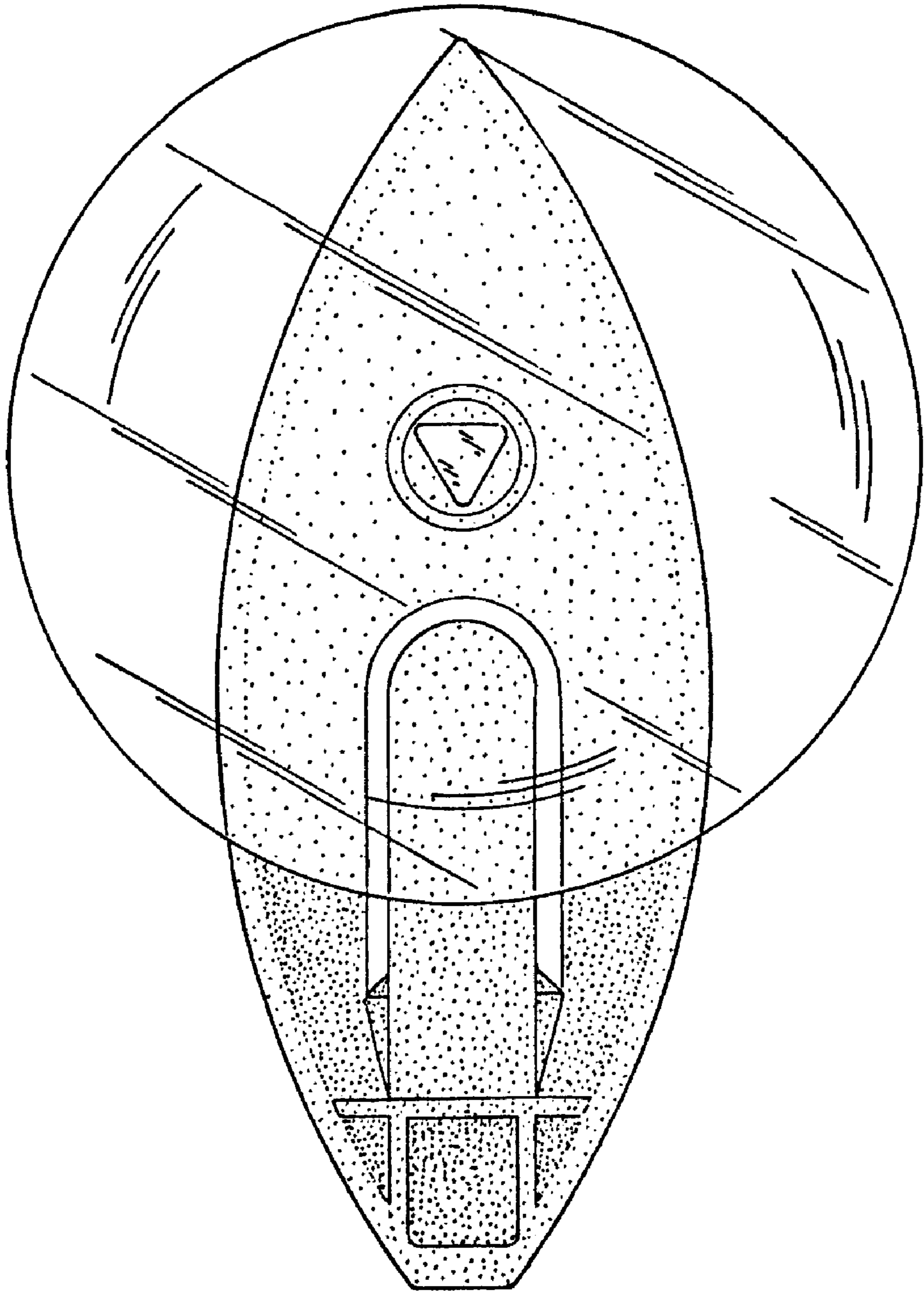


FIG. - 5