



US00D417339S

United States Patent [19] Miller

[11] **Patent Number: Des. 417,339**

[45] **Date of Patent: ** Dec. 7, 1999**

[54] **CAP FOR CANTEEN**

[75] Inventor: **D. Scott Miller**, Orlando, Fla.

[73] Assignee: **Dart Industries Inc.**, Orlando, Fla.

[**] Term: **14 Years**

[21] Appl. No.: **29/100,380**

[22] Filed: **Feb. 10, 1999**

[51] **LOC (6) Cl. 03-99**

[52] **U.S. Cl. D3/318; D3/323; D9/443; D9/446; D9/449**

[58] **Field of Search** D3/318, 202, 323; D7/602, 619-621; D9/443, 446, 453, 454, 447, 449; 206/547; 222/544, 546, 556, 558, 562, 563; 220/810, 820, 836, 837, 845, 847

[56] **References Cited**

U.S. PATENT DOCUMENTS

| | | | | |
|------------|--------|-------------------|-------|---------|
| D. 356,260 | 3/1995 | Frank | | D9/446 |
| D. 361,922 | 9/1995 | Dyk | | D9/446 |
| D. 371,485 | 7/1996 | Hickey | | D9/435 |
| D. 389,409 | 1/1998 | Tucker | | D9/454 |
| D. 404,646 | 1/1999 | Black, Sr. et al. | | D9/446 |
| 2,128,752 | 8/1938 | Lentine | | 222/563 |

| | | | | |
|-----------|---------|-----------------|-------|---------|
| 2,618,800 | 11/1952 | Raab | | 222/546 |
| 4,844,250 | 7/1989 | Holoubek et al. | | D9/435 |
| 4,852,762 | 8/1989 | Chou-Sheng | | D3/202 |
| 5,535,889 | 7/1996 | Lin | | 206/547 |
| 5,752,604 | 5/1998 | Hayman | | 206/534 |

Primary Examiner—Stella Reid
Assistant Examiner—Robert A. Delehanty
Attorney, Agent, or Firm—Taylor J. Ross

[57] **CLAIM**

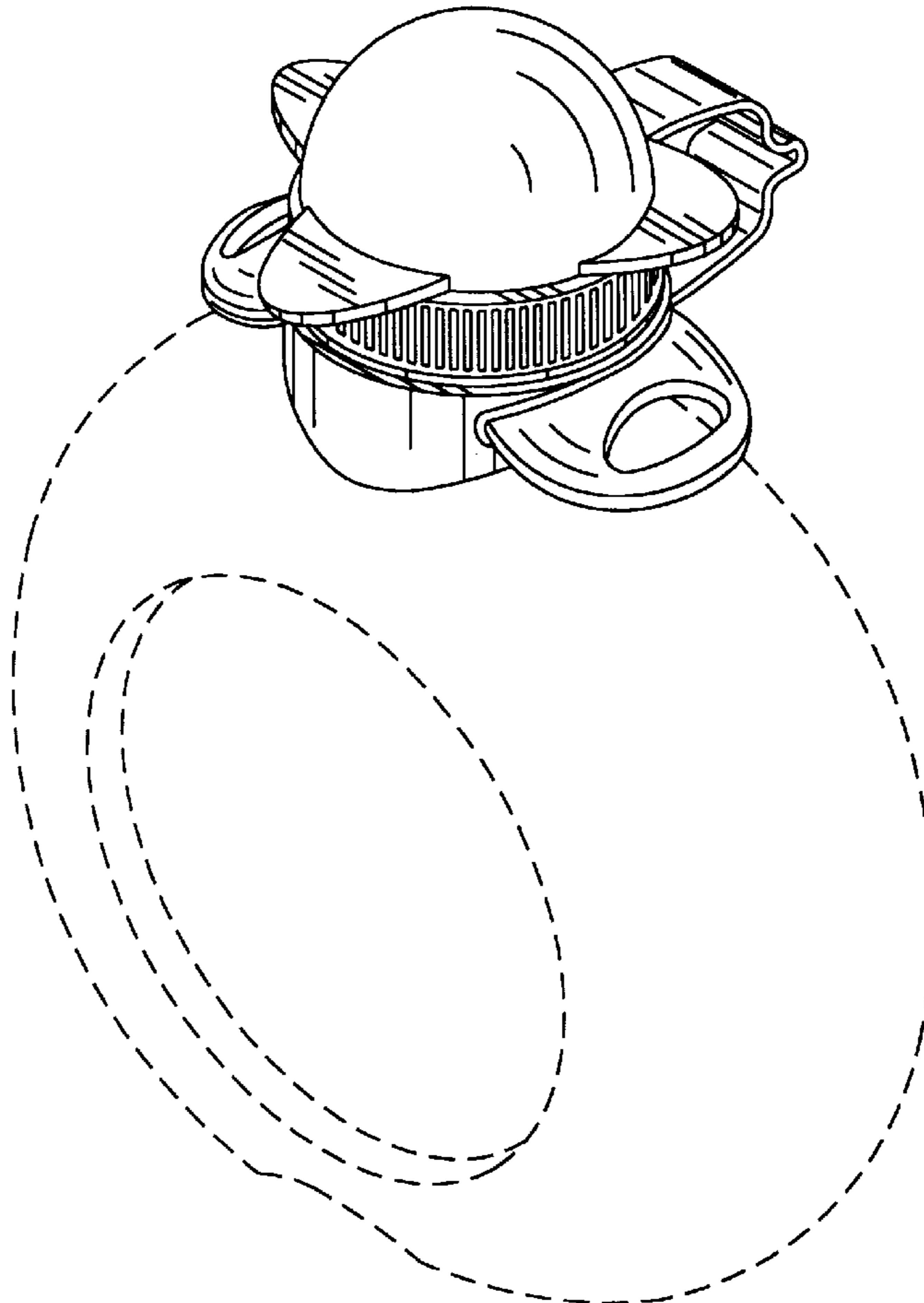
The ornamental design for a cap for canteen, as shown and described.

DESCRIPTION

FIG. 1 is a top, side and front perspective view of a cap for canteen showing the new design;
FIG. 2 is a front elevation view thereof;
FIG. 3 is a rear elevation view thereof;
FIG. 4 is a right side elevation view thereof;
FIG. 5 is a left side elevation view thereof;
FIG. 6 is a top plan view thereof; and,
FIG. 7 is a bottom plan view thereof of the portion visible, i.e., not obscured, during use.

In each of the above figures the broken line showing is for illustrative purposes only and forms no part of the claimed design.

1 Claim, 3 Drawing Sheets



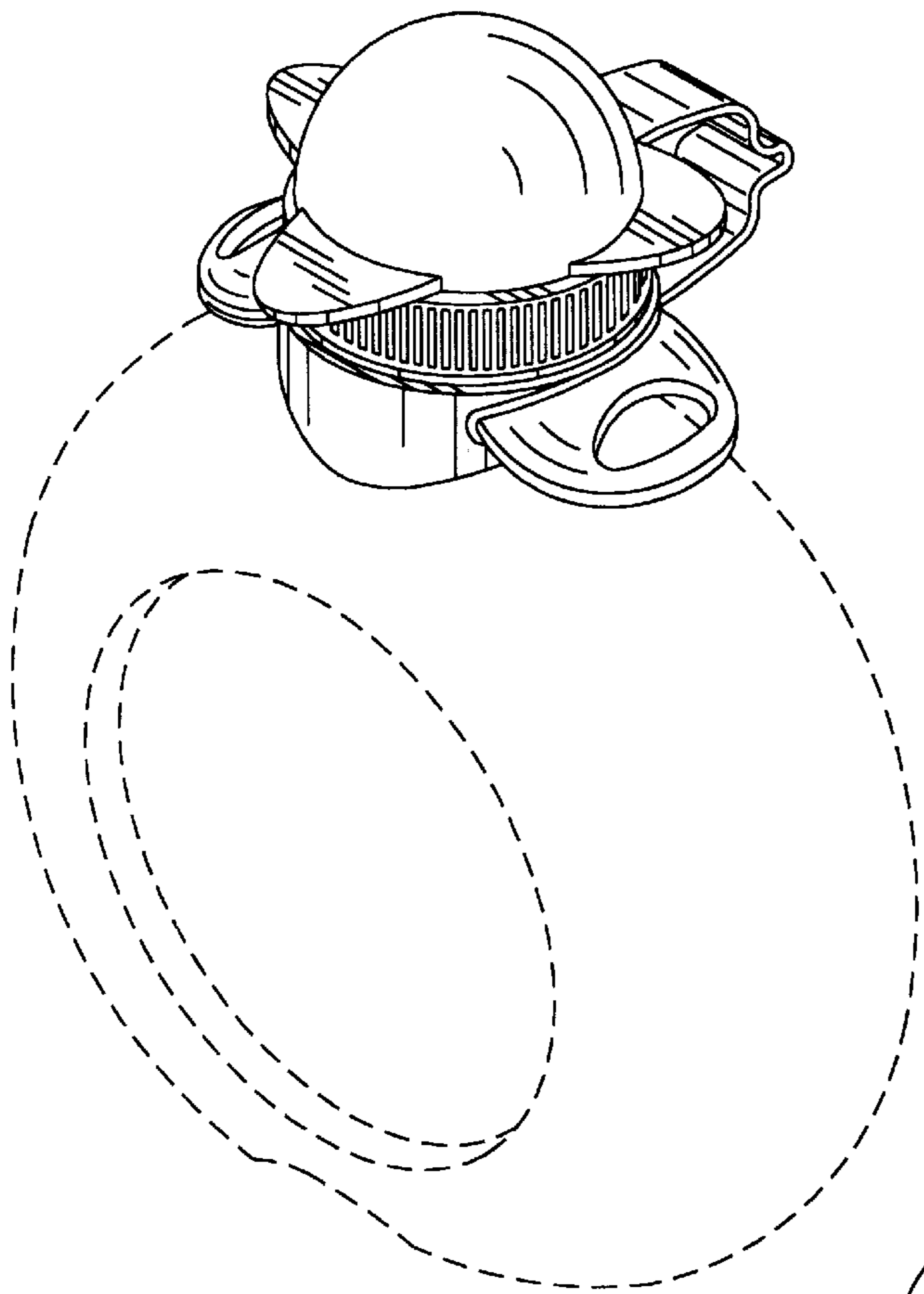


FIG. 1

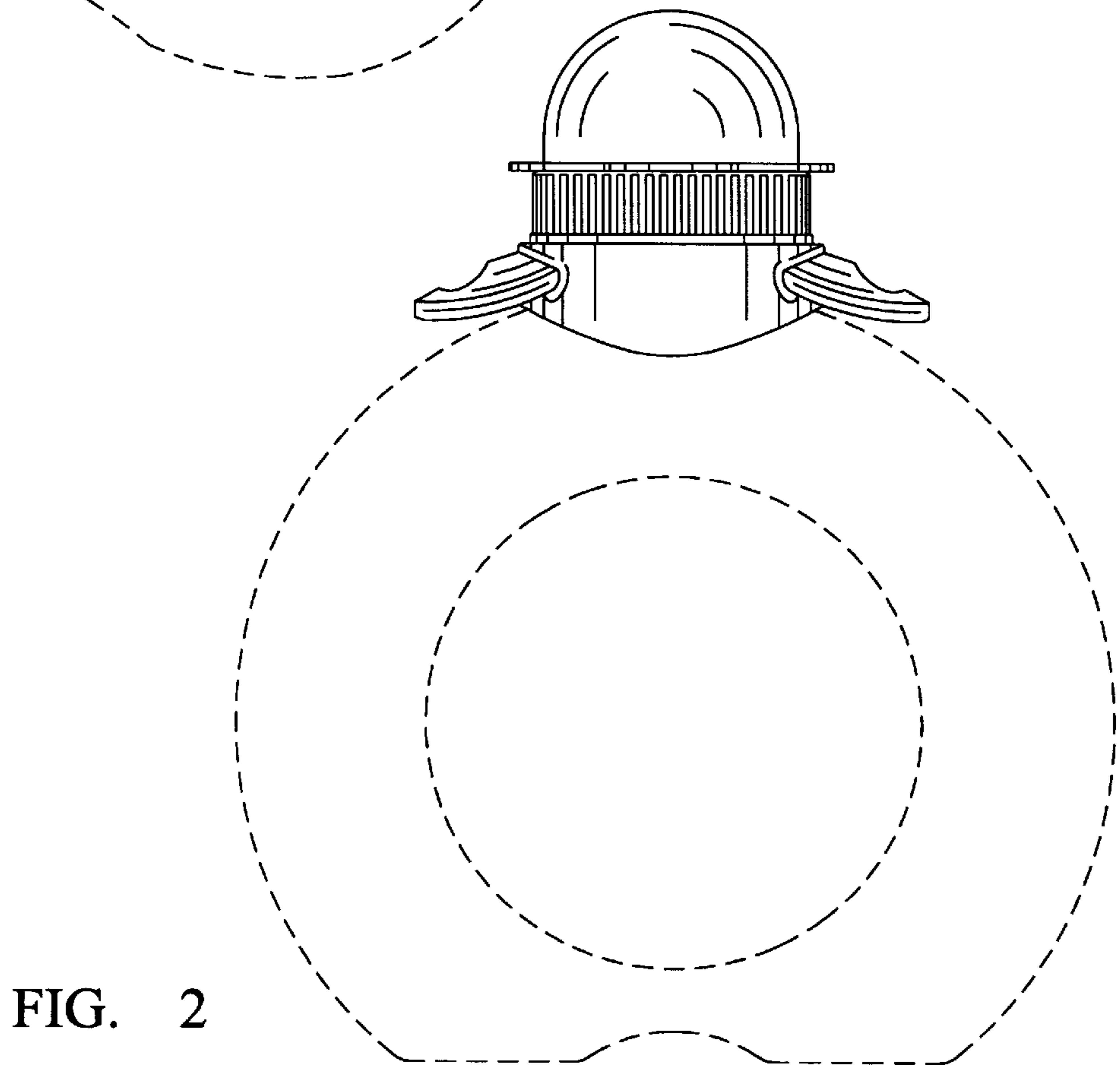


FIG. 2

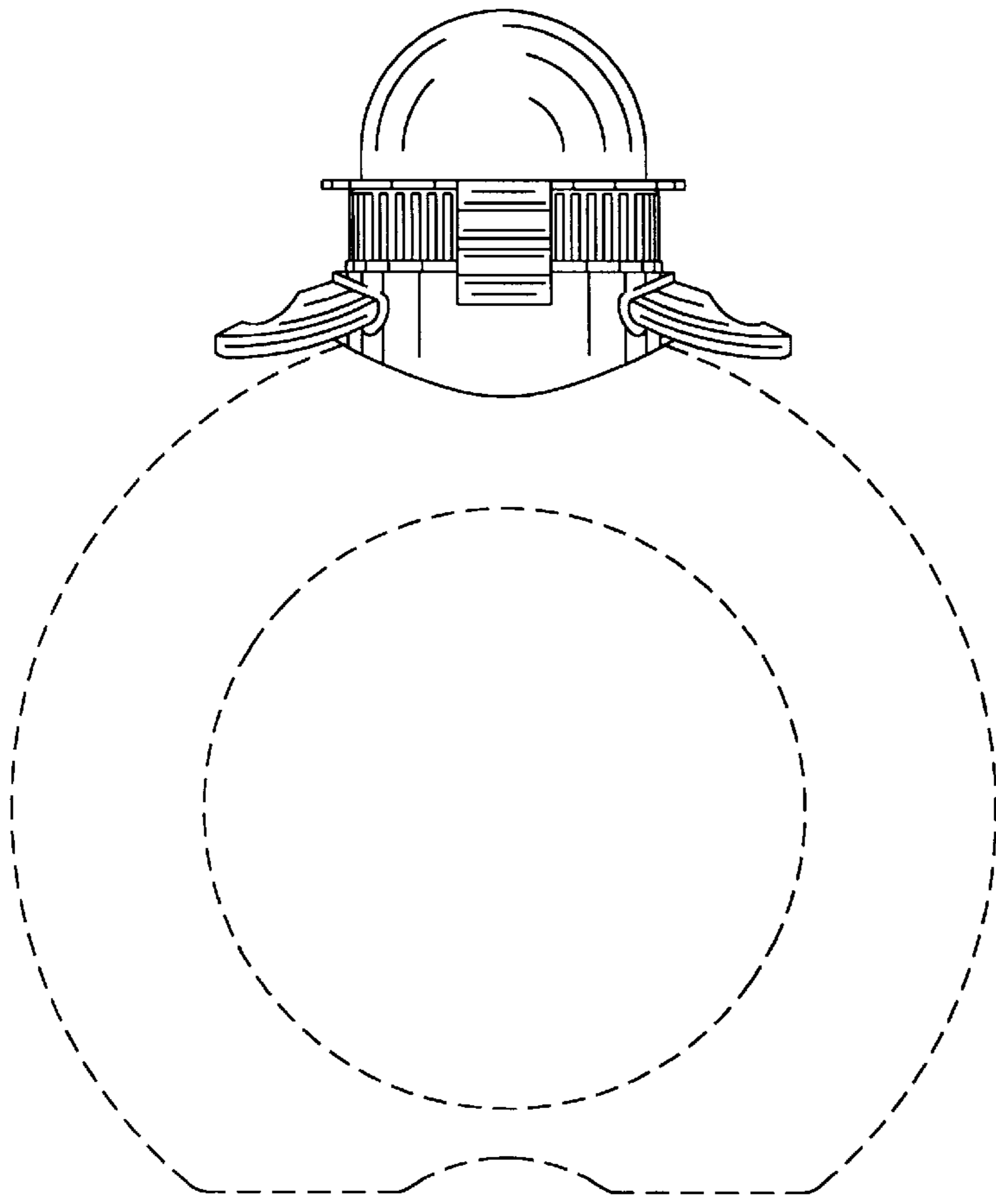


FIG. 3

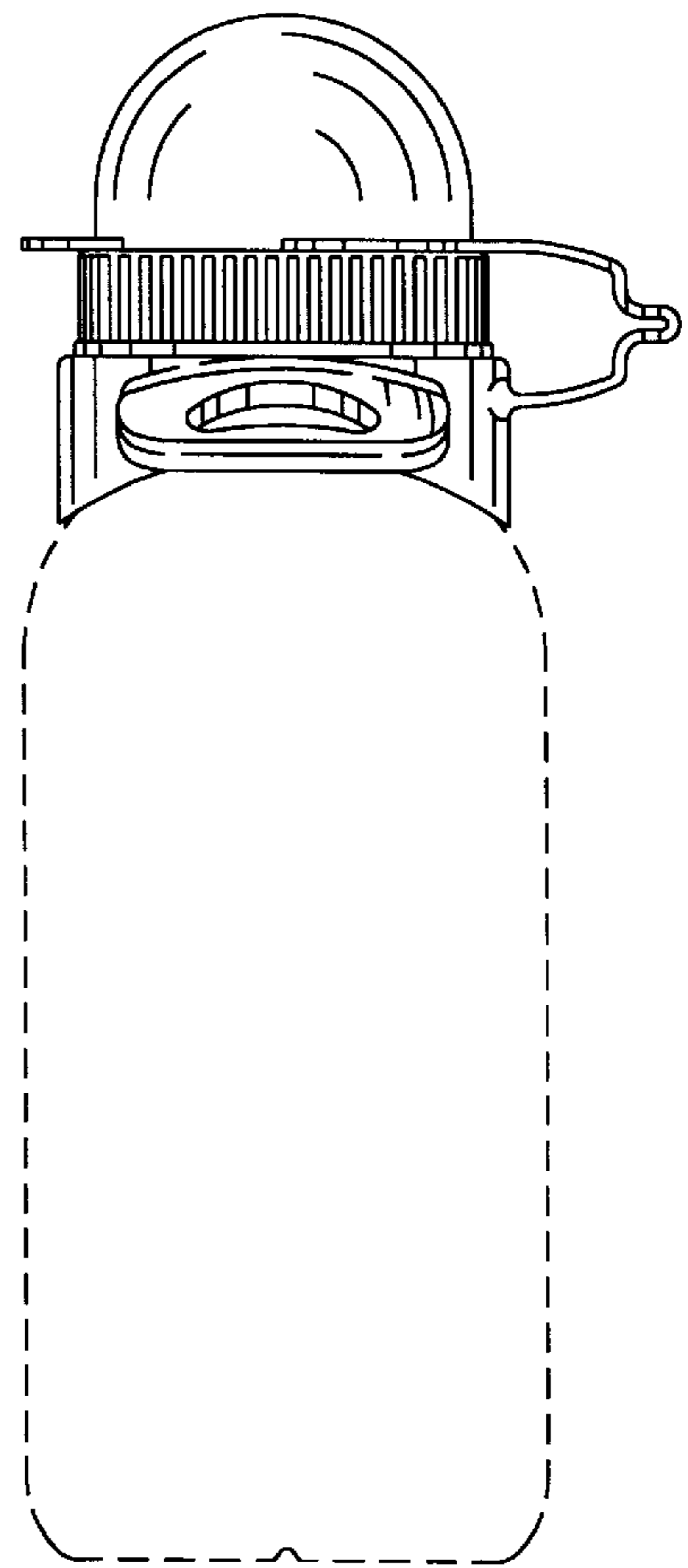


FIG. 4

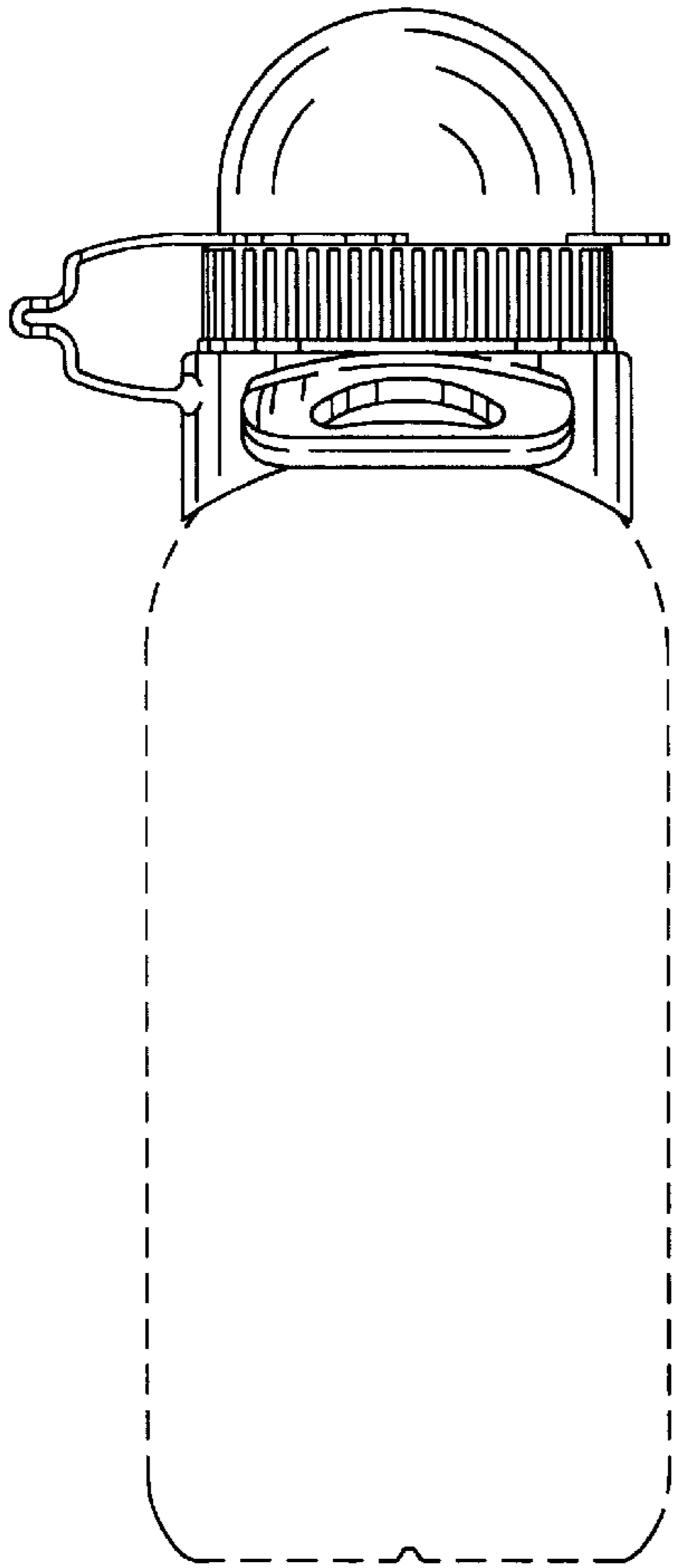


FIG. 5

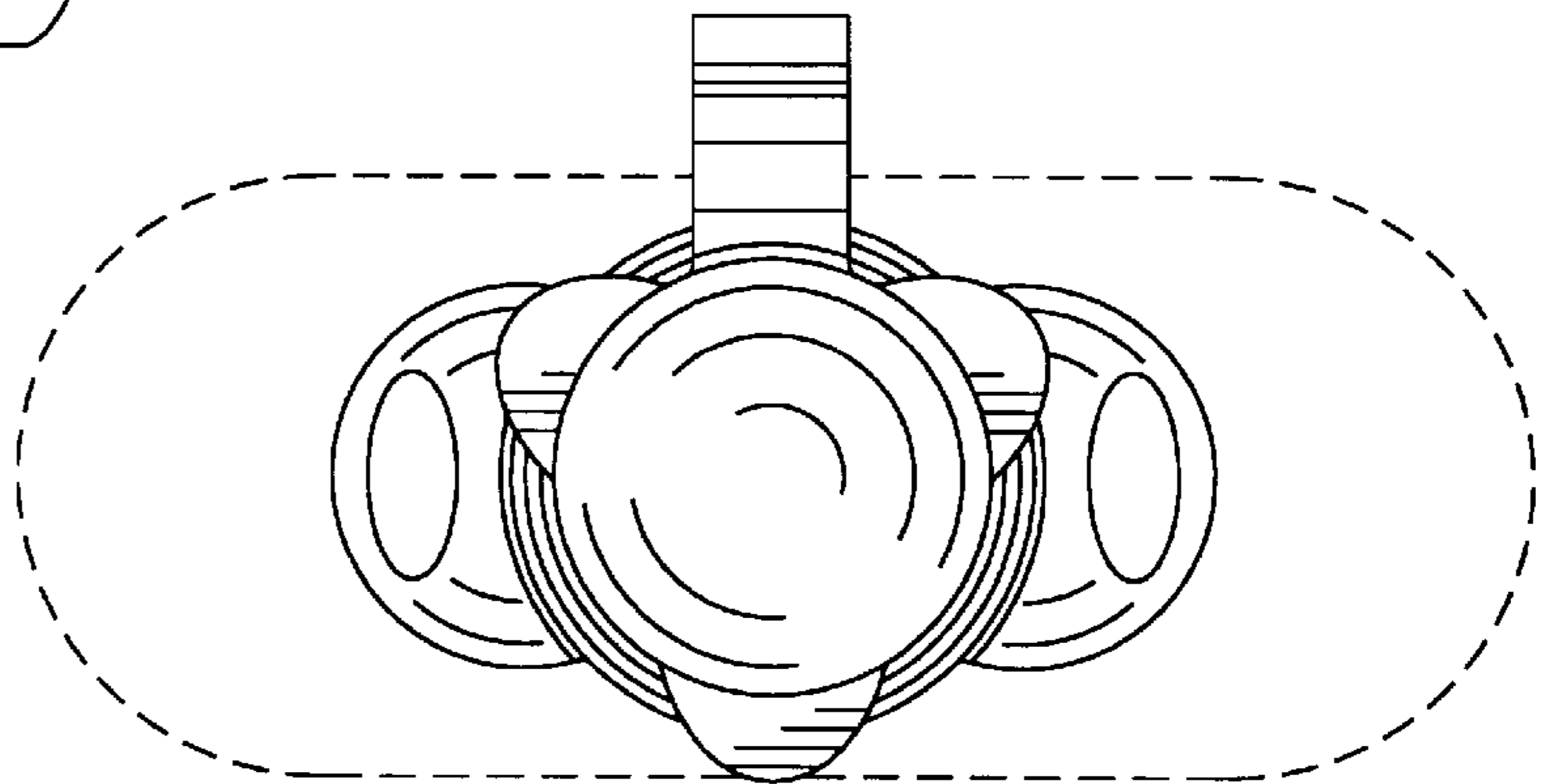


FIG. 6

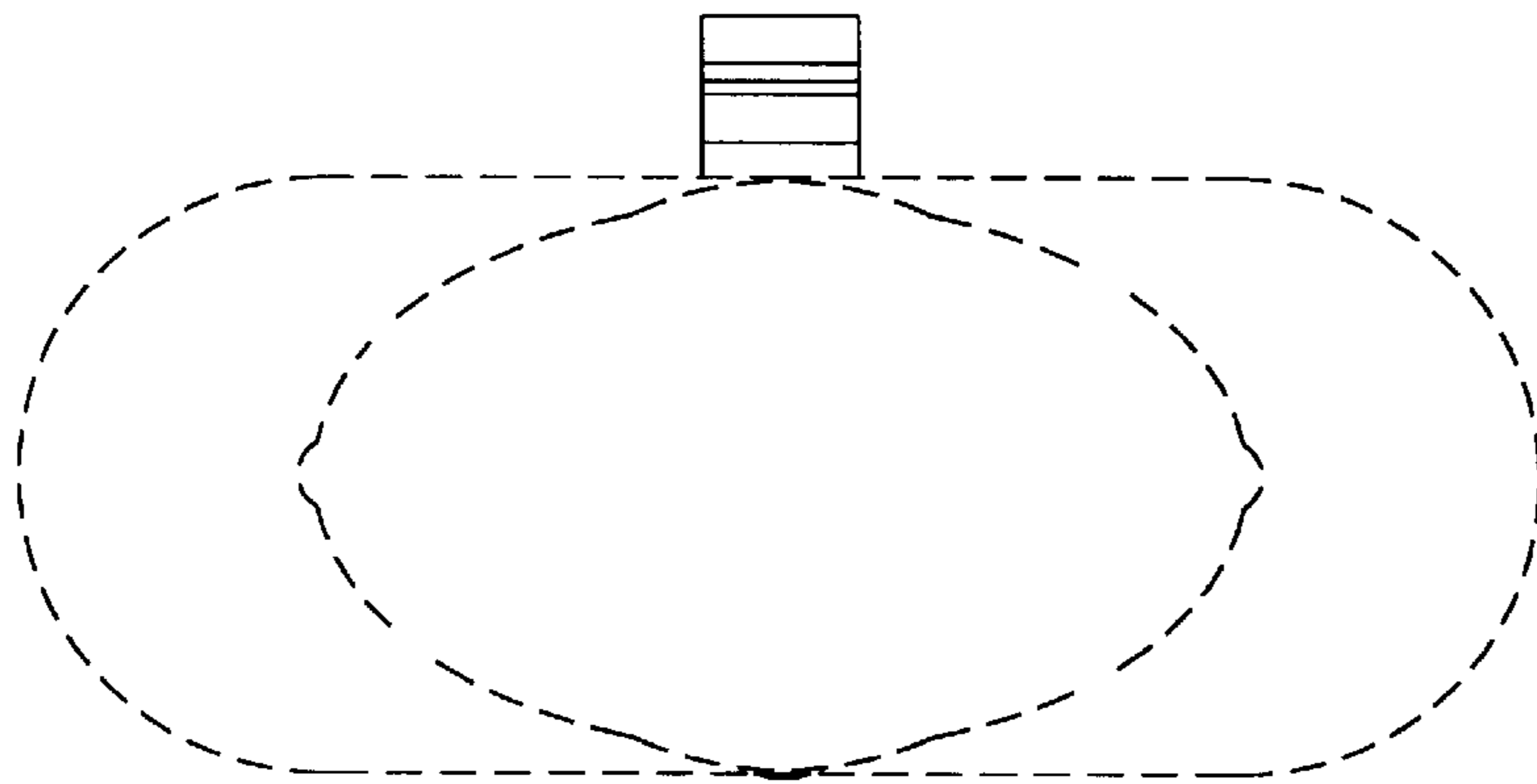


FIG. 7