



US00D417337S

United States Patent [19] Pinto

[11] Patent Number: **Des. 417,337**
[45] Date of Patent: **** Dec. 7, 1999**

[54] MULTI-LAYERED JEWELRY BOX

DESCRIPTION

[76] Inventor: **Robert N. Pinto**, 44 Elm Tree Rd., Glastonbury, Conn. 06033

[**] Term: **14 Years**

[21] Appl. No.: **29/096,951**

[22] Filed: **Nov. 24, 1998**

[51] LOC (6) Cl. **03-01**

[52] U.S. Cl. **D3/273; D3/302**

[58] Field of Search D3/273, 302, 903, D3/295; D9/424, 425; 206/495, 508, 6.1, 503, 509, 566; D7/502

FIG. 1 is a front elevational view of a multi-layered jewelry box, showing my new design, the rear view being a mirror image thereof;

FIG. 2 is a top plan view of the multi-layered jewelry box shown in FIGS. 1 and 7;

FIG. 3 is a bottom plan view of the multi-layered jewelry box shown in FIGS. 1 and 7;

FIG. 4 is a right side elevational view of the multi-layered jewelry box, the left side view being a mirror image thereof;

FIG. 5 is an enlarged view of the finger grip appearing on each layer of the multi-layered jewelry box shown in FIGS. 1 and 7;

FIG. 6 is a top plan view of a modified embodiment of the multi-layered jewelry box shown in FIGS. 1 and 7;

FIG. 7 is a front elevational view of a second modified embodiment of the multi-layered jewelry box, the rear view being a mirror image thereof;

FIG. 8 is a perspective view of the multi-layered jewelry box of FIG. 1 shown in the open position as seen from the top and right side; and,

FIG. 9 is a right side elevational view of the modified embodiment of the multi-layered jewelry box of FIG. 7, the left side view being a mirror image thereof.

The broken lines showing the initials "RNP" in FIG. 2, the name "PINTO™" in FIG. 3, and the two wristwatch cradles in FIG. 8, are for illustrative purposes only and form no part of the claimed design.

[56] References Cited

U.S. PATENT DOCUMENTS

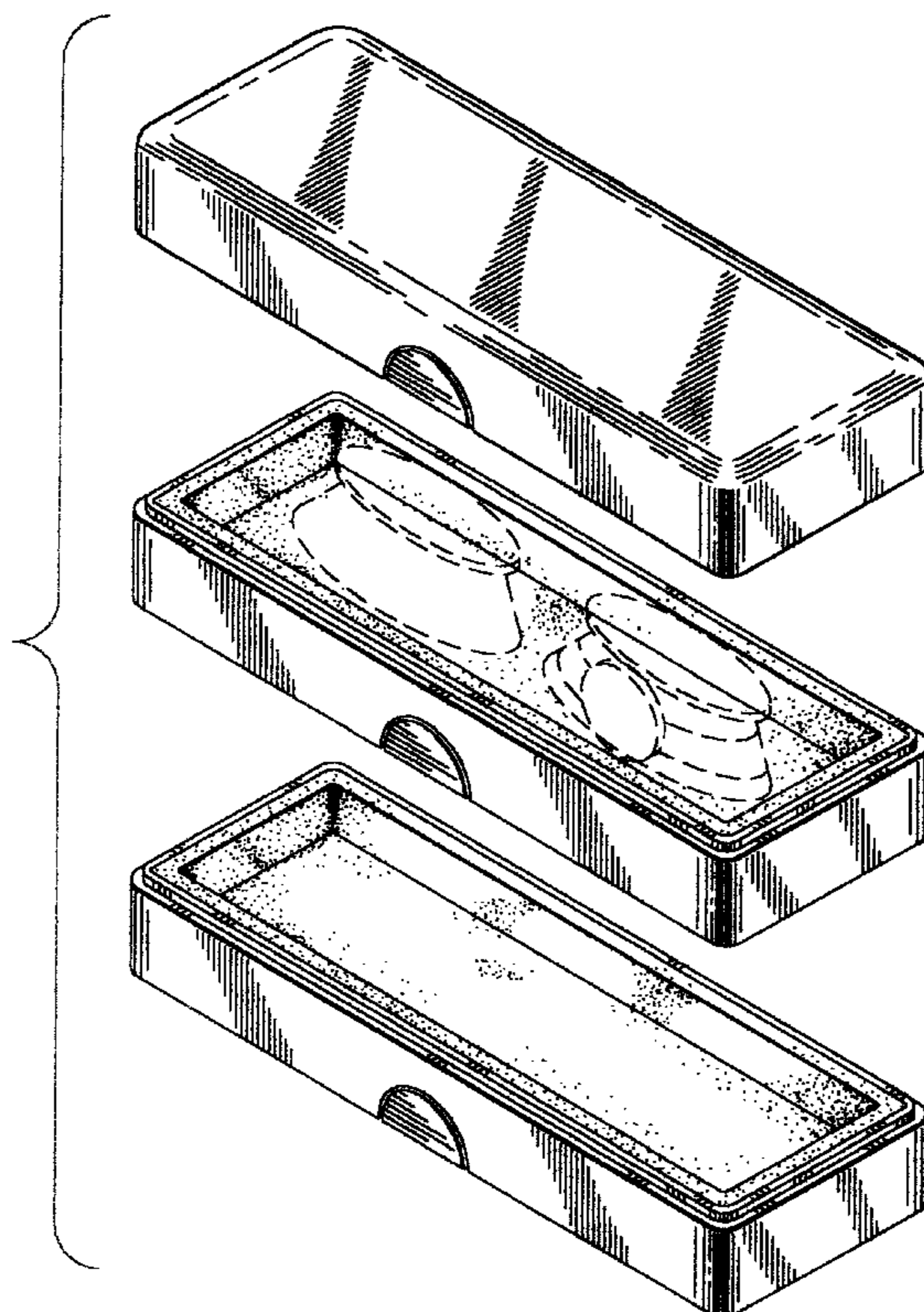
D. 261,214	10/1981	Oelzner	D7/502
D. 266,115	9/1982	Glenn, Sr. et al.	D3/295
D. 317,380	6/1991	Snyder	D3/295
D. 321,284	11/1991	Marsella et al.	D3/295
D. 328,671	8/1992	Edgett	D3/295
D. 335,768	5/1993	Romo	D3/295
5,035,319	7/1991	Kunisch	206/6.1
5,069,332	12/1991	Williams et al.	206/6.1
5,505,294	4/1996	Kilmartin, III et al.	206/6.1

Primary Examiner—Philip S. Hyder
Attorney, Agent, or Firm—Law Offices of Kenneth F. Dusyn; Kenneth F. Dusyn

[57] CLAIM

The ornamental design for a multi-layered jewelry box, as shown and described.

1 Claim, 4 Drawing Sheets



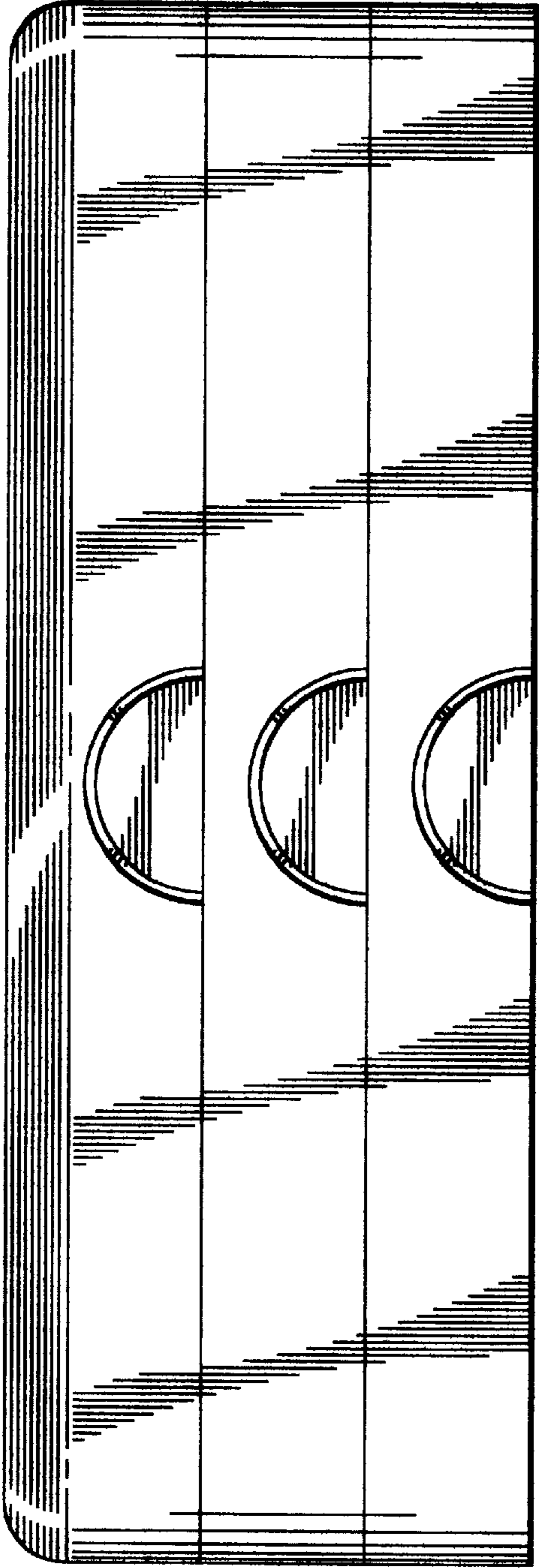


FIG. 1

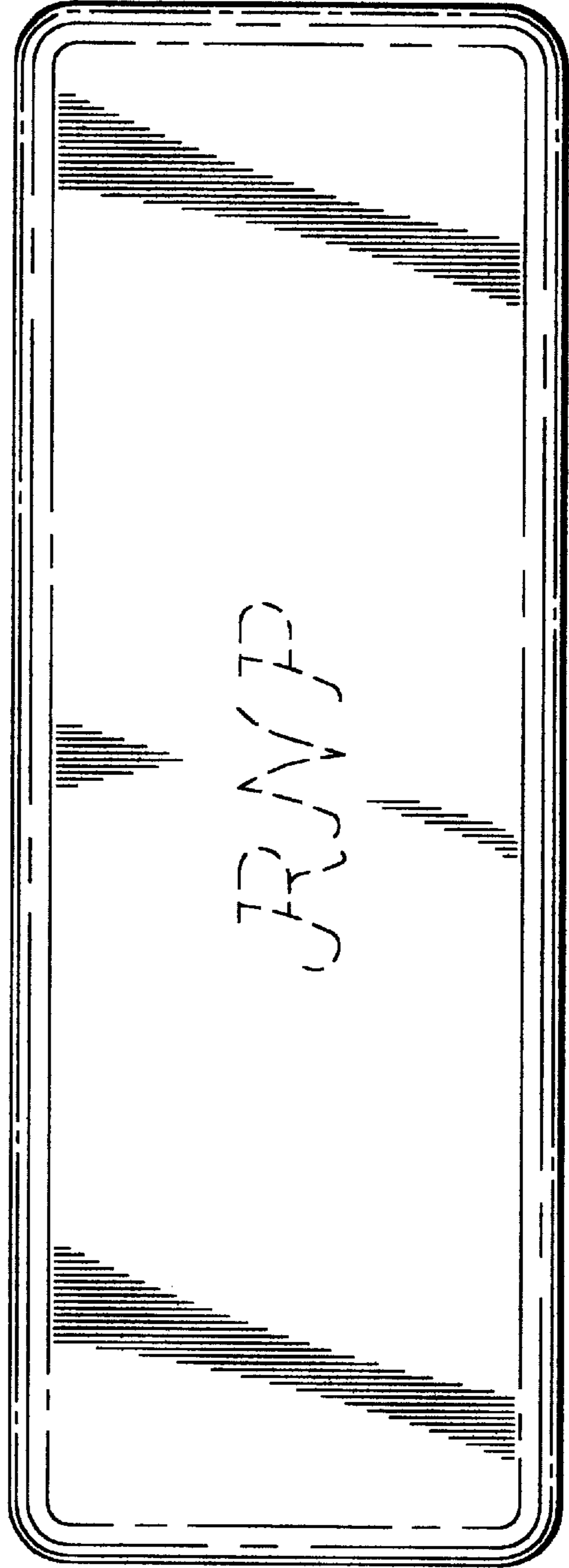


FIG. 2

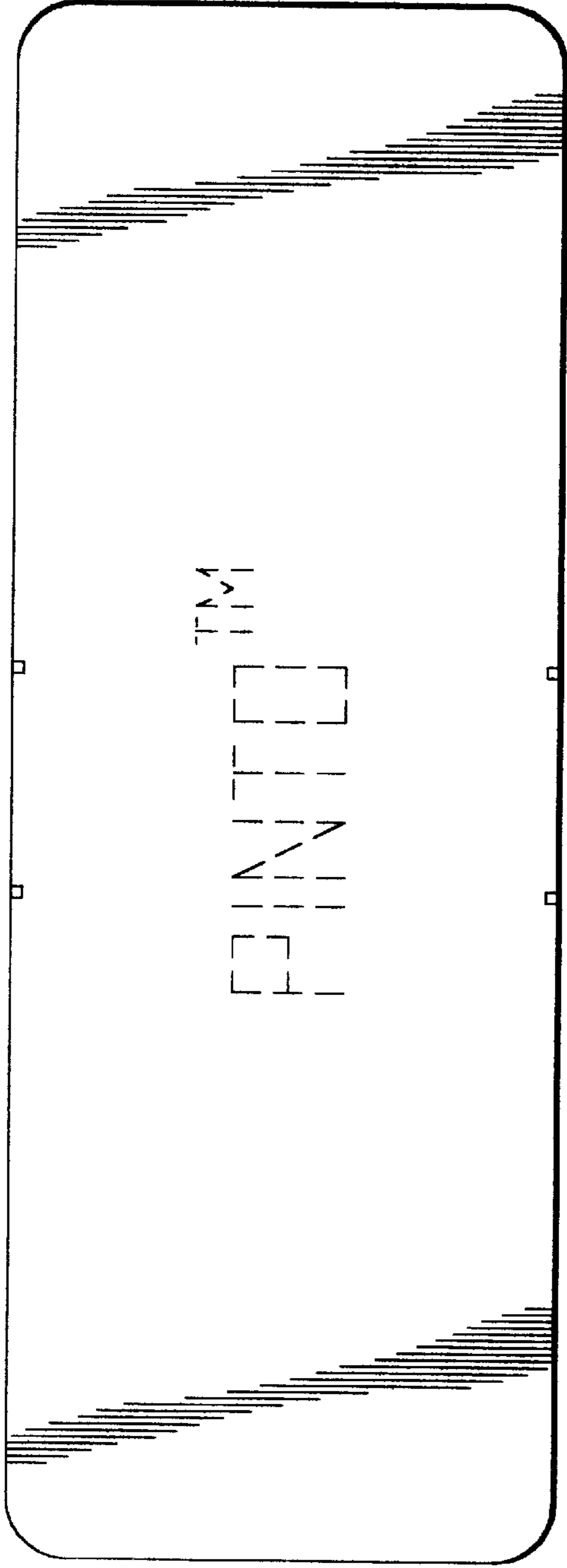


FIG. 3

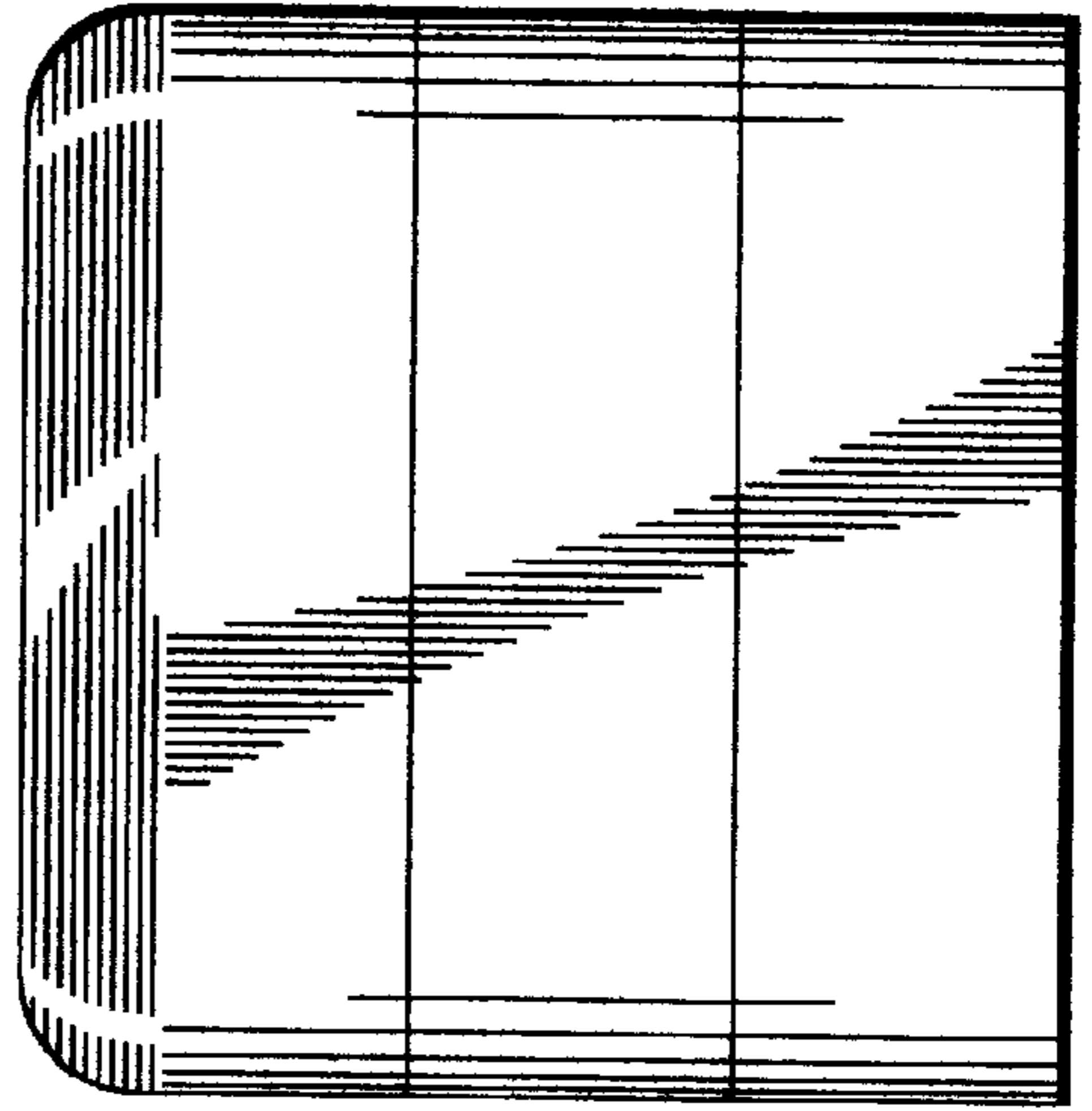


FIG. 4

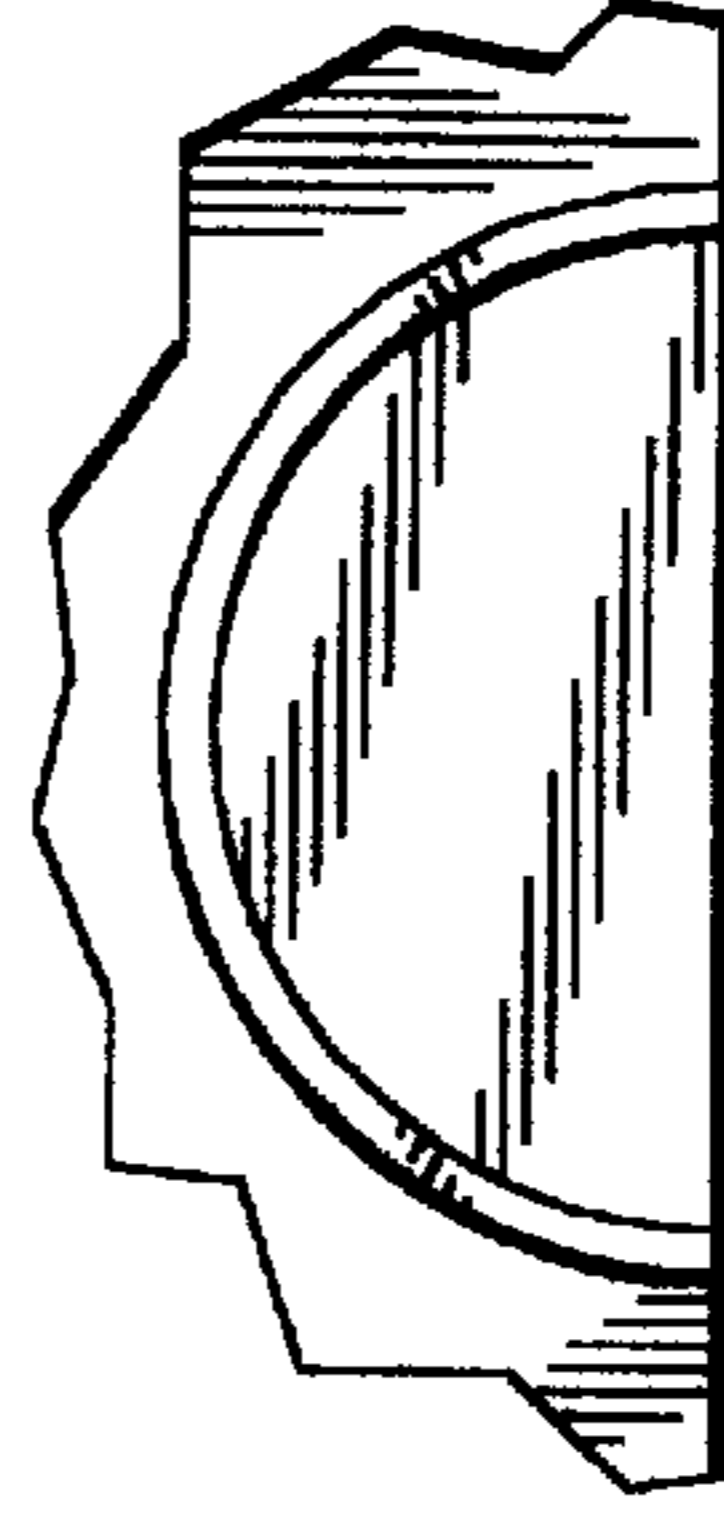


FIG. 5

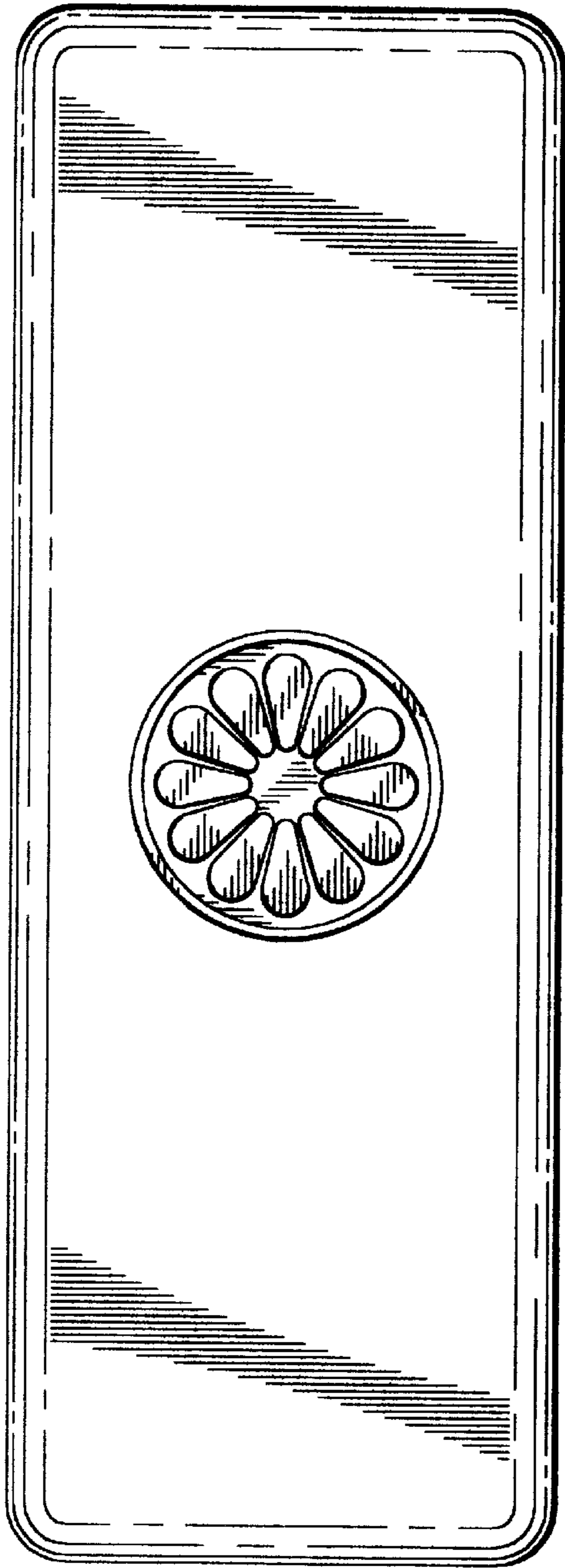


FIG. 6

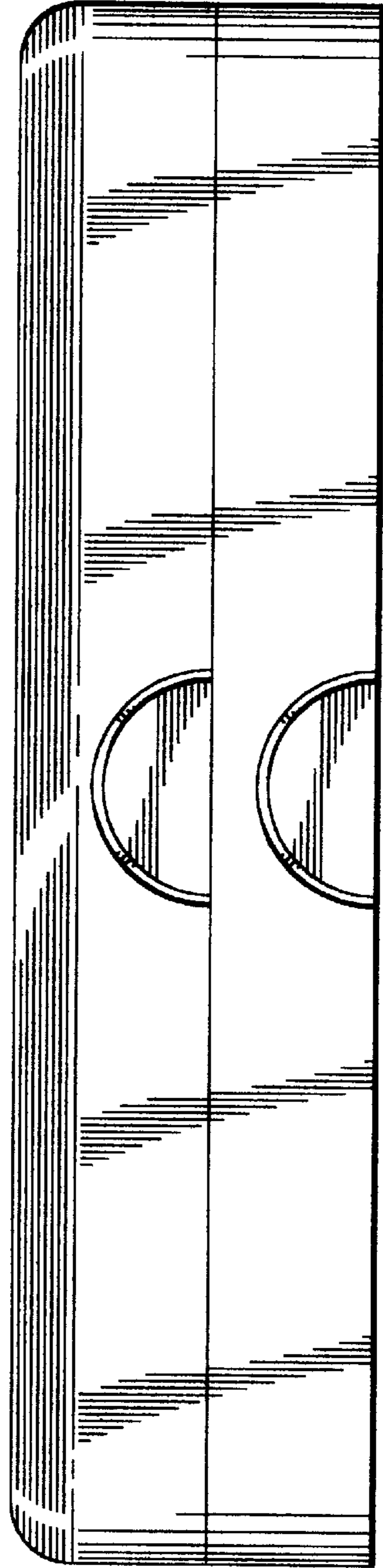


FIG. 7

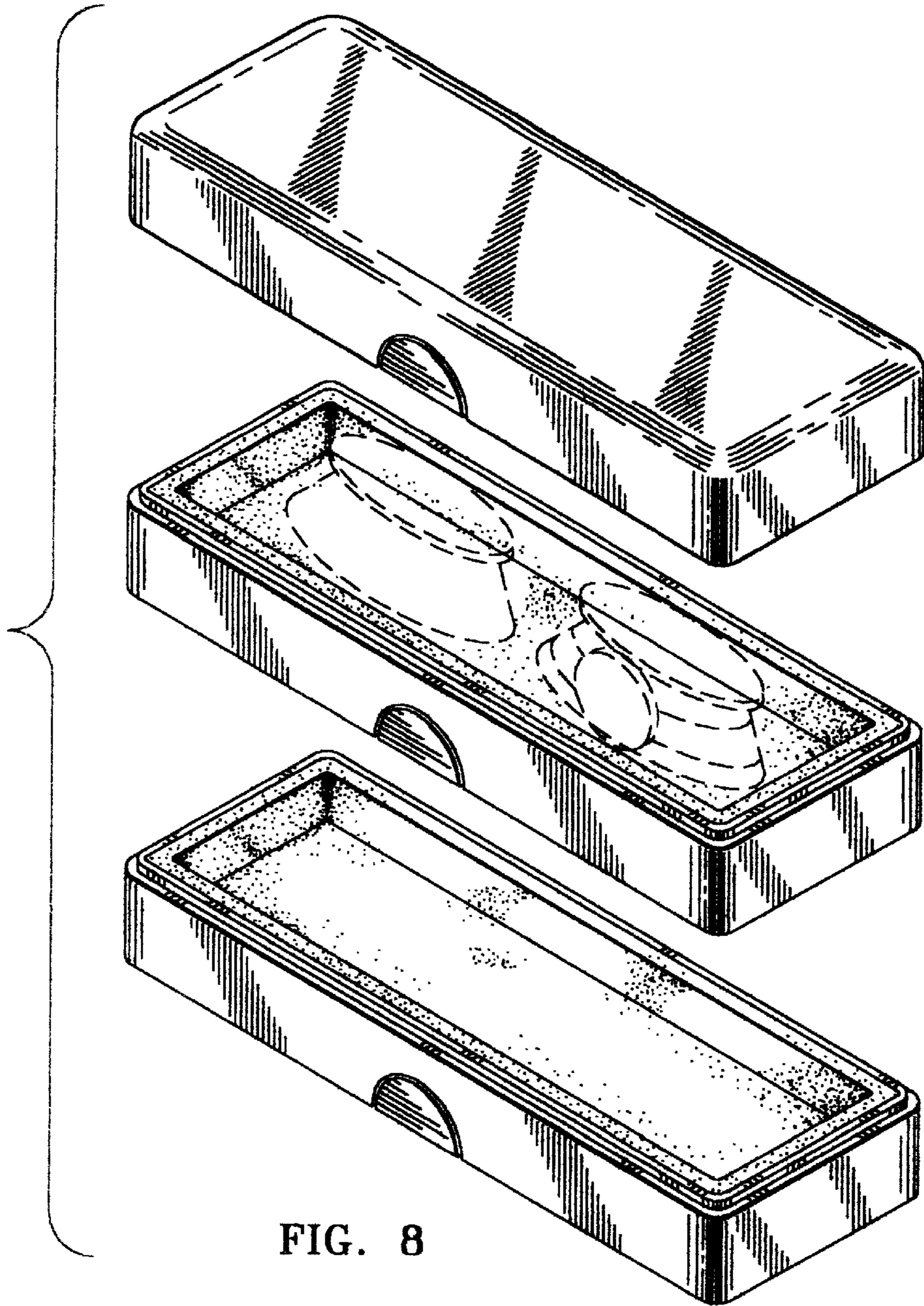


FIG. 8

FIG. 9

