



US00D417334S

# United States Patent [19] Wands

[11] Patent Number: Des. 417,334

[45] Date of Patent: \*\* Dec. 7, 1999

[54] CAP WITH SANDWICH STYLE VISOR

[75] Inventor: Steve Wands, Rolla, Mo.

[73] Assignee: Paramount Headwear, Inc., Bourbon, Mo.

[\*\*] Term: 14 Years

[21] Appl. No.: 29/087,283

[22] Filed: Apr. 30, 1998

[51] LOC (6) Cl. .... 02-03

[52] U.S. Cl. .... D2/893

[58] Field of Search ..... D2/865, 866, 868, D2/869, 872, 873, 876, 879, 882, 886, 893; 2/171, 181, 195.1, 10, 209.12

[56] **References Cited**

U.S. PATENT DOCUMENTS

D. 156,408	12/1949	Cohn .	
D. 169,968	7/1953	Feldman .	
D. 258,323	2/1981	Lewis .	
D. 267,285	12/1982	Lipschutz .	
D. 273,436	4/1984	Lipschutz .	
D. 284,328	6/1986	Bieber .	
D. 321,274	11/1991	Hur .	
D. 349,596	8/1994	Booth .	
D. 384,190	9/1997	Kellogg .....	D2/865
911,432	2/1909	Pachner .	
1,190,427	7/1916	Kromer, Jr. .	
1,610,745	12/1926	Castanaro .....	2/195.1
1,807,180	5/1931	Solomon .....	2/209.12

2,735,109	2/1956	Feldman .	
4,386,437	6/1983	Fosher .....	2/195.1
4,793,006	12/1988	Dawson .	
5,075,898	12/1991	Bedient .	
5,197,150	3/1993	Bedient .	
5,343,568	9/1994	May .	
5,689,830	11/1997	Pflum .	
5,701,607	12/1997	Kaiser .	

Primary Examiner—Paula A. Mortimer  
Attorney, Agent, or Firm—Blackwell Sanders Peper Martin

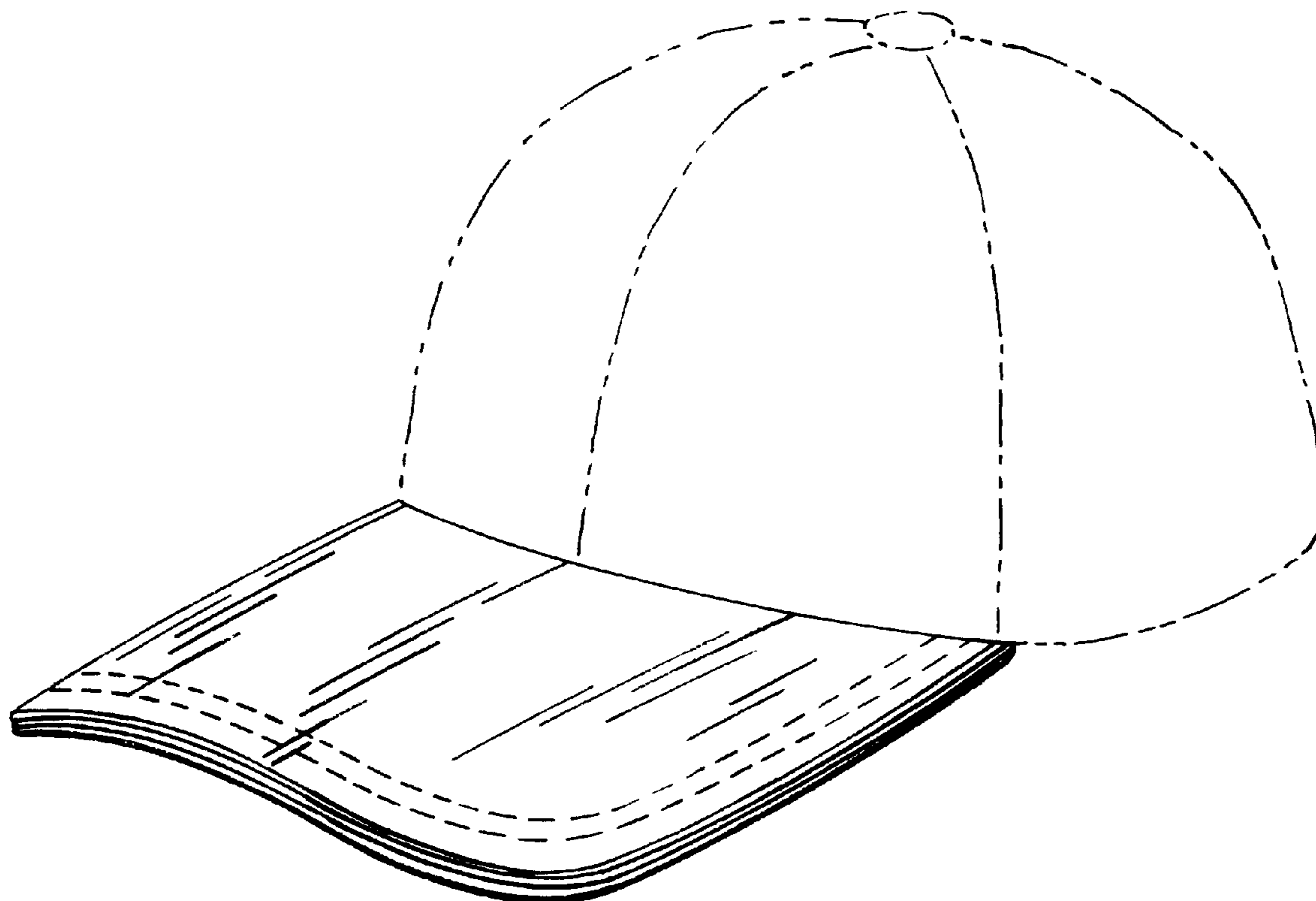
[57] **CLAIM**

The ornamental design for a cap with sandwich style visor, as shown and described.

**DESCRIPTION**

FIG. 1 is an upper, front perspective view of a cap with sandwich style visor in accordance with my new design; FIG. 2 is a bottom, front perspective view thereof; FIG. 3 is a top plan view thereof; FIG. 4 is a bottom plan view thereof; FIG. 5 is a side elevational view thereof; the opposite side being a mirror image; and FIG. 6 is a front elevational view thereof; and, FIG. 7 is an enlargement of FIG. 6, without the broken lines. The broken line showing is for illustrative purposes only and forms no part of the claimed design. The unique feature of the claimed design is embodied in the visor portion, which, viewed from the side or front, is seen to have three layers, with only the edge of the middle layer visible between the upper and lower layers, in the nature of a sandwich.

1 Claim, 3 Drawing Sheets



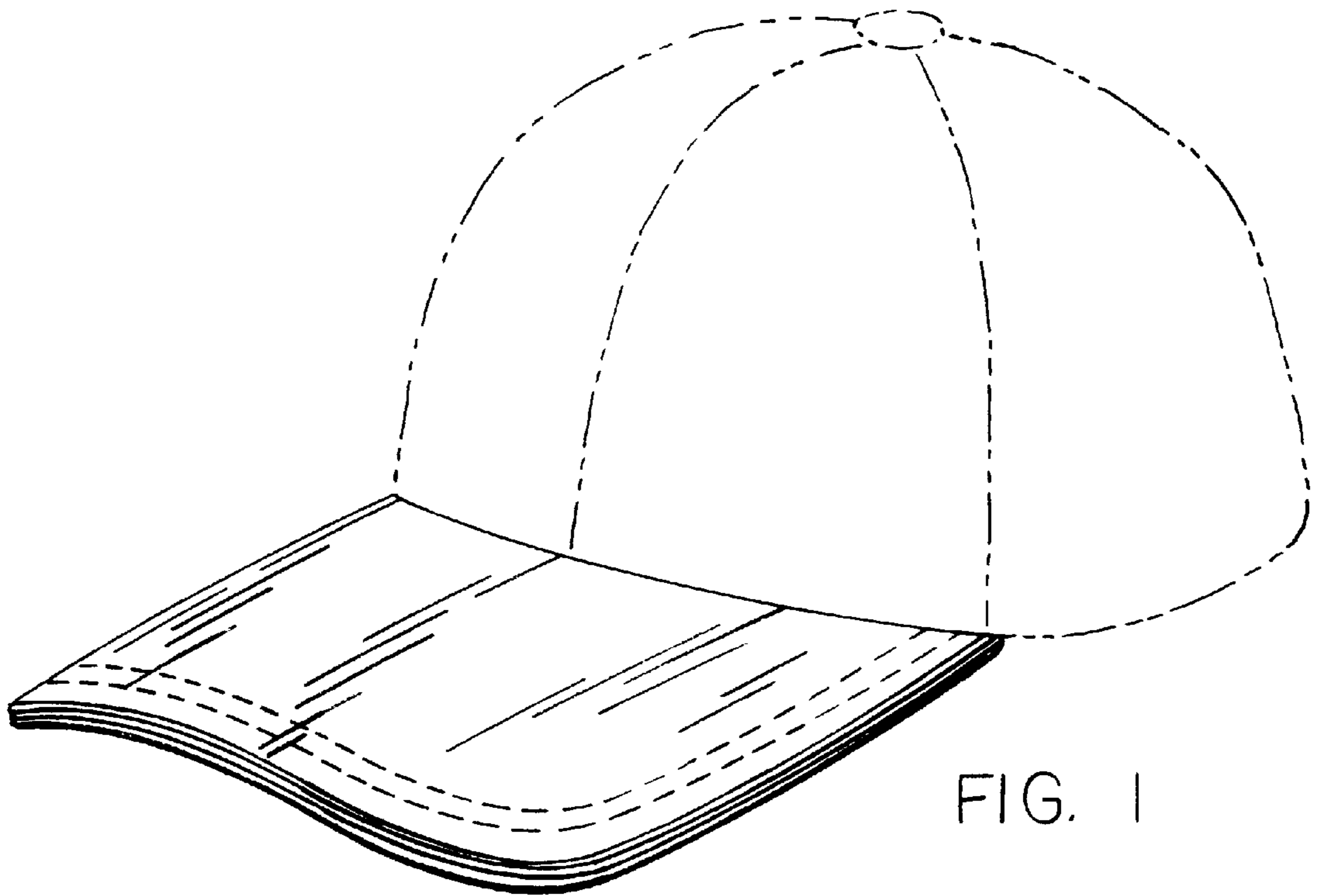


FIG. 1

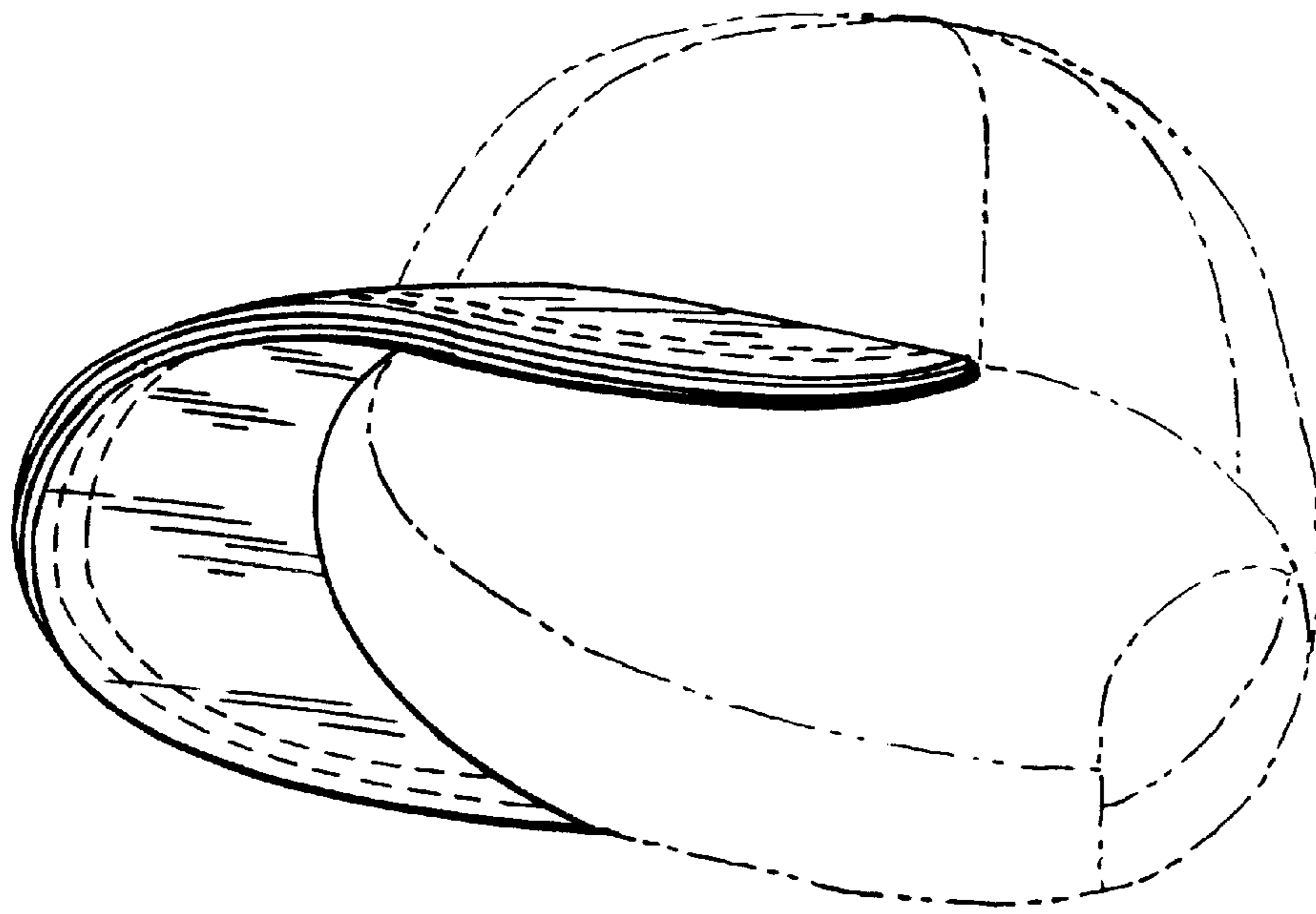


FIG. 2

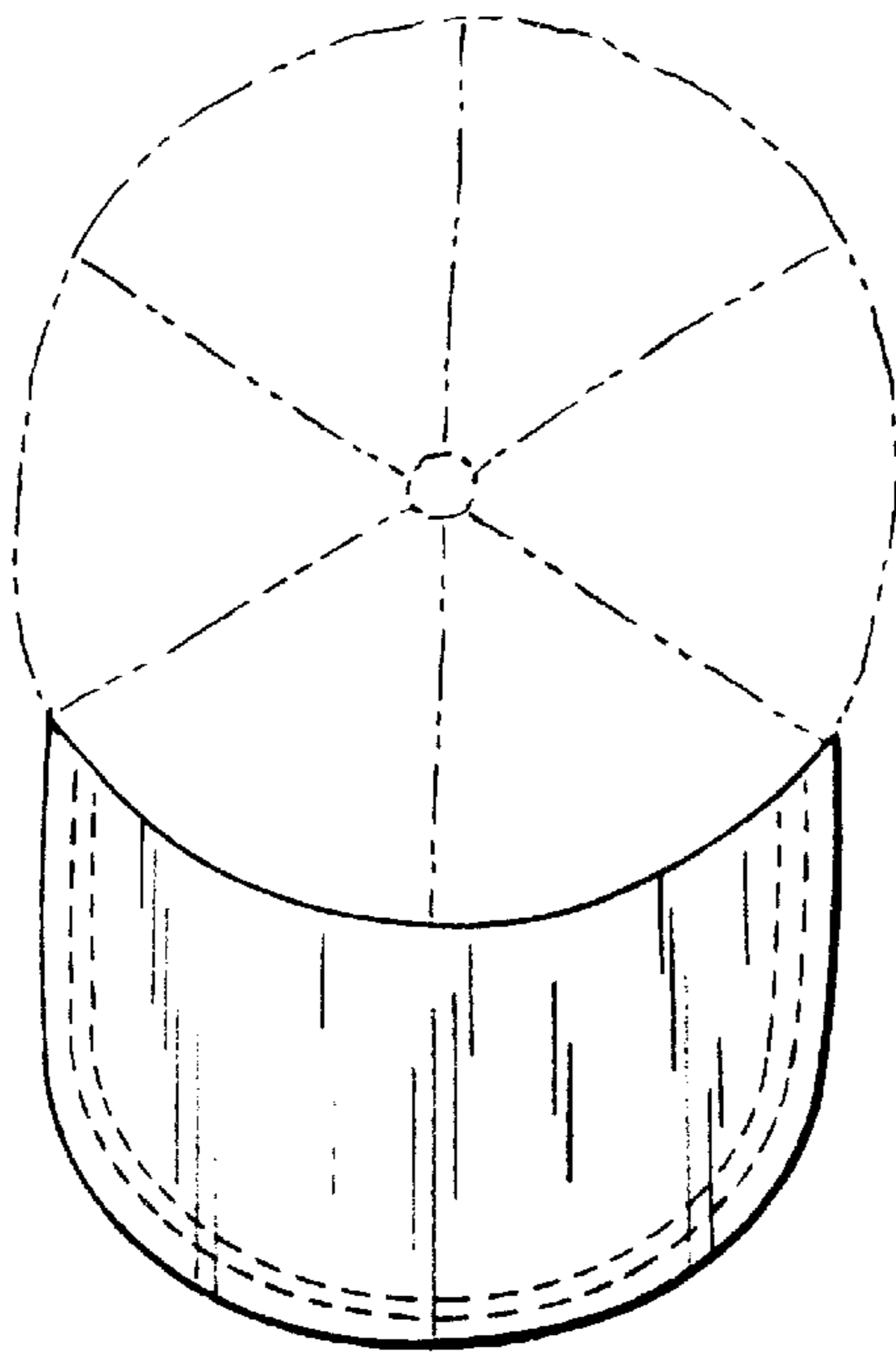


FIG. 3

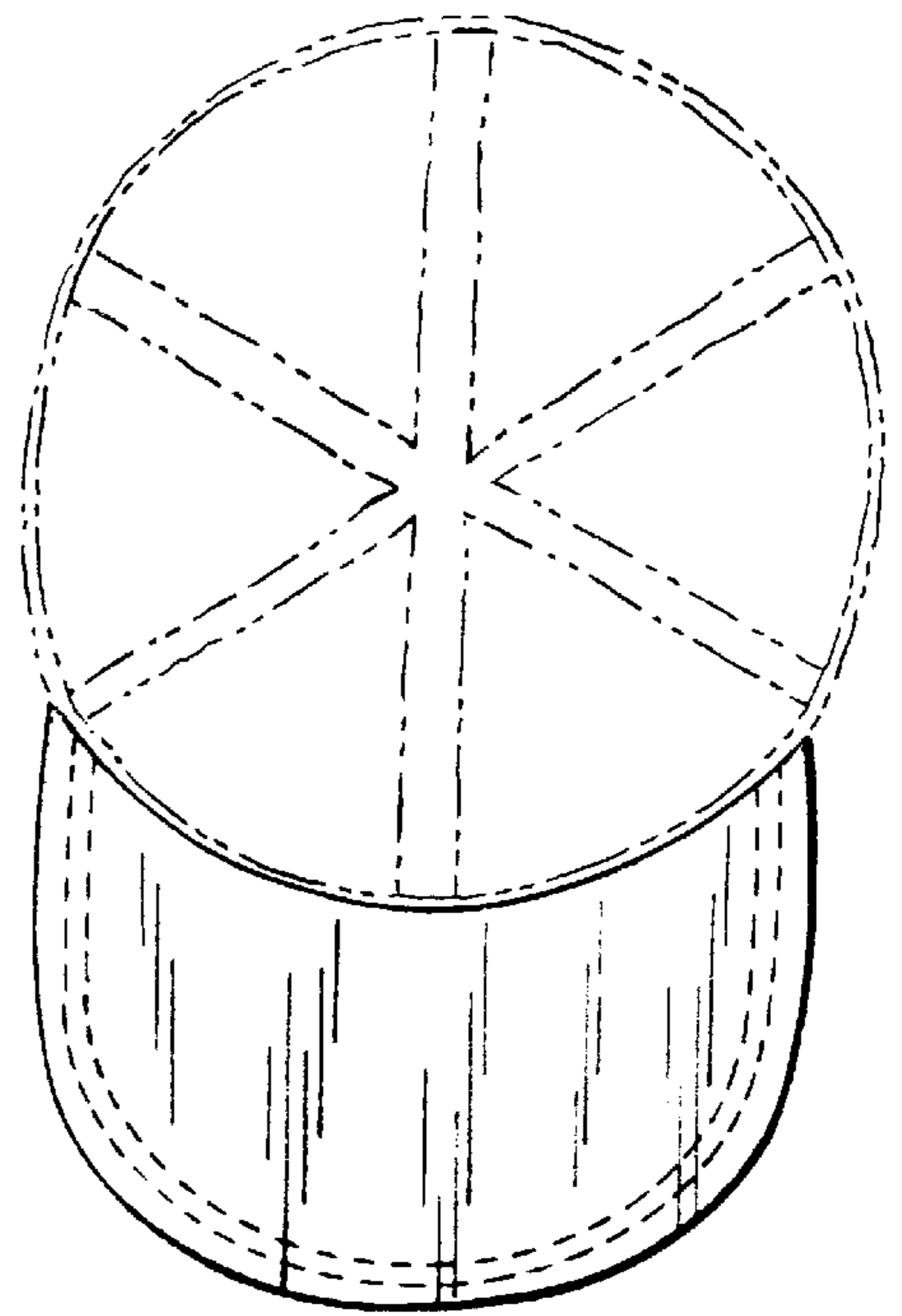


FIG. 4

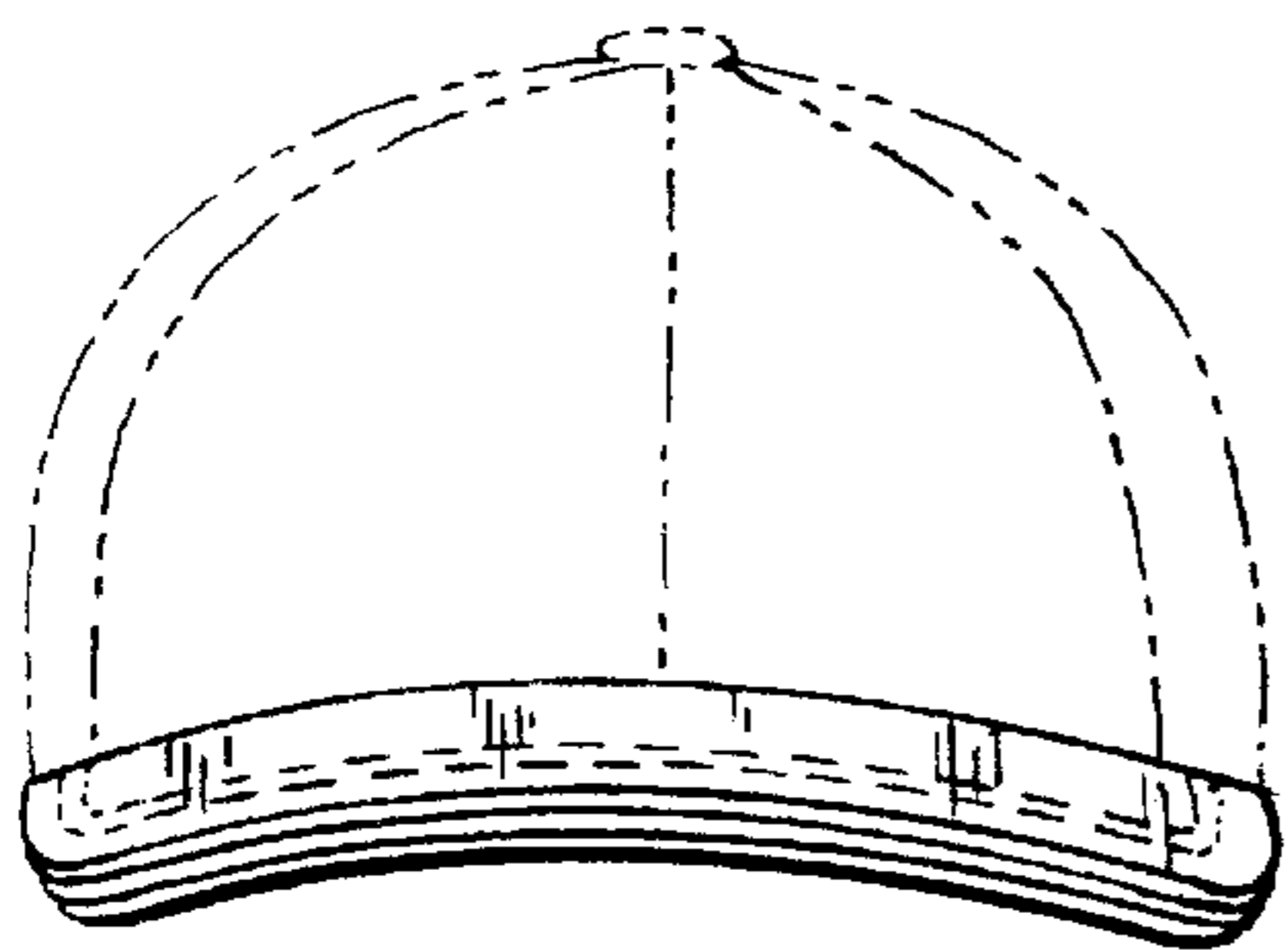


FIG. 6

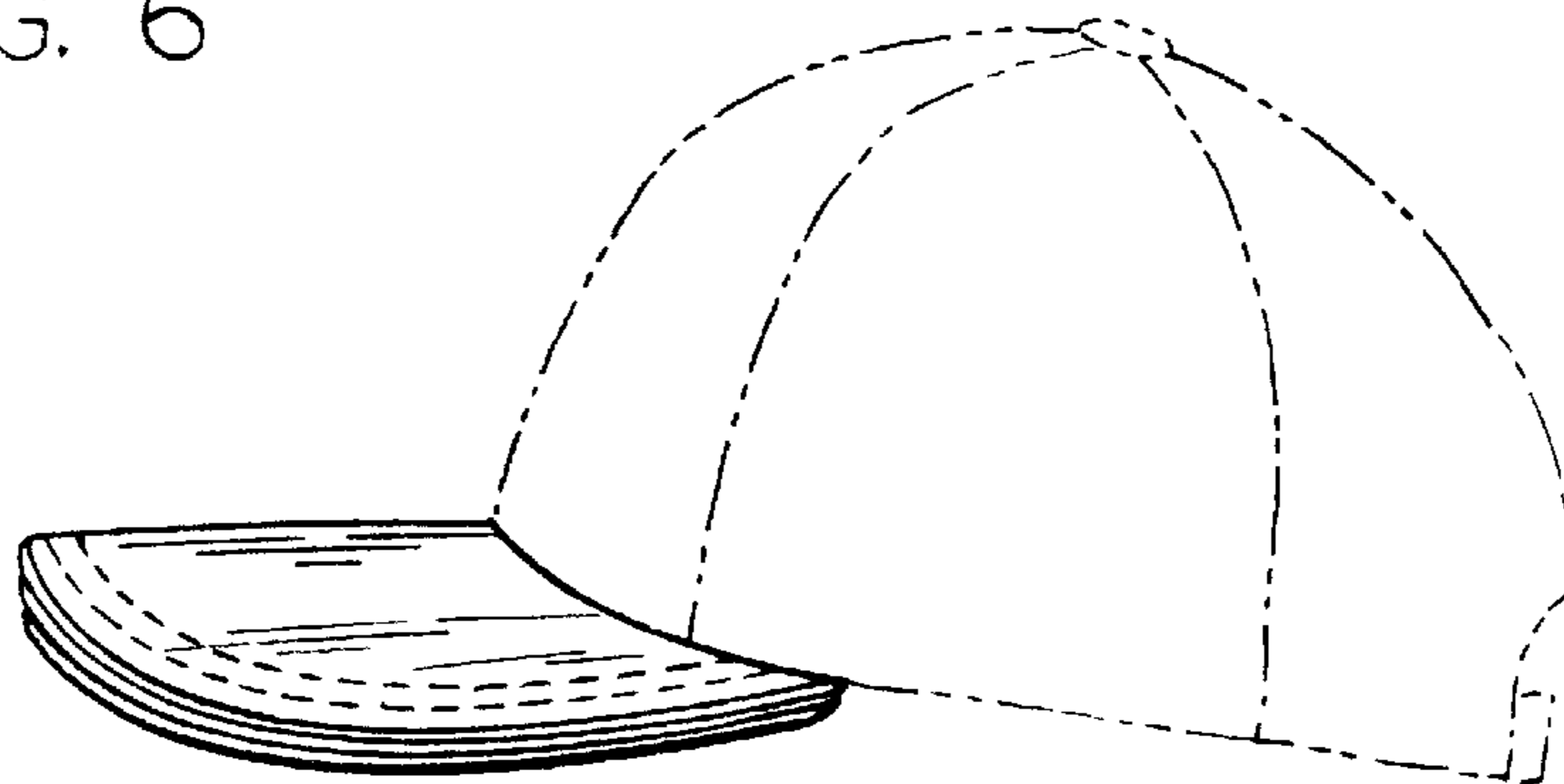


FIG. 5

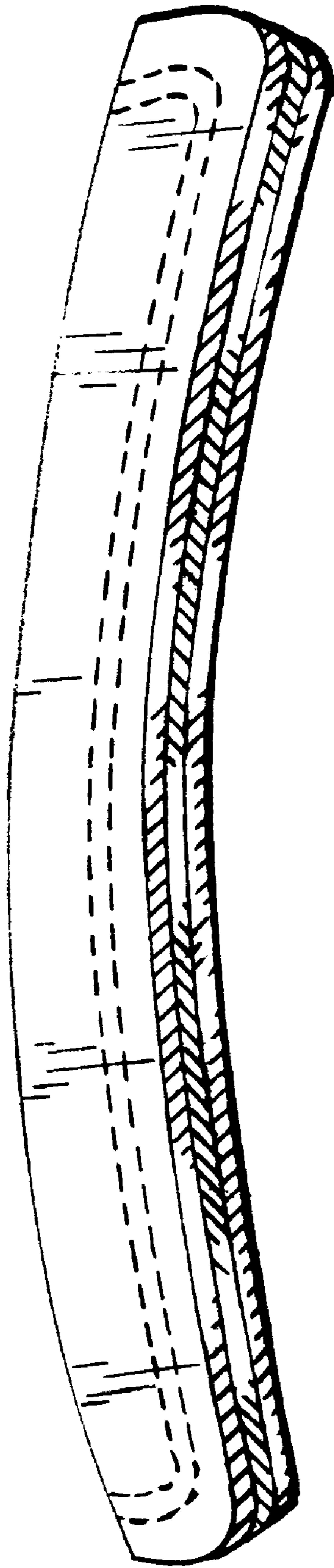


FIG. 7