



US00D417330S

# United States Patent [19] Kim

[11] Patent Number: Des. 417,330

[45] Date of Patent: \*\* Nov. 30, 1999

[54] EUCHARIST TABLE

[76] Inventor: **Hyung Dae Kim**, 106-1003, Jayoo Apt,  
25-1, Wooam-Dong, Nam-Ku, Pusan,  
Rep. of Korea, 608-060

[\*\*] Term: **14 Years**

[21] Appl. No.: **29/095,060**

[22] Filed: **Oct. 15, 1998**

[51] LOC (6) Cl. .... **01-34**

[52] U.S. Cl. .... **D99/25**

[58] Field of Search ..... D99/25; D11/122,  
D11/130; D7/553.5, 539; D6/403, 406.1,  
406.3, 413, 416; 206/1.5, 438, 562

[56] **References Cited**

**U.S. PATENT DOCUMENTS**

D. 138,433	8/1944	Lindblad	.....	D99/25
D. 238,329	1/1976	Davis	.....	D99/25
D. 242,201	11/1976	Davis	.....	D99/25
D. 242,202	11/1976	Davis	.....	D99/25

D. 349,615	8/1994	McLaughlin	.....	D6/403
D. 399,788	10/1998	Wagner	.....	D6/403 X
D. 401,734	11/1998	Monk	.....	D99/25
3,949,930	4/1976	Giordano	.....	206/438
4,053,099	10/1977	Lock	.....	206/438
5,538,134	7/1996	Pitesky	.....	206/438

*Primary Examiner*—Paula A. Mortimer  
*Attorney, Agent, or Firm*—Darby & Darby

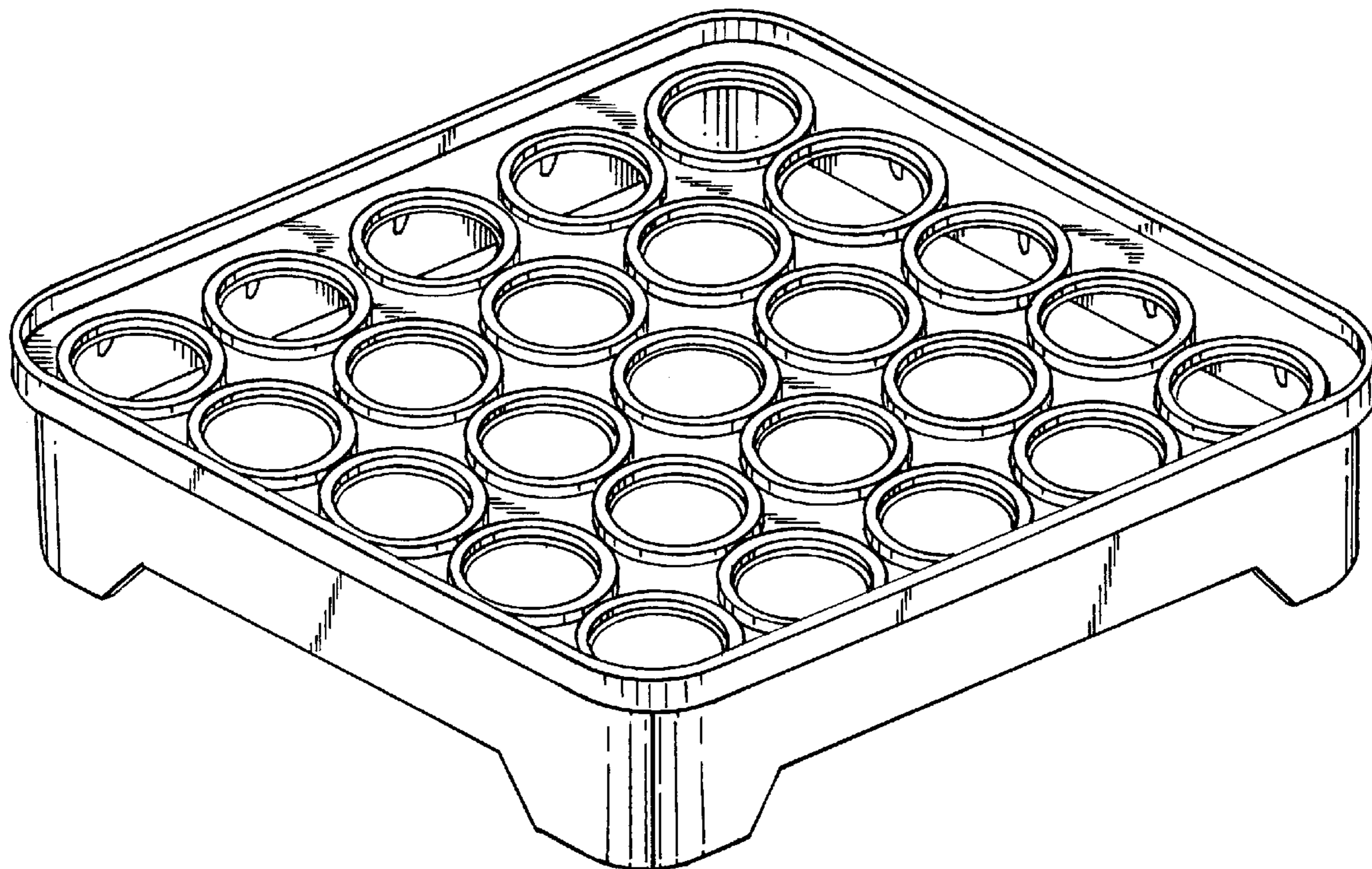
[57] **CLAIM**

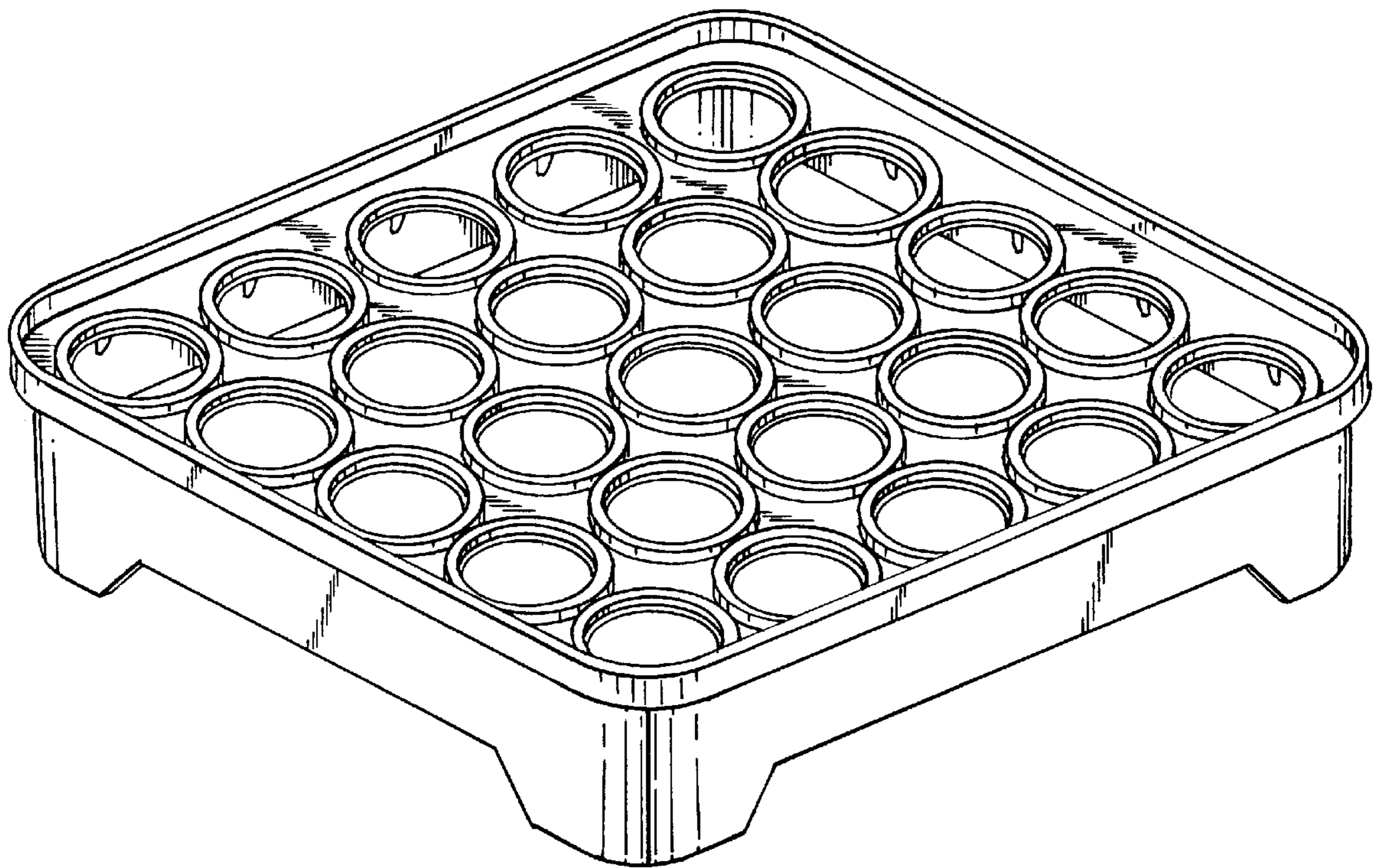
The ornamental design for a eucharist table, as shown and described.

**DESCRIPTION**

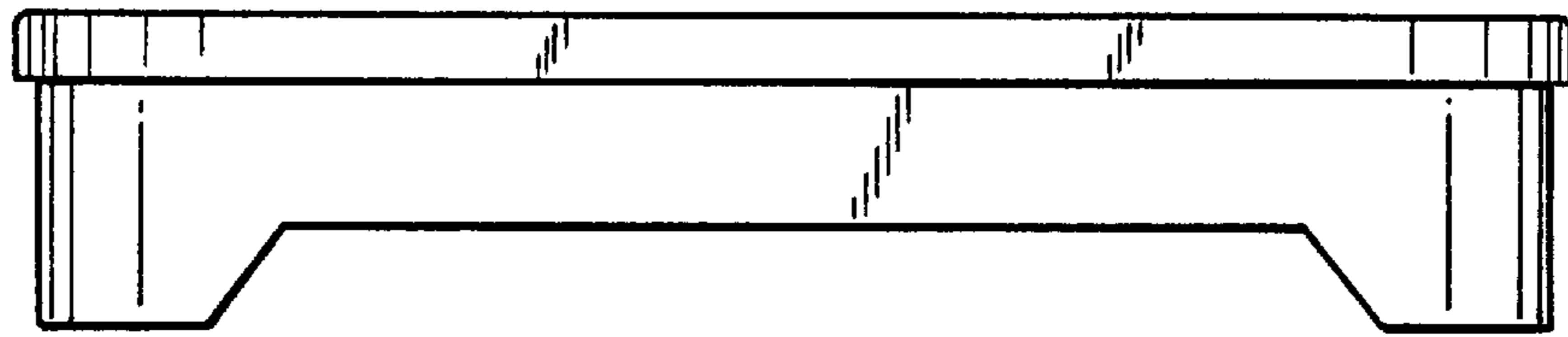
FIG. 1 is a front perspective view of a eucharist table showing my new design;  
FIG. 2 is a front elevational view thereof, the rear and side views are mirror images;  
FIG. 3 is a top plan view thereof;  
FIG. 4 is a bottom view thereof; and,  
FIG. 5 is a cross-sectional view thereof along line A—A' in FIG. 3.

**1 Claim, 3 Drawing Sheets**

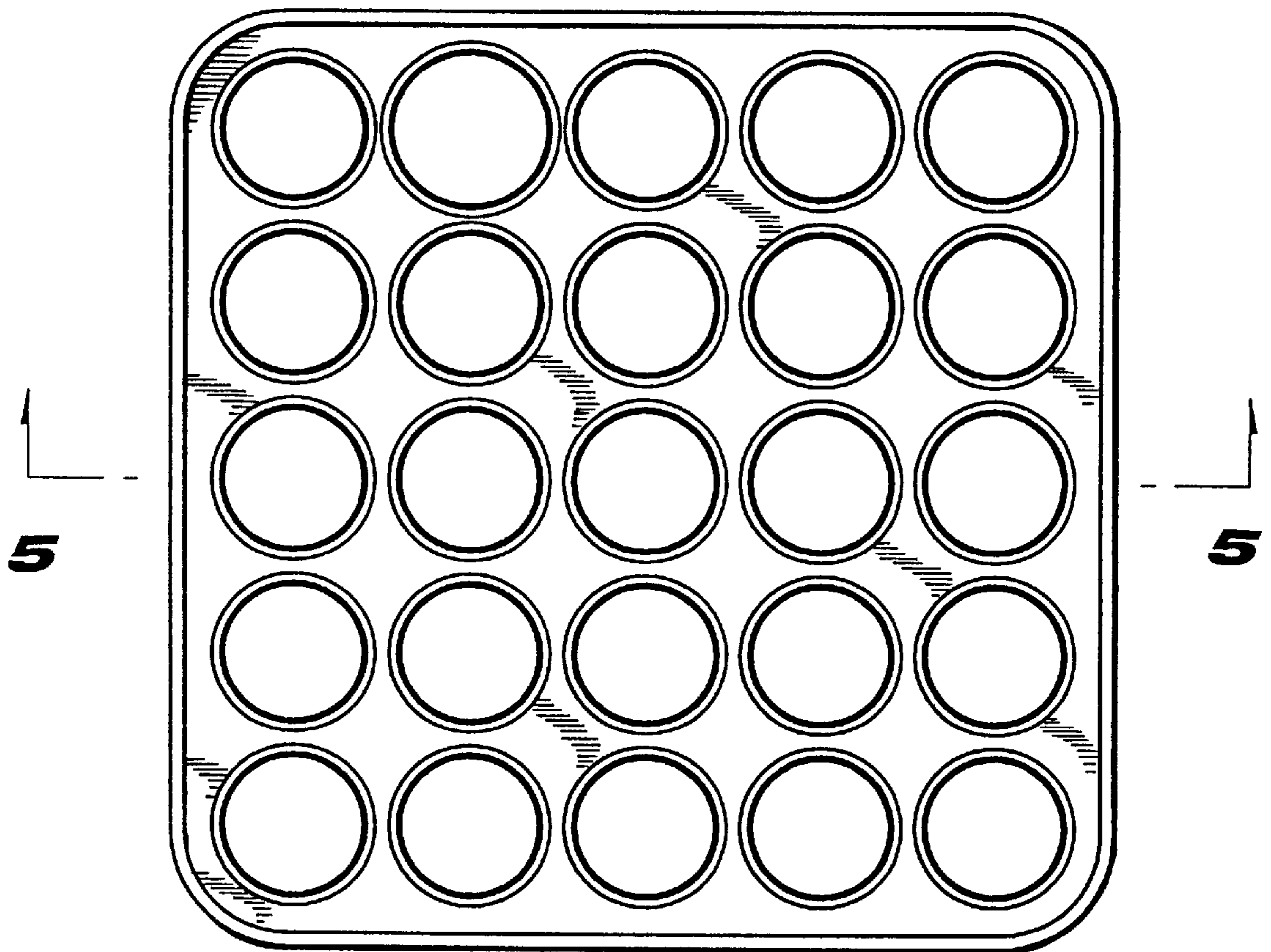




***Fig. 1***

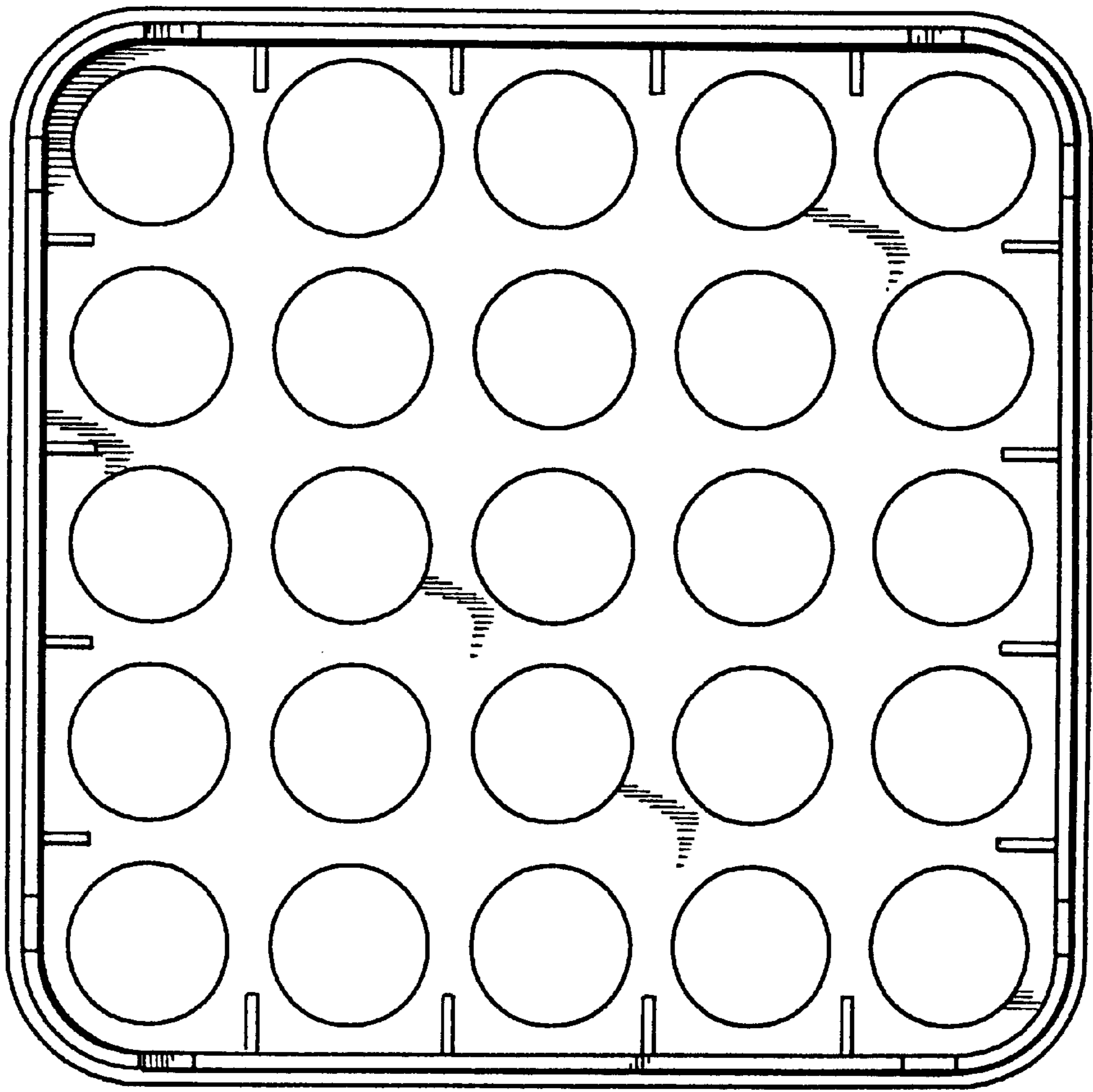


**Fig. 2**

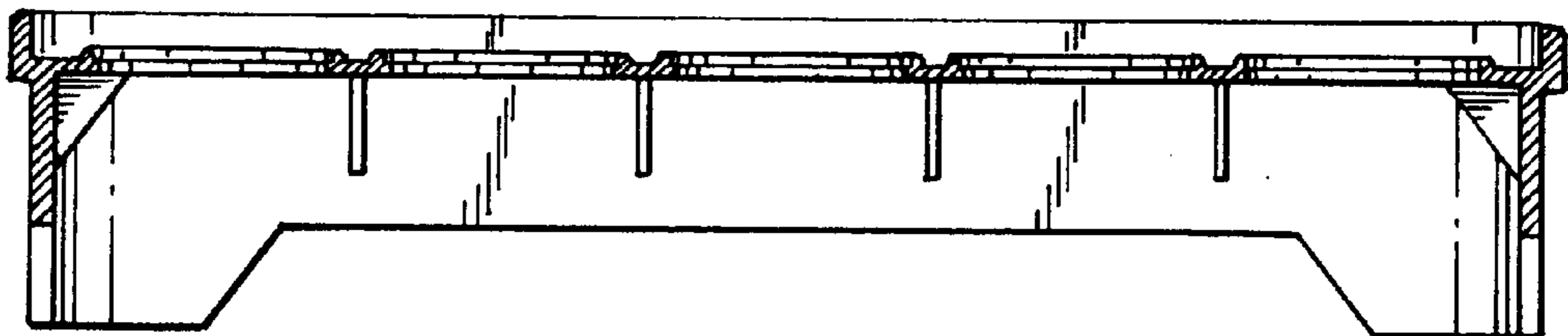


**Fig. 3**





**Fig. 4**



**Fig. 5**